



US00D336870S

United States Patent [19]

[11] Patent Number: **Des. 336,870**

Thacker

[45] Date of Patent: **** Jun. 29, 1993**

[54] **HAY WAGON HAVING FRONT AND REAR EXTENSIONS FOR SUPPORTING FEED OR WATERING CONTAINERS**

1,879,299 9/1932 Kehl 296/7
2,468,579 4/1949 Vuori 296/26
4,067,298 10/1978 Jones et al. D12/105

[76] Inventor: **Henry L. Thacker**, 14050 Waterworks Rd., Smithfield, Va. 23430

Primary Examiner—Wallace R. Burke
Assistant Examiner—Melody Brown
Attorney, Agent, or Firm—Norman B. Rainer

[**] Term: **14 Years**

[57] **CLAIM**

[21] Appl. No.: **754,121**

The ornamental design for a hay wagon having front and rear extensions for supporting feed or watering containers, as shown and described.

[22] Filed: **Sep. 3, 1991**

[52] U.S. Cl. **D12/101**

DESCRIPTION

[58] Field of Search D12/101, 105; 296/6, 296/7, 10, 180

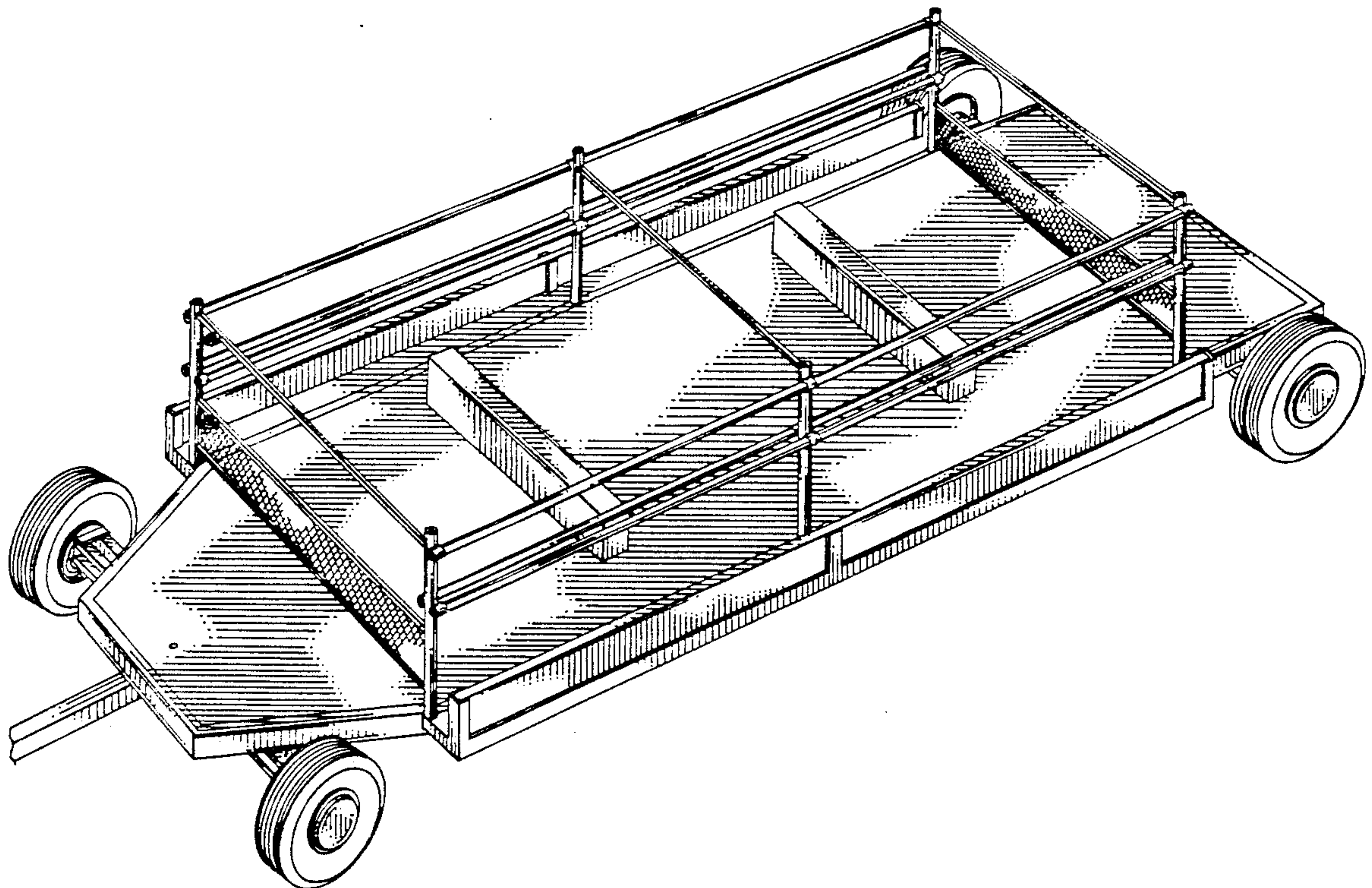
FIG. 1 is a front and top perspective view of the hay wagon having front and rear extensions for supporting feed or watering containers showing my new design; FIG. 2 is a front view thereof; FIG. 3 is a rear view thereof; FIG. 4 is a side view thereof; and, FIG. 5 is a top plan view thereof.

[56] **References Cited**

U.S. PATENT DOCUMENTS

D. 295,272 4/1988 Specht D12/105
651,443 6/1900 Manges 296/10
661,057 11/1900 Karracker 296/6
680,070 8/1901 Poindexter 296/6
1,023,902 4/1912 Wehmiller 296/6
1,333,879 3/1920 Sowers 296/6

The hitch shown in FIGS. 1, 4 and 5 and the wagon shown in FIGS. 4 and 5 are shown broken away for convenience of illustration.



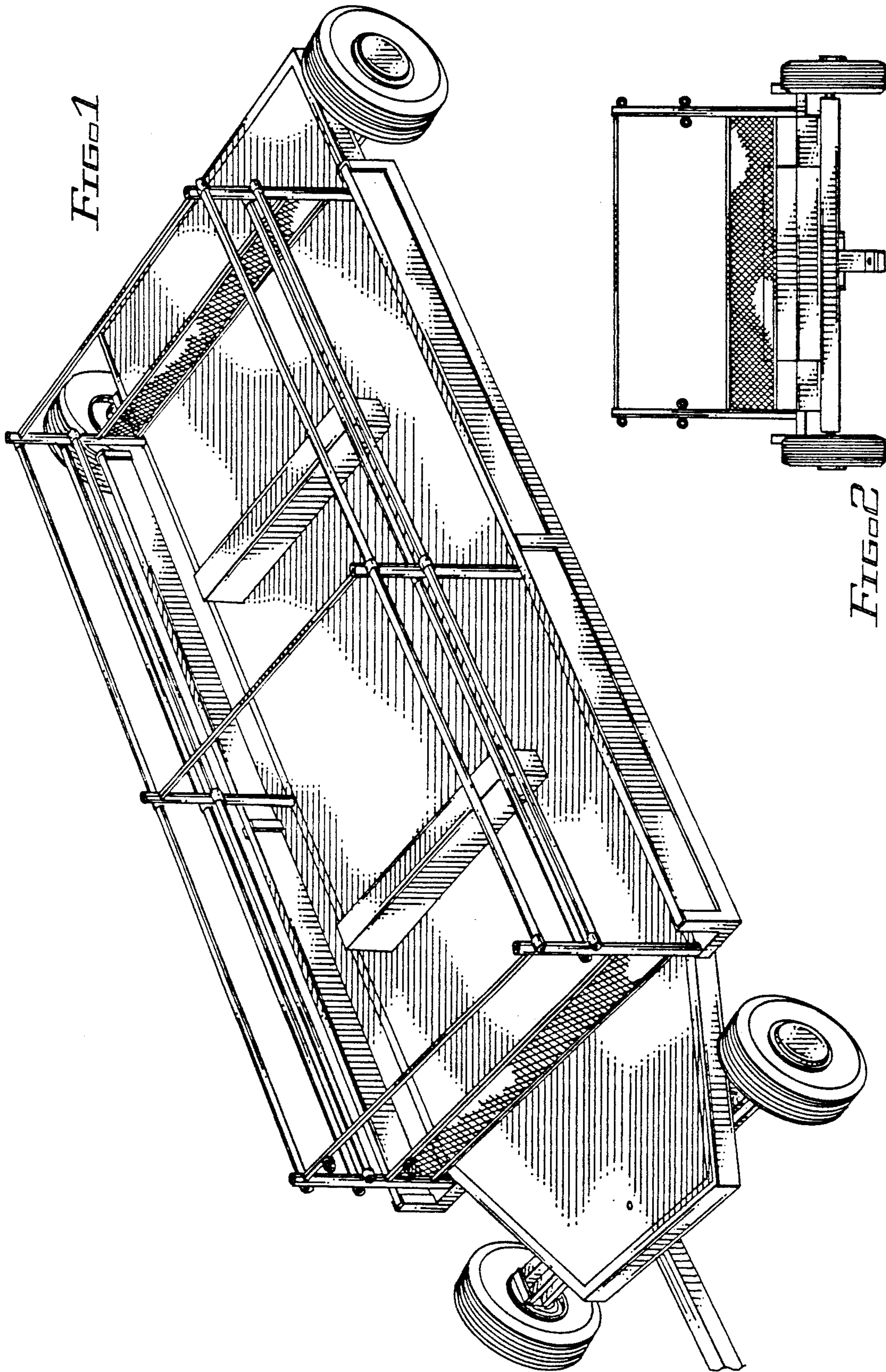


FIG 1

FIG 2

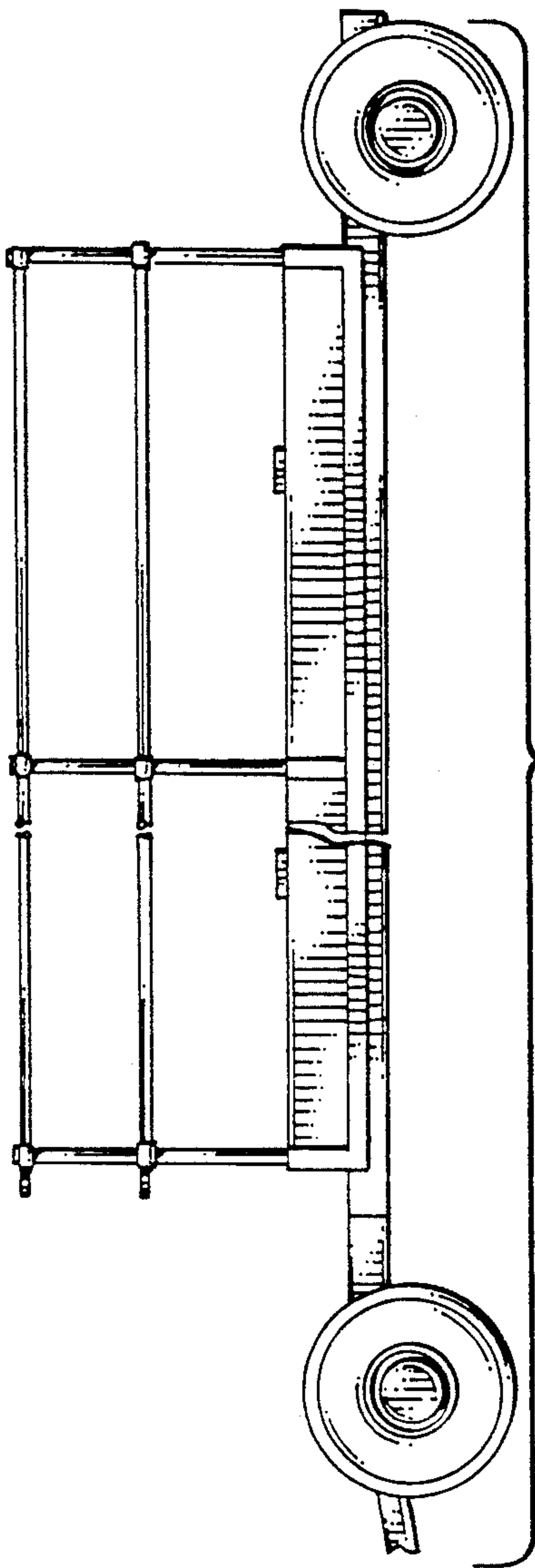


FIG 4

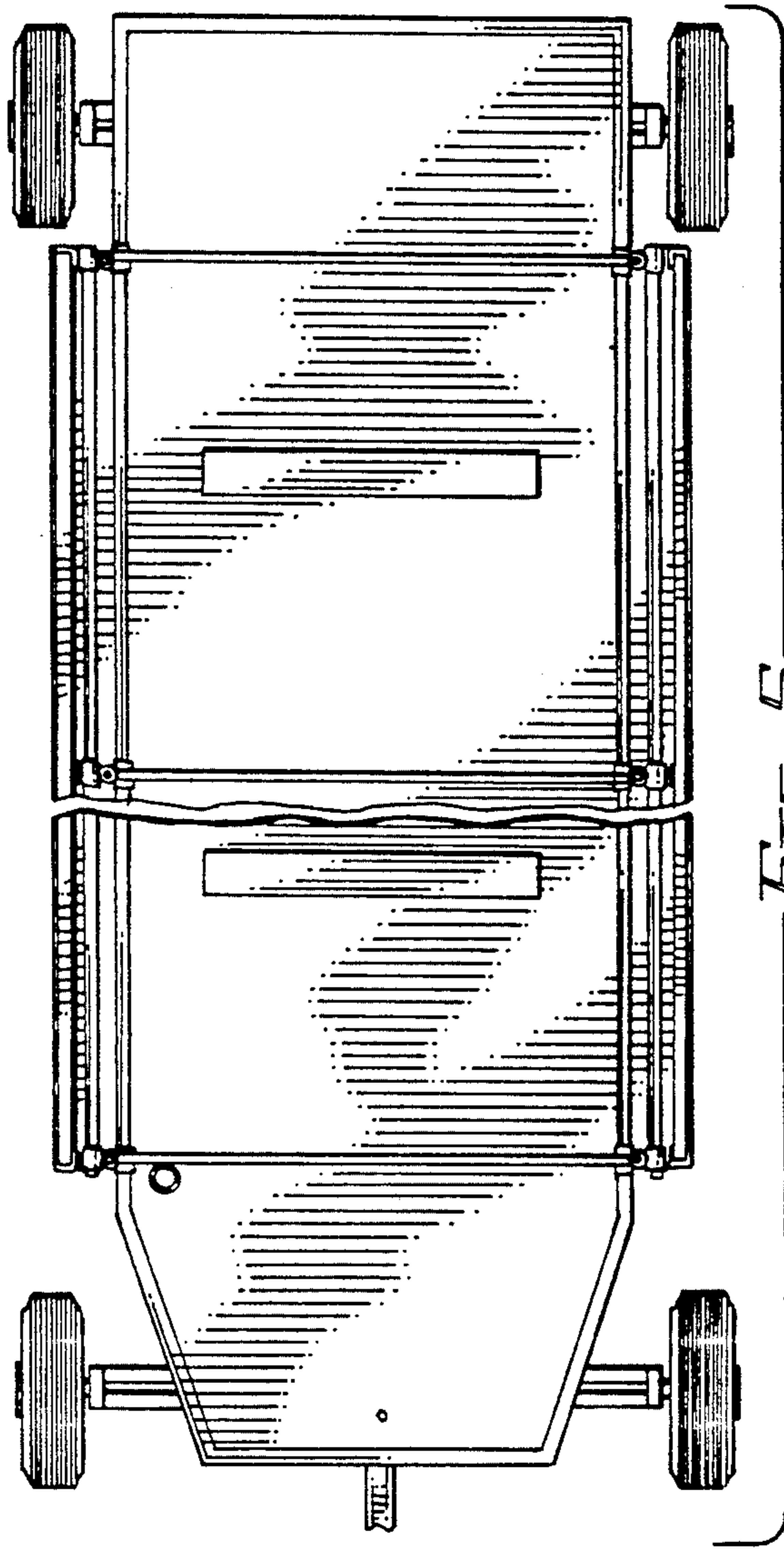


FIG 5

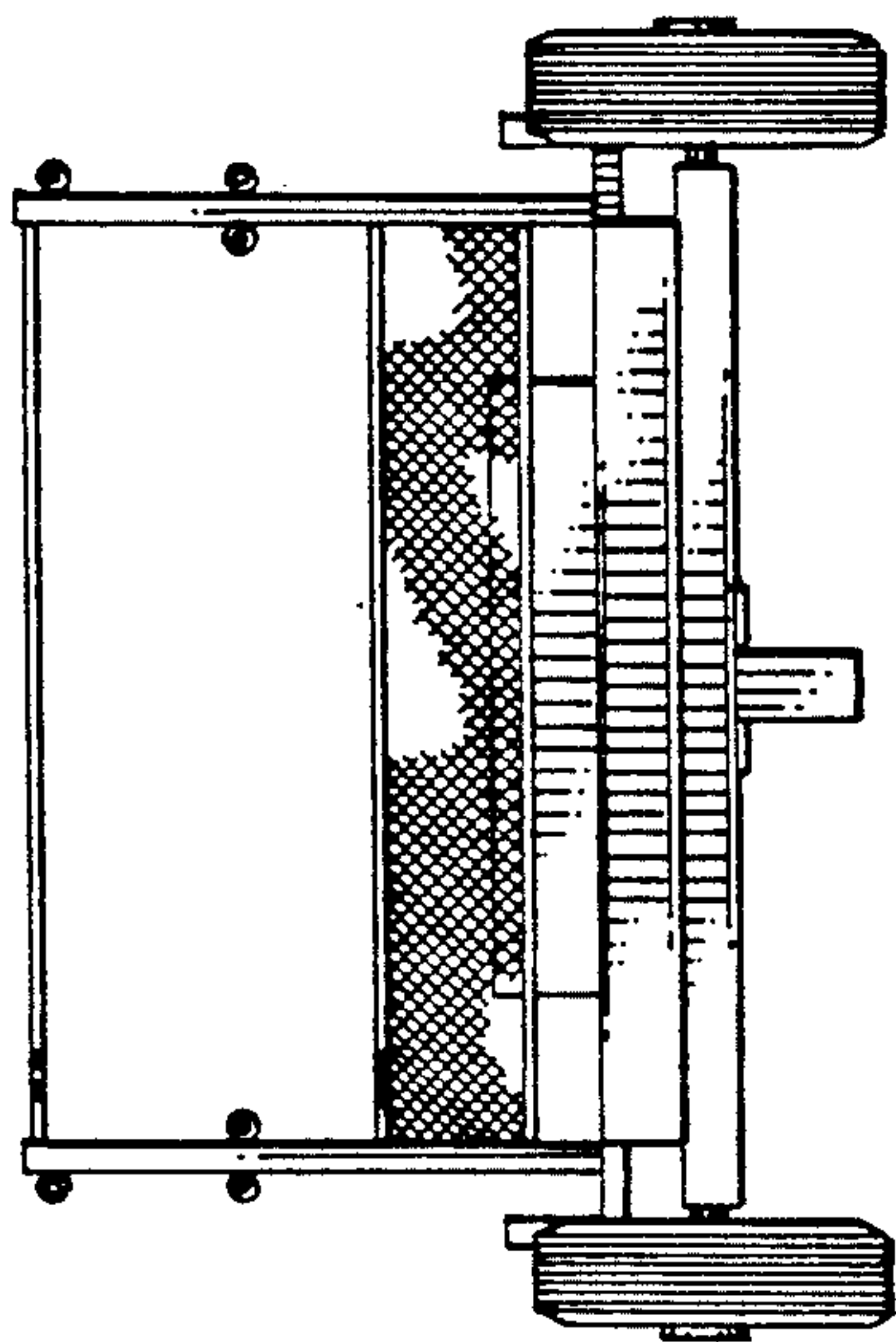


FIG 3