



US00D336869S

United States Patent [19]

Leib et al.

[11] Patent Number: **Des. 336,869**

[45] Date of Patent: **** Jun. 29, 1993**

[54] **COLLAPSIBLE TRAILER**

[75] Inventors: **Donald Leib**, 25052 Silver Leaf La., Laguna Hills, Calif. 92653; **Kenneth Thurm**, 2348 N. Rockridge Cir., Orange, Calif. 93667

[73] Assignees: **Donald Leib**, Laguna Hills; **Kenneth Thurm**, Orange, both of Calif.

[**] Term: **14 Years**

[21] Appl. No.: **764,401**

[22] Filed: **Sep. 23, 1991**

[52] U.S. Cl. **D12/101**

[58] Field of Search **D12/101; 280/400, 414.1, 280/656; 414/537**

[56] **References Cited**

U.S. PATENT DOCUMENTS

D. 219,964 2/1971 Ranson D12/101

D. 226,655	4/1973	Ezell	D12/101
D. 245,495	8/1977	Henderson	D12/101
D. 258,730	3/1981	Jenkins	D12/101
D. 278,615	4/1985	Law et al.	D12/101
4,032,167	6/1977	Chereda	D12/101

Primary Examiner—Wallace R. Burke
Assistant Examiner—Melody N. Brown
Attorney, Agent, or Firm—Blum Kaplan

[57] **CLAIM**

The ornamental design for a collapsible trailer, as shown.

DESCRIPTION

FIG. 1 is a perspective view of a collapsible trailer incorporating my new design;
FIG. 2 is a side elevational view thereof;
FIG. 3 is a top plan view thereof;
FIG. 4 is a front elevational view thereof;
FIG. 5 is a rear elevational view thereof; and,
FIG. 6 is a bottom plan view thereof.

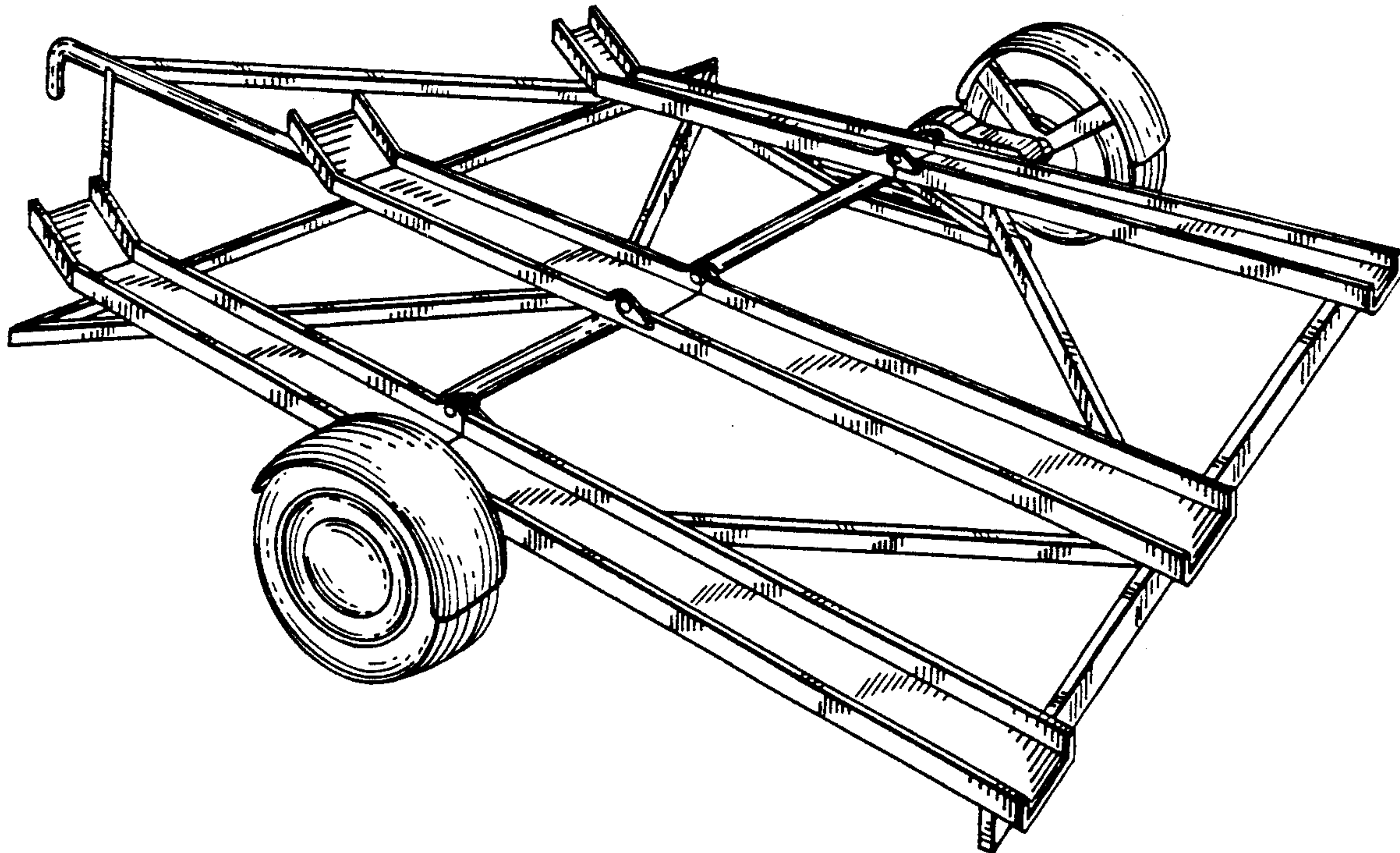


FIG. 1

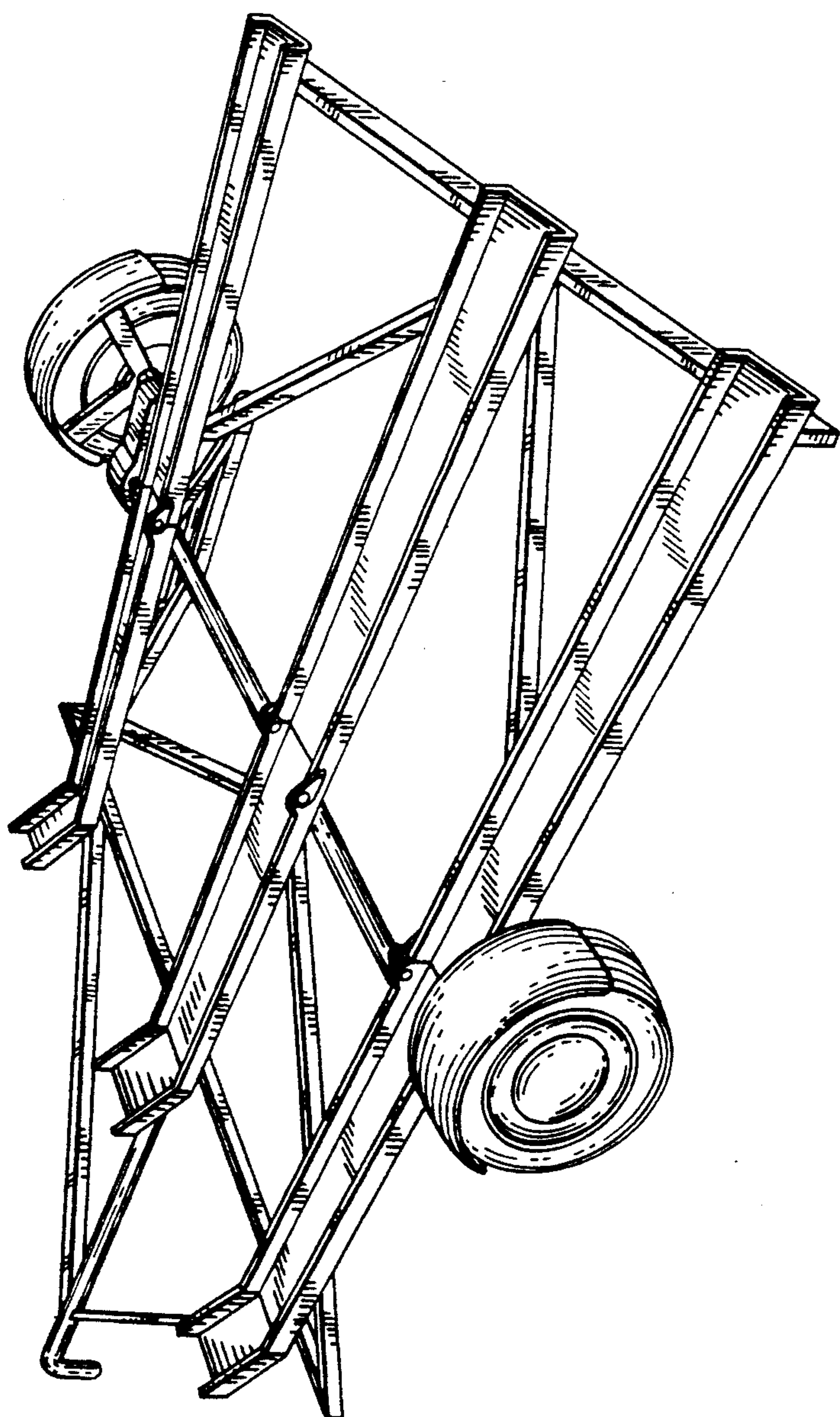
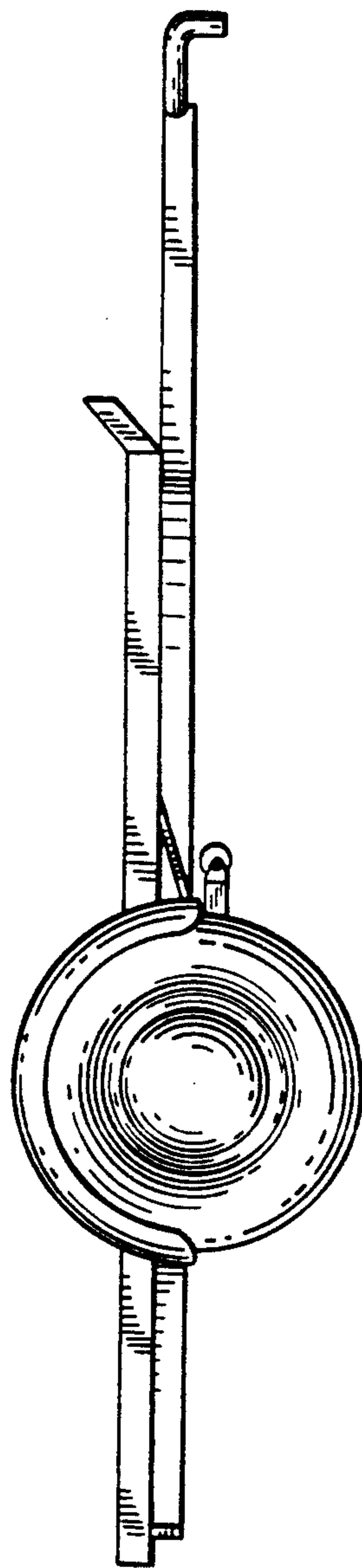


FIG. 2



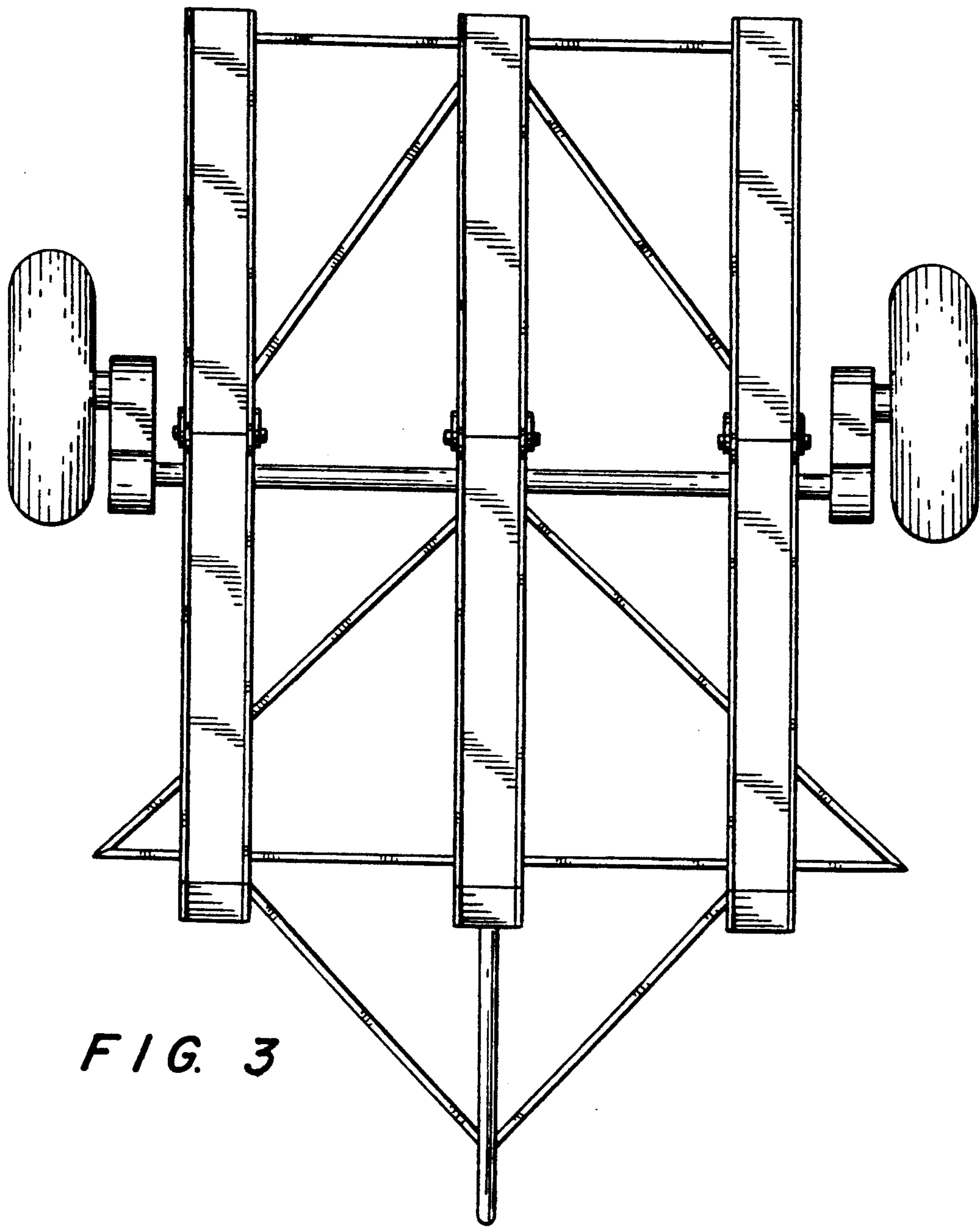


FIG. 3

FIG. 4

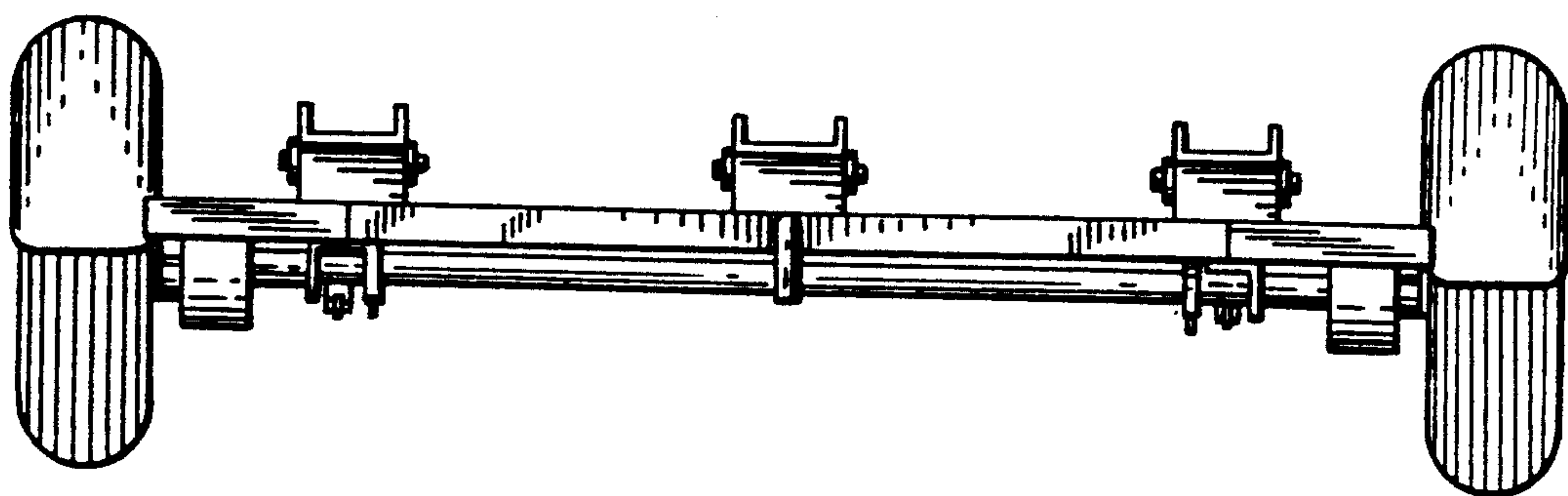


FIG. 5

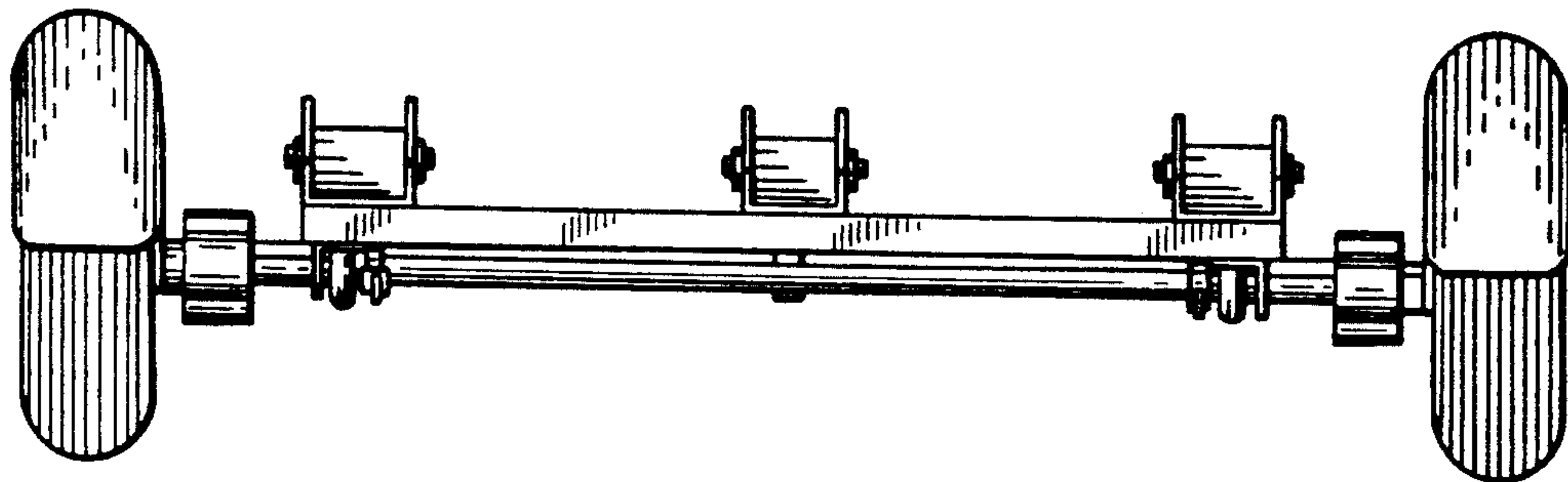


FIG. 6

