



US00D336867S

United States Patent [19] Wright

[11] Patent Number: **Des. 336,867**

[45] Date of Patent: **** Jun. 29, 1993**

[54] TIE TACK

3,950,790 4/1976 Adler .

[76] Inventor: **Norbert Wright, 218 Mattix Run,
Absecon, N.J. 08201**

OTHER PUBLICATIONS

Hermes Inc. 1979 Catalogue—upper left corner of p. 34.

[**] Term: **14 Years**

Primary Examiner—A. Hugo Word

Assistant Examiner—R. Seifert

[21] Appl. No.: **655,953**

Attorney, Agent, or Firm—Terry M. Gernstein

[22] Filed: **Feb. 15, 1991**

[57] CLAIM

[52] U.S. Cl. **D11/203; D11/202**

The ornamental design for a tie tack, as shown and described.

[58] Field of Search **D11/200-202,
D11/229, 222; 2/132, 141 R, 152 D; 24/60, 49
R, 51, 49 CF, 49 K, 49 CP, 49 C, 455, 458, 49
P; D20/10, 15, 19, 27, 43**

DESCRIPTION

[56] References Cited

U.S. PATENT DOCUMENTS

- D. 112,615 12/1938 Pearson D20/43
- D. 267,833 2/1983 Arderson D11/202
- 1,511,793 10/1924 Worms .
- 1,756,901 4/1930 Moope .
- 2,541,660 2/1951 Naftali D11/203

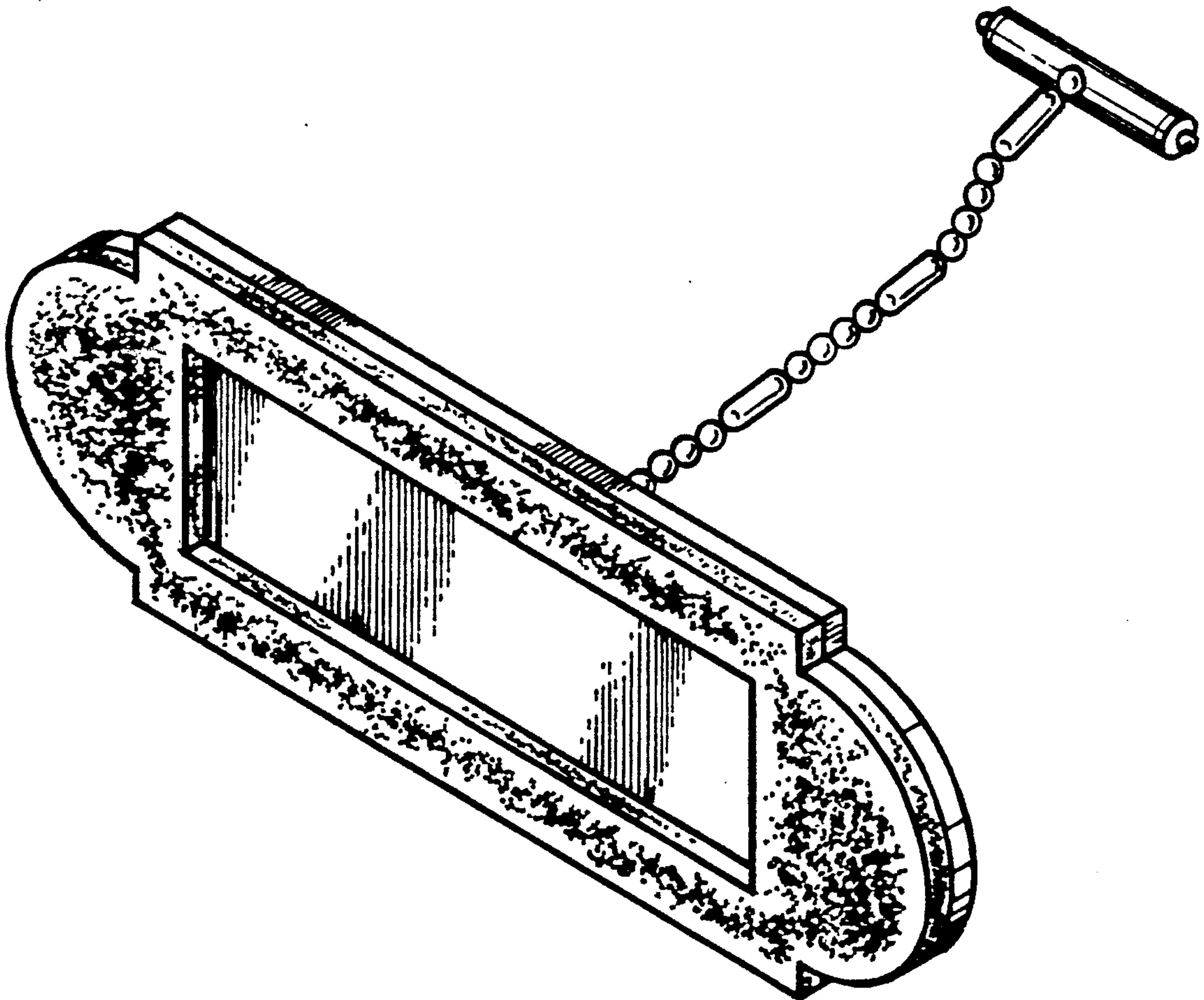
FIG. 1 is a perspective view of a tie tack showing my new design;

FIG. 2 is a front elevational view thereof;

FIG. 3 is a rear elevational view thereof;

FIG. 4 is a side elevational view thereof, the side opposite being a mirror image of the side shown in FIG. 4; and,

FIG. 5 is a top plan view thereof, the bottom being a mirror image of the top shown in FIG. 5.



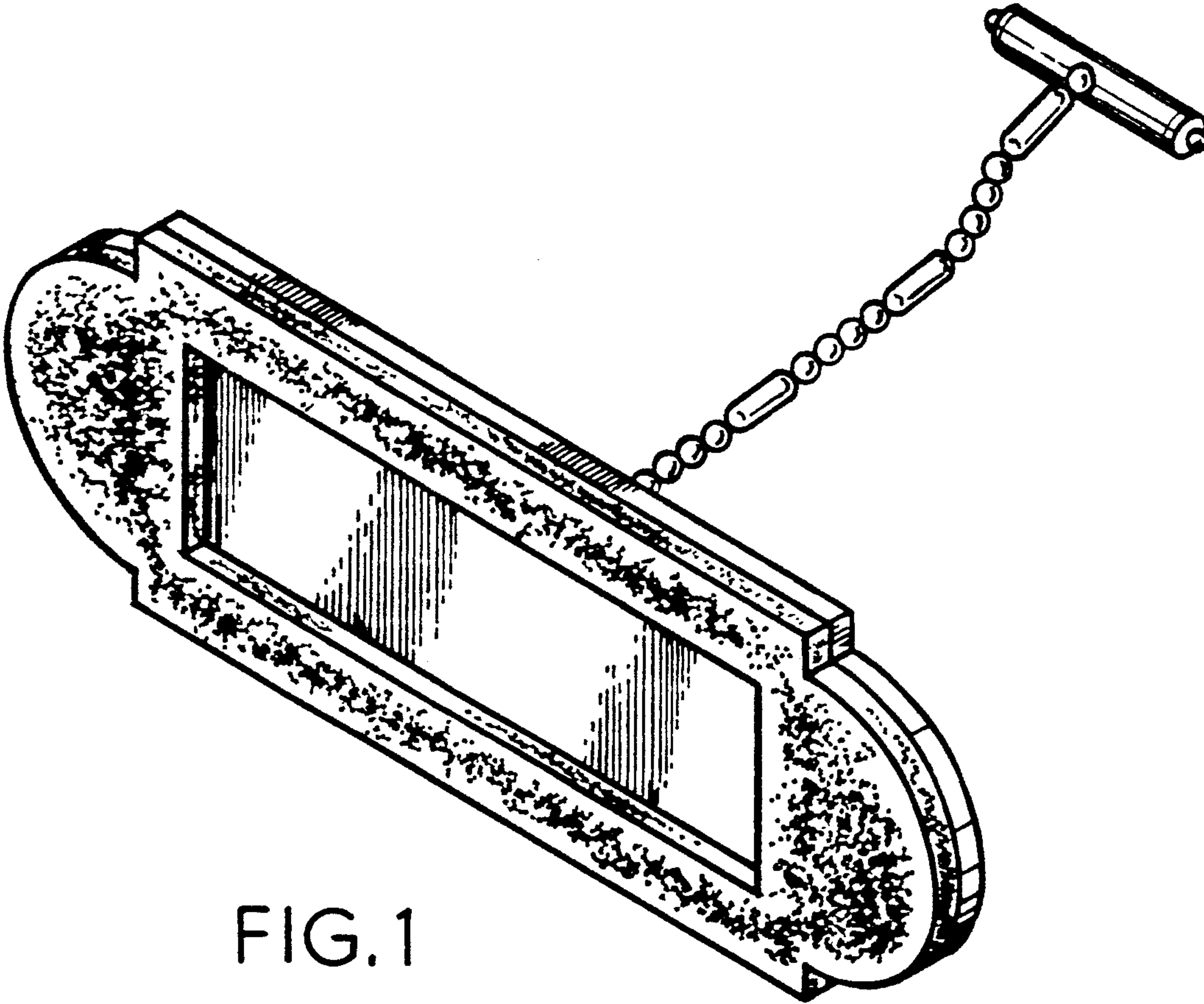


FIG. 1

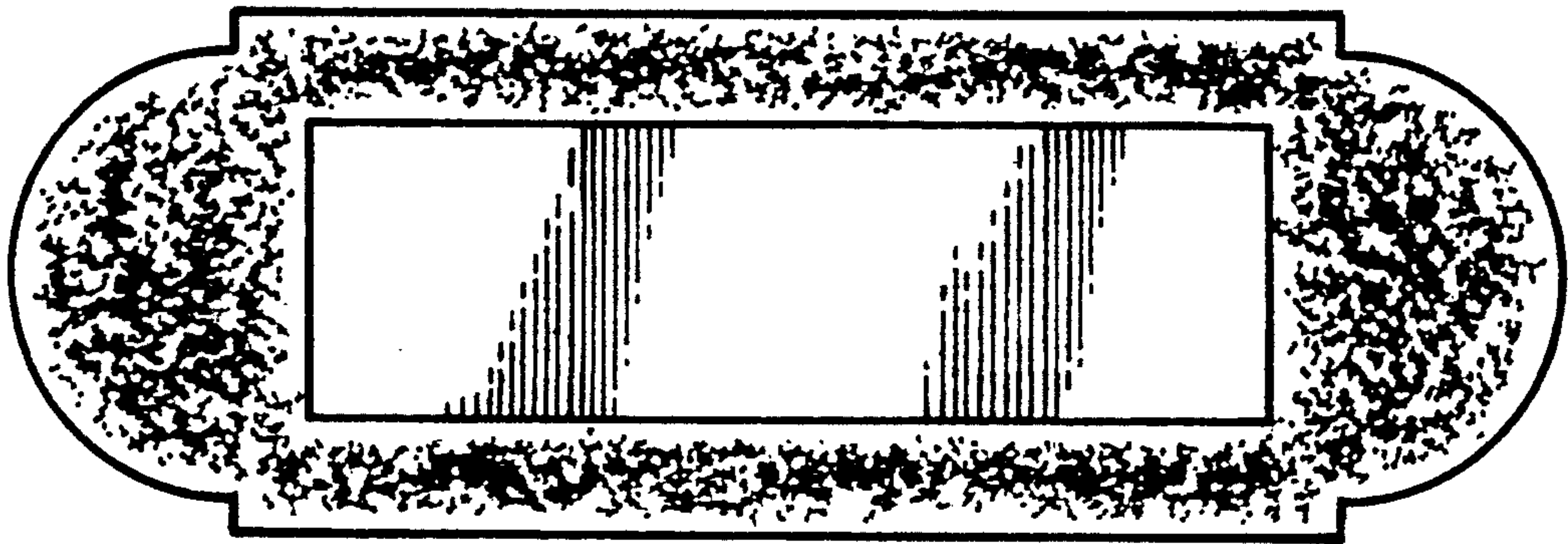


FIG. 2

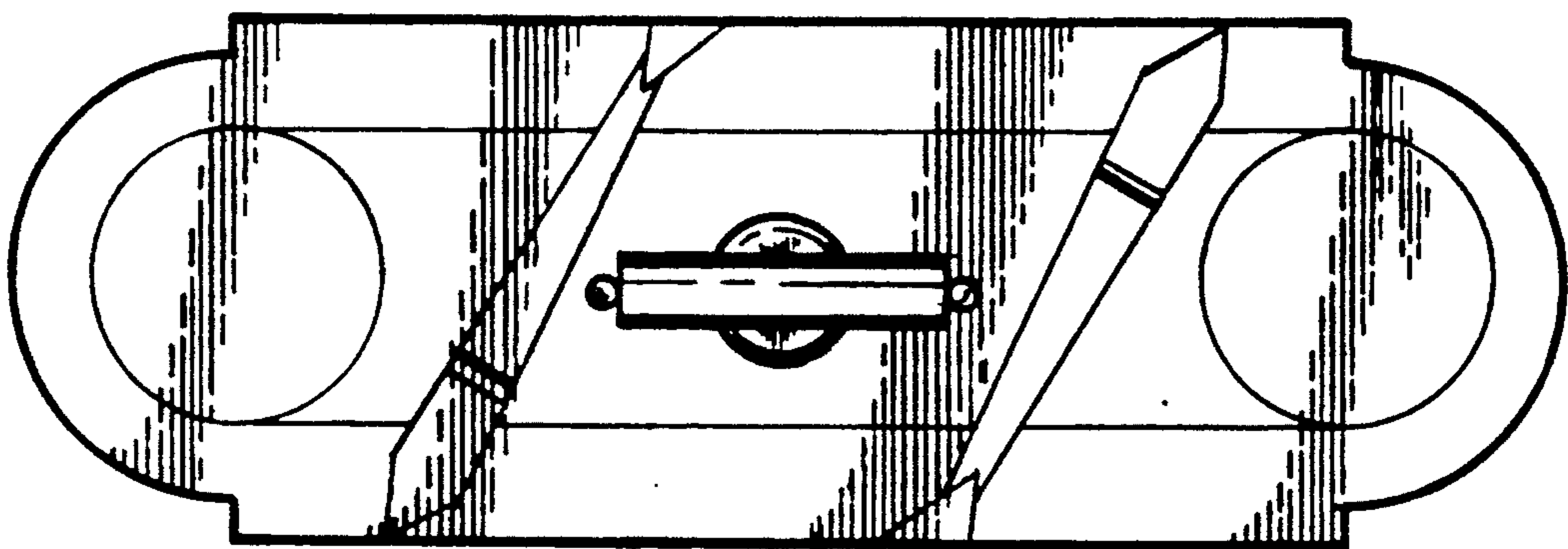


FIG. 3

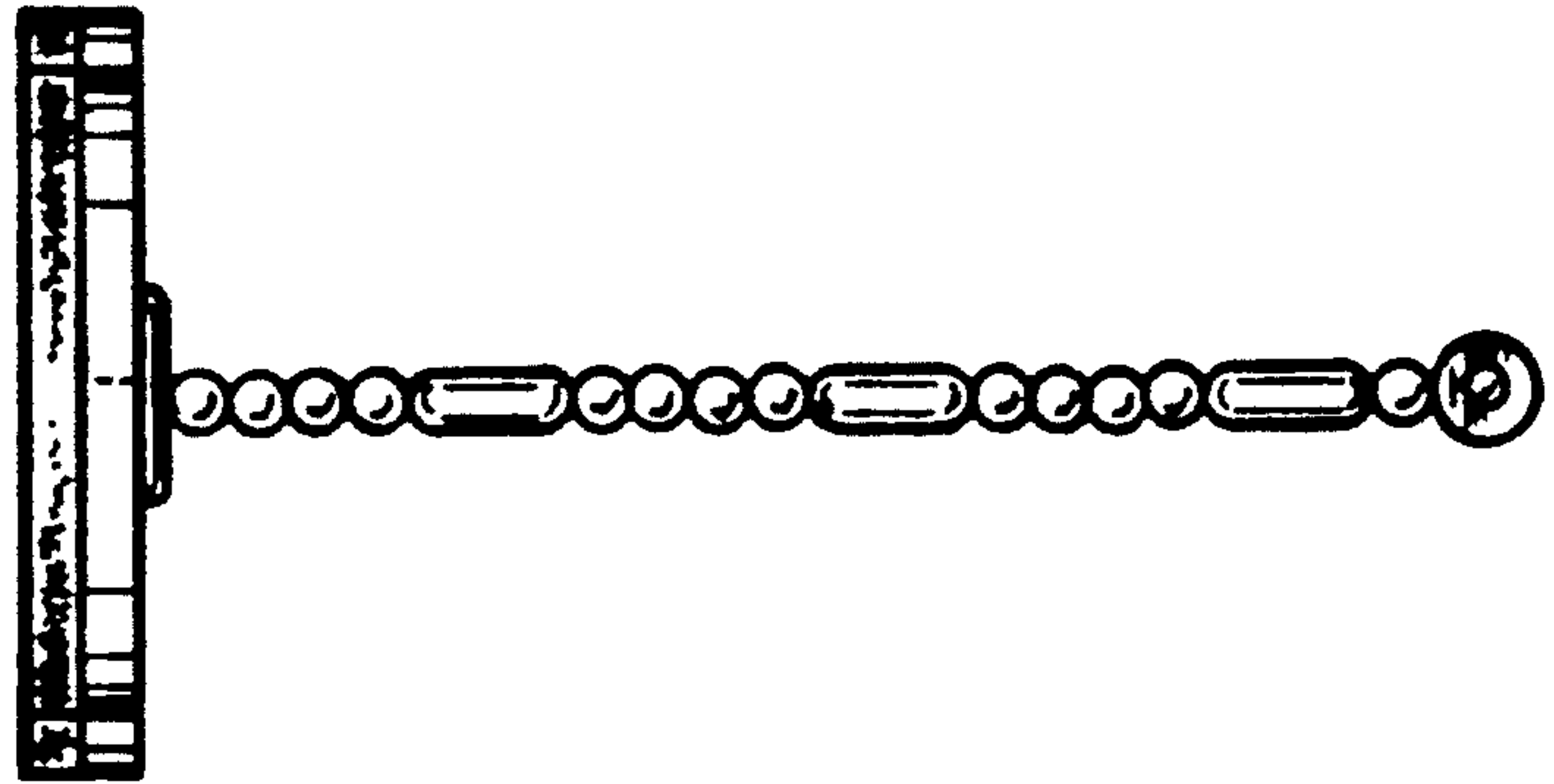


FIG. 4

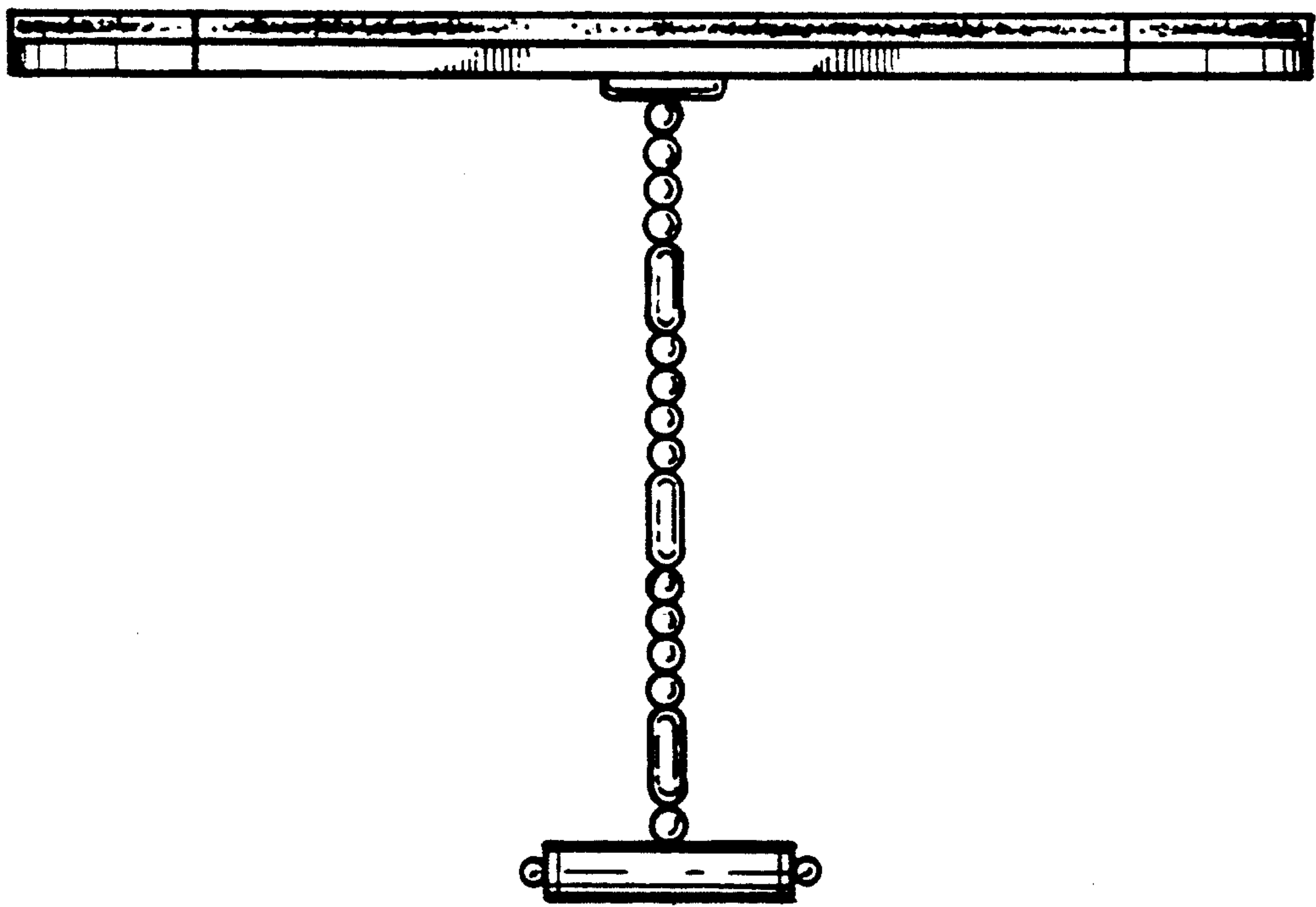


FIG. 5