



US00D336862S

United States Patent [19]

[11] Patent Number: **Des. 336,862**

Ayton et al.

[45] Date of Patent: **** Jun. 29, 1993**

[54] **PROBE COVER HOLDER FOR MEDICAL THERMOMETER**

[75] Inventors: **Ian F. Ayton**, Palos Verdes Estates; **Jimmy J. Carlock**, Vista; **Thomas K. Gregory**, Carlsbad; **Joseph J. Manno**, La Jolla; **Richard P. Meyst**, Valley Center, all of Calif.

[73] Assignee: **Diatek Incorporated**, San Diego, Calif.

[**] Term: **14 Years**

[21] Appl. No.: **670,598**

[22] Filed: **Mar. 18, 1991**

[52] U.S. Cl. **D10/60**

[58] Field of Search **D10/57, 58, 60; 374/209, 210**

[56] **References Cited**

U.S. PATENT DOCUMENTS

- D. 217,884 6/1970 Logan D10/60
- D. 284,399 6/1986 Fukuda D10/57 X

- D. 287,702 1/1987 Klagenberg et al. D10/60
- D. 293,085 12/1987 Yokoyama D3/30.1
- D. 330,170 10/1992 Arioka D10/60
- 4,005,776 2/1977 Seeley 206/306
- 4,062,239 12/1977 Fowler et al. 374/209 X

Primary Examiner—Alan P. Douglas
Assistant Examiner—Antoine D. Davis
Attorney, Agent, or Firm—Pretty, Schroeder, Brueggemann & Clark

[57] **CLAIM**

The ornamental for a probe cover holder for medical thermometer, as shown and described.

DESCRIPTION

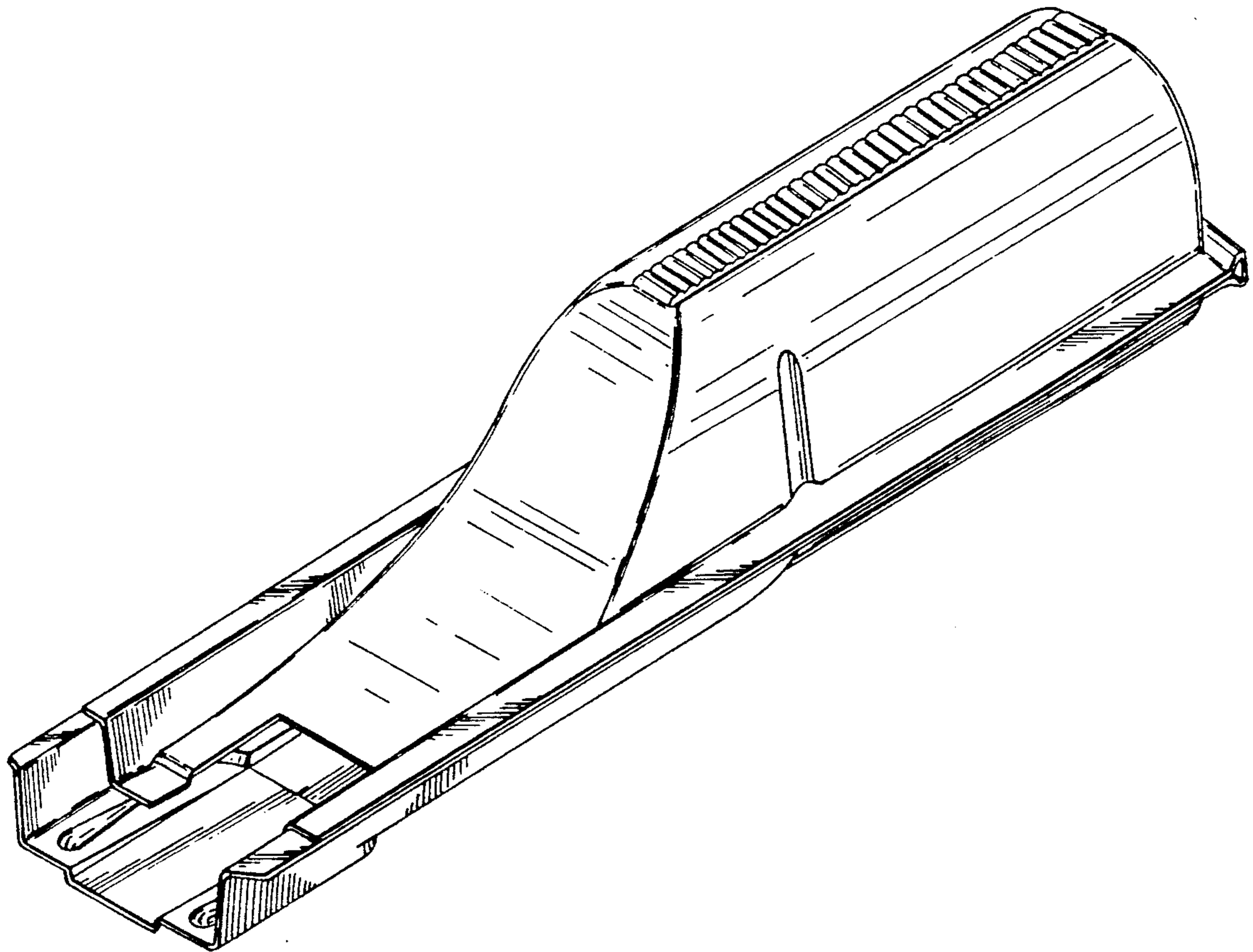
FIG. 1 is a front right perspective view of a probe cover holder for medical thermometer embodying our new design;

FIG. 2 is a front elevational view thereof;

FIG. 3 is a right side elevational view thereof, which is a mirror image of the left side elevational view;

FIG. 4 is a bottom plan view thereof; and,

FIG. 5 is a rear elevational view thereof.



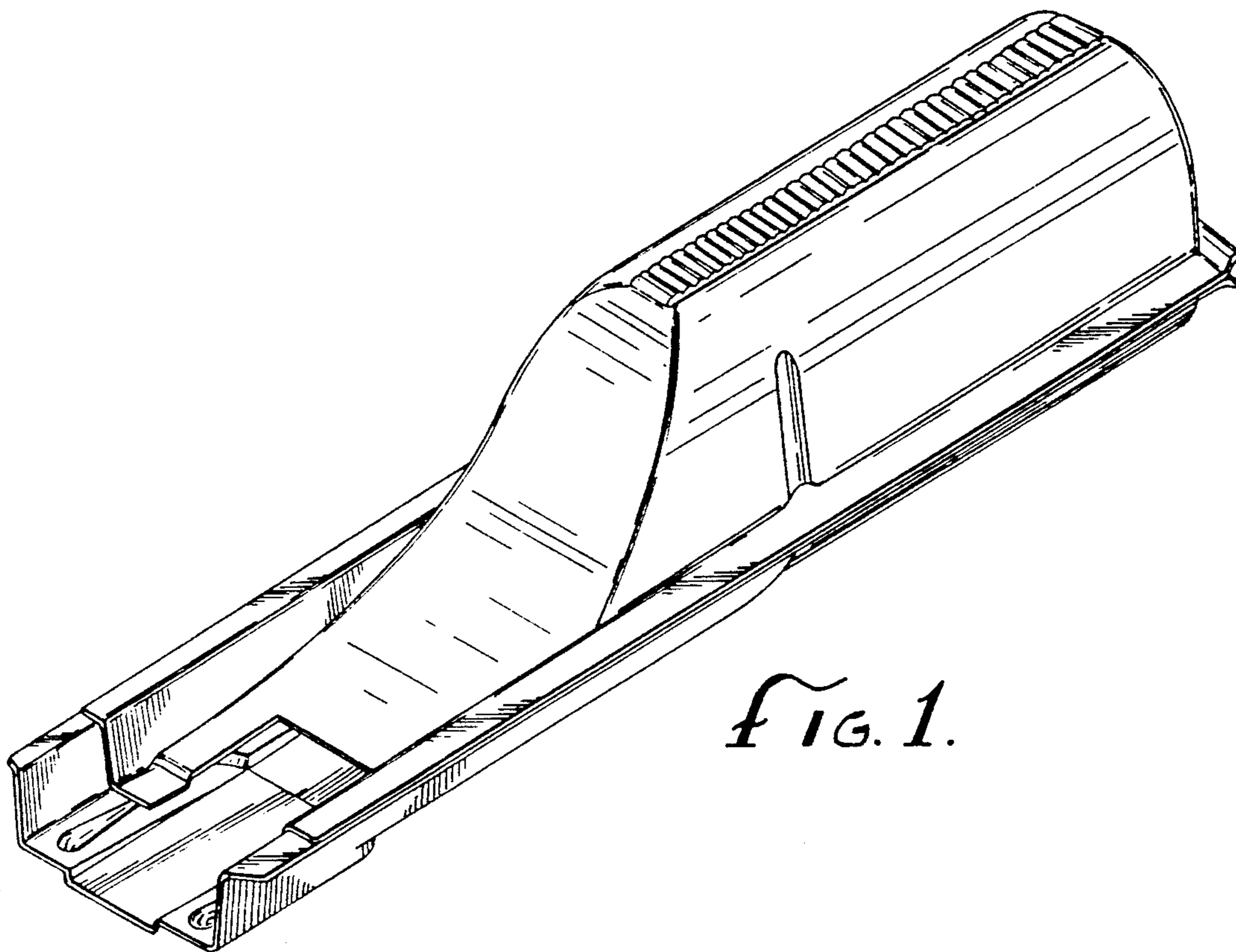


FIG. 1.

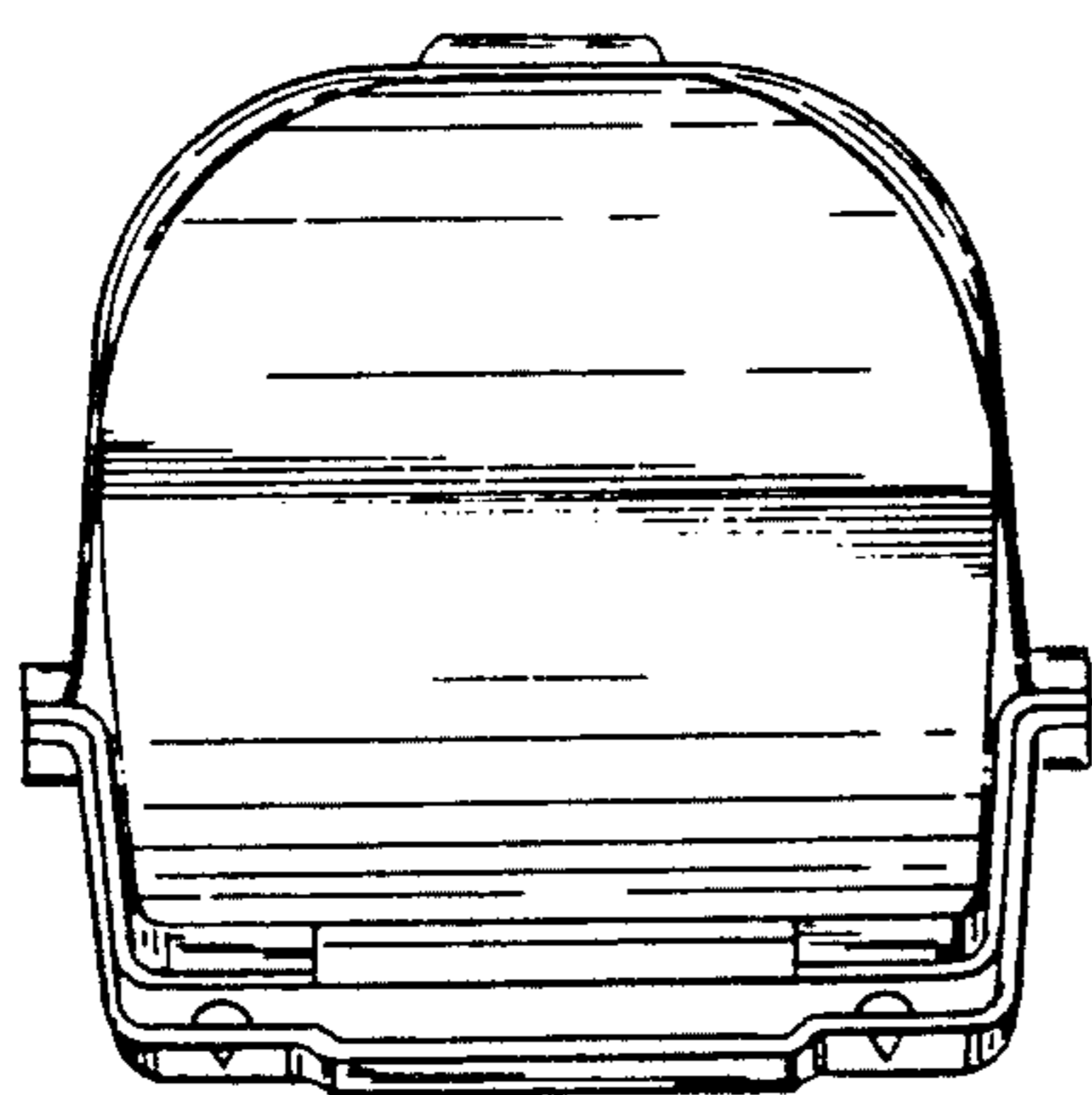


FIG. 2.

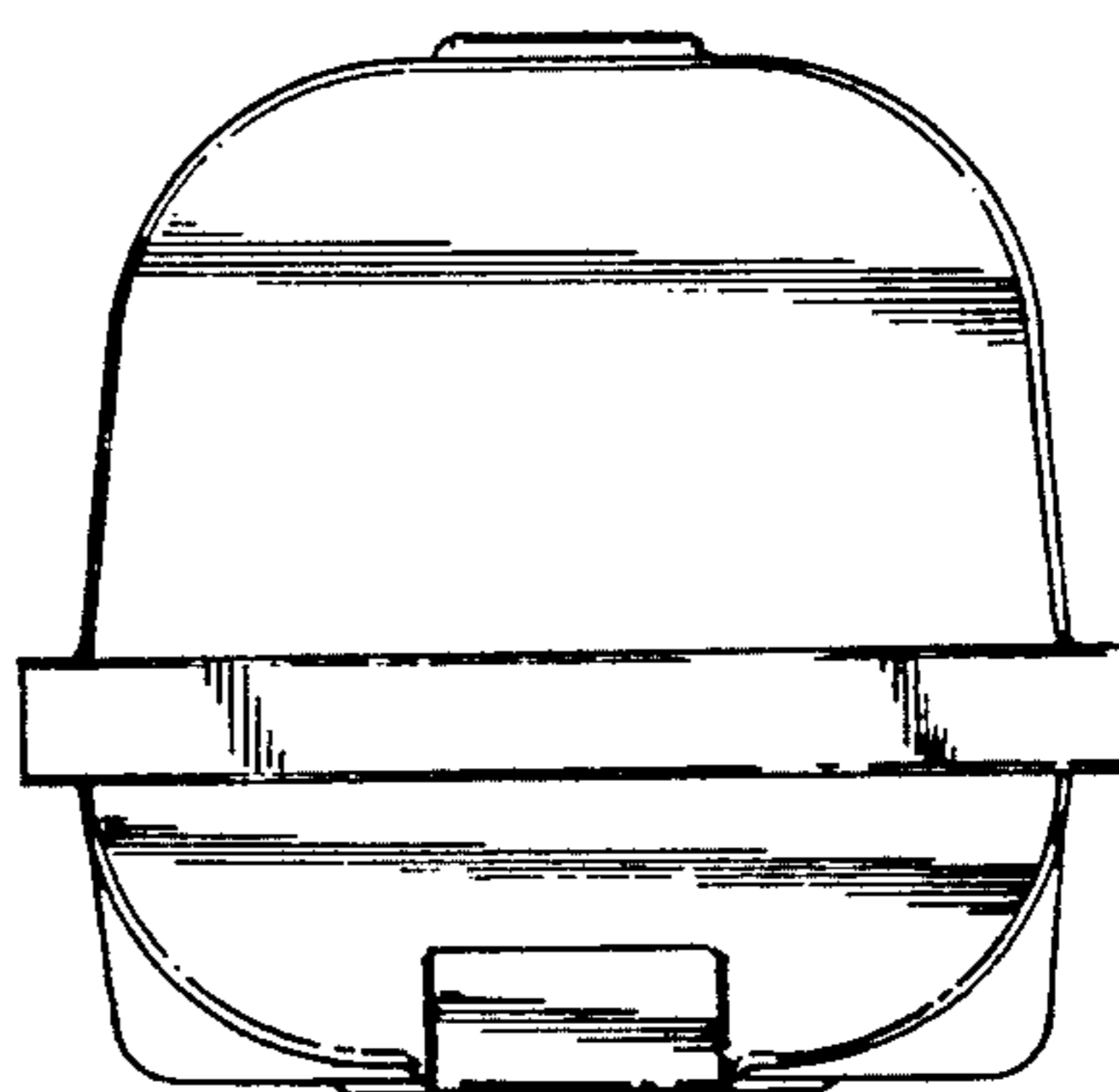


FIG. 5.

