



US00D336861S

# United States Patent [19]

[11] Patent Number: **Des. 336,861**

Nicholas

[45] Date of Patent: **\*\* Jun. 29, 1993**

[54] **MOISTURE DETECTOR FOR A WATER CONTROL UNIT**

4,023,206	5/1977	Nishibe et al.	340/602
4,264,902	4/1981	Miller	340/602
4,522,229	6/1985	Moortele	.
4,638,835	1/1987	Cauang	.
4,705,060	11/1987	Boulbourne	.

[76] Inventor: **Michael Nicholas, 27 Tremont Ave., Staten Island, N.Y. 10314**

[\*\*] Term: **14 Years**

*Primary Examiner*—James R. Largen  
*Attorney, Agent, or Firm*—Terry M. Gernstein

[21] Appl. No.: **514,354**

[57] **CLAIM**

[22] Filed: **Apr. 25, 1990**

The ornamental design for a moisture detector for a water control unit, as shown and described.

[52] U.S. Cl. .... **D10/56**

[58] Field of Search ..... D10/56; 73/29.02, 335.02, 73/431

**DESCRIPTION**

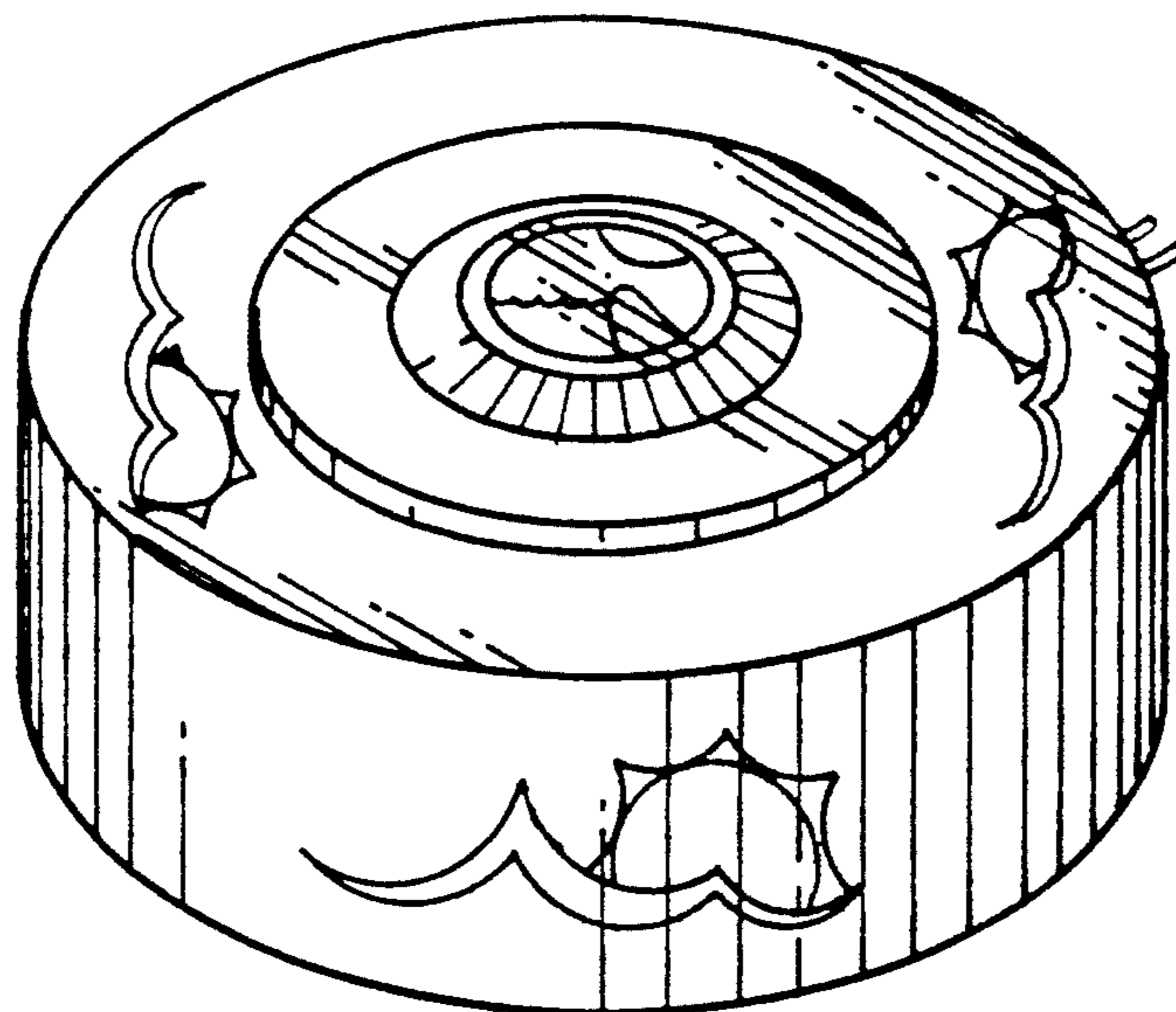
[56] **References Cited**

**U.S. PATENT DOCUMENTS**

D. 148,094	12/1947	Schwartz	D10/56
D. 153,846	5/1949	Beckstrom	D10/56 X
D. 201,708	7/1965	Stoop	D10/56
D. 247,702	4/1978	Schwartz	D10/56
D. 256,783	9/1980	Moon	D10/56
D. 292,778	11/1987	Clivio et al.	D10/56
3,200,388	8/1965	Uhlig	348/604
3,696,007	10/1972	Bennett et al.	73/335.02

FIG. 1 is a perspective view of a moisture detector for a water control unit showing my new design; FIG. 2 is a front elevational view thereof; FIG. 3 is a rear elevational view thereof; FIG. 4 is an end elevational view thereof; FIG. 5 is an end elevational view thereof; FIG. 6 is a top plan view thereof; and, FIG. 7 is a bottom view thereof.

The fragmentary broken line representation of an electric connector in FIG. 4 is for purposes of illustration only and forms no part of the claimed design.



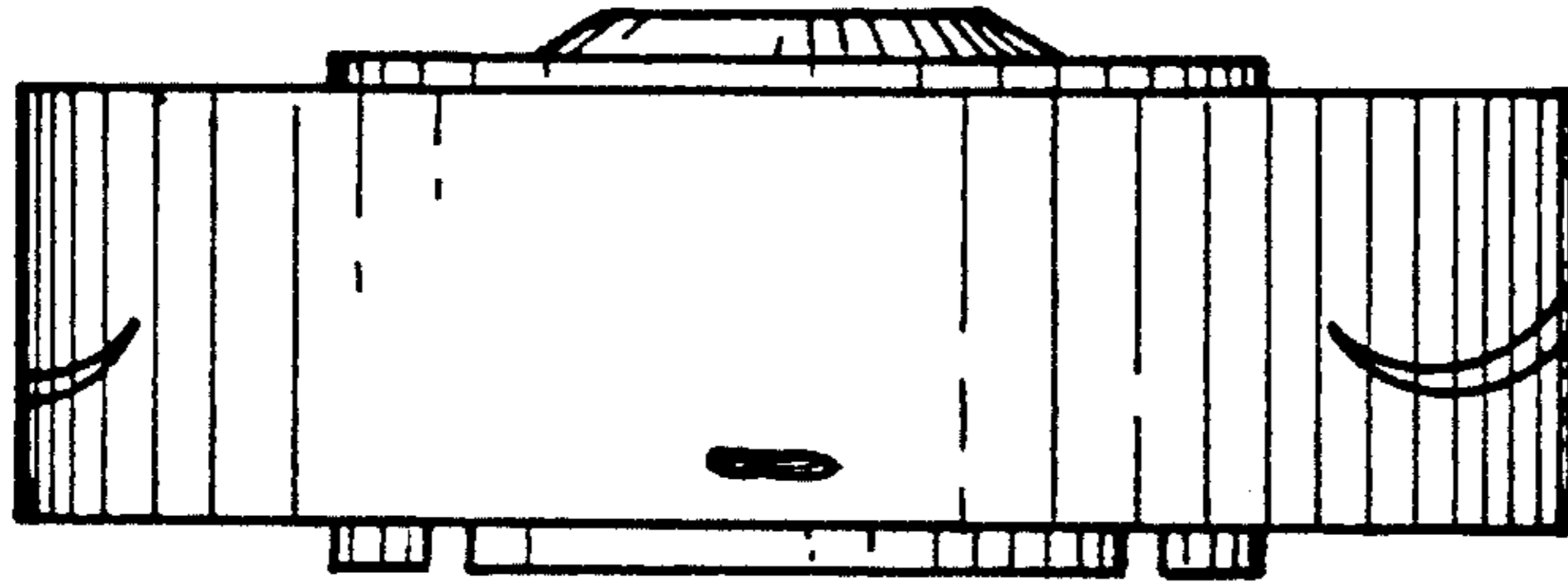


FIG. 4

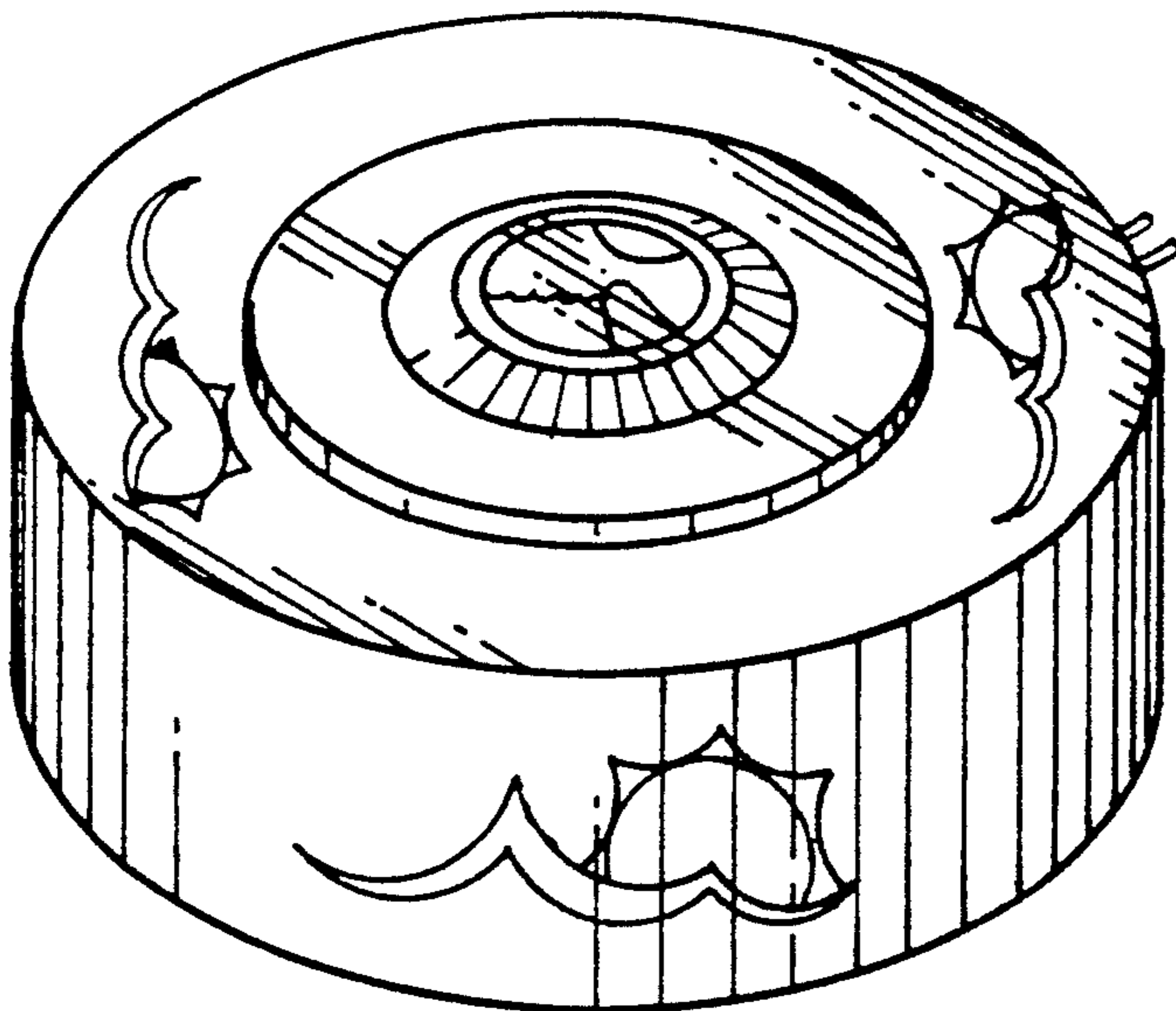


FIG. 1

FIG. 2

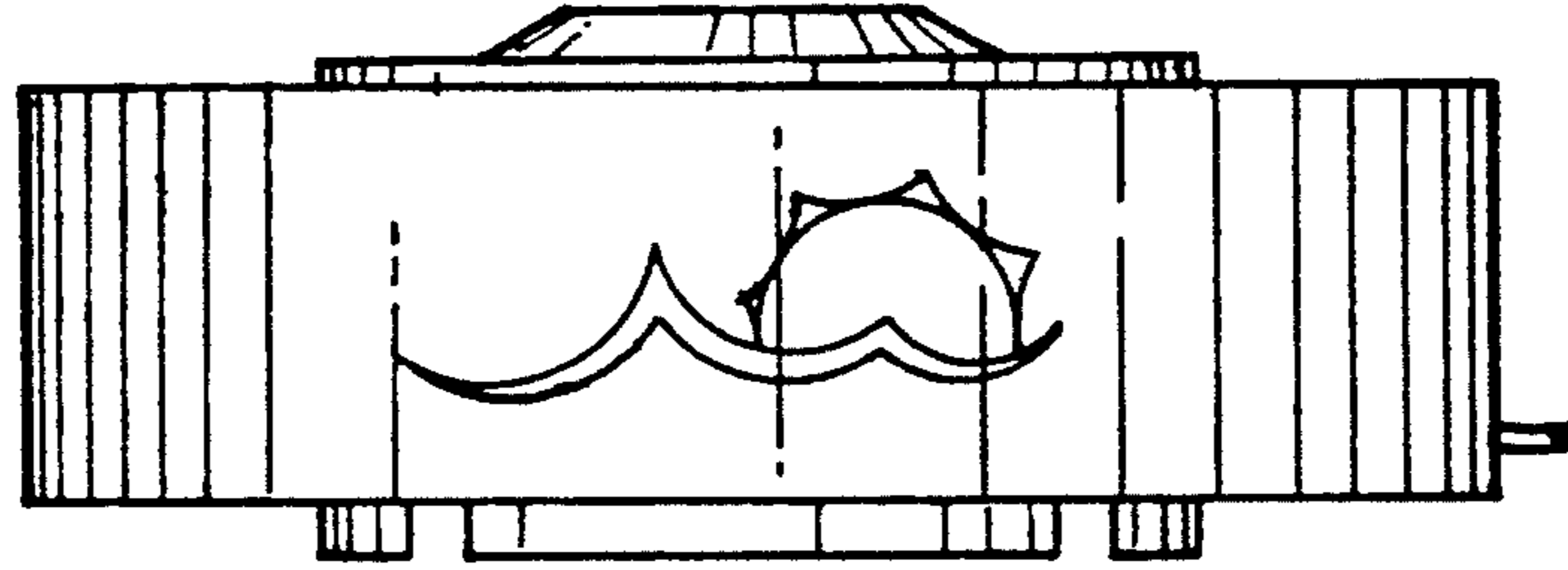


FIG. 6

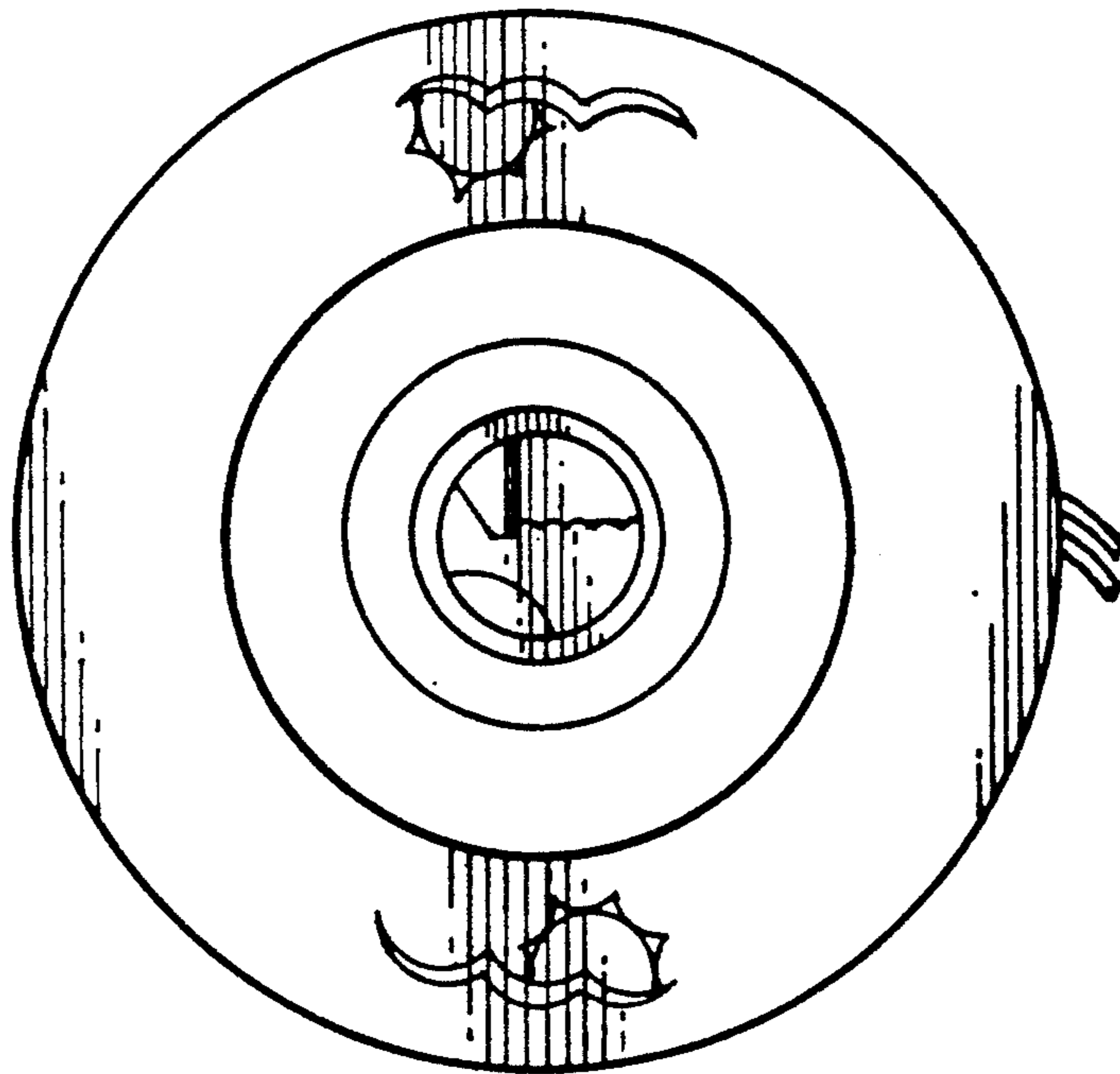


FIG. 3

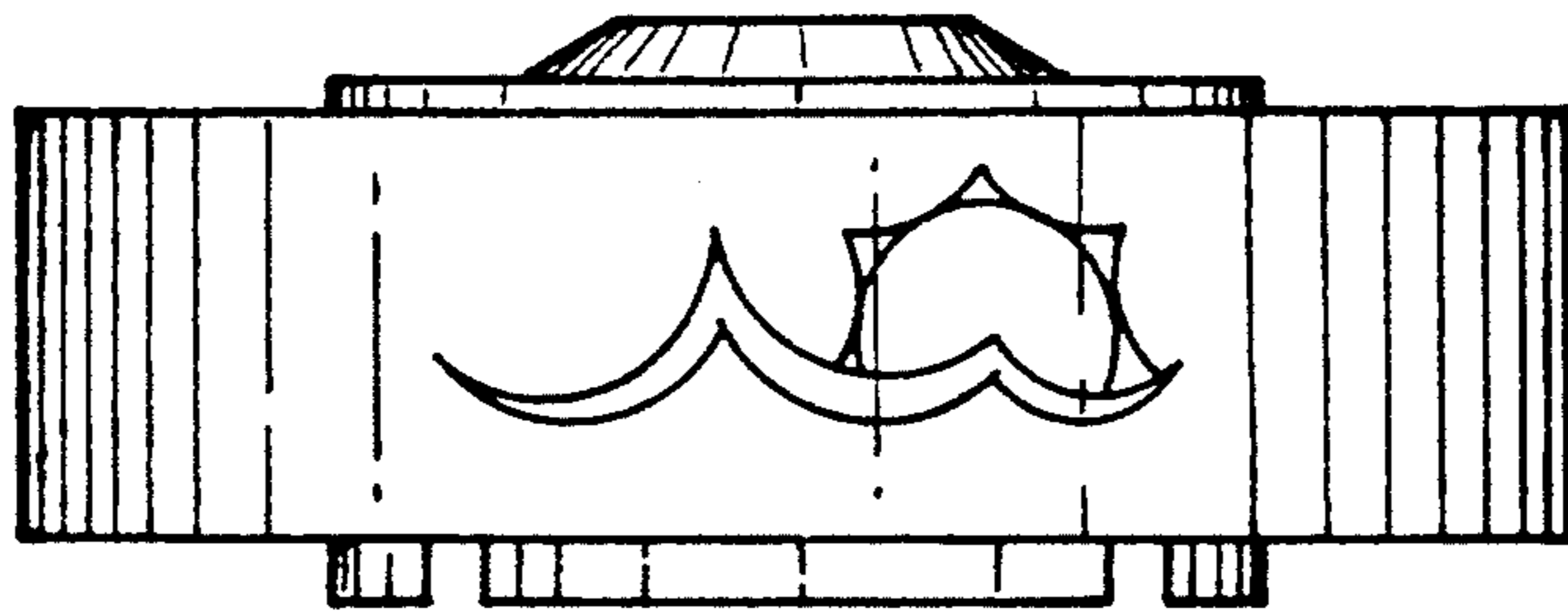
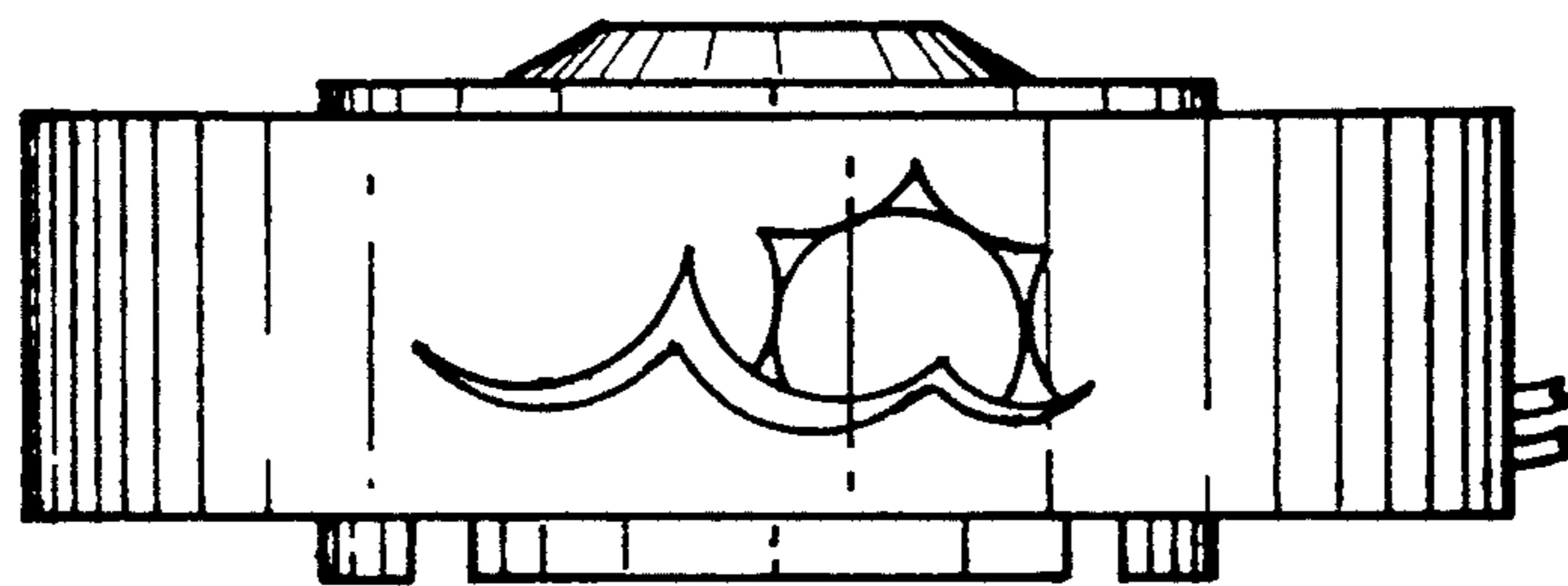


FIG. 5



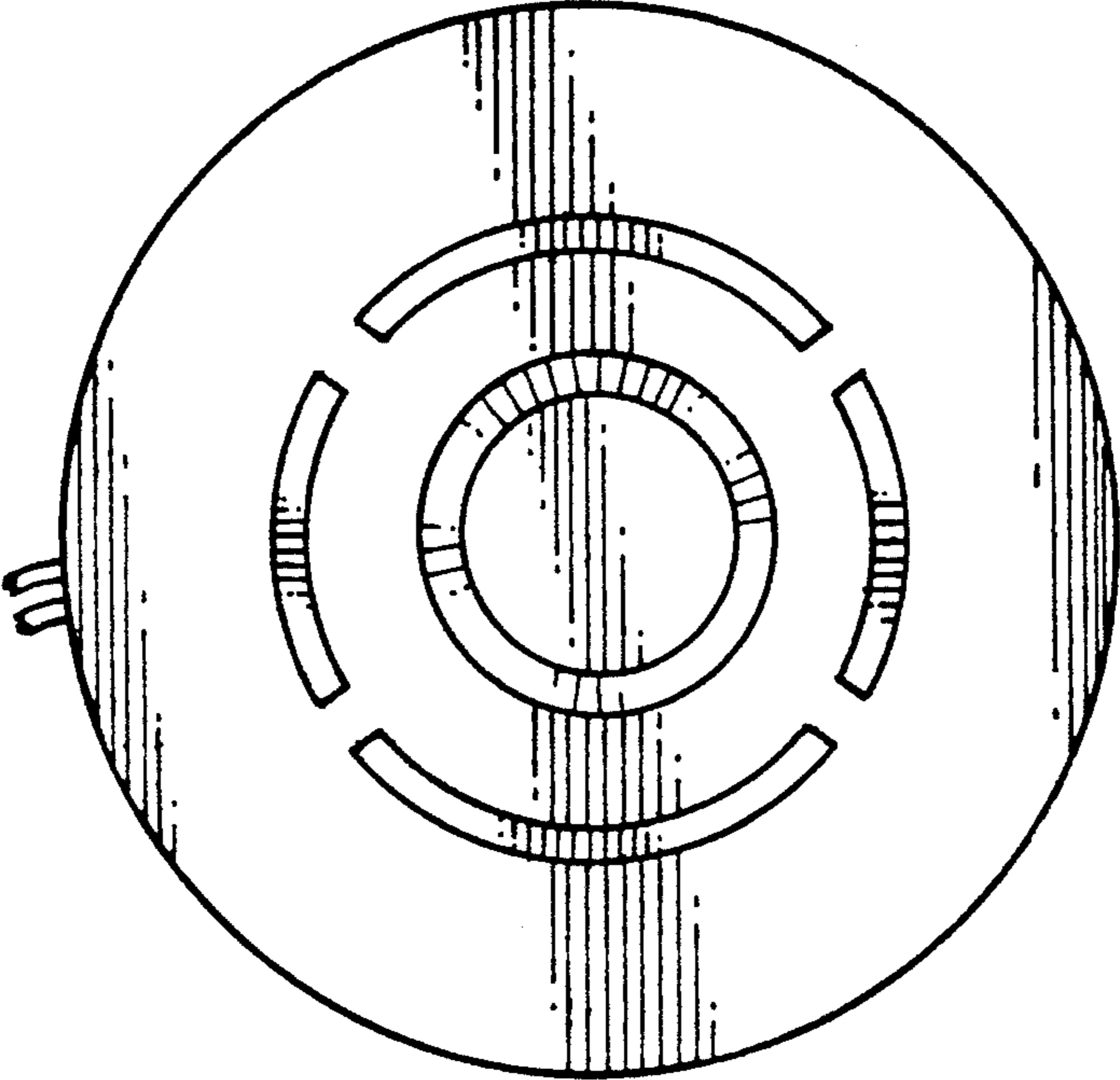


FIG. 7