



US00D336860S

United States Patent [19]

[11] Patent Number: Des. 336,860

Clough

[45] Date of Patent: ** Jun. 29, 1993

[54] PARKING METER

[56]

References Cited

[75] Inventor: Paul T. Clough, West Vancouver, Canada

U.S. PATENT DOCUMENTS

4,379,334 4/1983 Feagins 368/90 X
4,737,758 4/1988 Meiksin 368/90 X

[73] Assignee: Park-Ur-Self (Canada) Ltd., Vancouver, Canada

FOREIGN PATENT DOCUMENTS

3531536 3/1987 Fed. Rep. of Germany 368/90
2208024 2/1989 United Kingdom 368/90

[**] Term: 14 Years

Primary Examiner—Nelson C. Holtje

[21] Appl. No.: 430,654

[57]

CLAIM

[22] Filed: Nov. 1, 1989

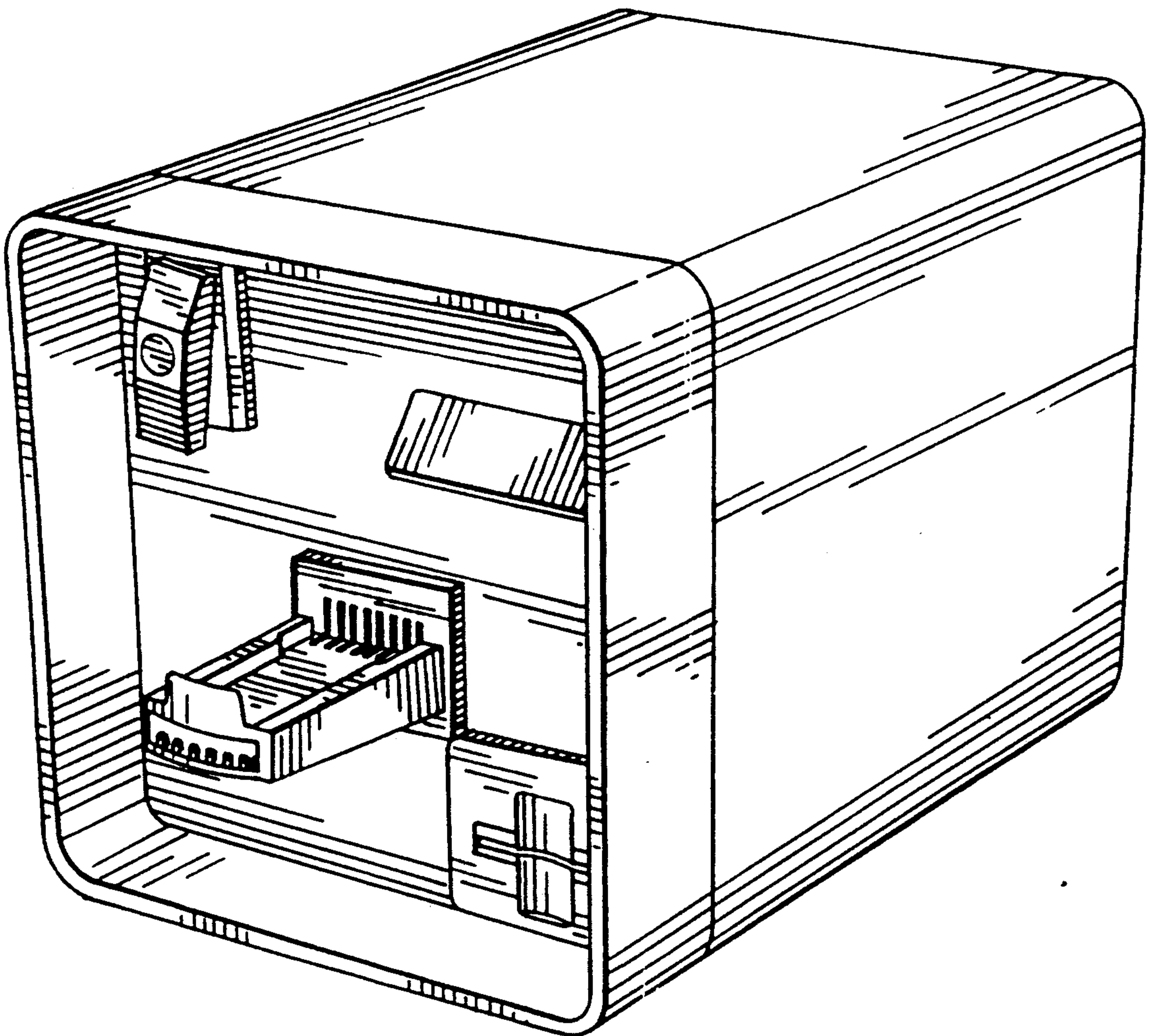
The ornamental design for a parking meter, as shown and described.

[30] Foreign Application Priority Data

DESCRIPTION

Jul. 25, 1989 [CA] Canada 25-07-89-2
[52] U.S. Cl. D10/42; D20/9
[58] Field of Search D10/42; 368/90, 92;
D20/2, 8, 9; 235/33-49; 194/350

FIG. 1 is a front and top-right perspective view of a parking meter showing my new design; and, FIG. 2 is a rear and bottom-left perspective view thereof.



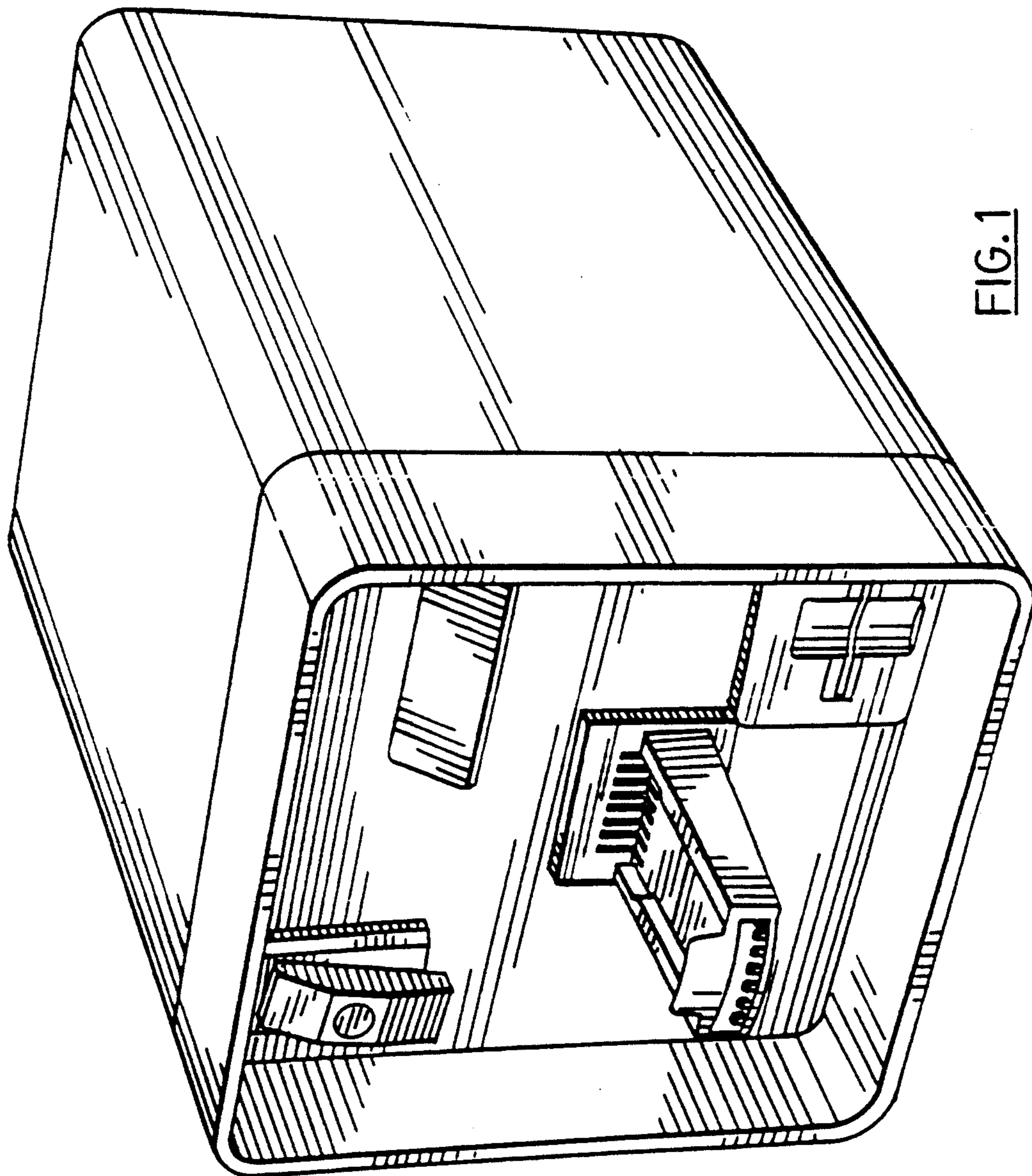


FIG. 1

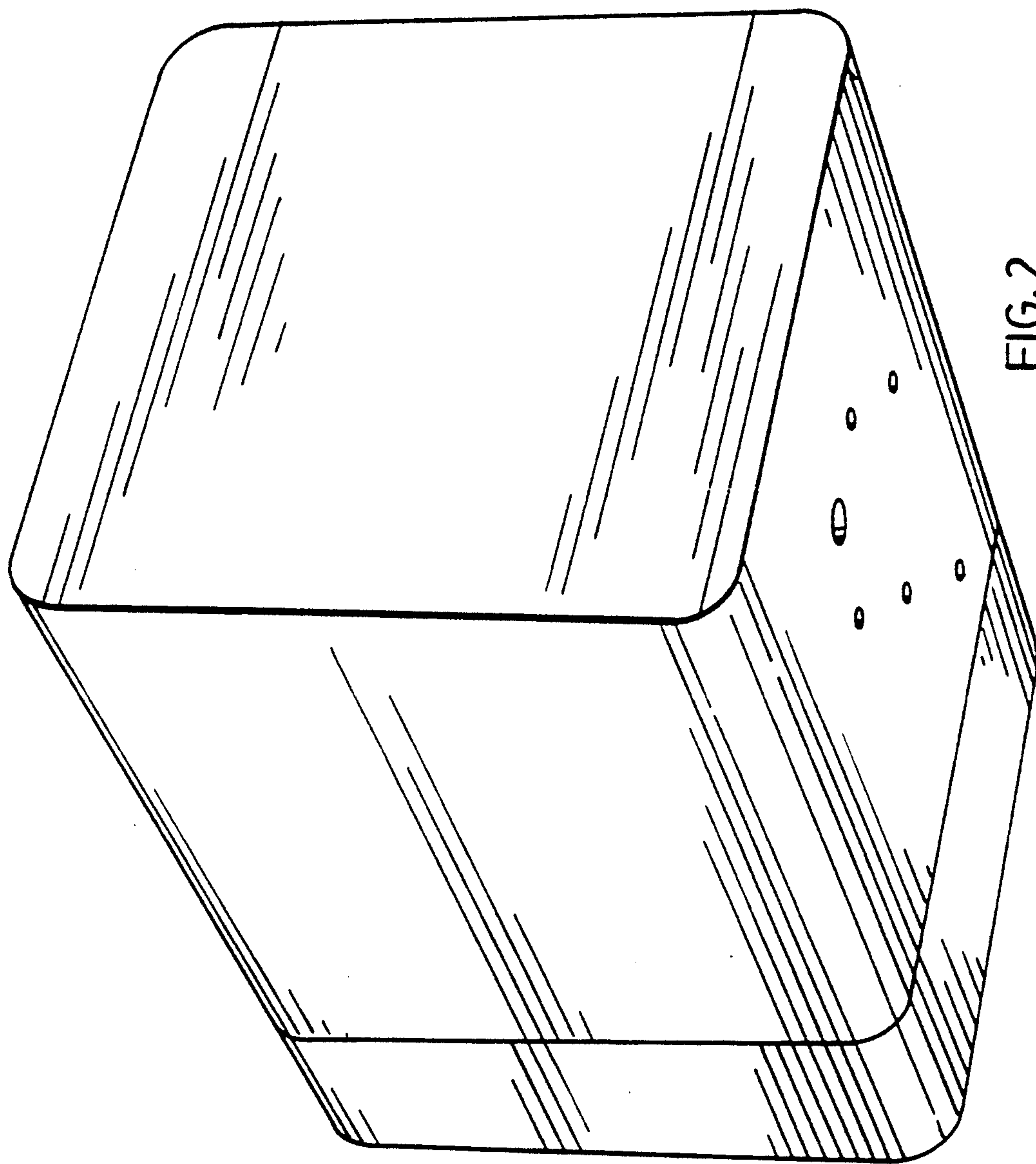


FIG. 2