



US00D336851S

United States Patent [19]

[11] Patent Number: **Des. 336,851**

Loo

[45] Date of Patent: **** Jun. 29, 1993**

[54] **PACKING CONTAINER FOR SHEET GLASS**

3,603,455	9/1971	Bareiss	220/4.24	X
3,615,006	10/1971	Freed	206/454	
3,618,755	11/1971	Kean, Sr. et al.	206/454	X
4,047,612	9/1977	Lohmann	206/454	

[75] Inventor: **Oliver J. Loo, El Cerrito, Calif.**

[73] Assignee: **C & R Loo, Richmond, Calif.**

[**] Term: **14 Years**

[21] Appl. No.: **755,356**

[22] Filed: **Sep. 5, 1991**

[52] U.S. Cl. **D9/432**

[58] Field of Search **D9/414-423, D9/424, 432, 337, 435; 206/449, 454, 453, 484, 207, 349, 397, 338; 220/315, 324, 334, 380, 639, 641, 643; D3/76-79**

Primary Examiner—Bernard Ansher
Assistant Examiner—Prabhakar Deshmukh
Attorney, Agent, or Firm—Burns, Doane, Swecker & Mathis

[57] CLAIM

The ornamental design for packing container for sheet glass, as shown and described.

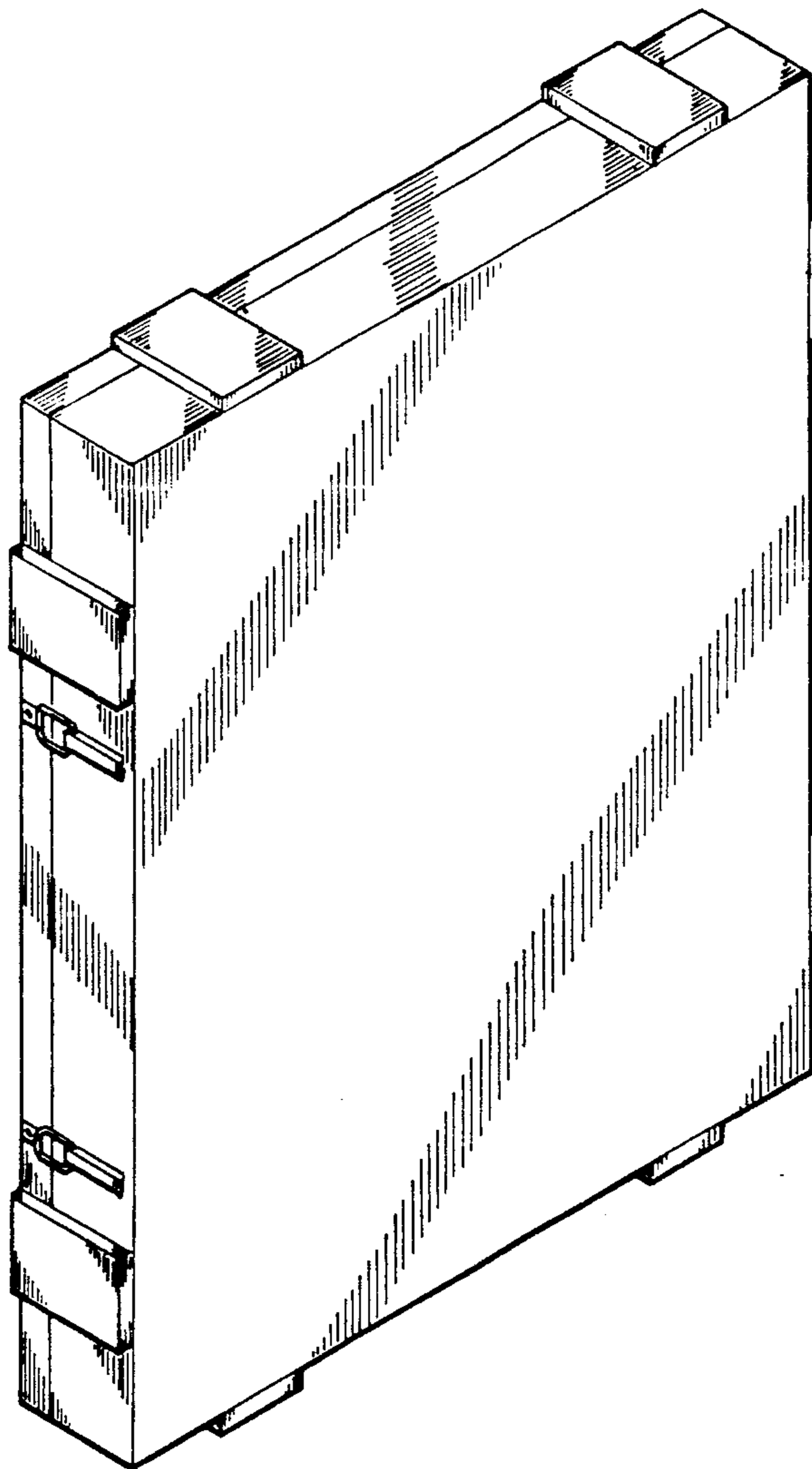
DESCRIPTION

FIG. 1 is a perspective view of a packing container for sheet glass showing my new design;
FIG. 2 is a front elevational view thereof; the rear elevational view being a mirror image thereof;
FIG. 3 is a left side elevational view thereof;
FIG. 4 is a right side elevational view thereof; and,
FIG. 5 is a top plan view thereof; the bottom plan view being a mirror image thereof.

[56] References Cited

U.S. PATENT DOCUMENTS

D. 295,463	5/1988	Baptiste	D3/77	
D. 322,725	12/1991	Strickland, III	D3/78	X
2,442,541	6/1948	Fox	220/DIG. 26	X
2,923,400	2/1960	Craig	220/4.26	X
3,371,208	2/1968	Brackett et al.	206/454	X



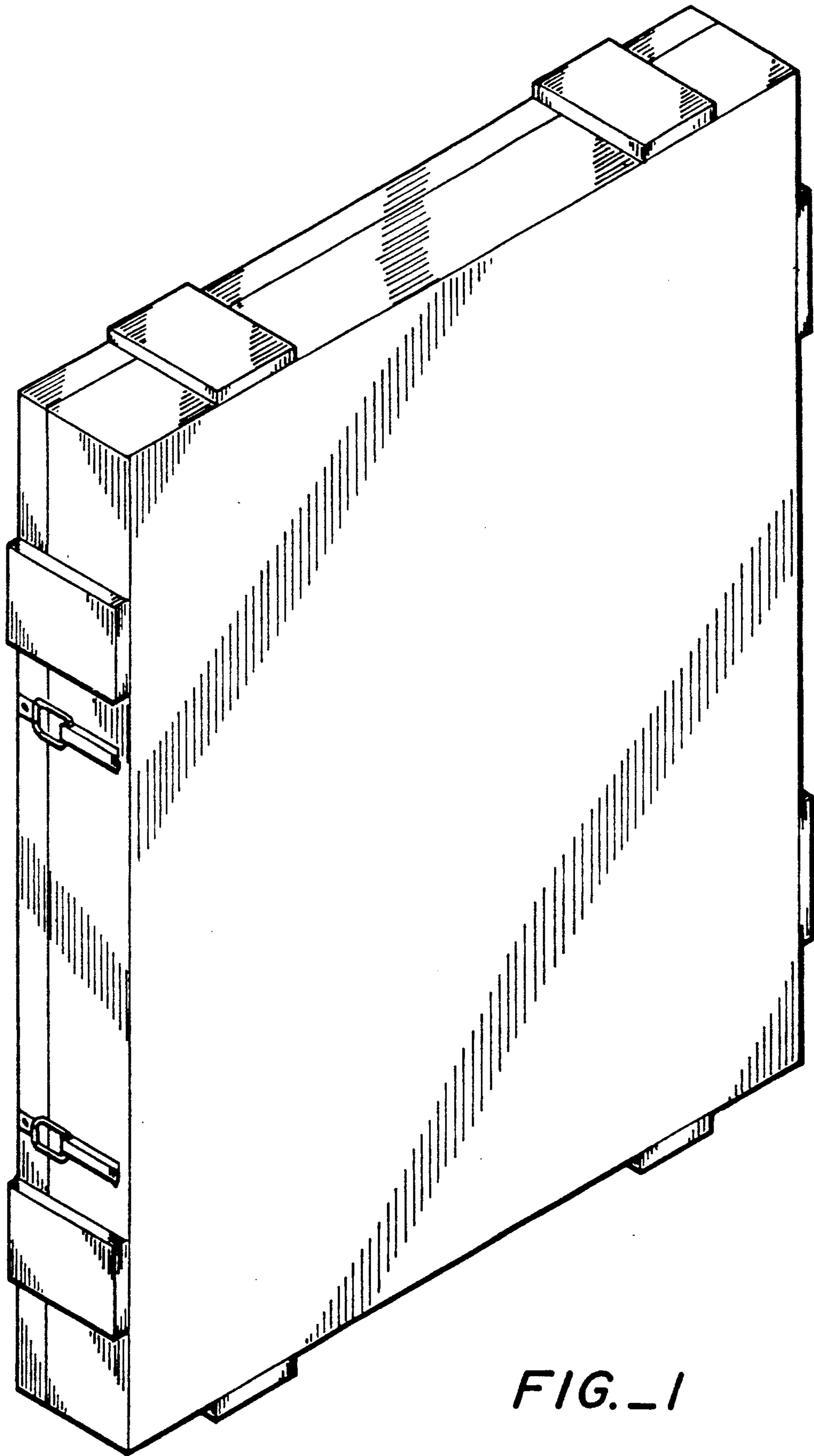


FIG. 1

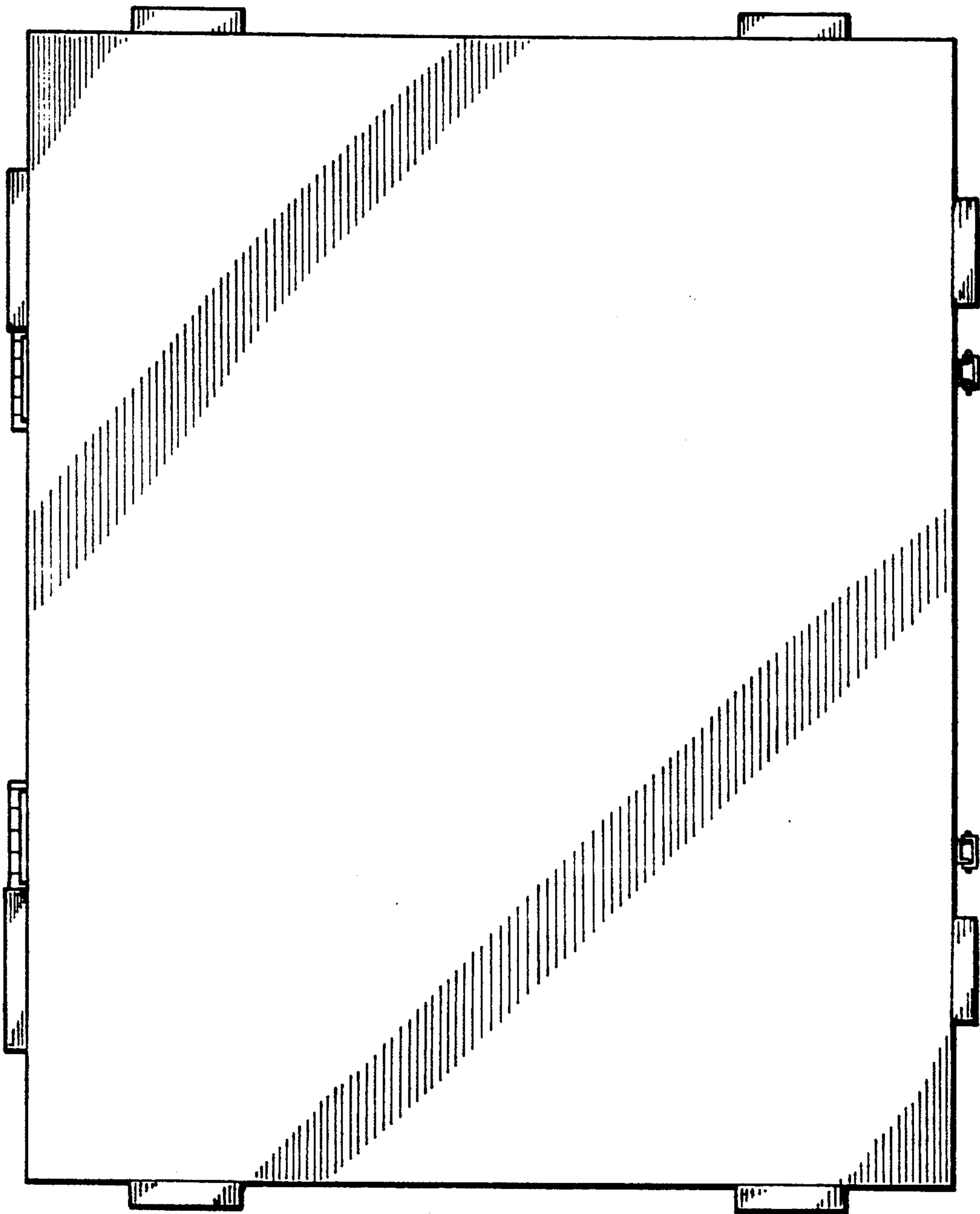


FIG. 2

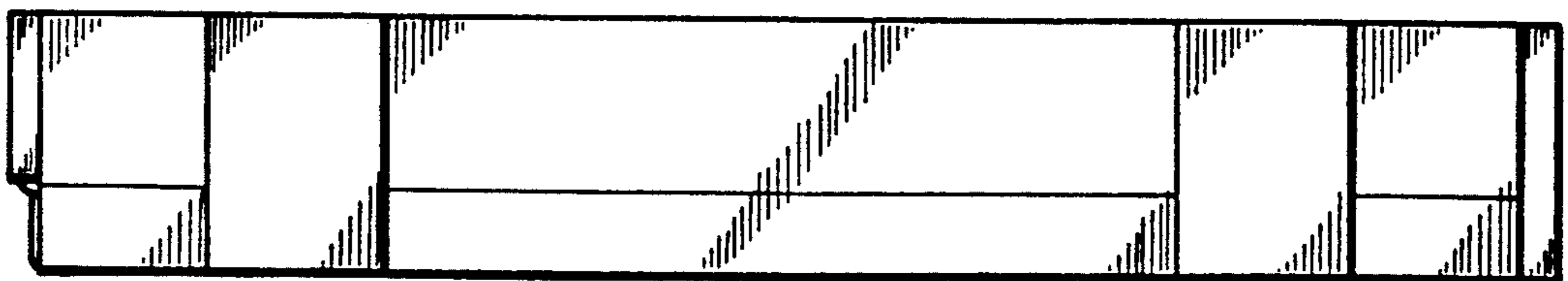


FIG. 5

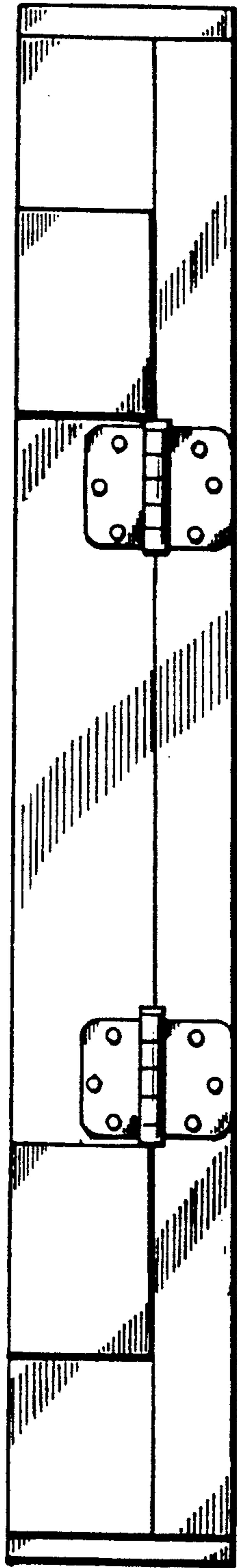


FIG. 3

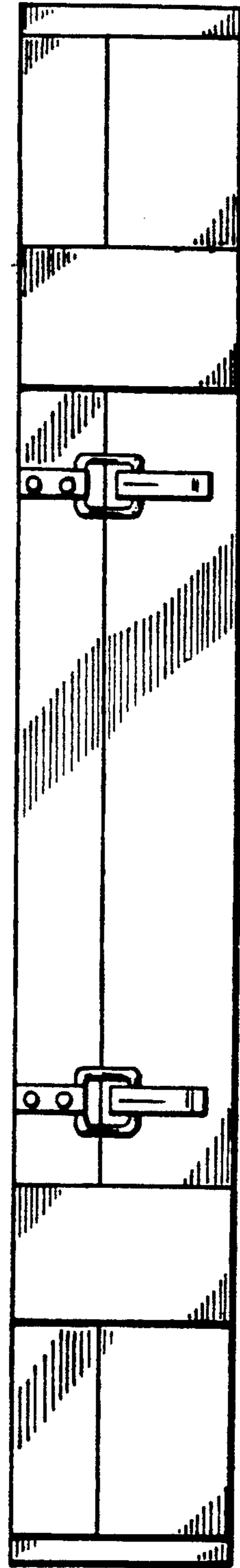


FIG. 4