



US00D336850S

# United States Patent [19]

[11] Patent Number: **Des. 336,850**

**Guillin**

[45] Date of Patent: **\*\* Jun. 29, 1993**

[54] **CONTAINER**

[76] Inventor: **Francois Guillin**, Chemin des Vignes, 25920 Mouthier-Haute-Pierre, France

[\*\*] Term: **14 Years**

[21] Appl. No.: **736,133**

[22] Filed: **Jul. 26, 1991**

[30] **Foreign Application Priority Data**

Feb. 11, 1991 [FR] France ..... 911289

[52] U.S. Cl. .... **D9/429; D9/425; D9/428**

[58] Field of Search ..... **D9/424, 425, 428, 429, D9/430; 220/4.26, 4.27, 334, 337, 377, 602, 662, 657, 669, 339; 229/2.5 R, 902, 906, 4.5, 160.2**

[56] **References Cited**

**U.S. PATENT DOCUMENTS**

D. 212,678	11/1968	Swett	.....	D7/629
D. 285,906	9/1986	Tyler	.....	D9/425
D. 296,191	6/1988	Yoshida et al.	.....	D9/425
3,155,267	11/1964	Swett	.....	D7/629 X
3,424,342	1/1969	Scopp et al.	.....	D9/428 X

4,373,642	2/1983	Wolters et al.	.....	220/657 X
4,753,351	6/1988	Guillin	.....	206/518 X
5,036,997	8/1991	May et al.	.....	220/337 X

**OTHER PUBLICATIONS**

Modern Packaging, Jun. 1977, p. 18.  
Gifts & Decorative Accessories, Nov. 1975, p. 39 Set of China Stacking Bowls, top left of the page.

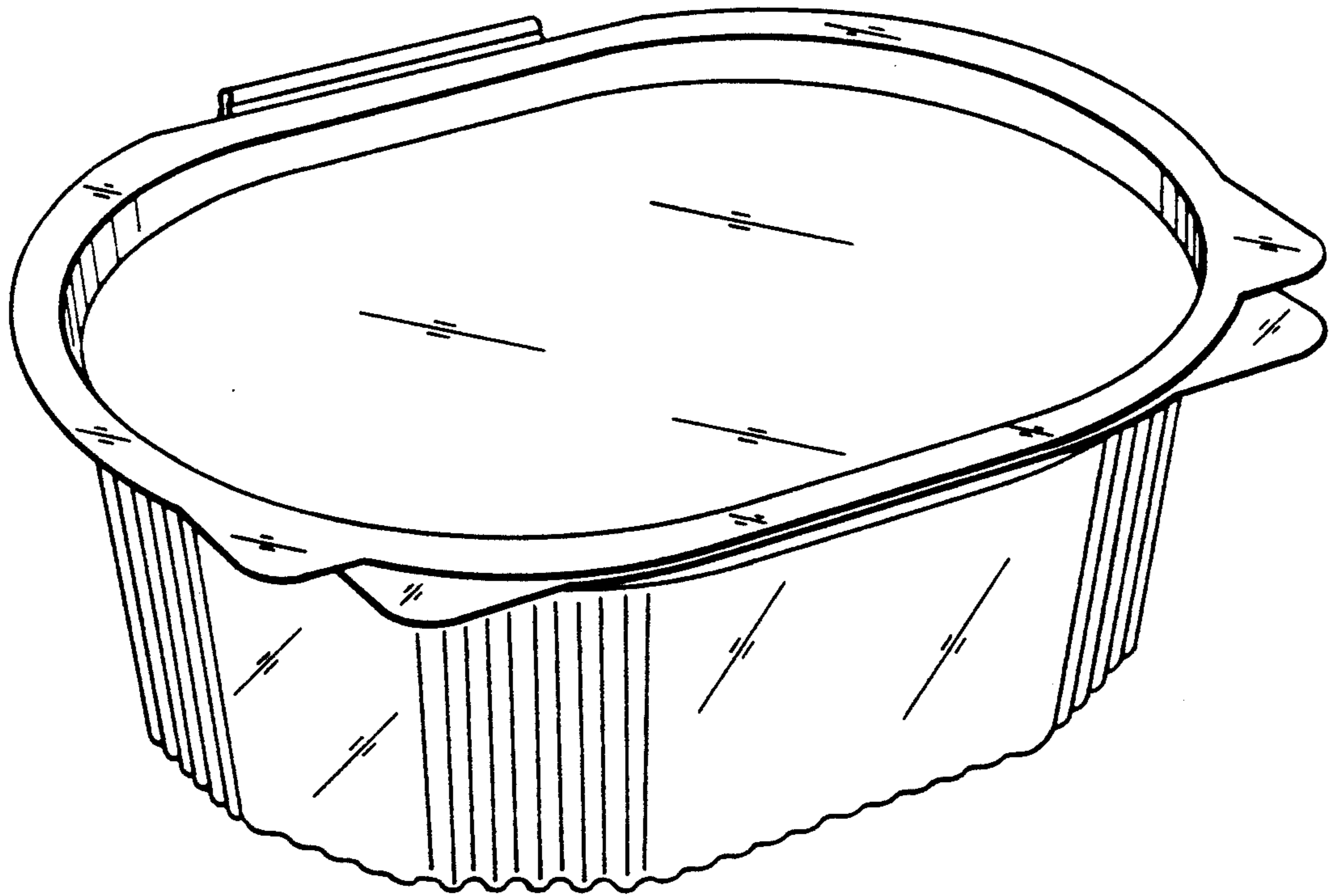
*Primary Examiner*—Bernard Ansher  
*Assistant Examiner*—Prabhakar Deshmukh  
*Attorney, Agent, or Firm*—Mason, Fenwick & Lawrence

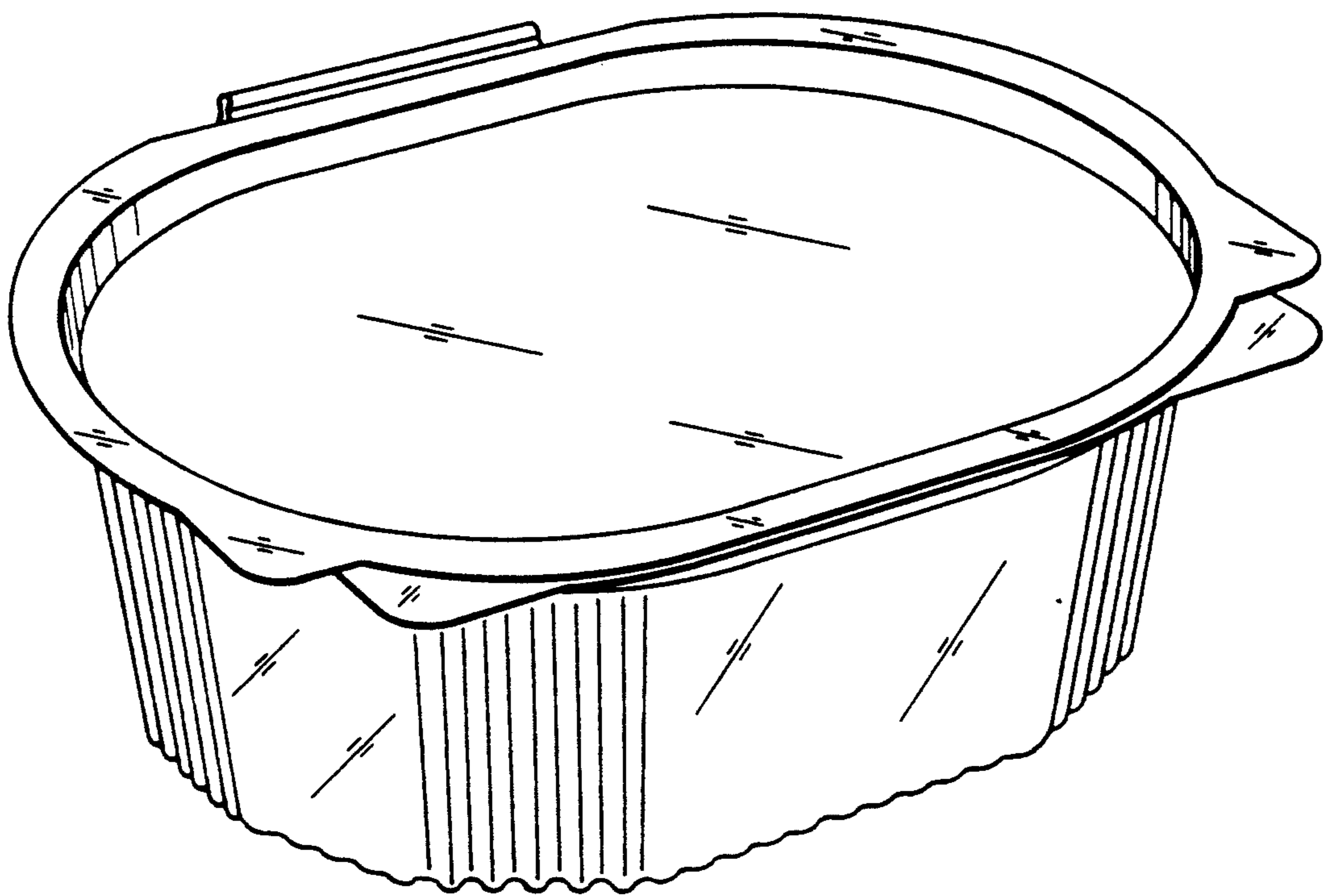
[57] **CLAIM**

The ornamental design for a container, as shown and described.

**DESCRIPTION**

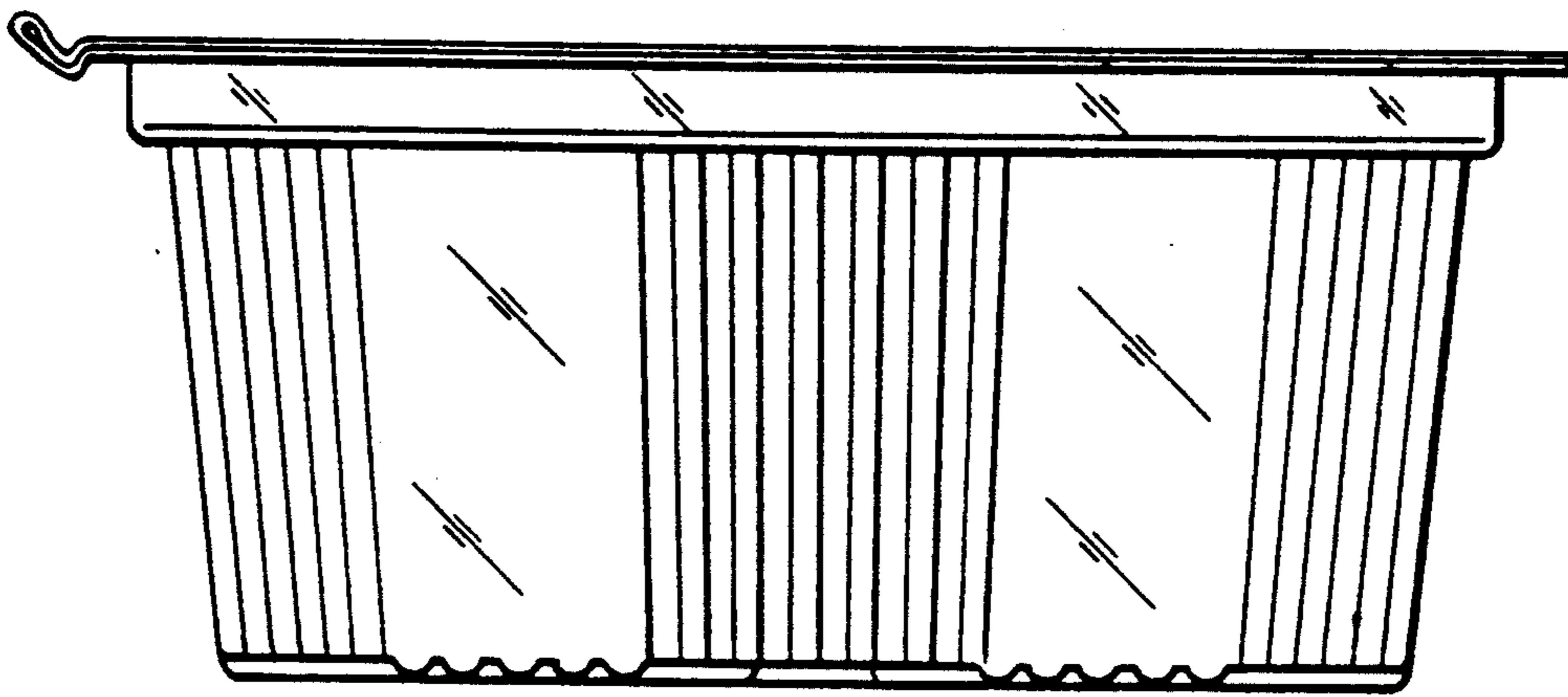
FIG. 1 is a front perspective view of a container showing my new design;  
FIG. 2 is a left side elevational view thereof;  
FIG. 3 is a right side elevational view thereof;  
FIG. 4 is a rear elevational view thereof;  
FIG. 5 is a front elevational view thereof;  
FIG. 6 is a top plan view thereof; and,  
FIG. 7 is a bottom plan view thereof.



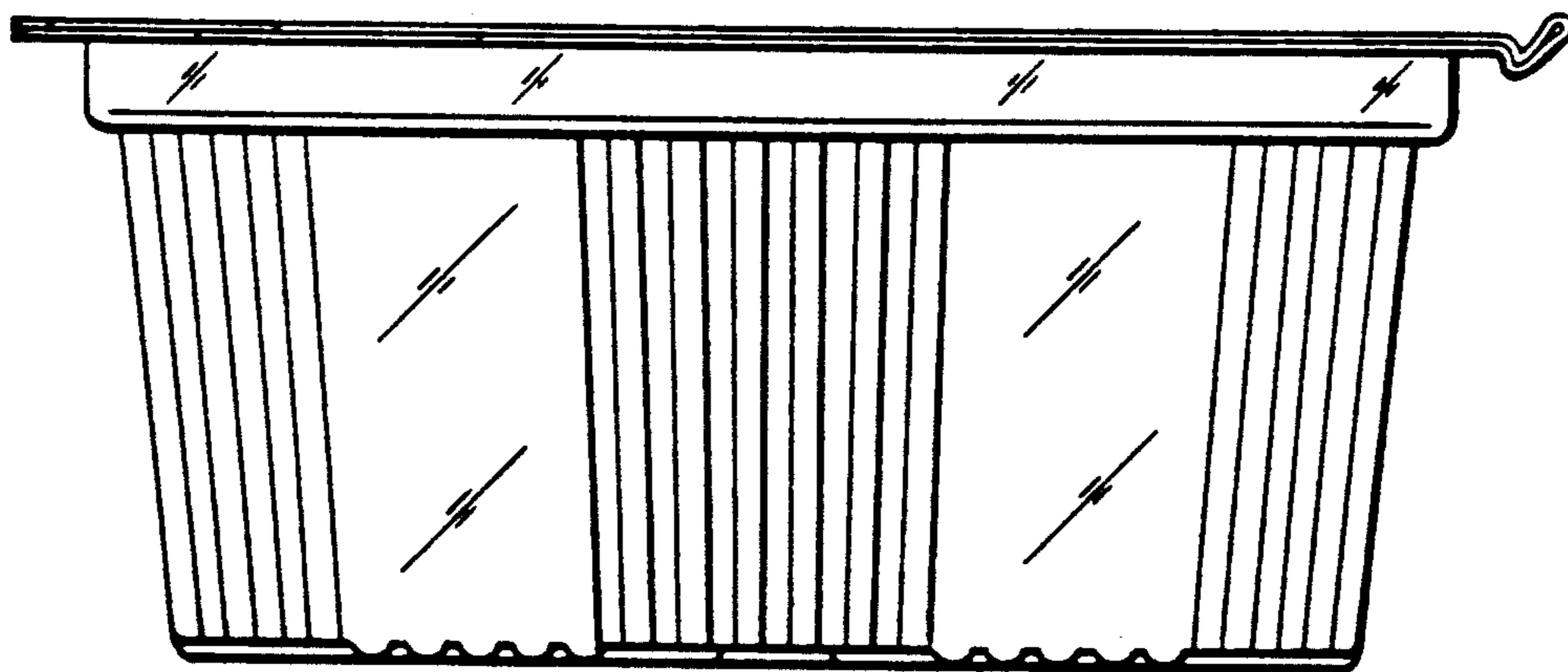


***Fig. 1***

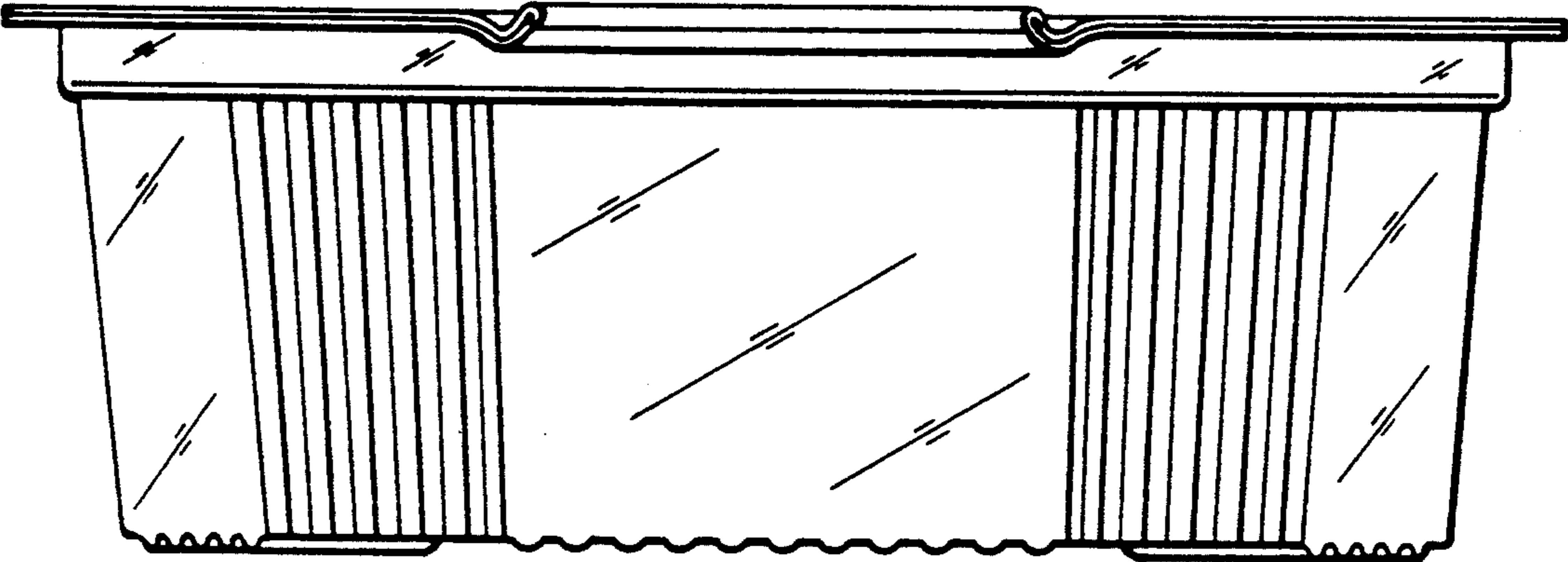
***Fig. 2***



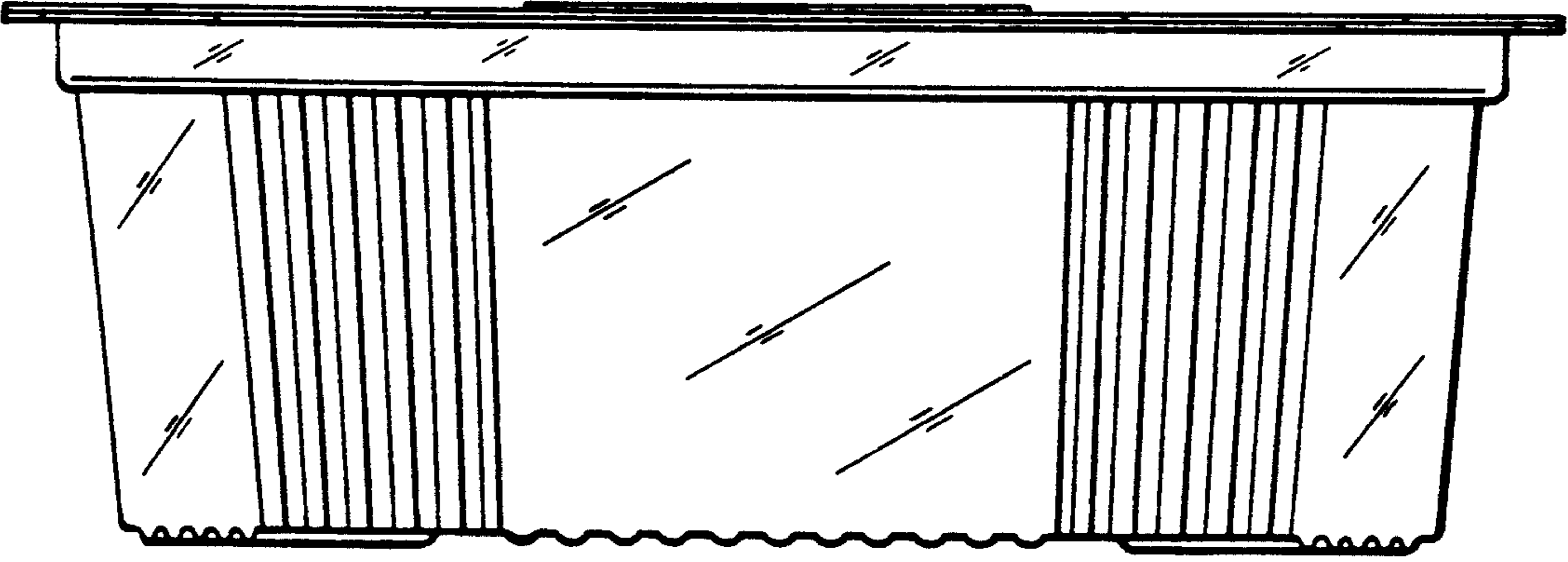
***Fig. 3***



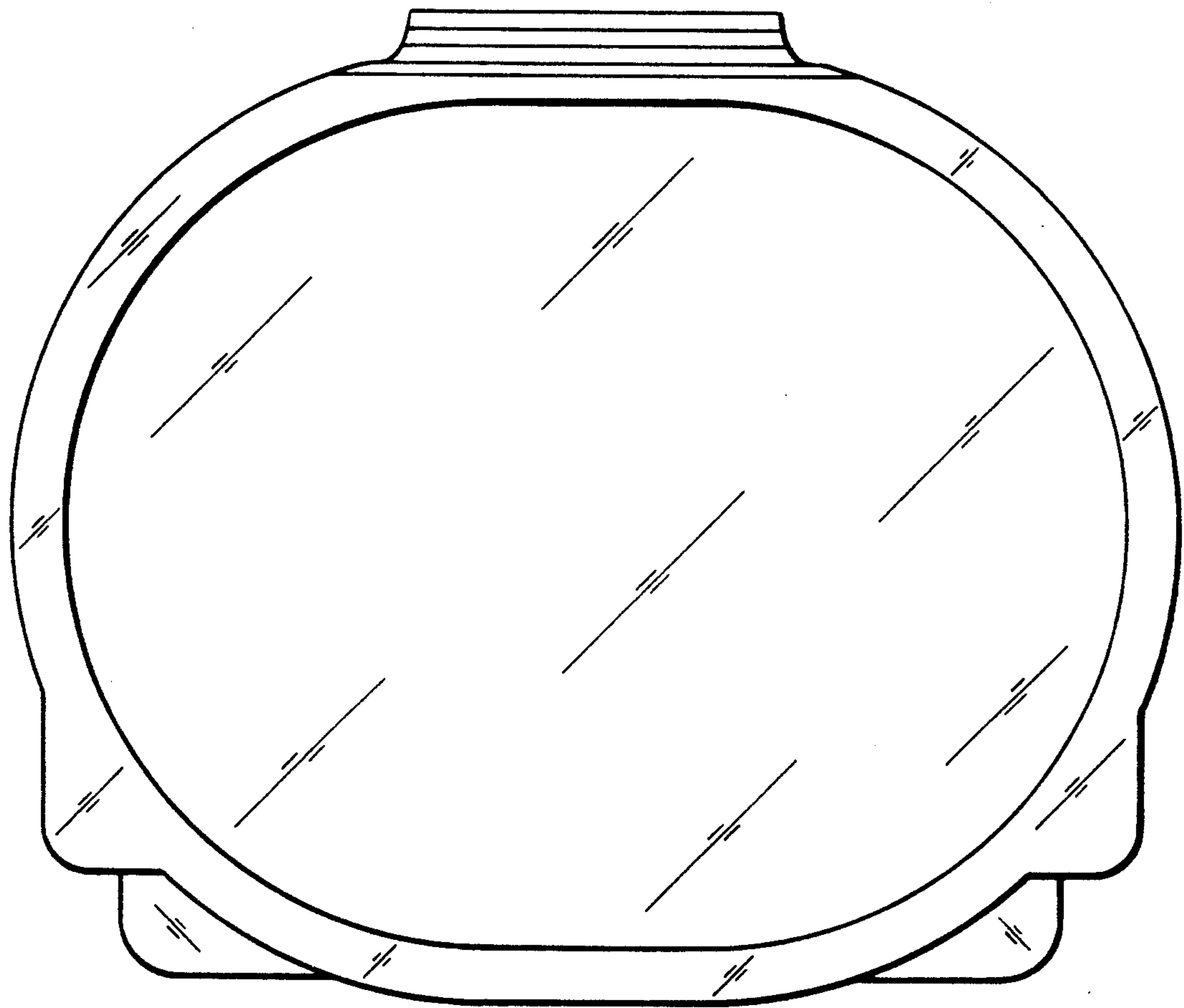
**Fig. 4**



**Fig. 5**



***Fig. 6***





***Fig. 7***

