



US00D336849S

United States Patent [19]

[11] Patent Number: **Des. 336,849**

Golias

[45] Date of Patent: **** Jun. 29, 1993**

- [54] **RESPIRATOR STORAGE BOX**
- [75] Inventor: **Robert J. Golias, Hinckley, Ohio**
- [73] Assignee: **Metal Fabricating Corporation, Cleveland, Ohio**
- [**] Term: **14 Years**
- [21] Appl. No.: **481,121**
- [22] Filed: **Feb. 16, 1990**
- [52] U.S. Cl. **D9/423; D9/432**
- [58] Field of Search **D9/420-423, D9/414, 432, 337, 341; 206/45.13, 45.17, 569, 570, 571, 370, 363, 525, 526, 806; D3/73, 74; D6/555, 559, 329; D24/164**

4,660,715 4/1987 Anastos 206/806 X
 4,700,831 10/1987 Kassai 206/45.13 X

OTHER PUBLICATIONS

Jewelers Circular Keystone Jun. 1980 p. 125, top right of the page.

Primary Examiner—Bernard Ansher
Assistant Examiner—Prabhakar Deshmukh
Attorney, Agent, or Firm—Fay, Sharpe, Beall, Fagan, Minnich & McKee

[57] CLAIM

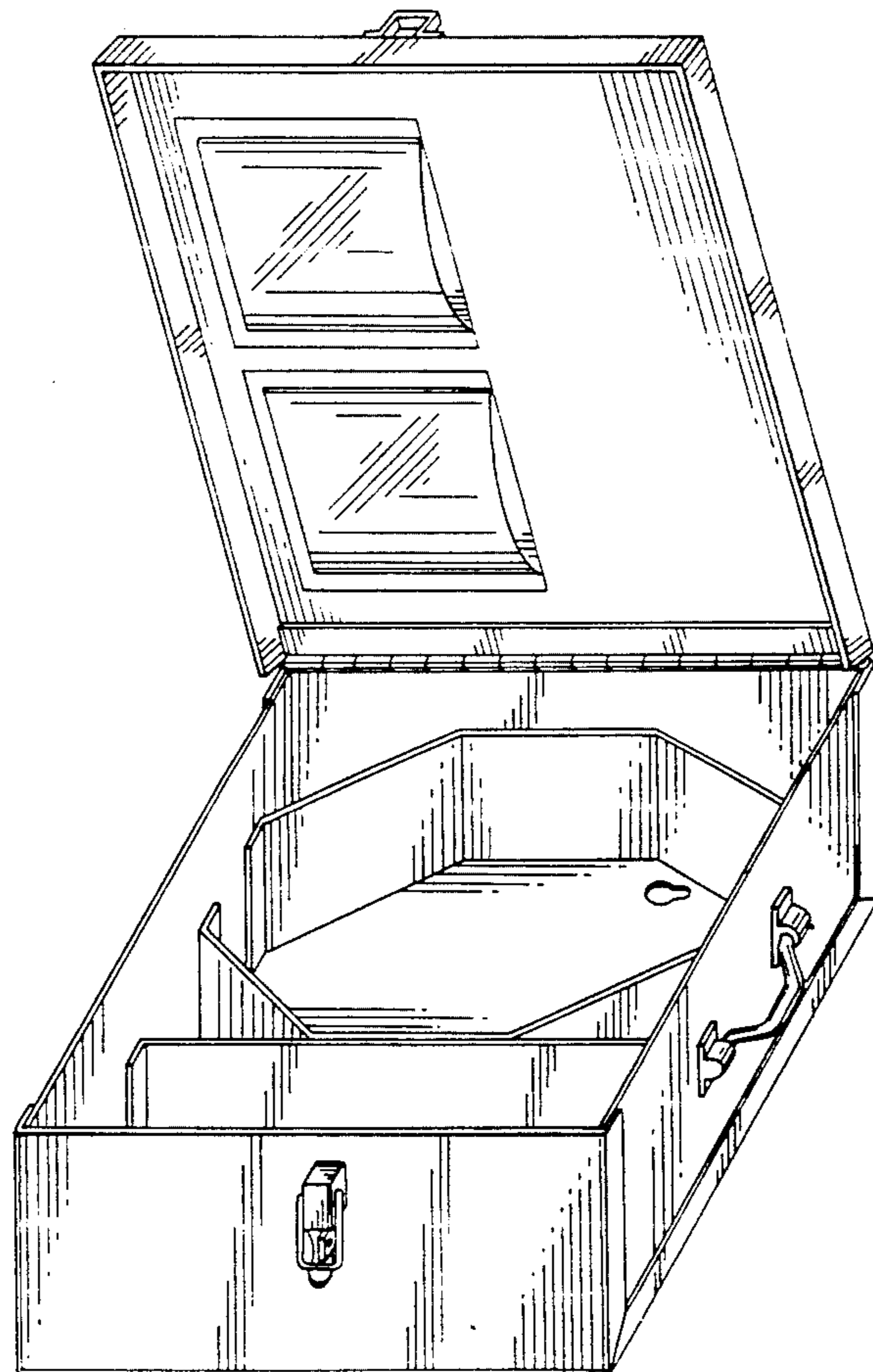
The ornamental design for a respirator storage box, as shown and described.

DESCRIPTION

FIG. 1 is a front elevation view of a respirator storage box showing my new design;
 FIG. 2 is a right side elevation view thereof;
 FIG. 3 is a left side elevation view thereof;
 FIG. 4 is a bottom plan view thereof;
 FIG. 5 is a top plan view thereof;
 FIG. 6 is a front perspective view thereof;
 FIG. 7 is a rear perspective view thereof; and,
 FIG. 8 is an enlarged scale perspective view thereof, in an open position.

[56] **References Cited**
U.S. PATENT DOCUMENTS

D. 244,072	4/1977	Schaecher	D6/555
D. 254,028	1/1980	McKenzie	D24/164 X
D. 280,791	10/1985	Farkas	D6/559
1,487,014	3/1924	Davis	206/570
3,653,567	4/1972	Selvaggio	206/570 X
4,194,628	3/1980	Campos	206/570
4,202,451	5/1980	Berkowitz	206/526
4,241,833	12/1980	Luebeke	206/570



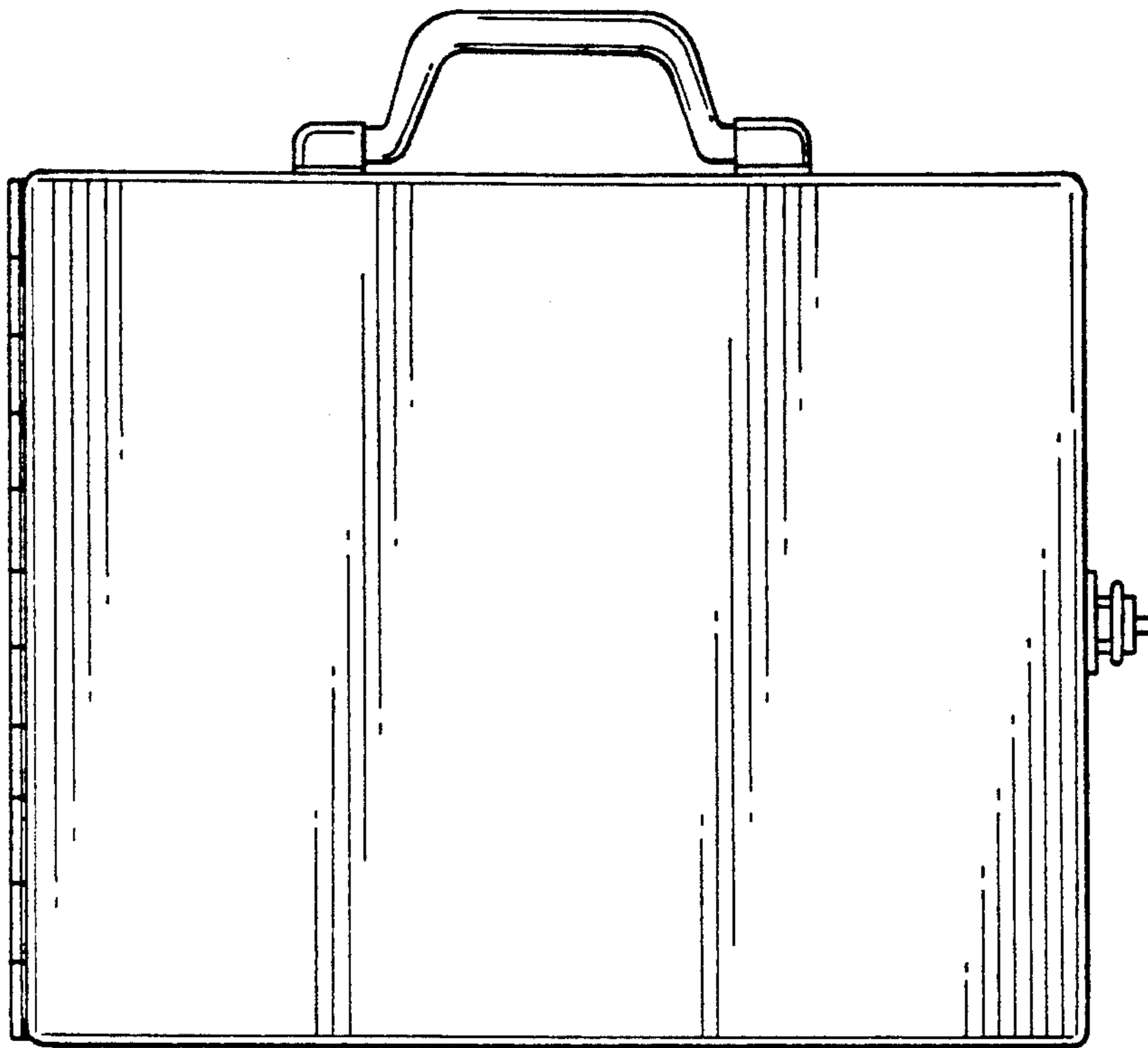


FIG. 1

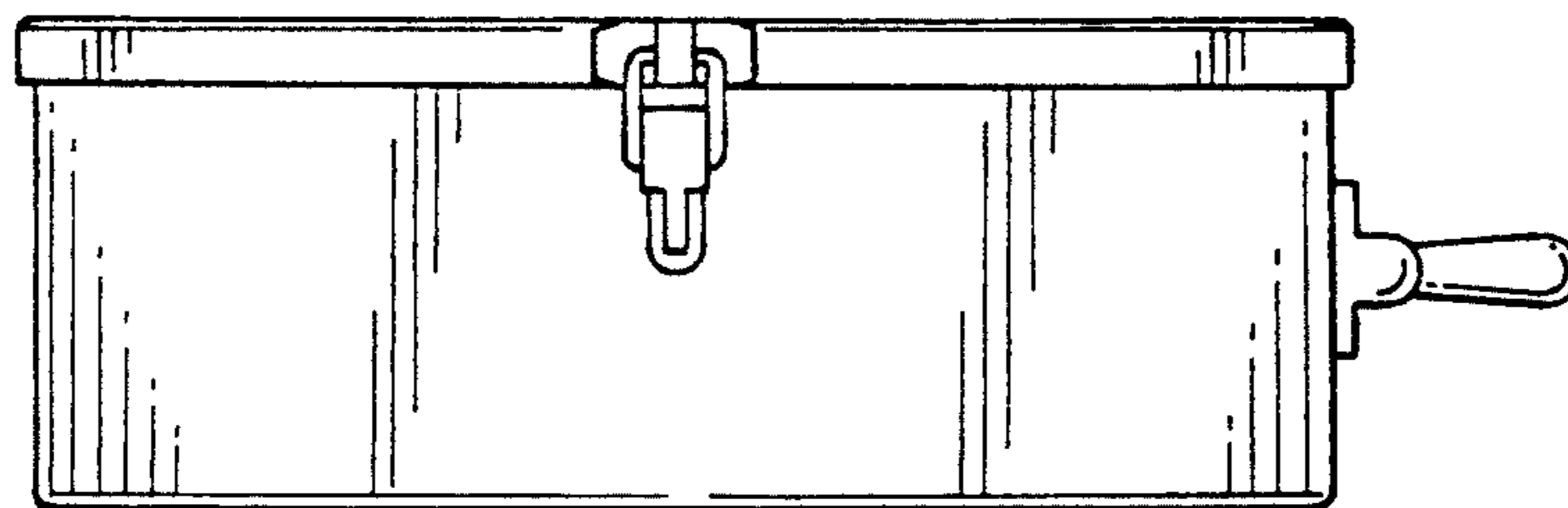


FIG. 2

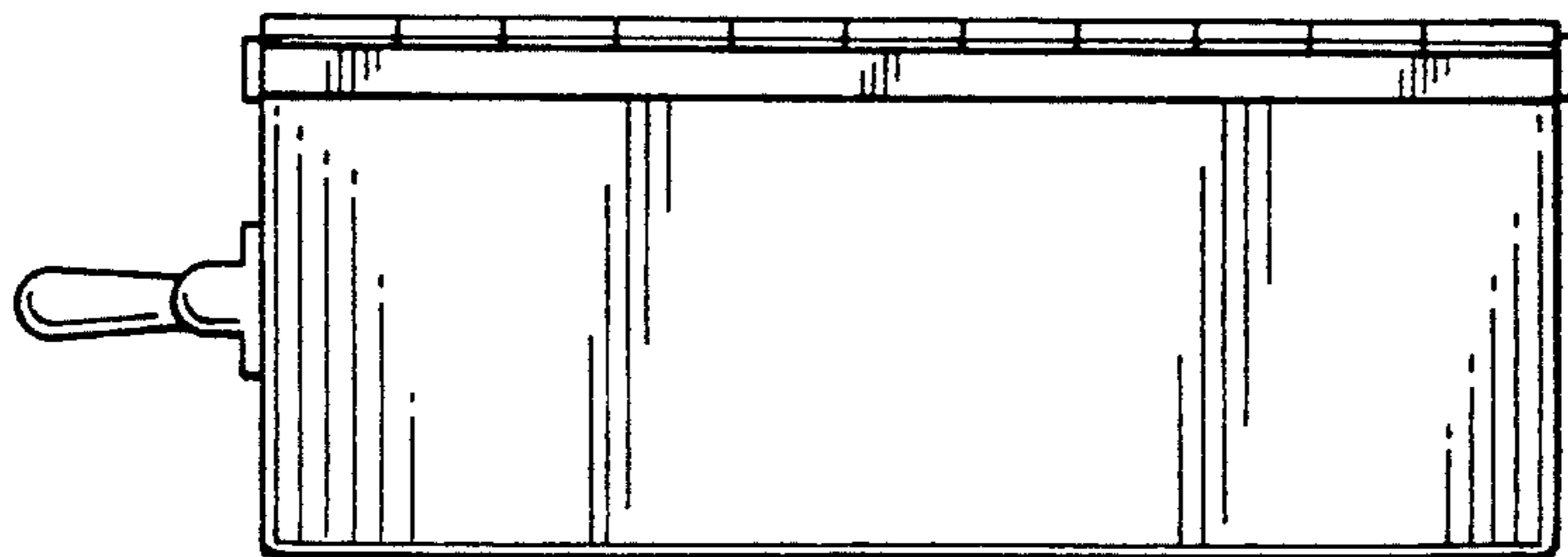


FIG. 3

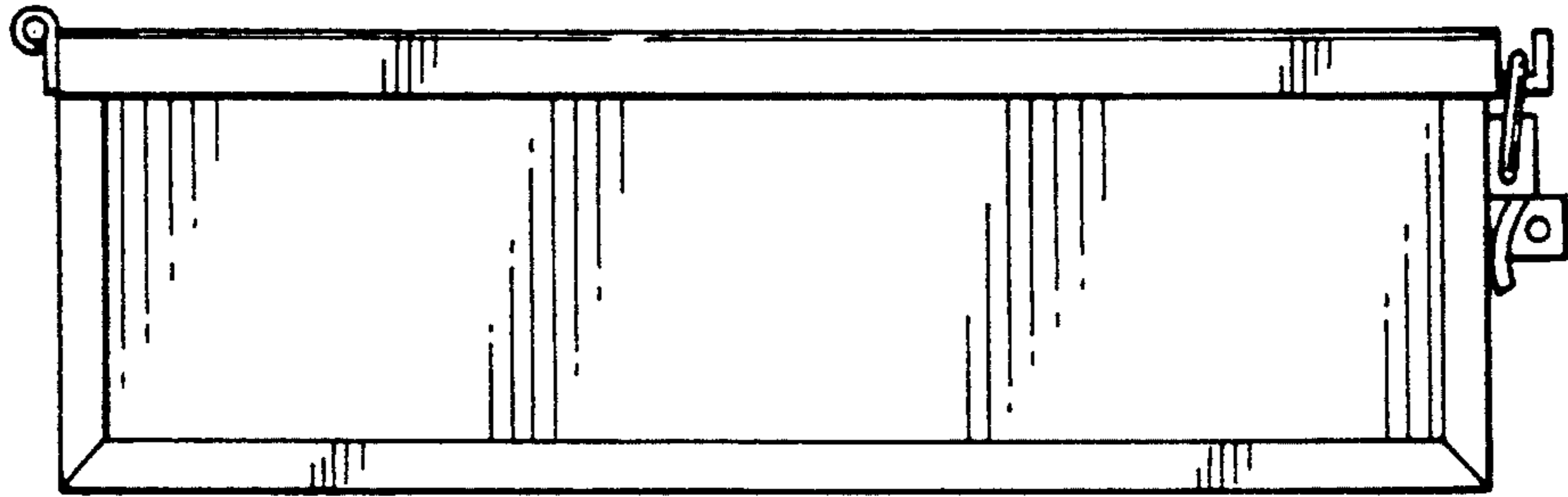


FIG. 4

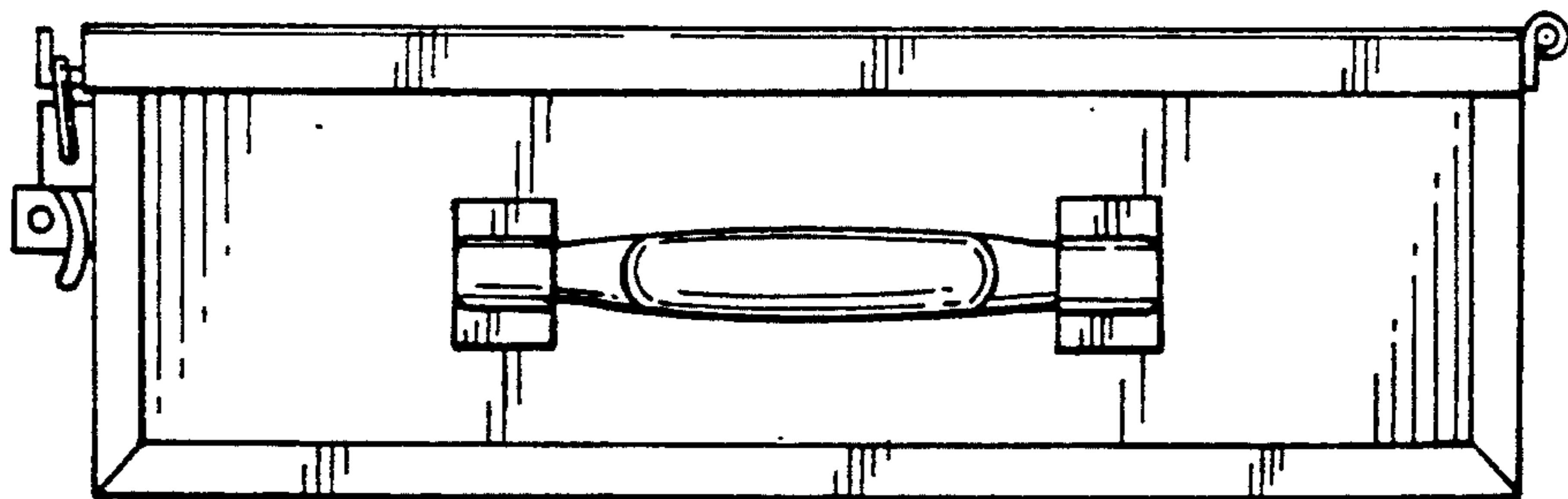


FIG. 5

FIG. 6

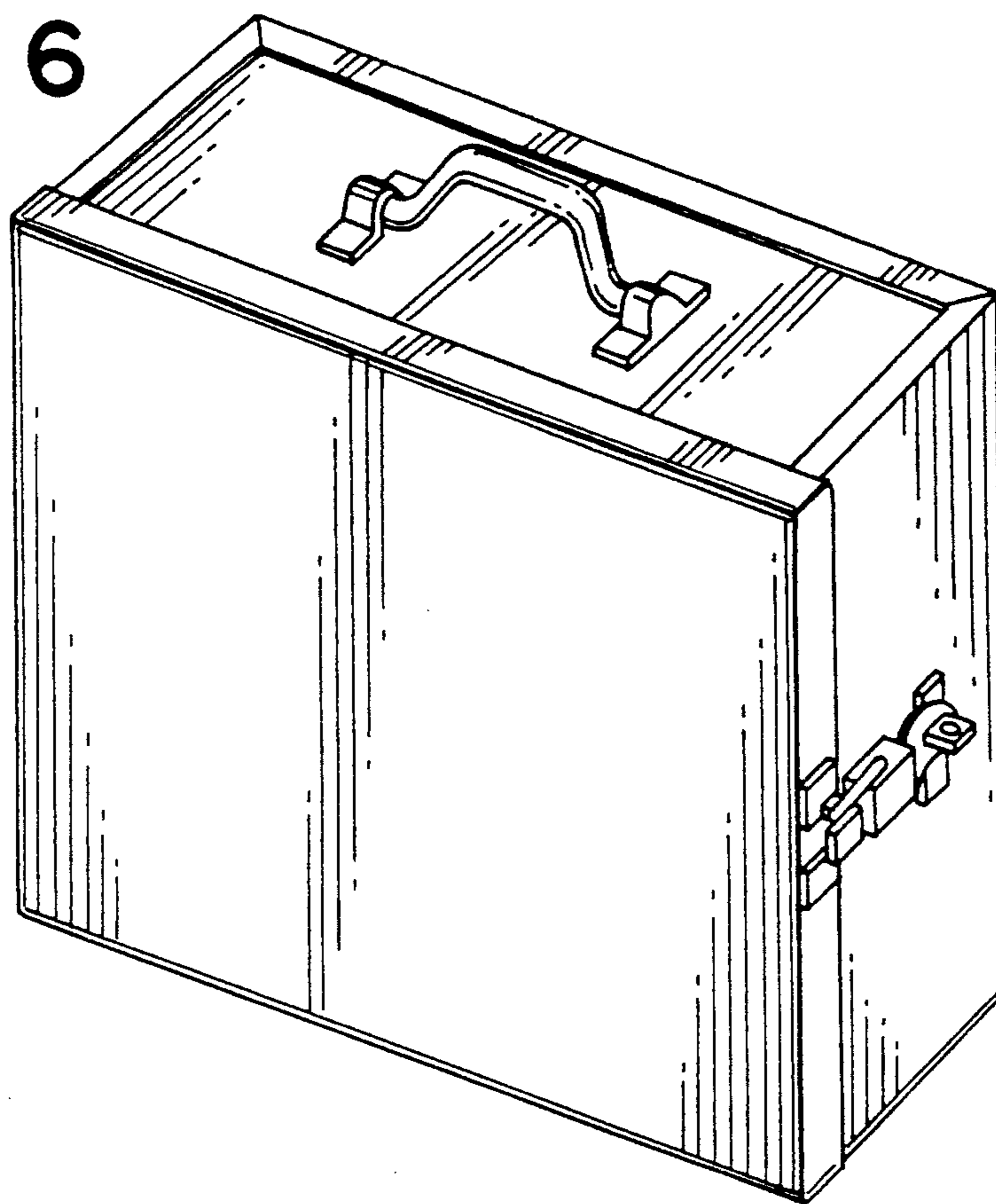
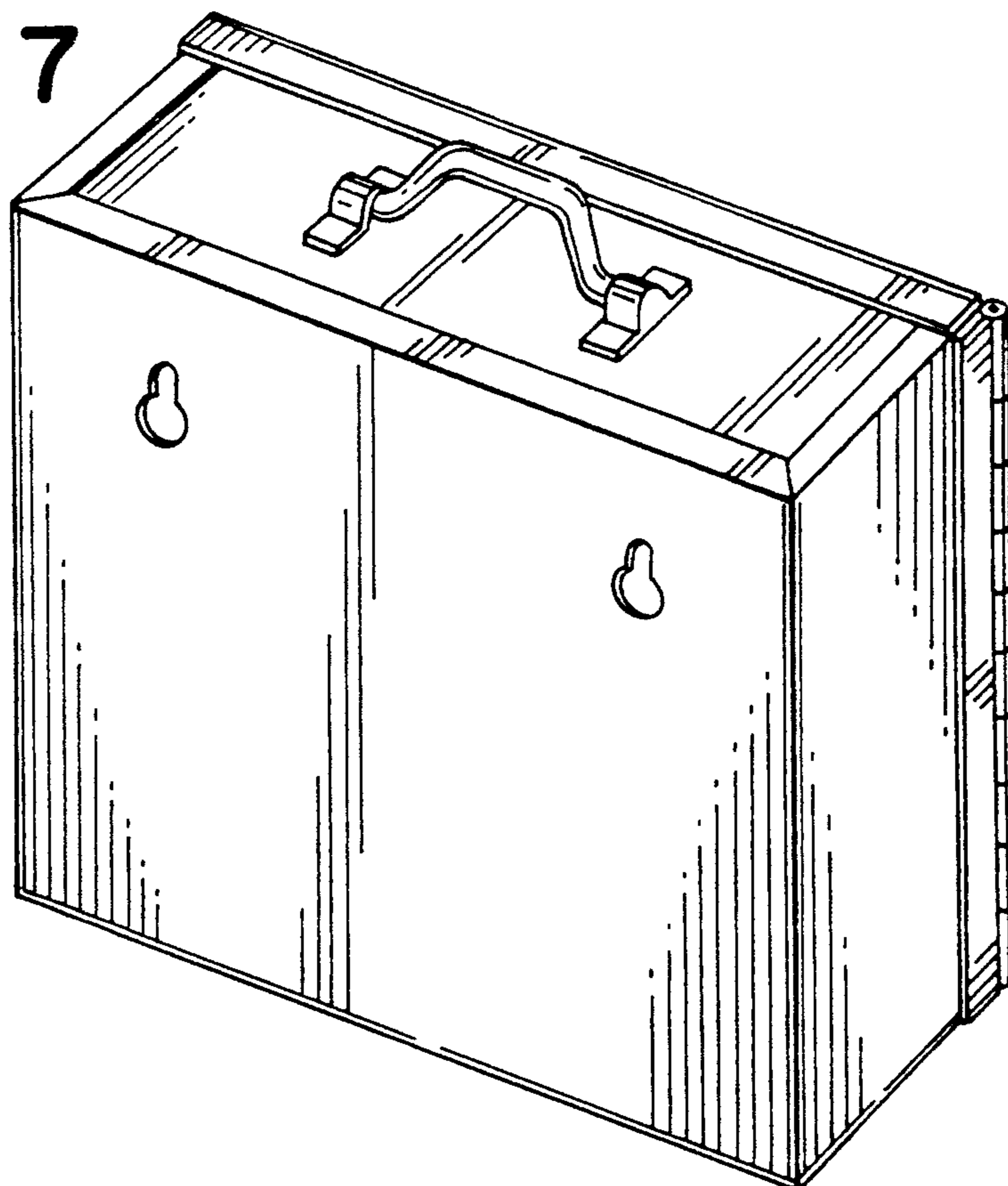


FIG. 7



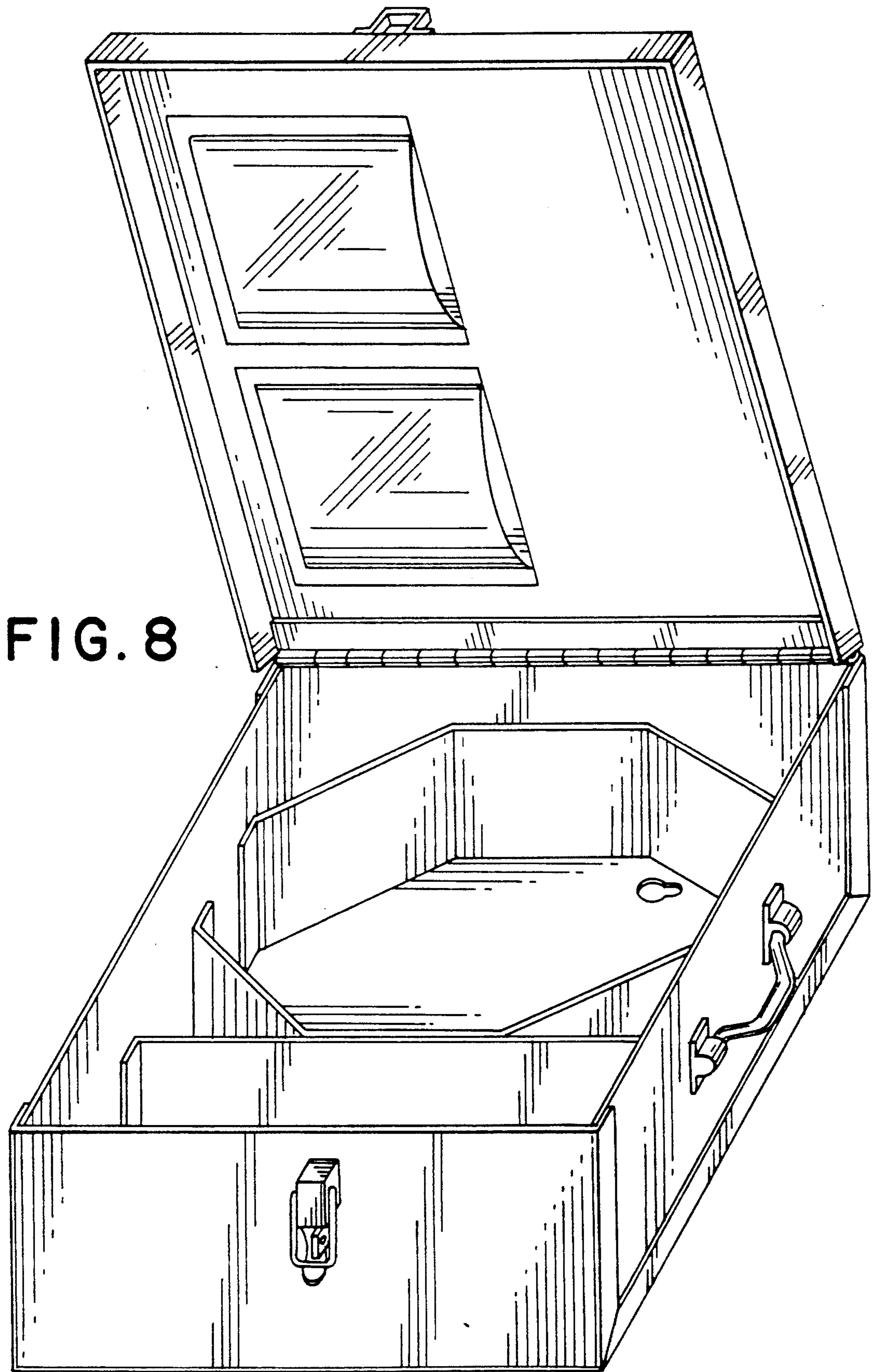


FIG. 8