



US00D336848S

United States Patent [19]

[11] Patent Number: **Des. 336,848**

Chen

[45] Date of Patent: **** Jun. 29, 1993**

[54] **STAMP HOLDER**

[76] Inventor: **Peter Chen**, 14 Self Blvd., Carteret, N.J. 07008

[**] Term: **14 Years**

[21] Appl. No.: **682,019**

[22] Filed: **Apr. 8, 1991**

[52] U.S. Cl. **D9/418; D18/18**

[58] Field of Search 101/333, 334, 327, 405-406; 446/419; 206/45.34, 349, 371; D9/417-418, 432, 424, 437

4,875,411 10/1989 Turner 101/405
4,986,175 1/1991 Boehringer et al. 101/405
5,038,936 8/1991 Borst 206/45.34

FOREIGN PATENT DOCUMENTS

1214250 4/1966 Fed. Rep. of Germany 206/371
2045687 11/1980 United Kingdom 101/405

Primary Examiner—A. Hugo Word
Assistant Examiner—Cathy Anne MacCormac
Attorney, Agent, or Firm—Jonathan B. Schafrann

[57] **CLAIM**

The ornamental design for a stamp holder, as shown.

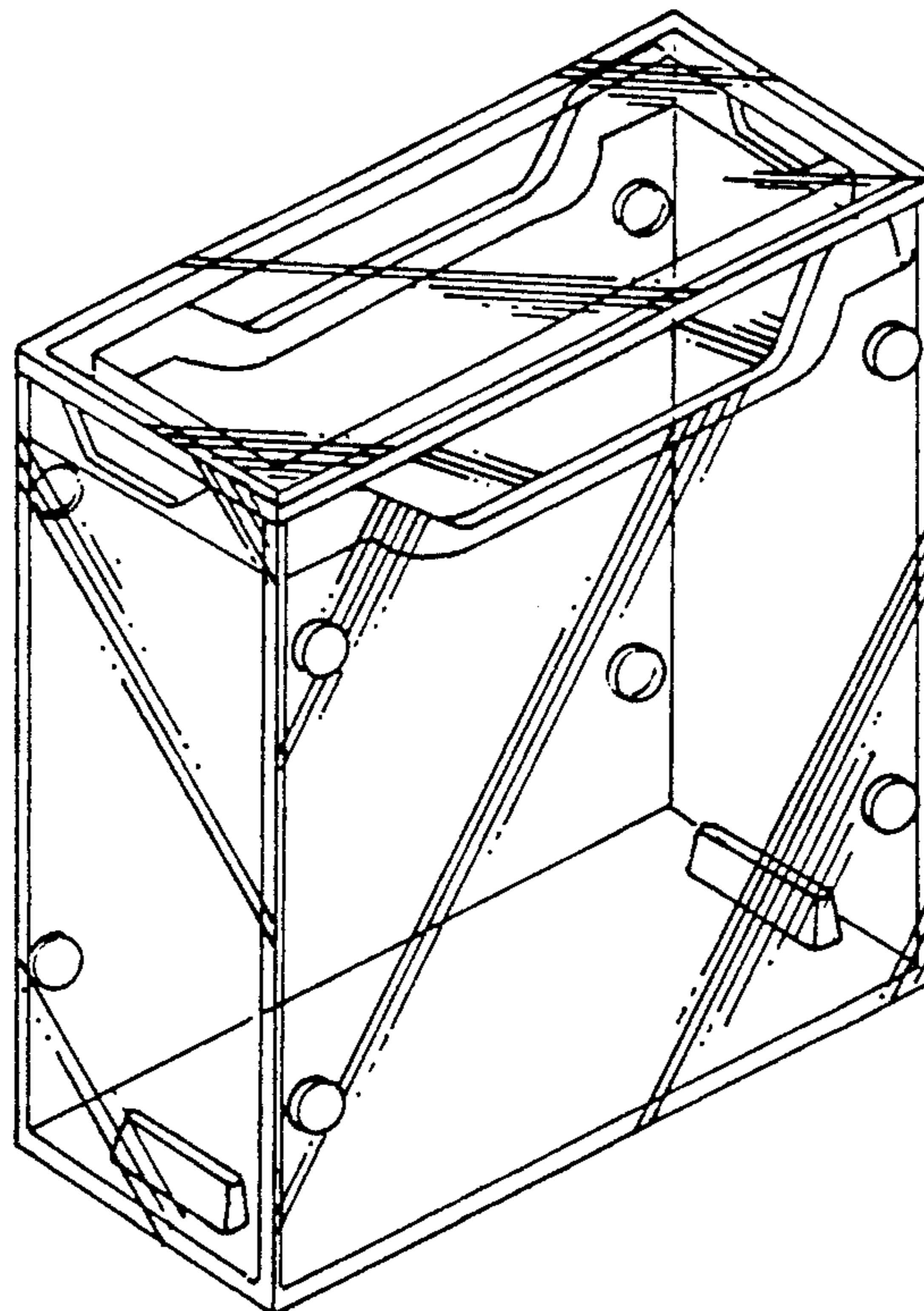
[56] **References Cited**

U.S. PATENT DOCUMENTS

D. 185,617 6/1959 Tapper D9/417
D. 249,870 10/1978 Tillander D9/418
D. 261,479 10/1981 Marks D9/432
D. 317,717 6/1991 Carol D9/418
2,804,198 8/1957 Rekonty 206/371
4,392,425 7/1983 Capezzuto et al. 101/327
4,700,883 10/1987 Vajtay et al. 206/45.34

DESCRIPTION

FIG. 1 is a perspective view of a stamp holder, showing my new design;
FIG. 2 is a front elevational view thereof;
FIG. 3 is a rear elevational view thereof;
FIG. 4 is a left side elevational view thereof;
FIG. 5 is a right side elevational view thereof;
FIG. 6 is a top plan view thereof; and,
FIG. 7 is a bottom plan view thereof.



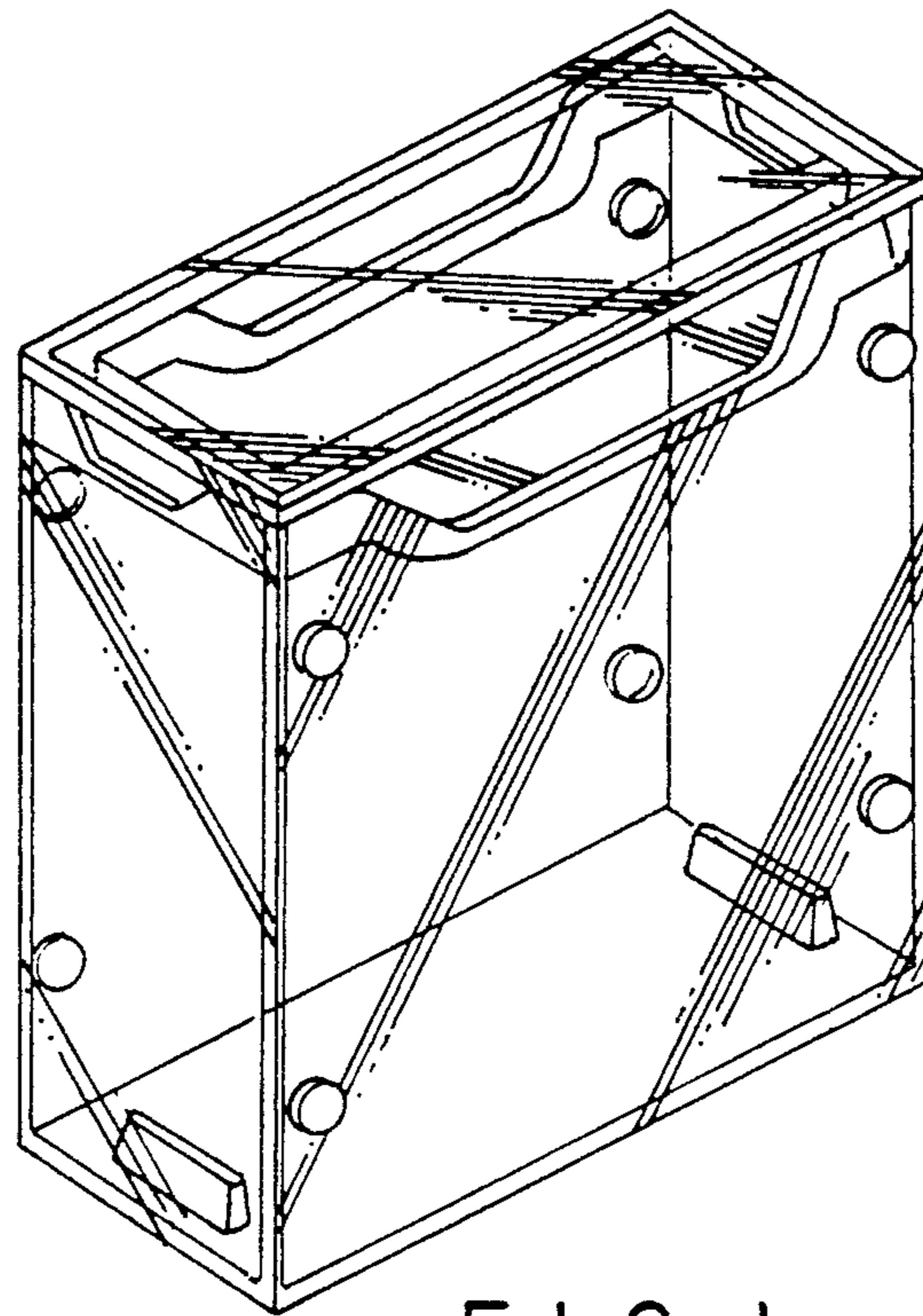


FIG. 1

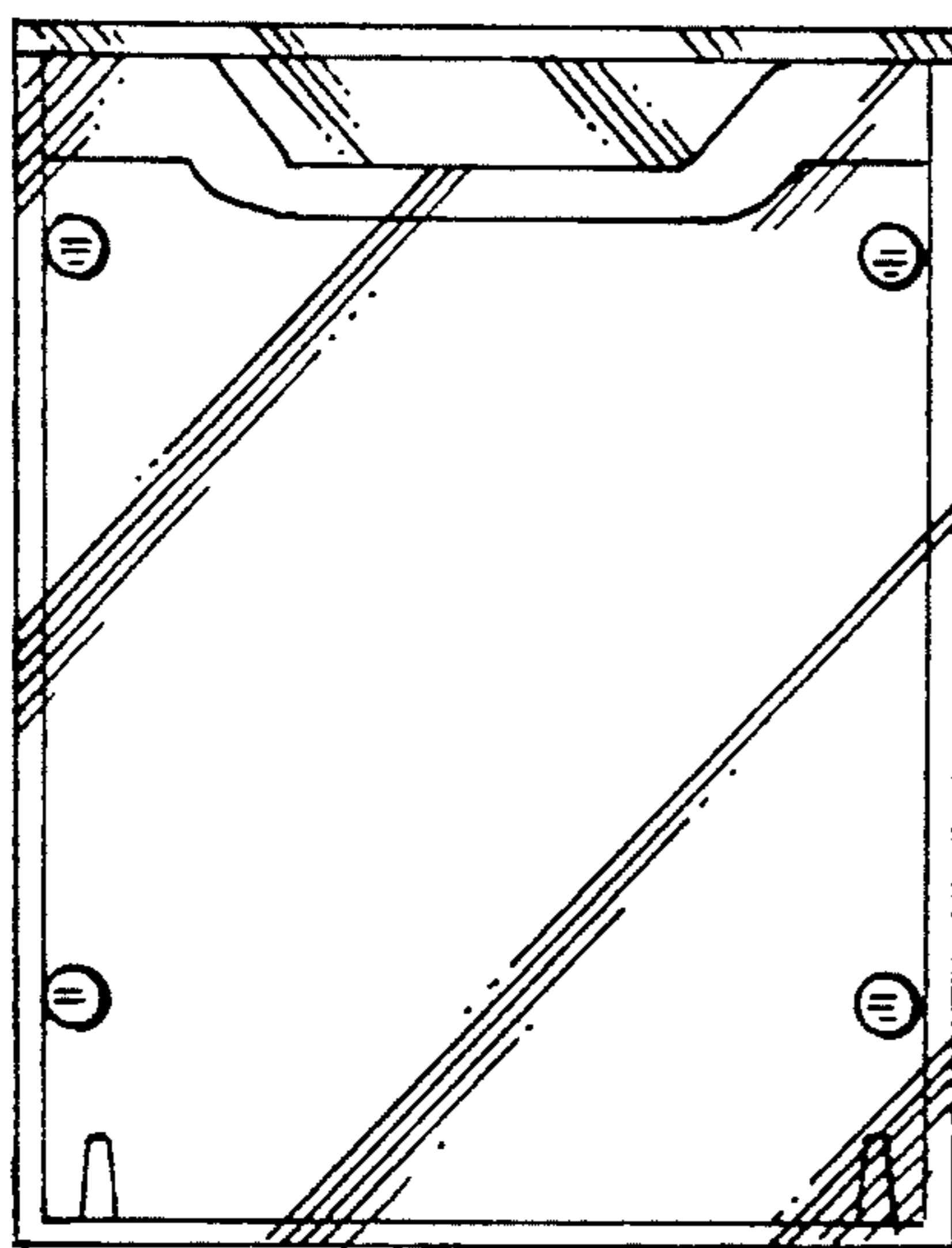


FIG. 2

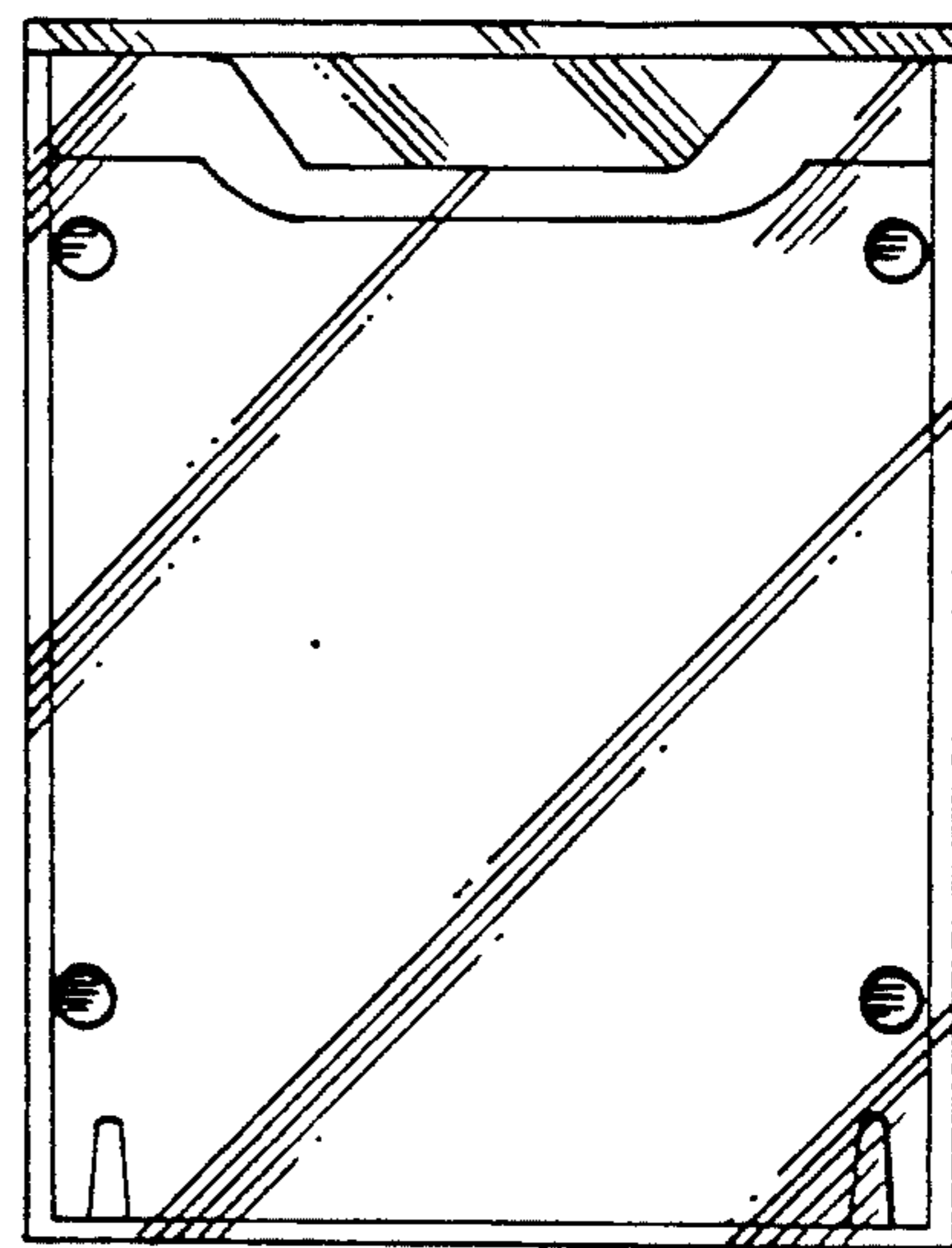


FIG. 3

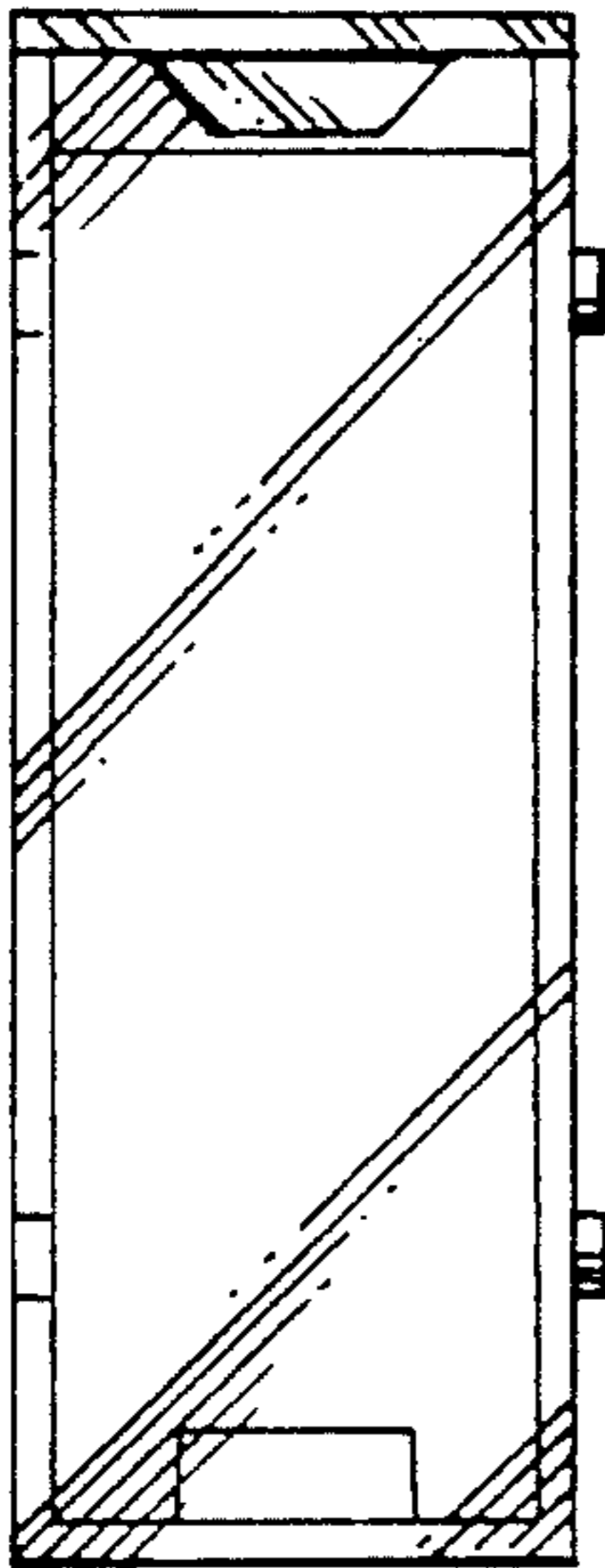


FIG. 4

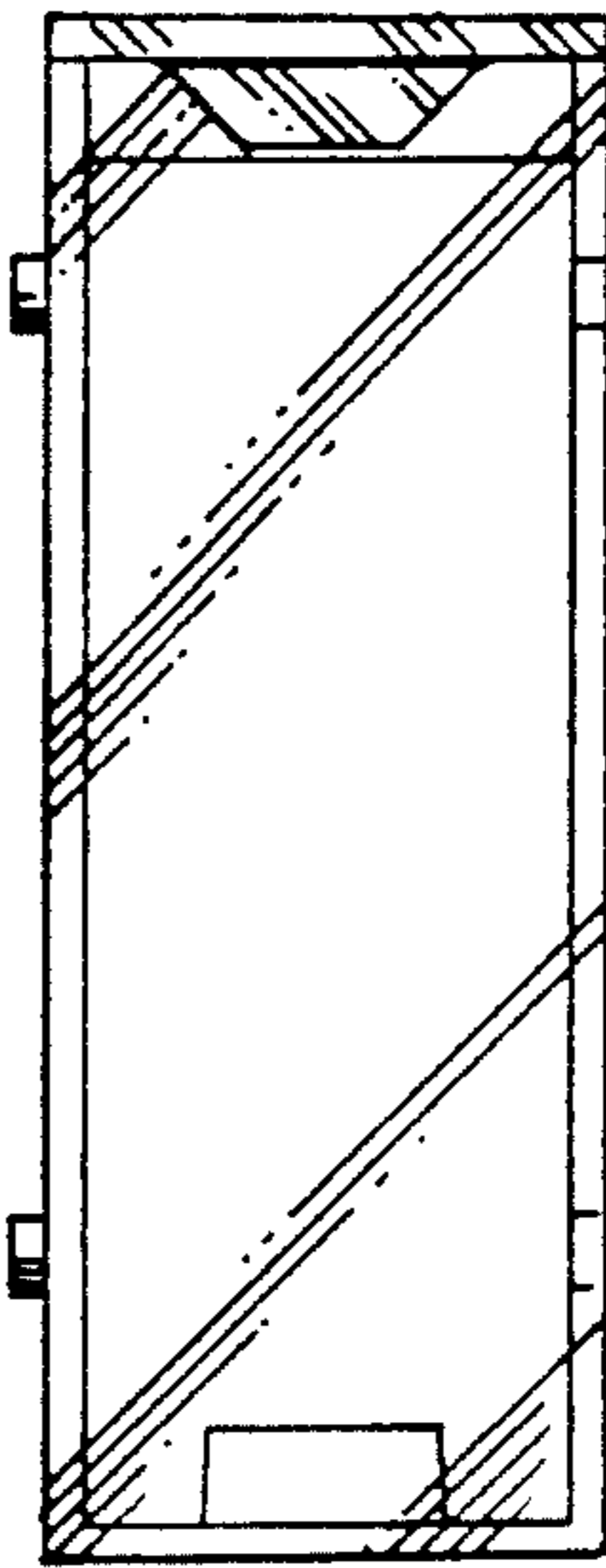


FIG. 5

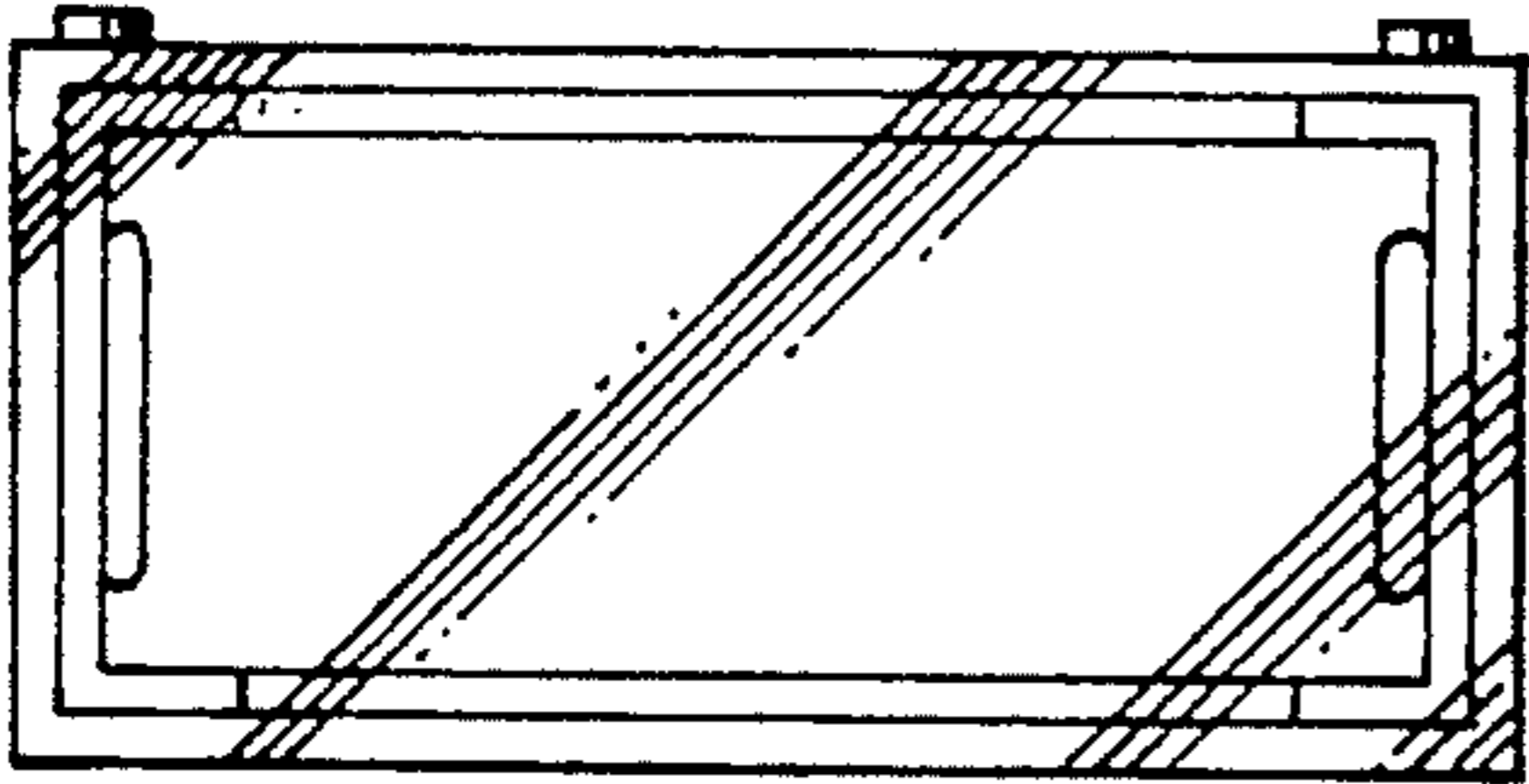


FIG. 6

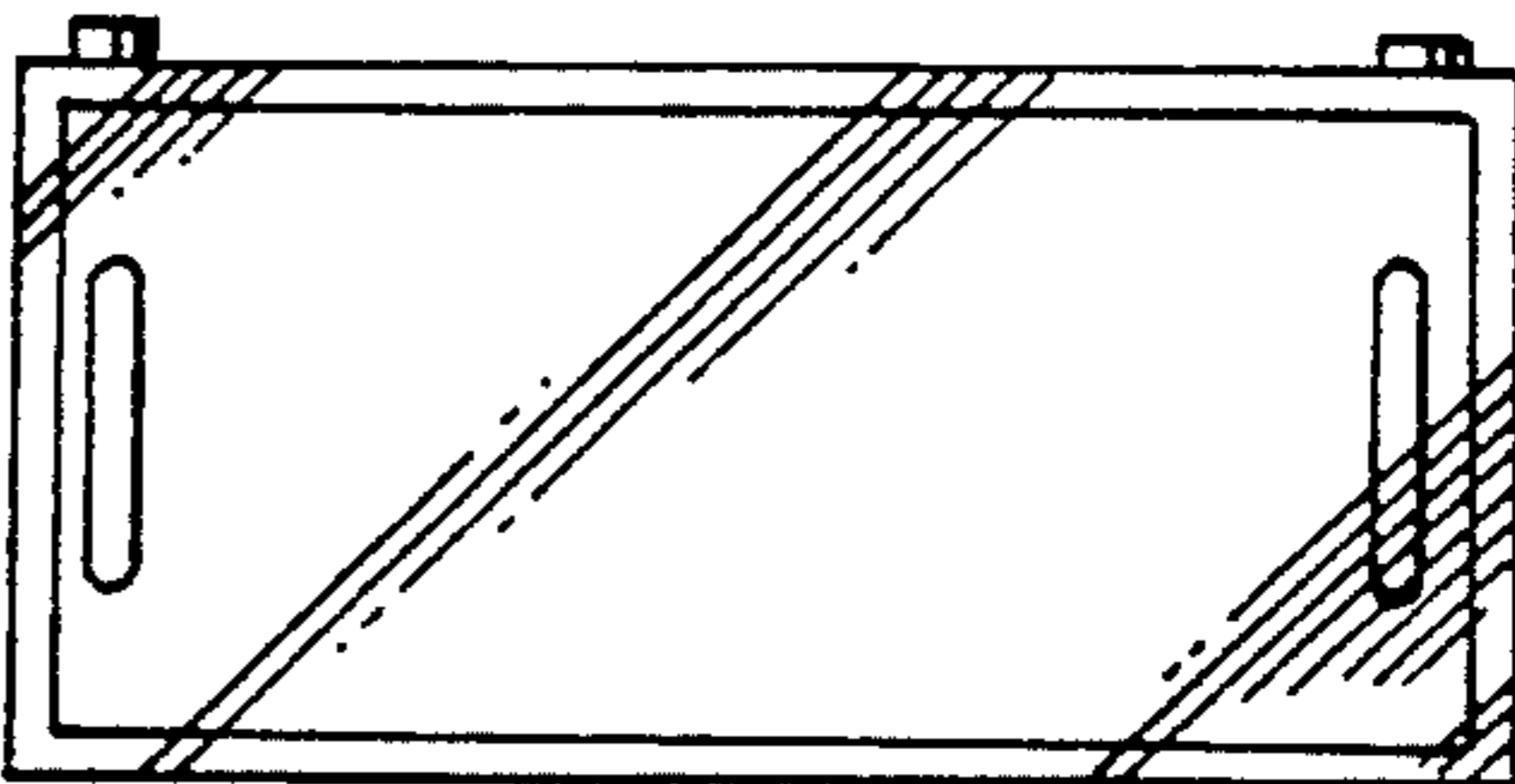


FIG. 7