



US00D336847S

United States Patent [19]
Flanders

[11] **Patent Number: Des. 336,847**

[45] **Date of Patent: ** Jun. 29, 1993**

[54] **SILICONE PROSTHESIS MENDING PACKAGE**

[76] **Inventor: Nancy L. Flanders, P.O. Box 45, Cold River Rd., North Clarendon, Vt. 05759**

[**] **Term: 14 Years**

[21] **Appl. No.: 815,366**

[22] **Filed: Dec. 31, 1991**

[52] **U.S. Cl. D9/337; D24/189**

[58] **Field of Search D9/305, 337, 444; D24/155, 189; D6/515; 602/57; 206/440, 441**

[56] **References Cited**

U.S. PATENT DOCUMENTS

D. 170,254	8/1953	Bookler	D9/305
2,905,174	9/1959	Smith	D24/189 X
2,997,166	8/1961	Pratt	206/440
3,402,716	9/1968	Baxter	128/335
4,545,372	10/1985	Lauritzen	602/57 X
4,570,627	2/1986	MacConkey et al.	128/132
4,666,040	5/1987	Murata	206/441
4,787,380	11/1988	Scott	128/156

4,829,995	5/1989	Metters	128/156
5,066,299	11/1991	Bellingham	206/440 X
5,133,477	7/1992	Etheredge, III et al.	206/441 X

FOREIGN PATENT DOCUMENTS

580420	8/1958	Italy	D24/189 X
--------	--------	-------	-------	-----------

Primary Examiner—Bernard Ansher
Assistant Examiner—Mitchell I. Siegel
Attorney, Agent, or Firm—Richard C. Litman

[57] **CLAIM**

The ornamental design for a silicone prosthesis mending package, as shown and described.

DESCRIPTION

FIG. 1 is a top, front and end perspective view of a silicone prosthesis mending package showing my new design;
FIG. 2 is a left end elevational view thereof;
FIG. 3 is a right end elevational view thereof;
FIG. 4 is a front elevational view thereof, the rear elevational view being a mirror image;
FIG. 5 is a top plan view thereof; and,
FIG. 6 is a bottom plan view thereof.

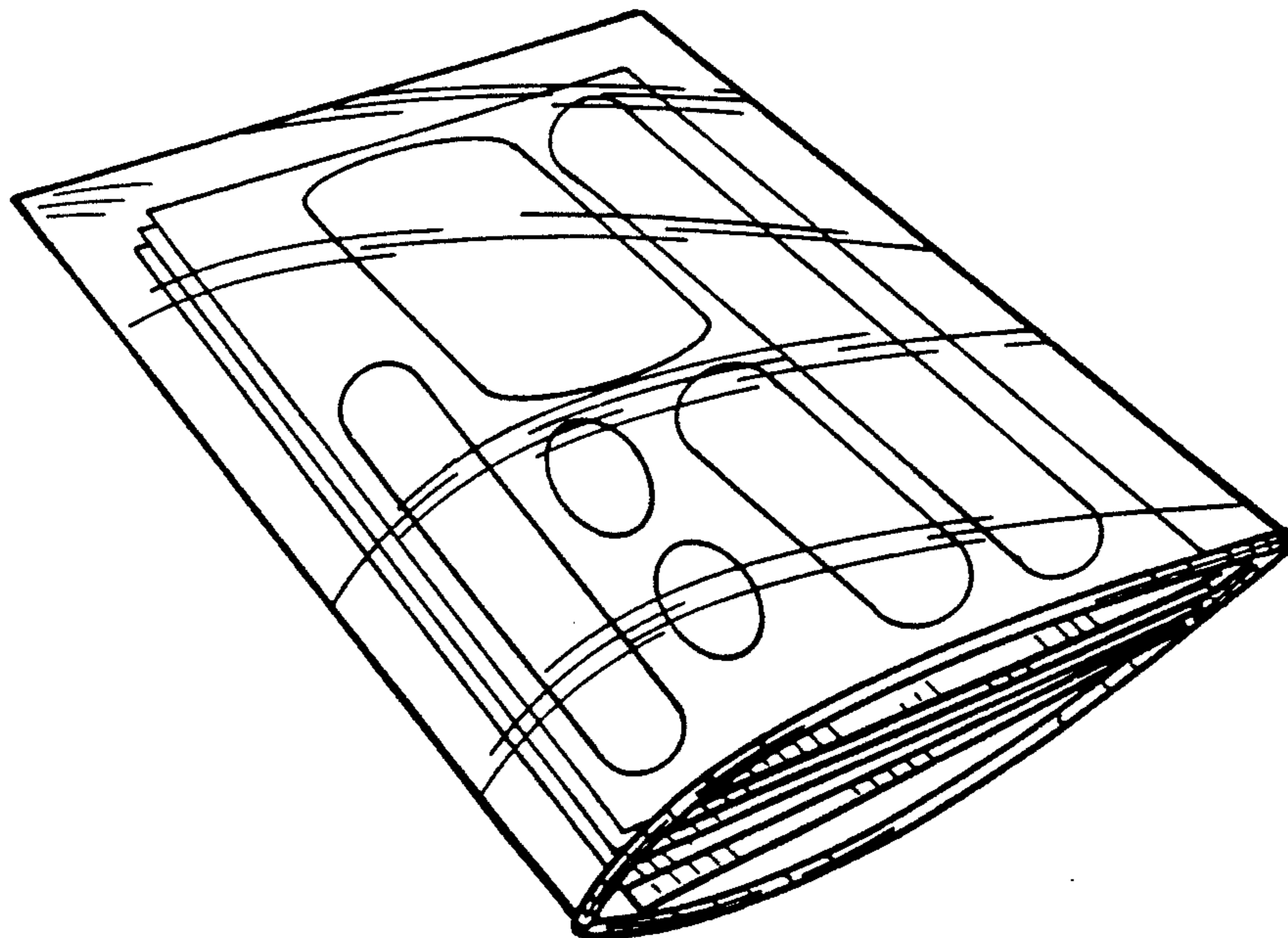




FIG. 4

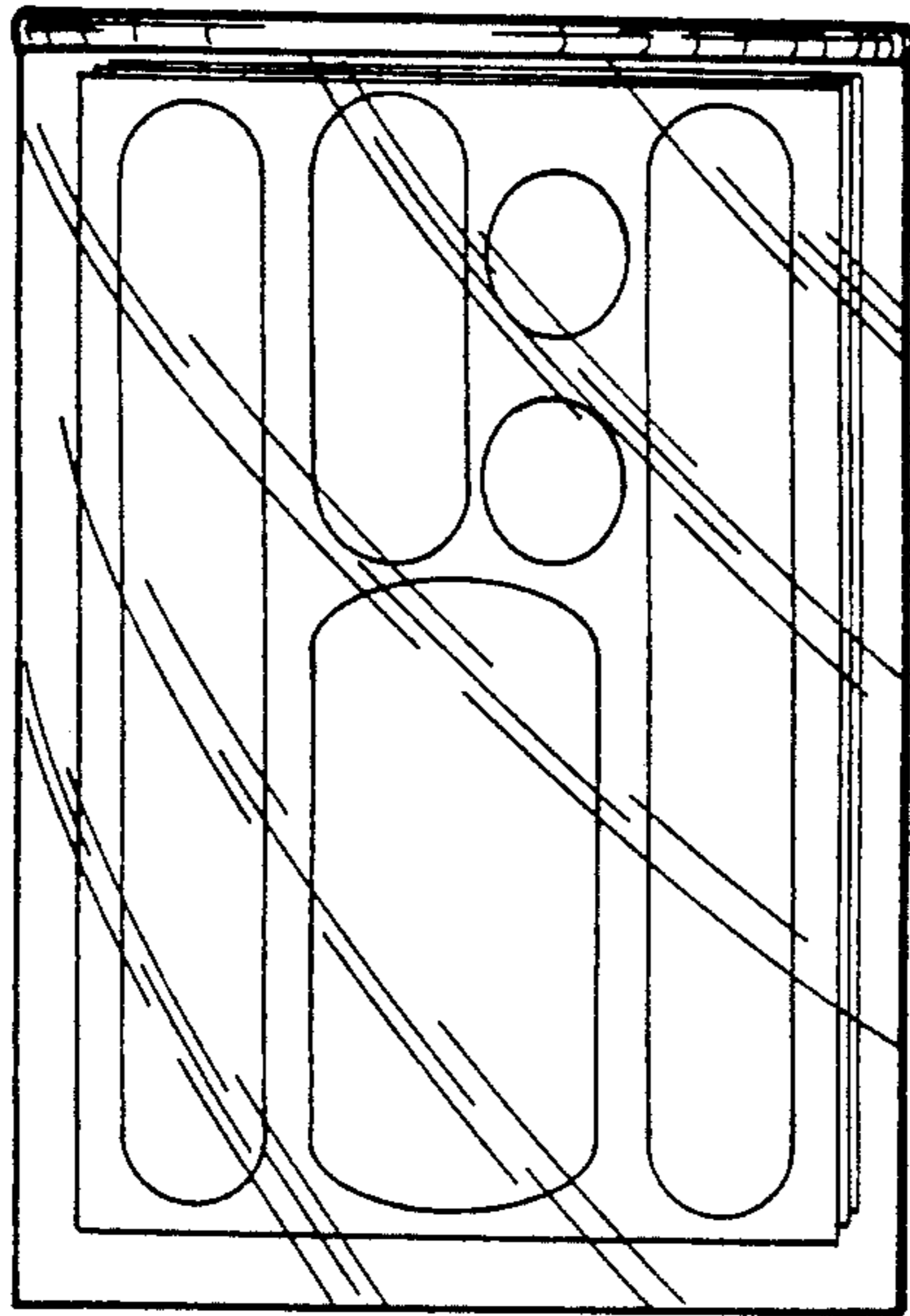


FIG. 5

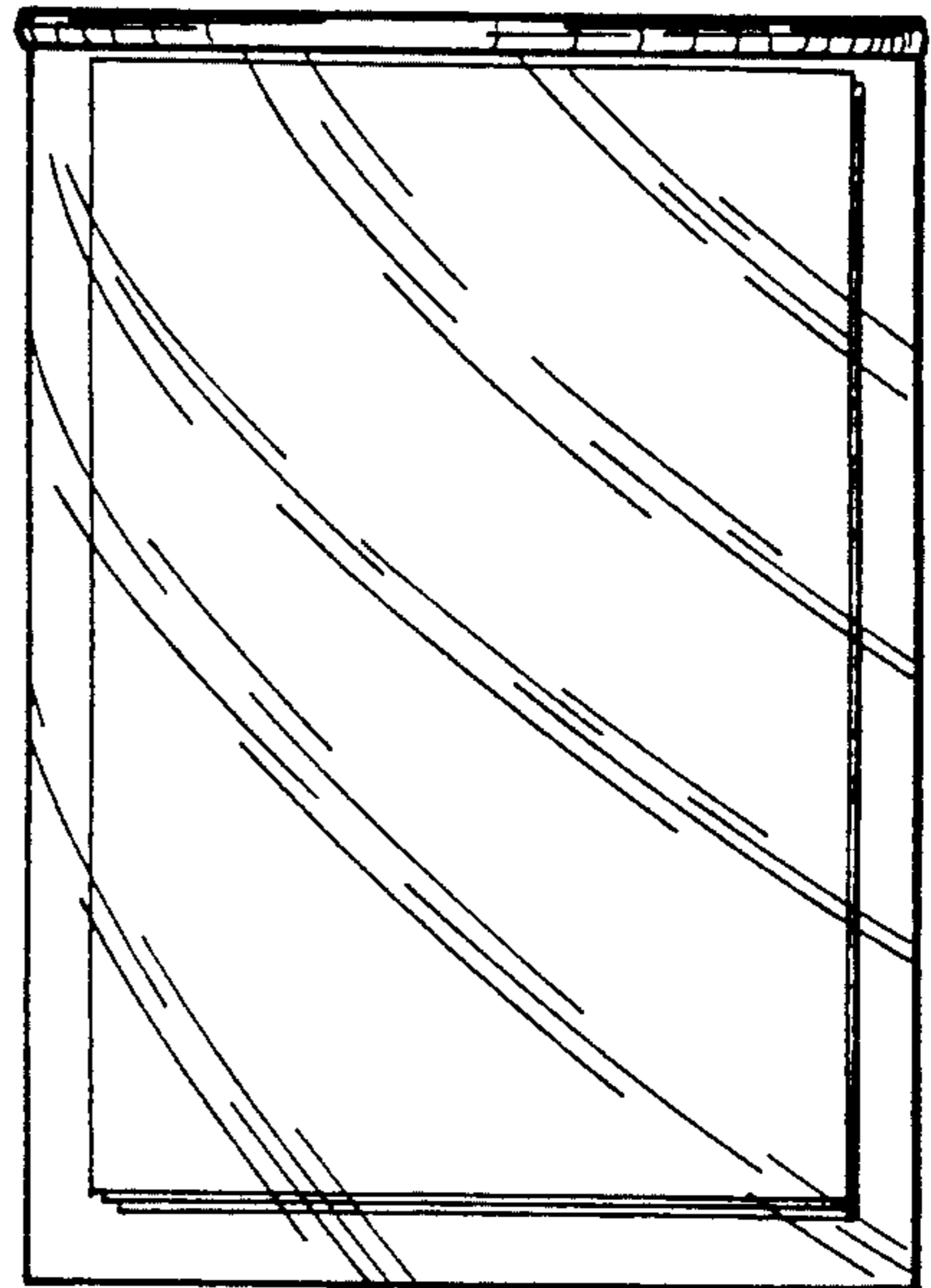


FIG. 6

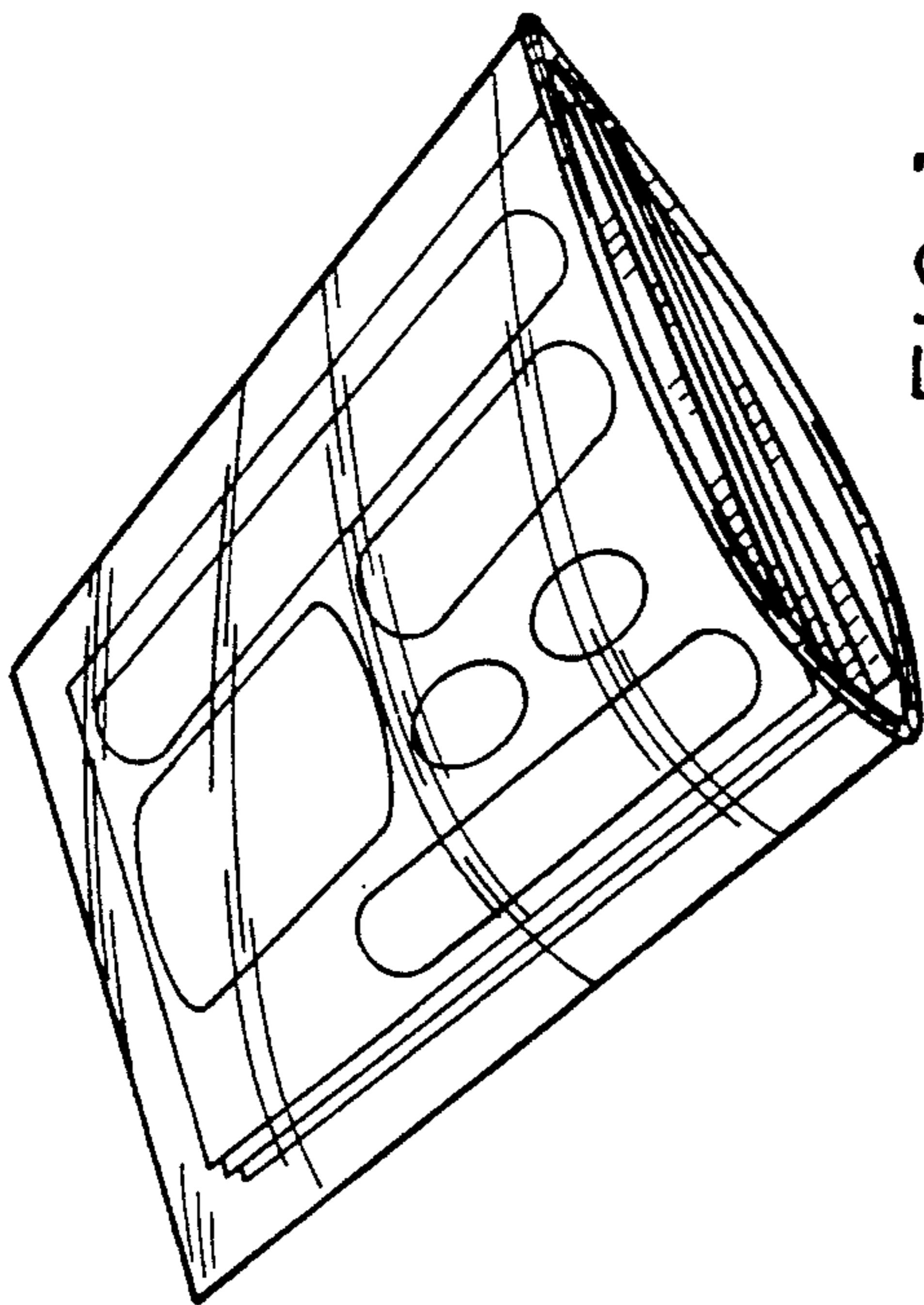


FIG. 1



FIG. 2

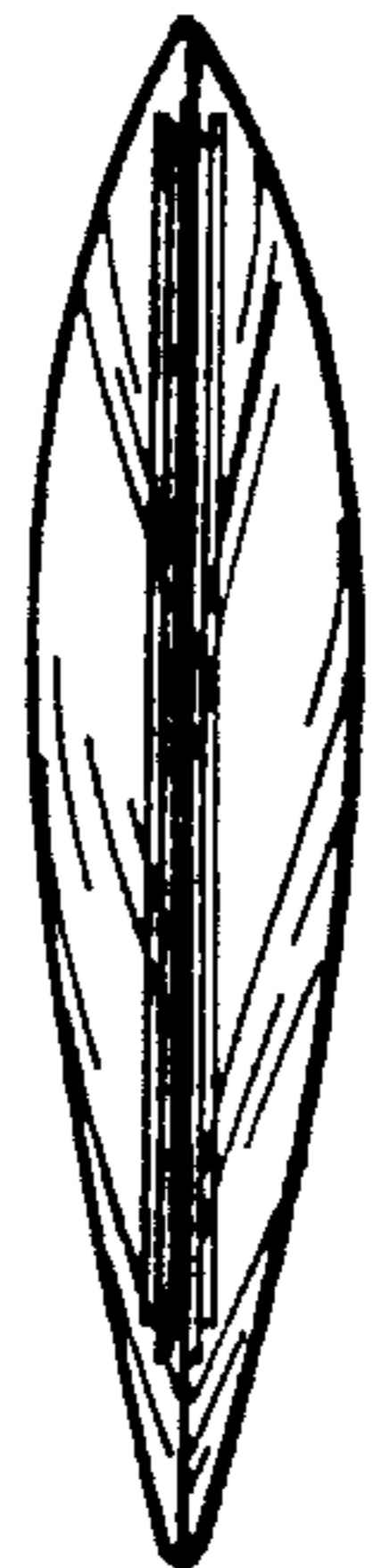


FIG. 3