



US00D336841S

# United States Patent [19]

[11] Patent Number: **Des. 336,841**

Wilson et al.

[45] Date of Patent: **\*\* Jun. 29, 1993**

[54] HOOD HINGE

### FOREIGN PATENT DOCUMENTS

[75] Inventors: **Donald J. Wilson, Granger; Max Young, Albion, both of Ind.**

2846307	4/1979	Fed. Rep. of Germany	.....	16/287
0692249	6/1953	United Kingdom	.....	16/287
2003971	3/1979	United Kingdom	.....	16/287

[73] Assignee: **Holiday Rambler Corporation, Wakarusa, Ind.**

*Primary Examiner*—Bernard Ansher  
*Assistant Examiner*—Sandra Morris  
*Attorney, Agent, or Firm*—Leydig, Voit & Mayer

[\*\*] Term: **14 Years**

### [57] CLAIM

[21] Appl. No.: **343,135**

The ornamental design for hood hinge, as shown.

[22] Filed: **Apr. 24, 1989**

### DESCRIPTION

[52] U.S. Cl. .... **D8/323**

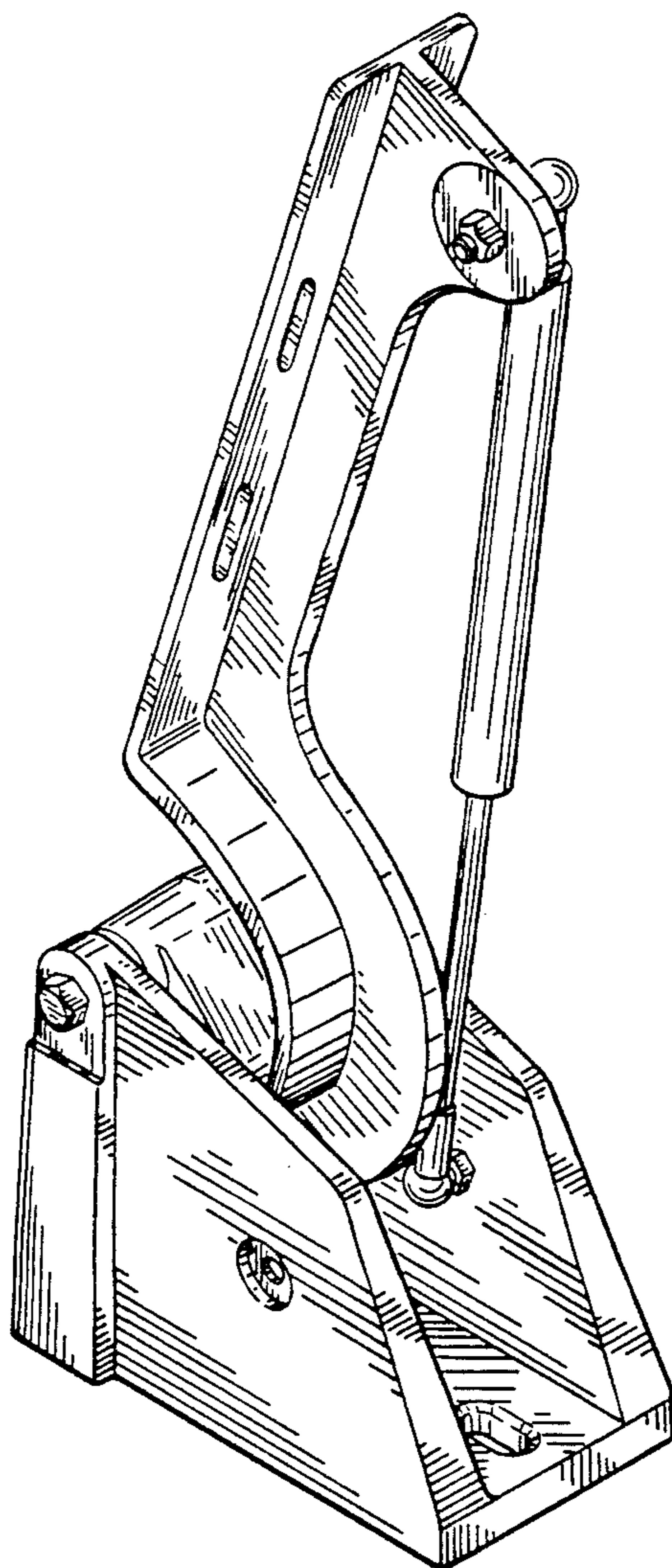
[58] Field of Search ..... D8/323; D12/173;  
D32/54; 16/121, 221, 282, 287, 388; 180/69.2

FIG. 1 is a left side elevational view of a hood hinge showing our new design;  
FIG. 2 is a right side elevational view thereof;  
FIG. 3 is a top plan view thereof;  
FIG. 4 is a bottom plan view thereof;  
FIG. 5 is a front elevational view thereof;  
FIG. 6 is a rear elevational view thereof; and,  
FIG. 7 is a perspective view thereof.

### [56] References Cited

#### U.S. PATENT DOCUMENTS

3,677,259	7/1972	Doner	.....	16/287
4,012,807	3/1977	Kern	.....	180/69.2



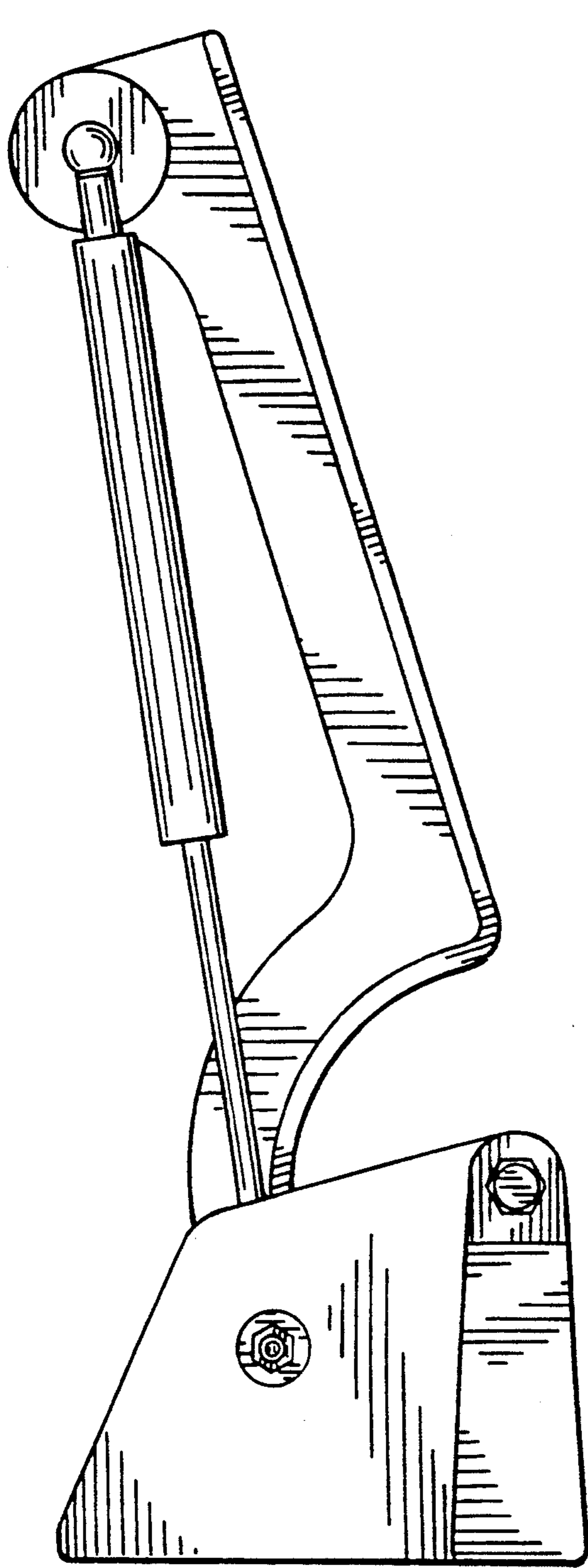


FIG. 1

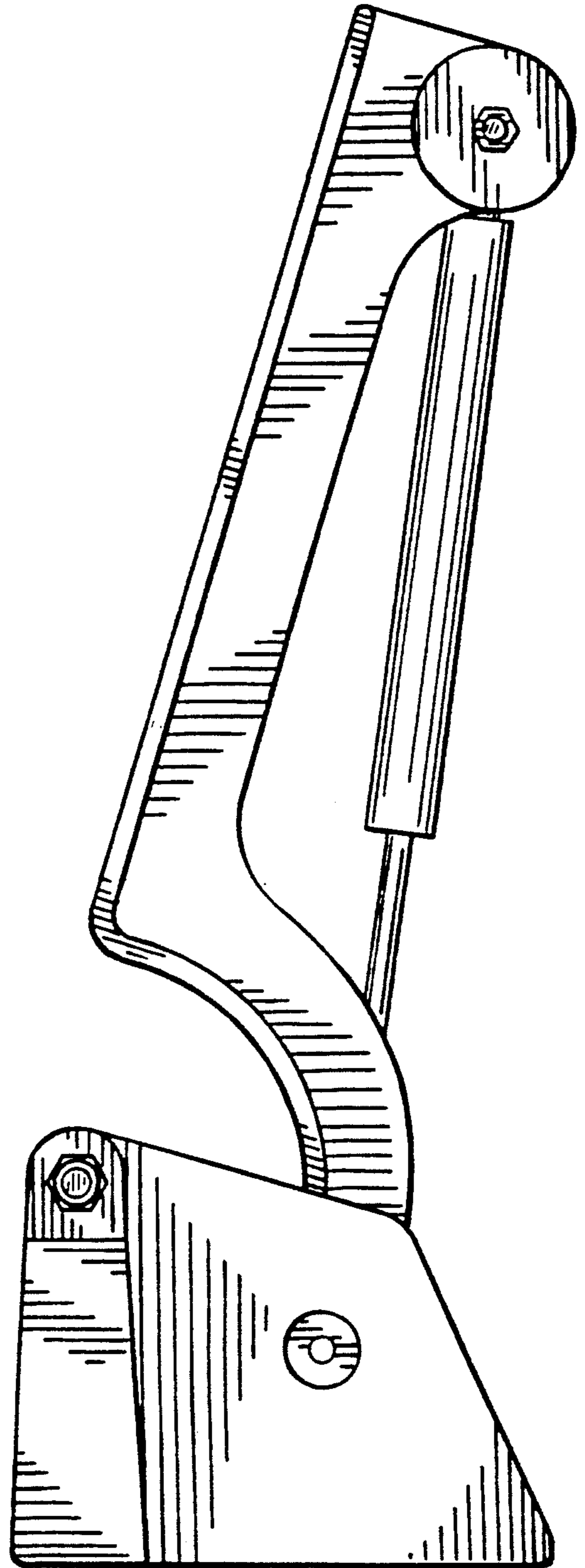


FIG. 2

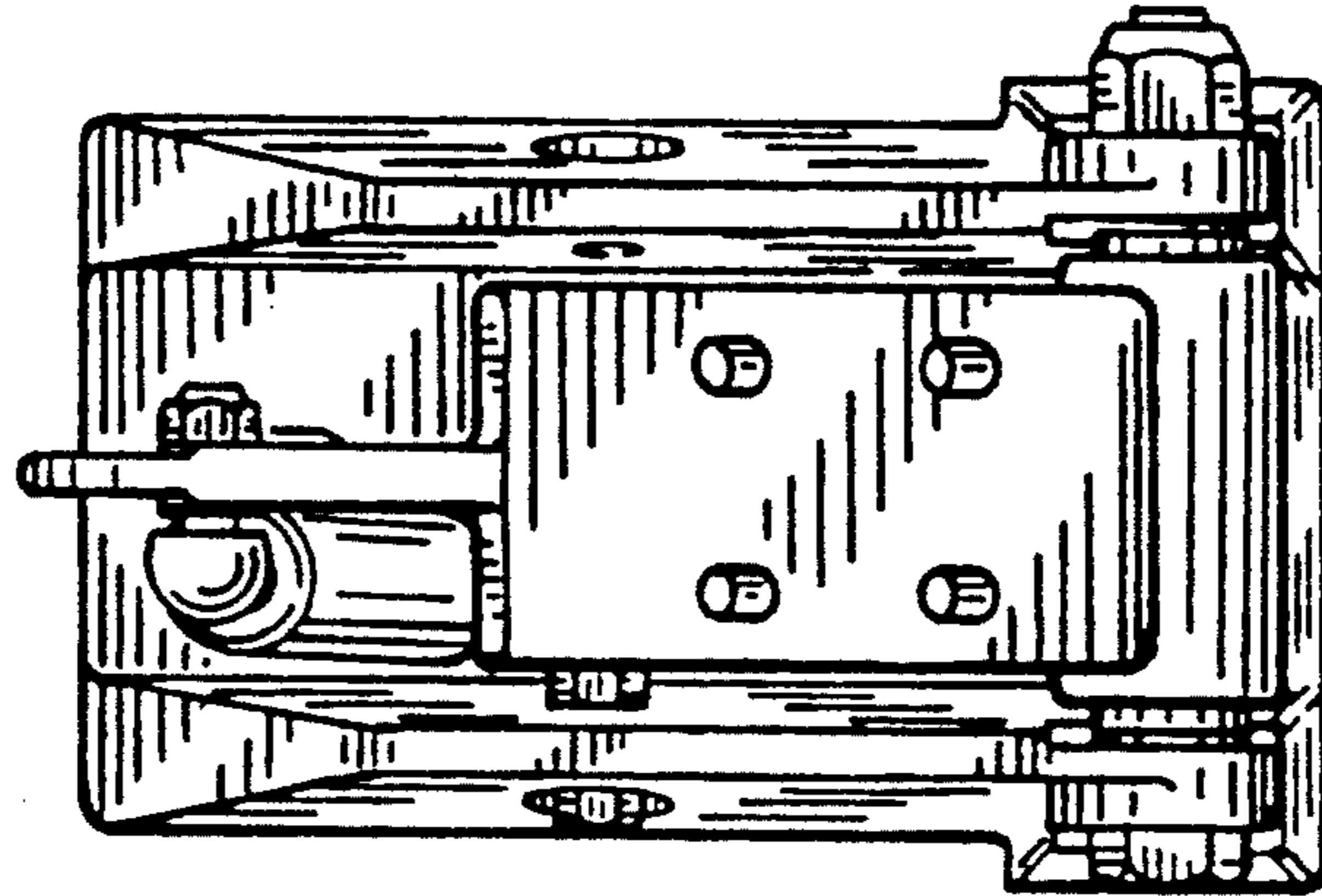


FIG. 3

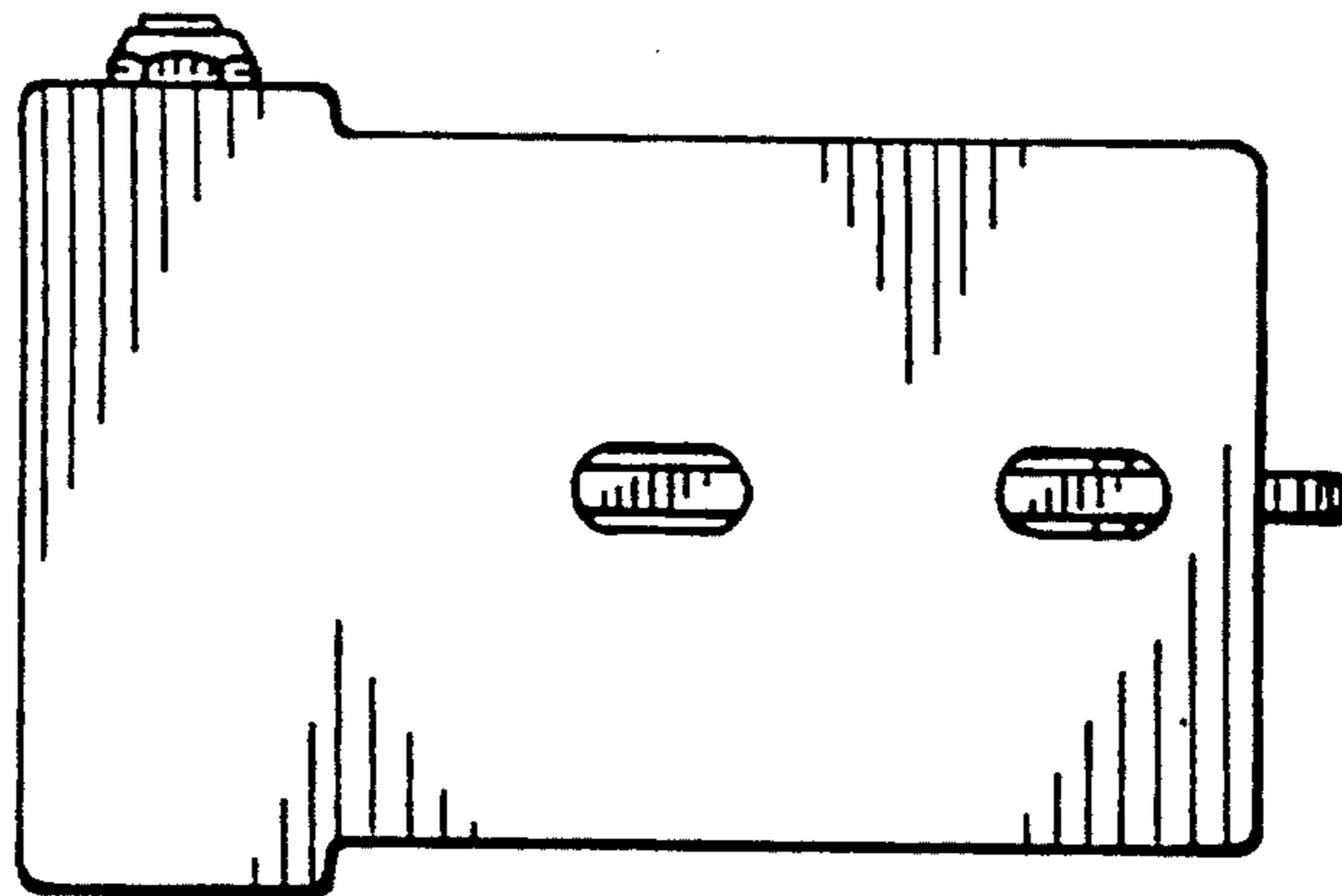


FIG. 4

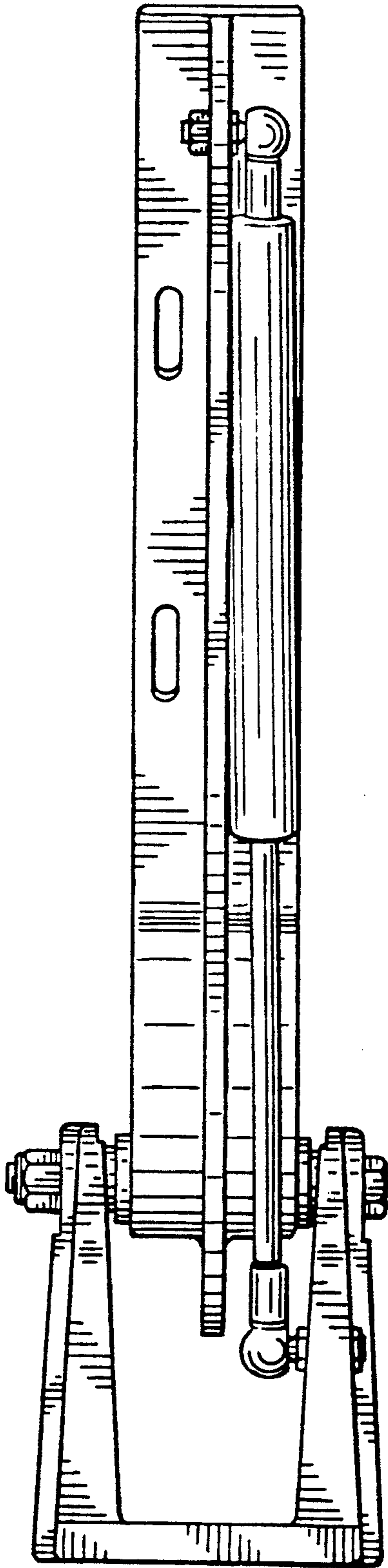


FIG. 5

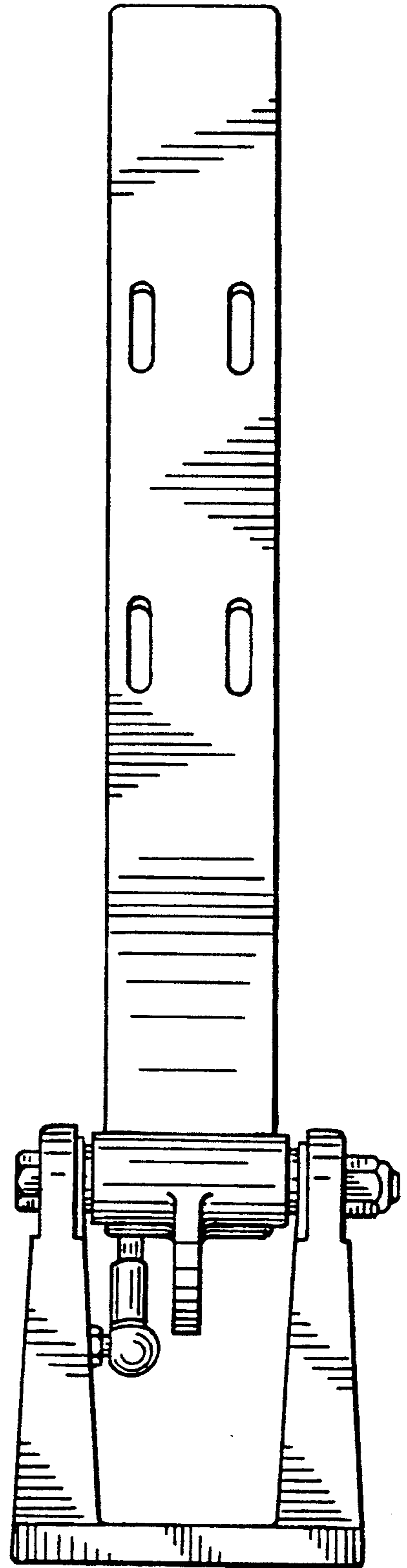


FIG. 6

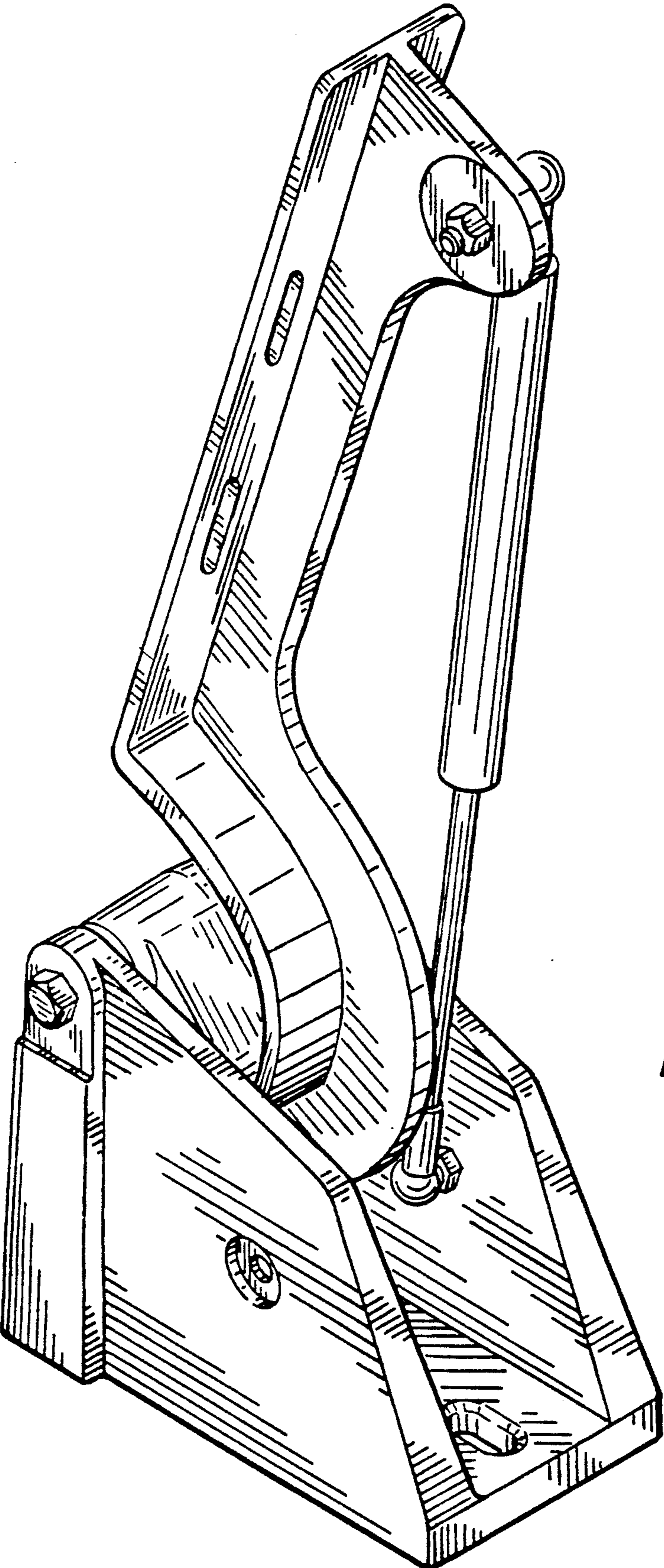


FIG. 7