



US00D336838S

United States Patent [19]

[11] Patent Number: Des. 336,838

Ishii

[45] Date of Patent: ** Jun. 29, 1993

[54] ELECTRIC STAPLER

4,726,505 2/1988 Okazaki 227/127
5,076,483 12/1991 Olesen 227/155

[75] Inventor: Mitsuo Ishii, Ageo, Japan

[73] Assignee: Elm Industry Co., Ltd., Tokyo, Japan

[**] Term: 14 Years

[21] Appl. No.: 661,631

[22] Filed: Feb. 28, 1991

[30] Foreign Application Priority Data

Aug. 31, 1990 [JP] Japan 2-29507

[52] U.S. Cl. D8/50

[58] Field of Search D8/49, 50; 227/127,
227/128, 131, 134

[56] References Cited

U.S. PATENT DOCUMENTS

D. 219,725	1/1971	Sano	D8/49
D. 304,416	11/1989	Tanigami	D8/49
D. 305,092	12/1989	Olesen	D8/49
D. 319,377	8/1991	Sadashima	D8/49
2,975,424	3/1961	Oussani	227/131

OTHER PUBLICATIONS

U.S. Gov't Office & Furnishings Supply Catalog '81 p. 300 #A2 202 (Design Library).

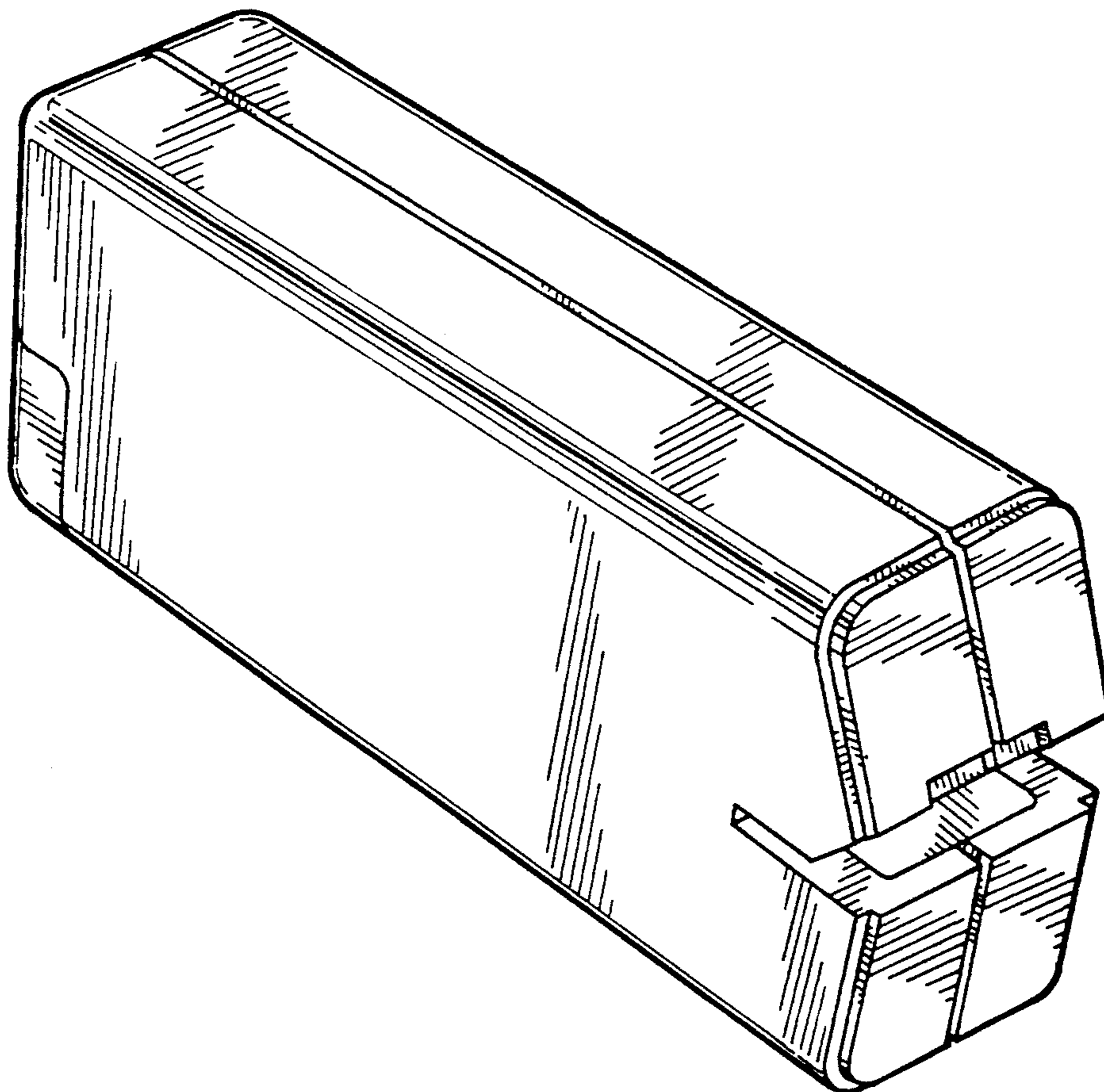
Primary Examiner—Bernard Ansher
Assistant Examiner—R. Barkal
Attorney, Agent, or Firm—Oblon, Spivak, McClelland, Maier & Neustadt

[57] CLAIM

The ornamental design for electric stapler, as shown and described.

DESCRIPTION

FIG. 1 is a perspective view of electric stapler showing my new design;
FIG. 2 is a front elevational view thereof;
FIG. 3 is a rear elevational view thereof;
FIG. 4 is a top plan view thereof;
FIG. 5 is a bottom plan view thereof; and,
FIG. 6 is a right side elevational view thereof.



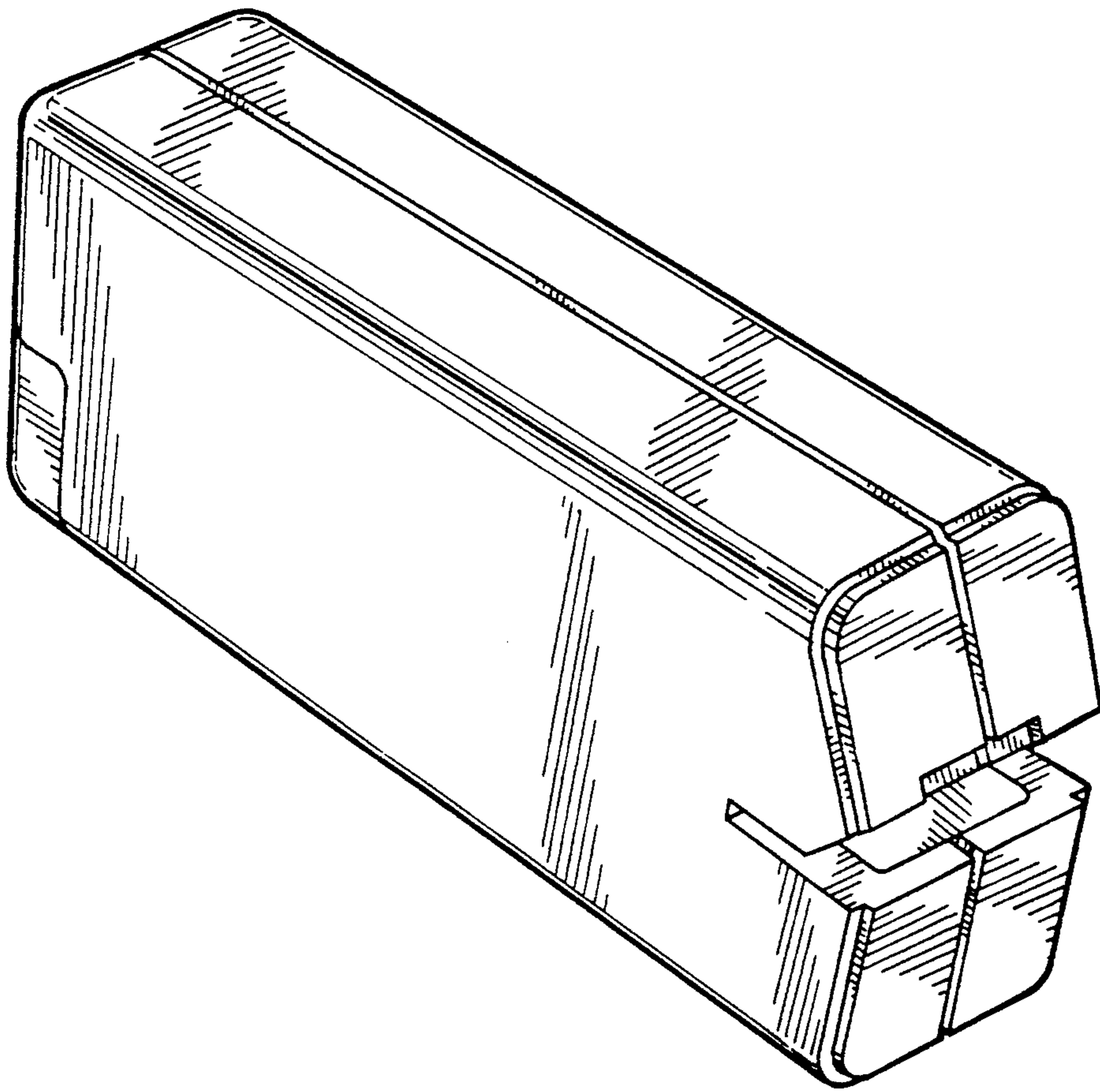


FIG. 1

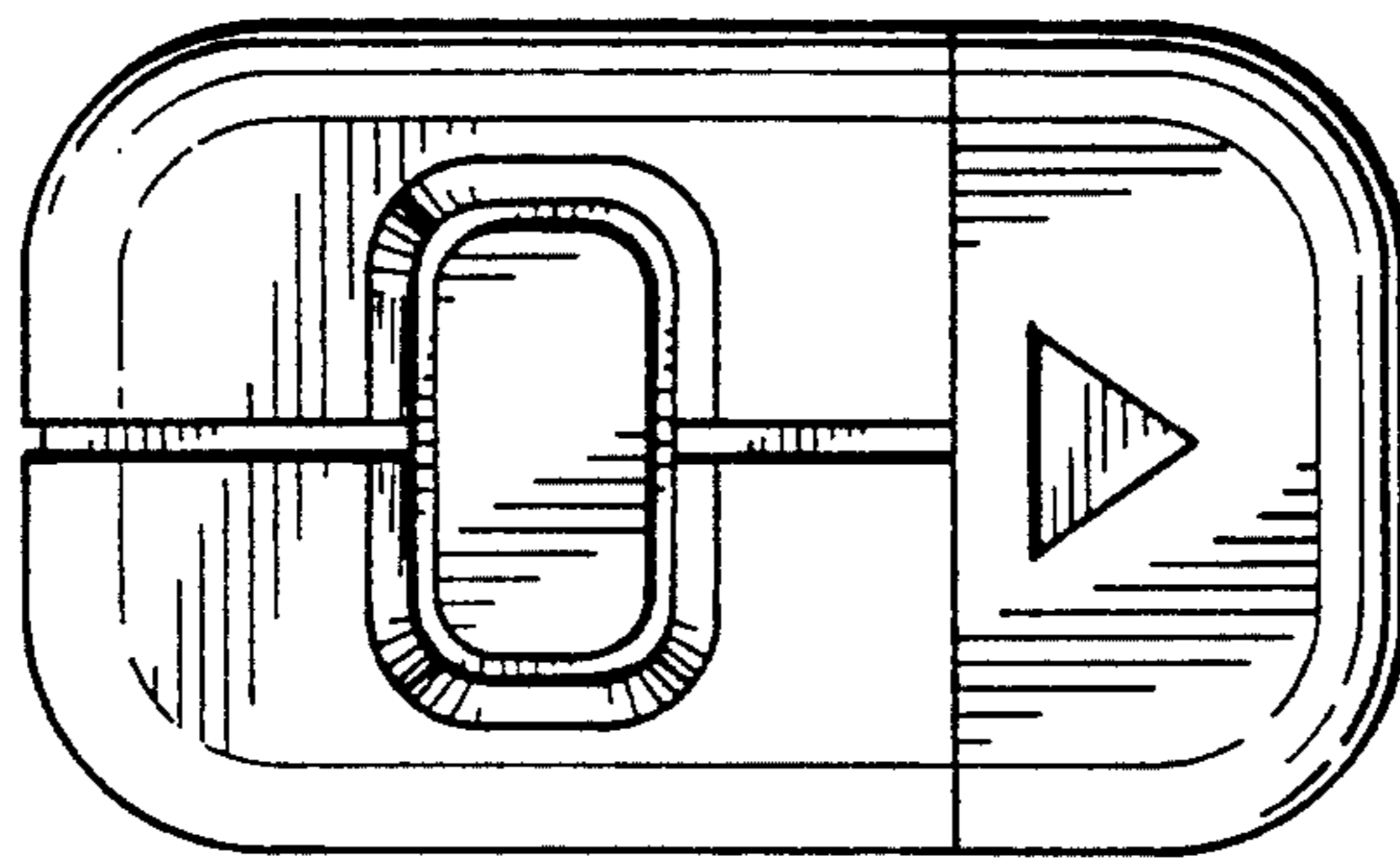


FIG. 3

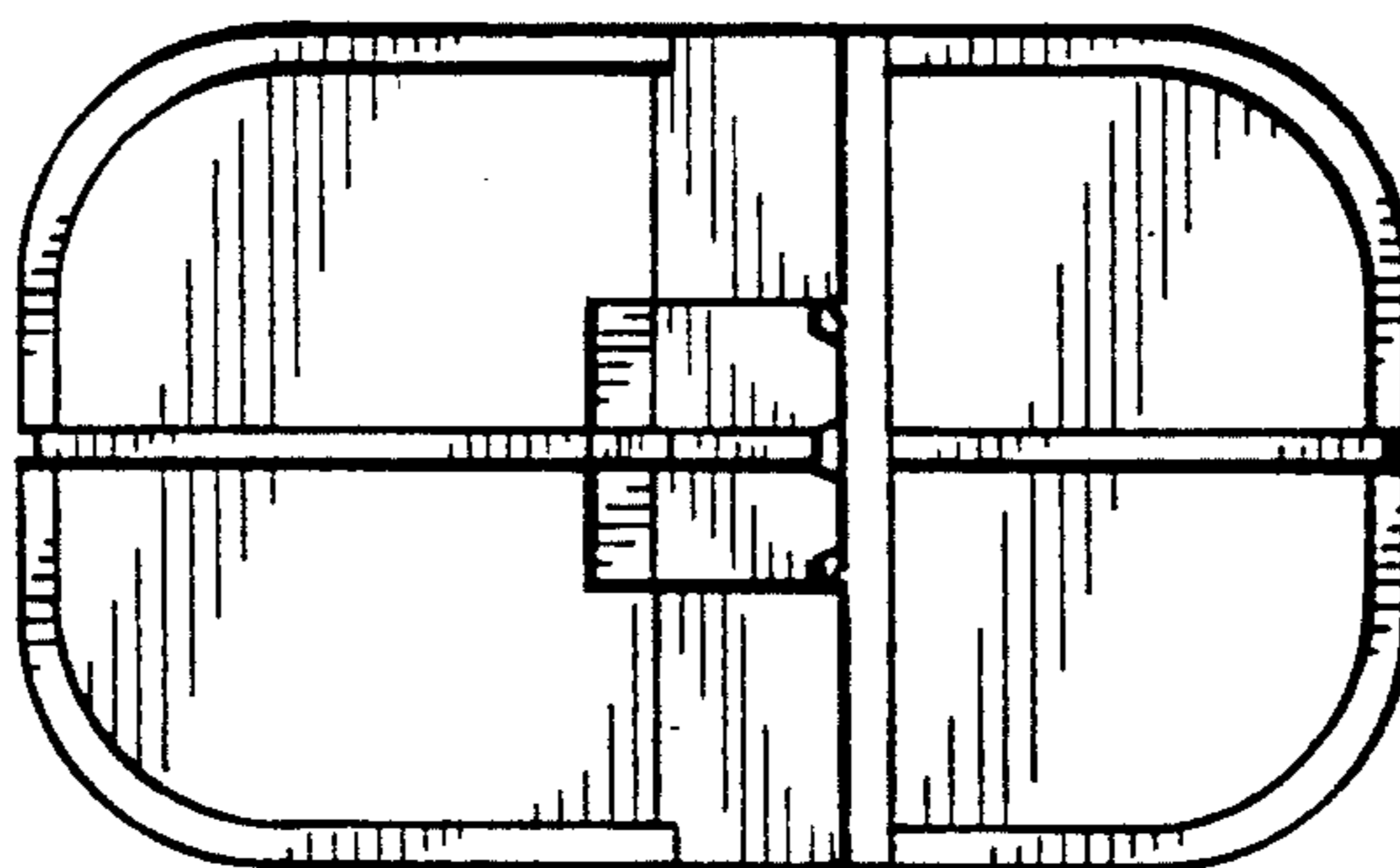


FIG. 2

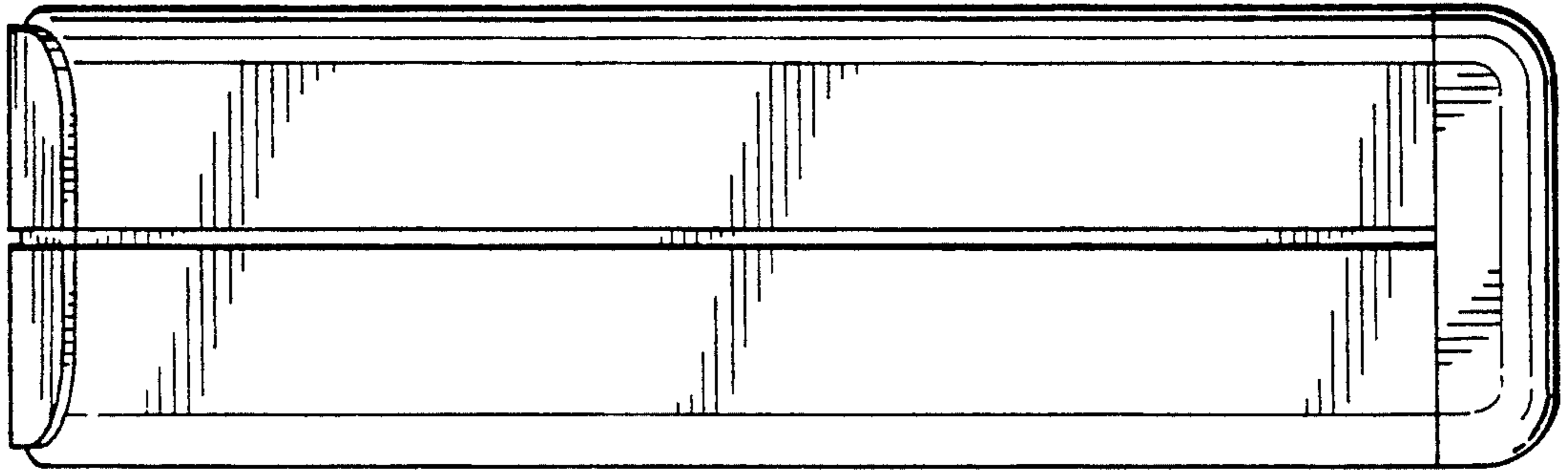


FIG. 5

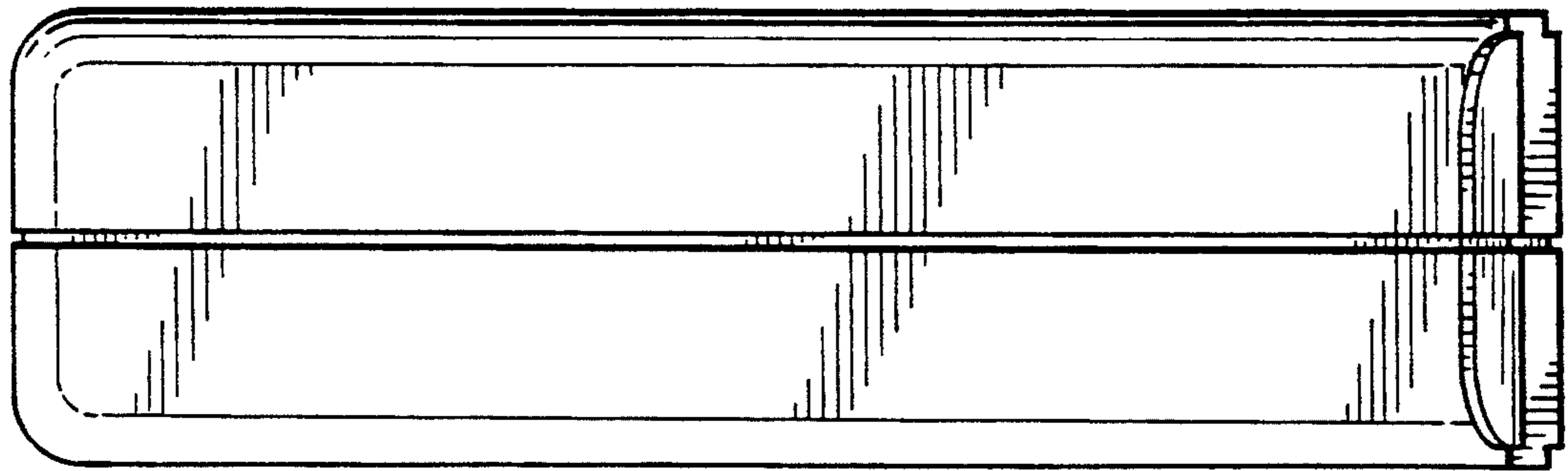


FIG. 4

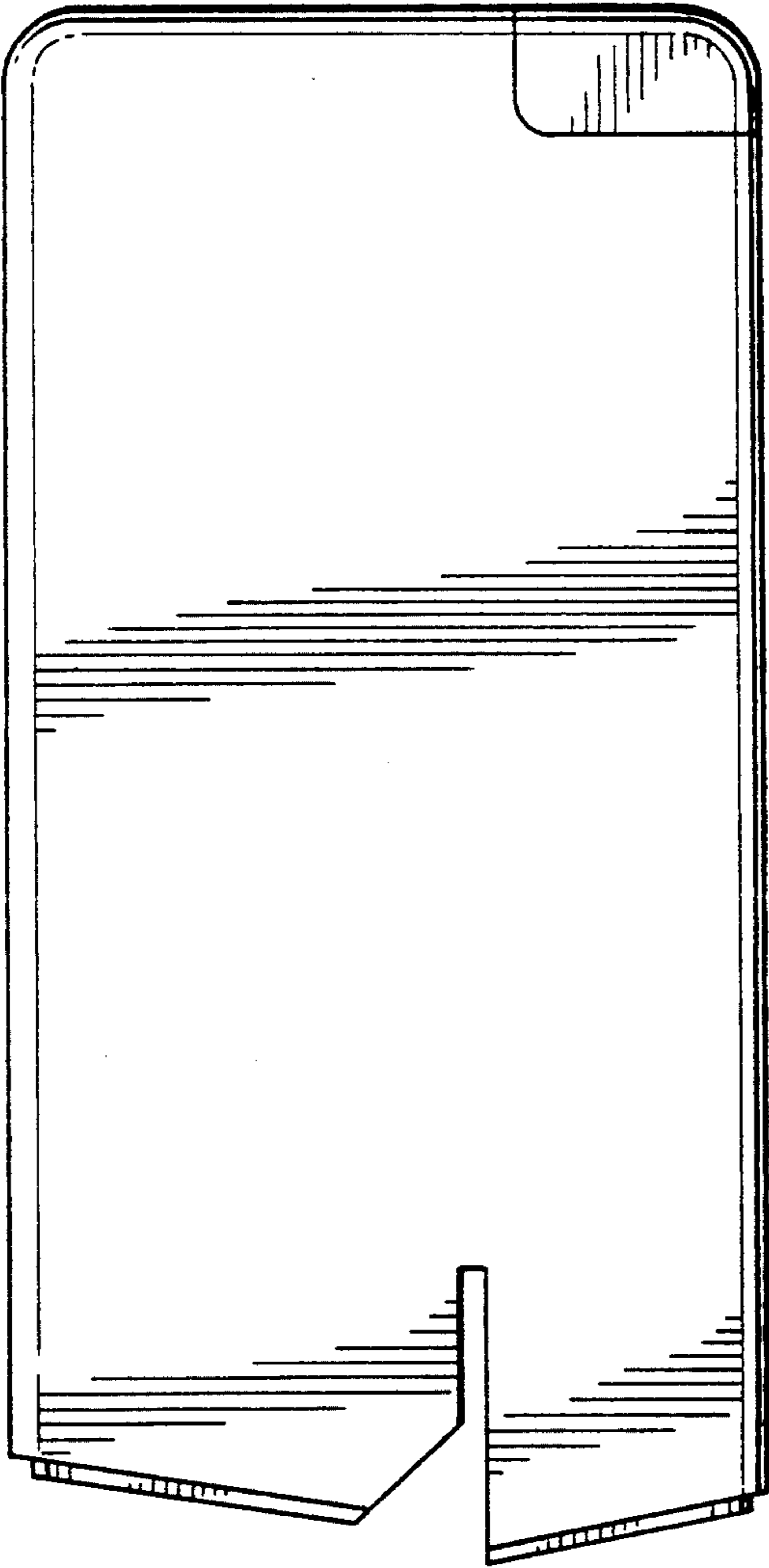


FIG. 6