



US00D336827S

United States Patent [19]
Knight

[11] **Patent Number: Des. 336,827**
[45] **Date of Patent: ** Jun. 29, 1993**

- [54] **BOTTLE HANDLE**
- [75] **Inventor: Elizabeth B. Knight, Westwood, Mass.**
- [73] **Assignee: Kiddie Products, Inc., Avon, Mass.**
- [**] **Term: 14 Years**
- [21] **Appl. No.: 769,020**
- [22] **Filed: Sep. 30, 1991**
- [52] **U.S. Cl. D7/622; D24/199**
- [58] **Field of Search D7/616-623; 211/71, 74; 220/737, 741; 215/100 A; 229/1.5 H; 248/102-107; 294/27.1, 31.2; D24/199**

4,941,579 7/1990 Lee 248/102 X

OTHER PUBLICATIONS

1989 catalog page, Playskool/PUR, Easy Grip Bottle Grippers #3200.

Primary Examiner—Terry A. Pfeffer
Attorney, Agent, or Firm—Fish & Richardson

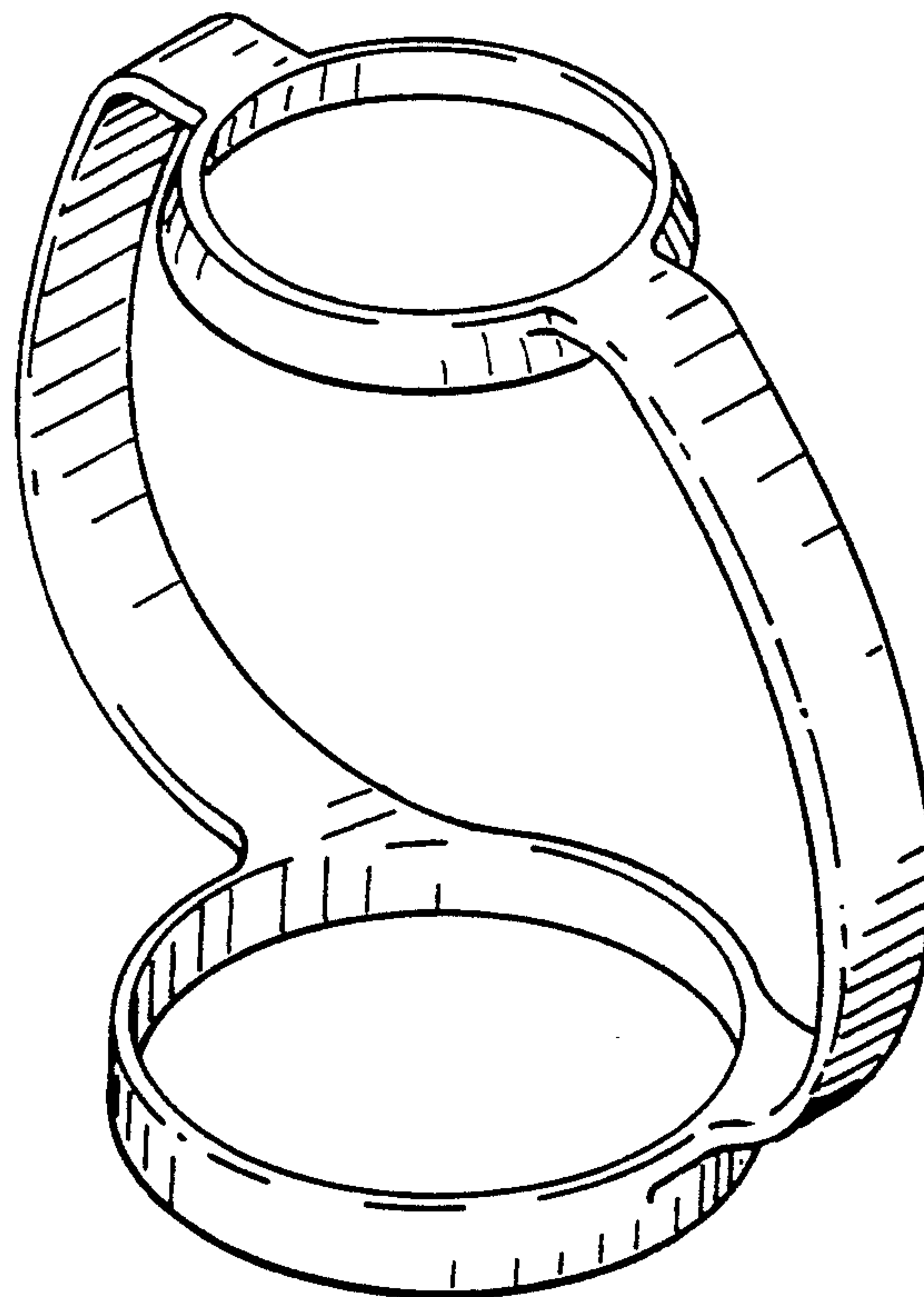
[57] **CLAIM**

The ornamental design for a bottle handle, as shown and described.

DESCRIPTION

FIG. 1 is a perspective view of the bottle holder showing my new design;
FIG. 2 is a rear elevational view thereof;
FIG. 3 is a front elevational view thereof;
FIG. 4 is a left side elevational view thereof;
FIG. 5 is a right side elevational view thereof;
FIG. 6 is a top plan view thereof; and,
FIG. 7 is a bottom plan view thereof.

- [56] **References Cited**
- U.S. PATENT DOCUMENTS**
- D. 38,233 9/1906 Lyon D7/622
- D. 298,970 12/1988 Dieks D7/623 X
- 3,990,596 11/1976 Hoftman 215/11



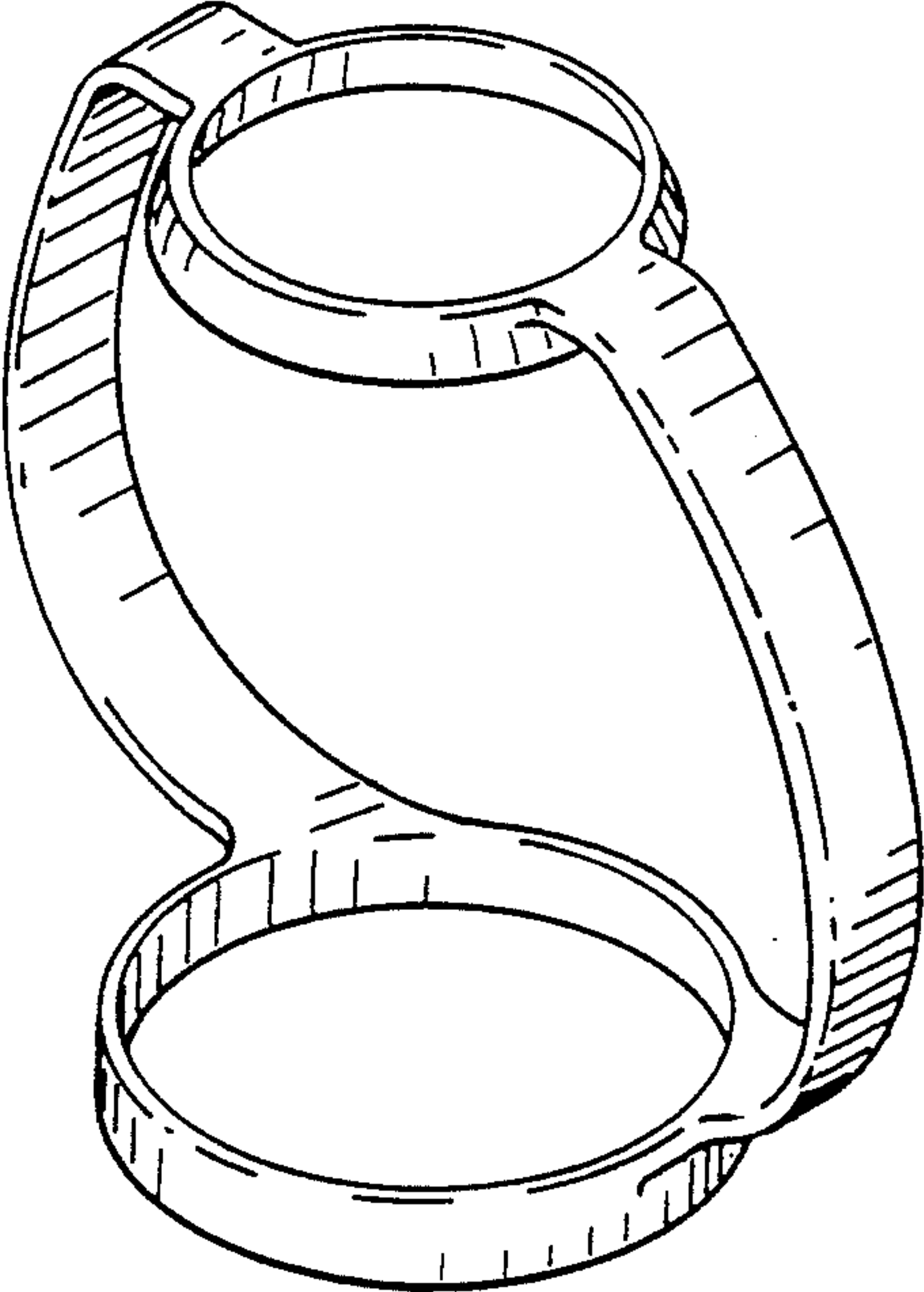


FIG. 1

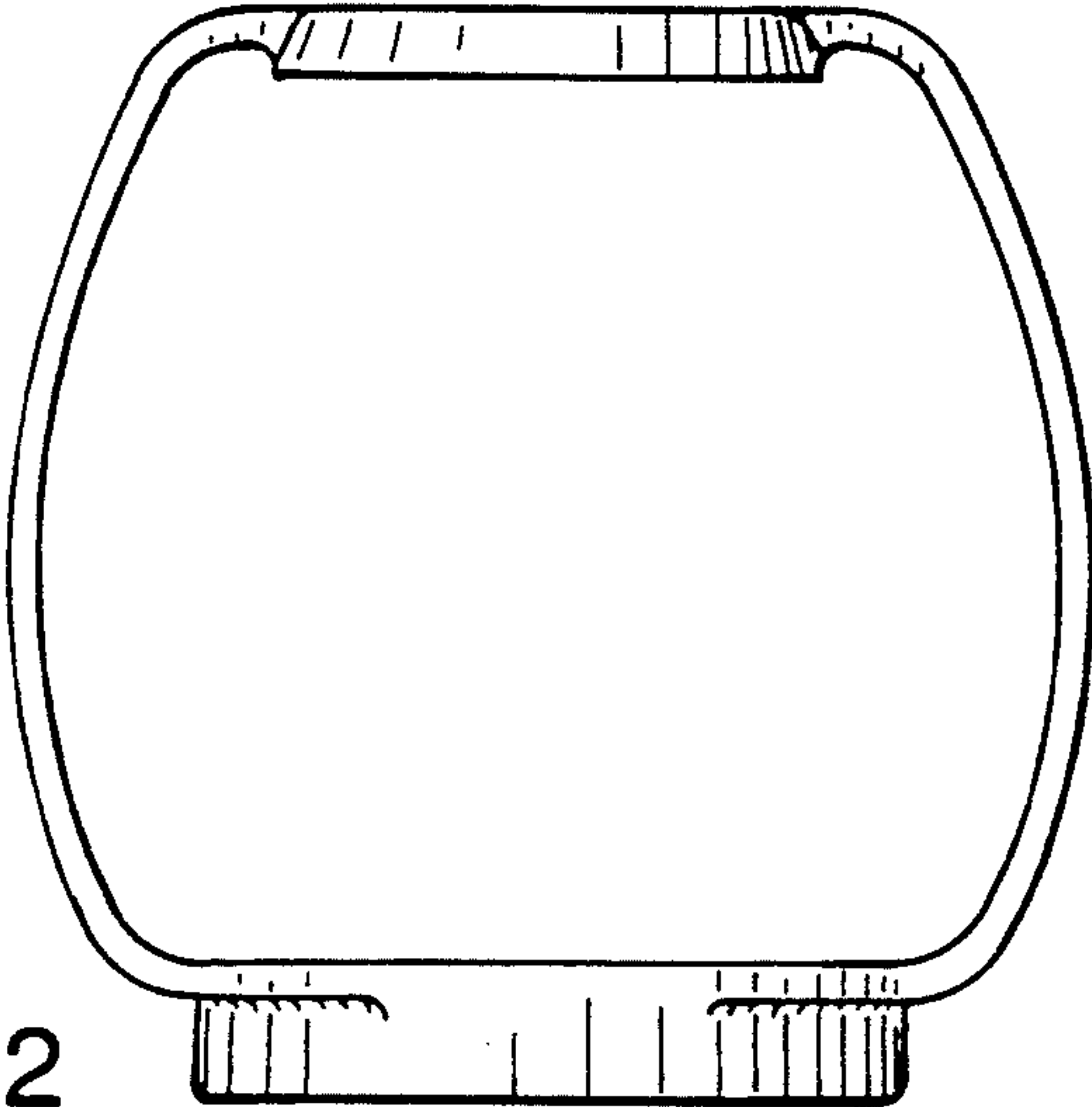


FIG. 2

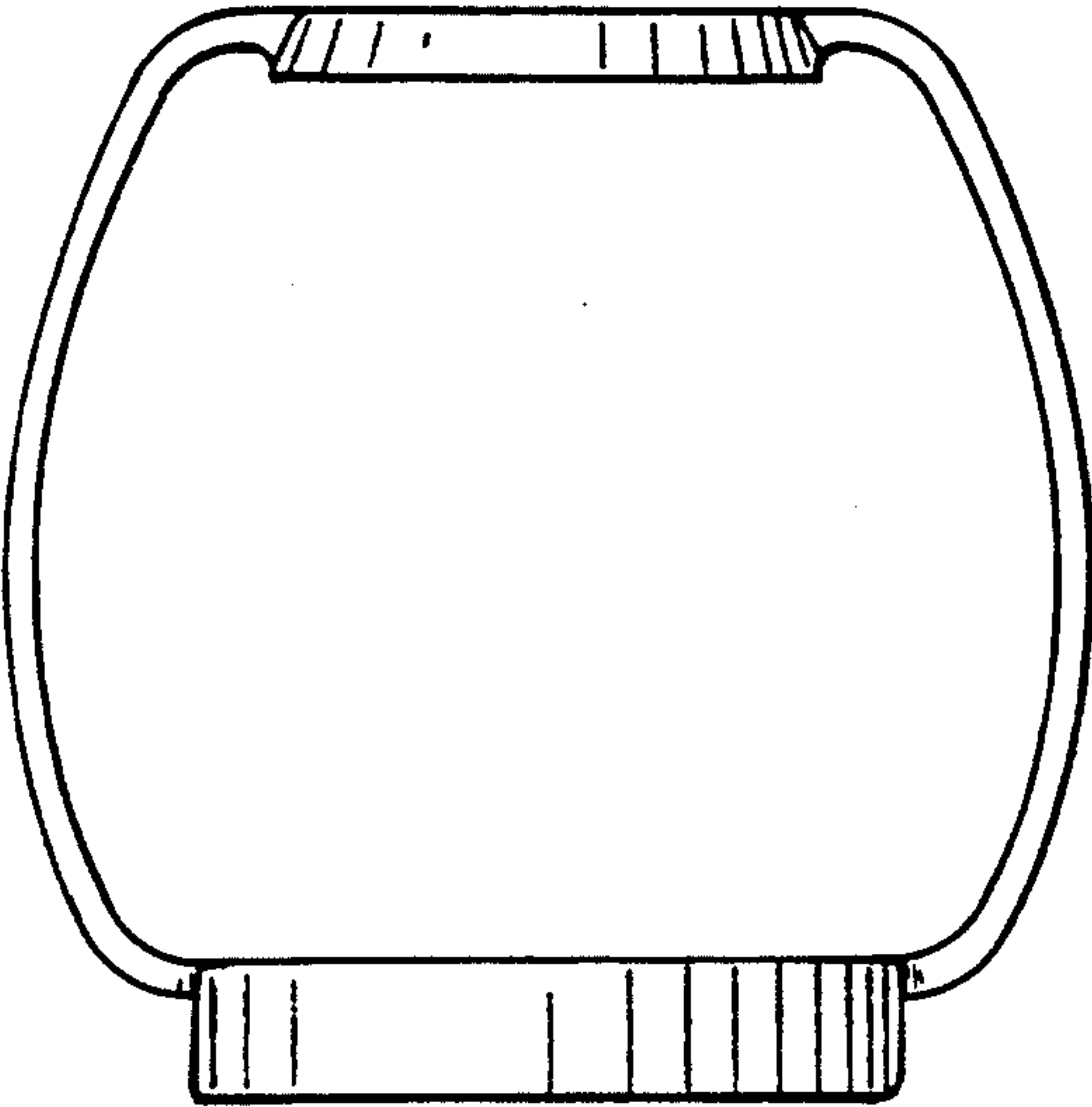


FIG. 3

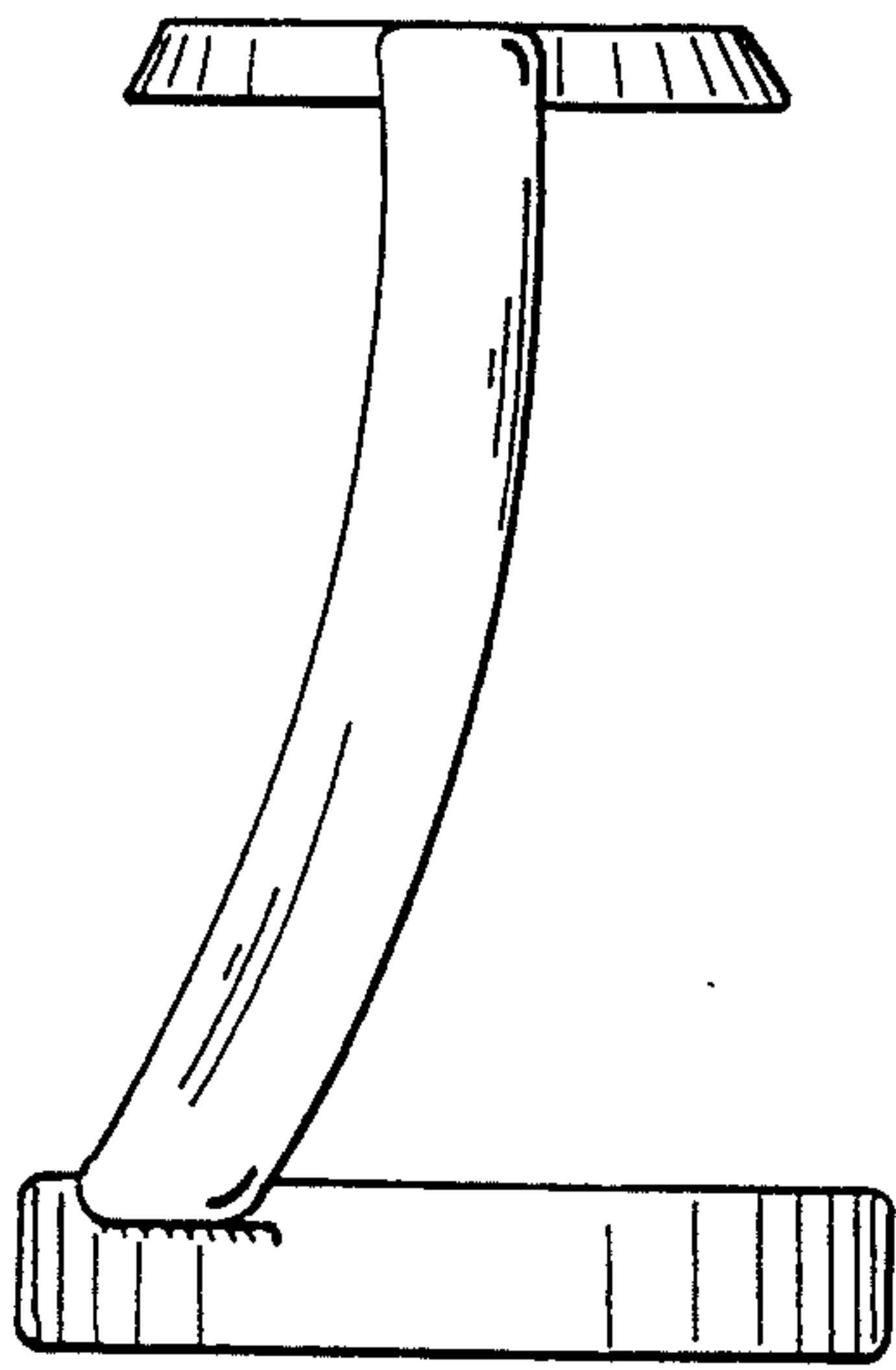


FIG. 4



FIG. 5

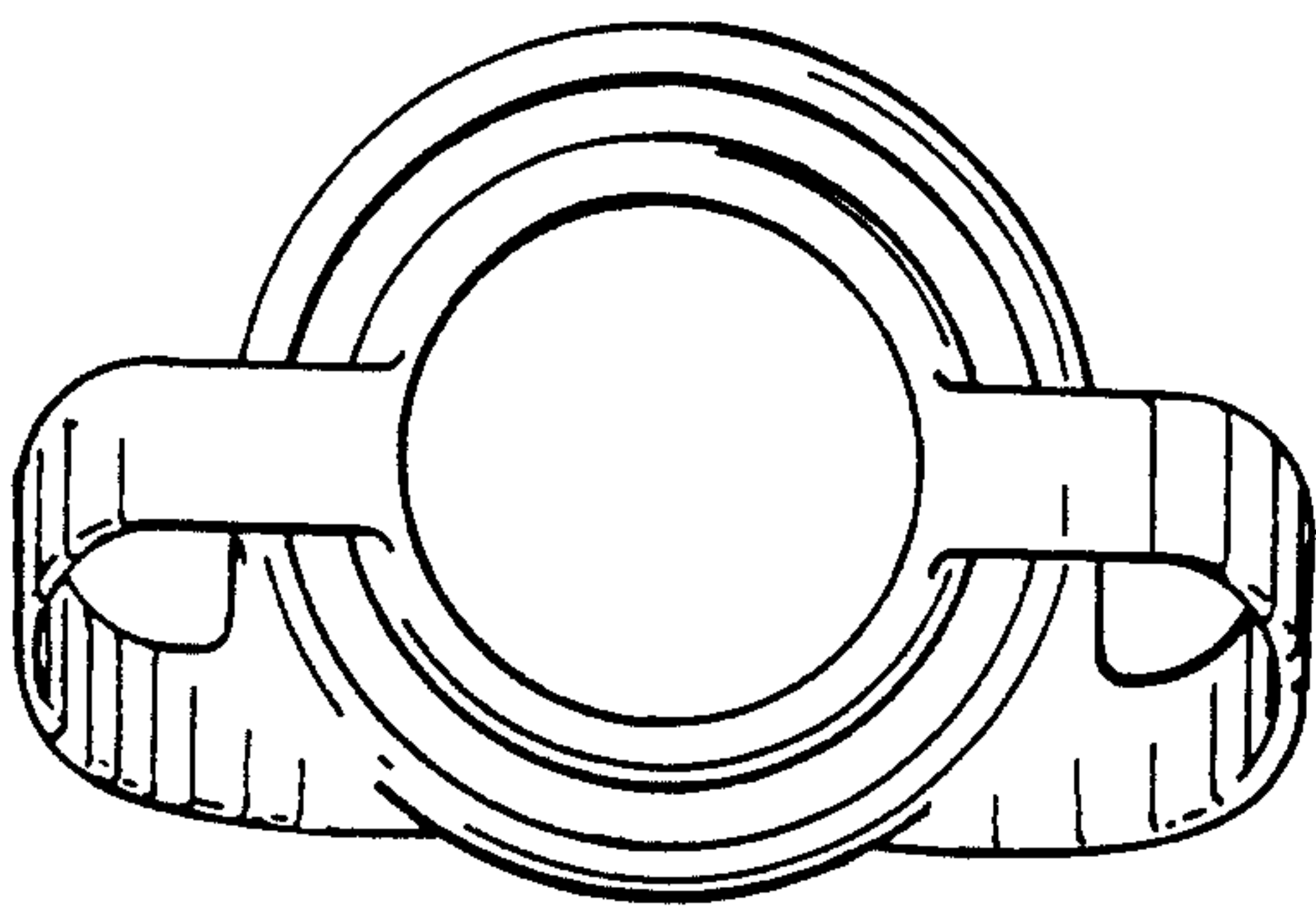


FIG. 6

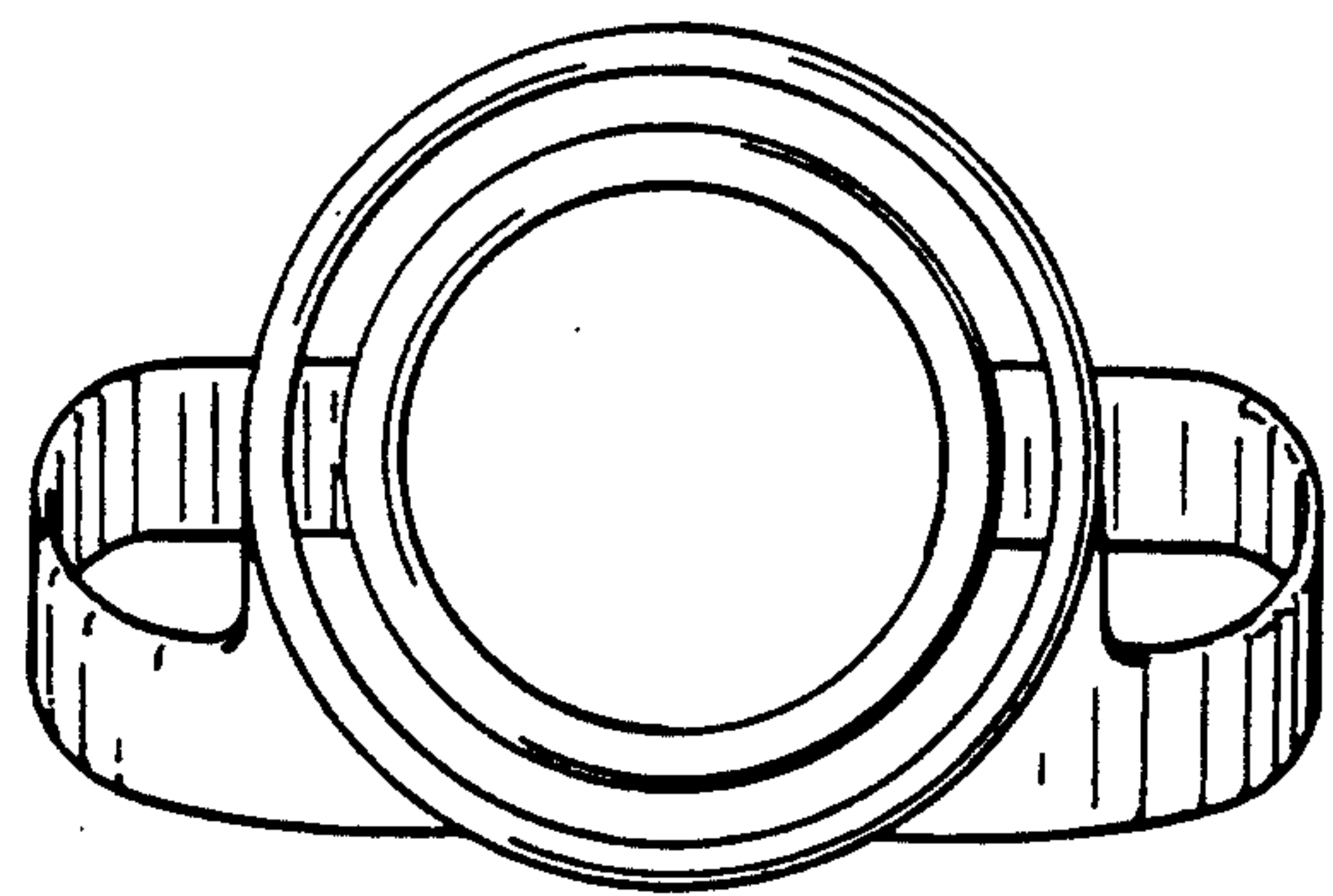


FIG. 7