



US00D336826S

# United States Patent [19] Crook

[11] Patent Number: **Des. 336,826**  
[45] Date of Patent: **\*\* Jun. 29, 1993**

[54] **DETACHABLE CONTAINER HANDLE**  
[76] Inventor: **David C. Crook**, 1332 Keyser Rd.,  
Ramona, Calif. 92065  
[\*\*] Term: **14 Years**  
[21] Appl. No.: **728,942**  
[22] Filed: **Jul. 11, 1991**  
[52] U.S. Cl. .... **D7/622**  
[58] Field of Search ..... **D7/619-625;**  
**D9/455; 215/100 R, 100 A; 220/737, 738, 94 R**

4,842,158 6/1989 Reyes, Jr. .... 220/94  
*Primary Examiner*—Terry A. Pfeffer  
*Attorney, Agent, or Firm*—David L. Baker

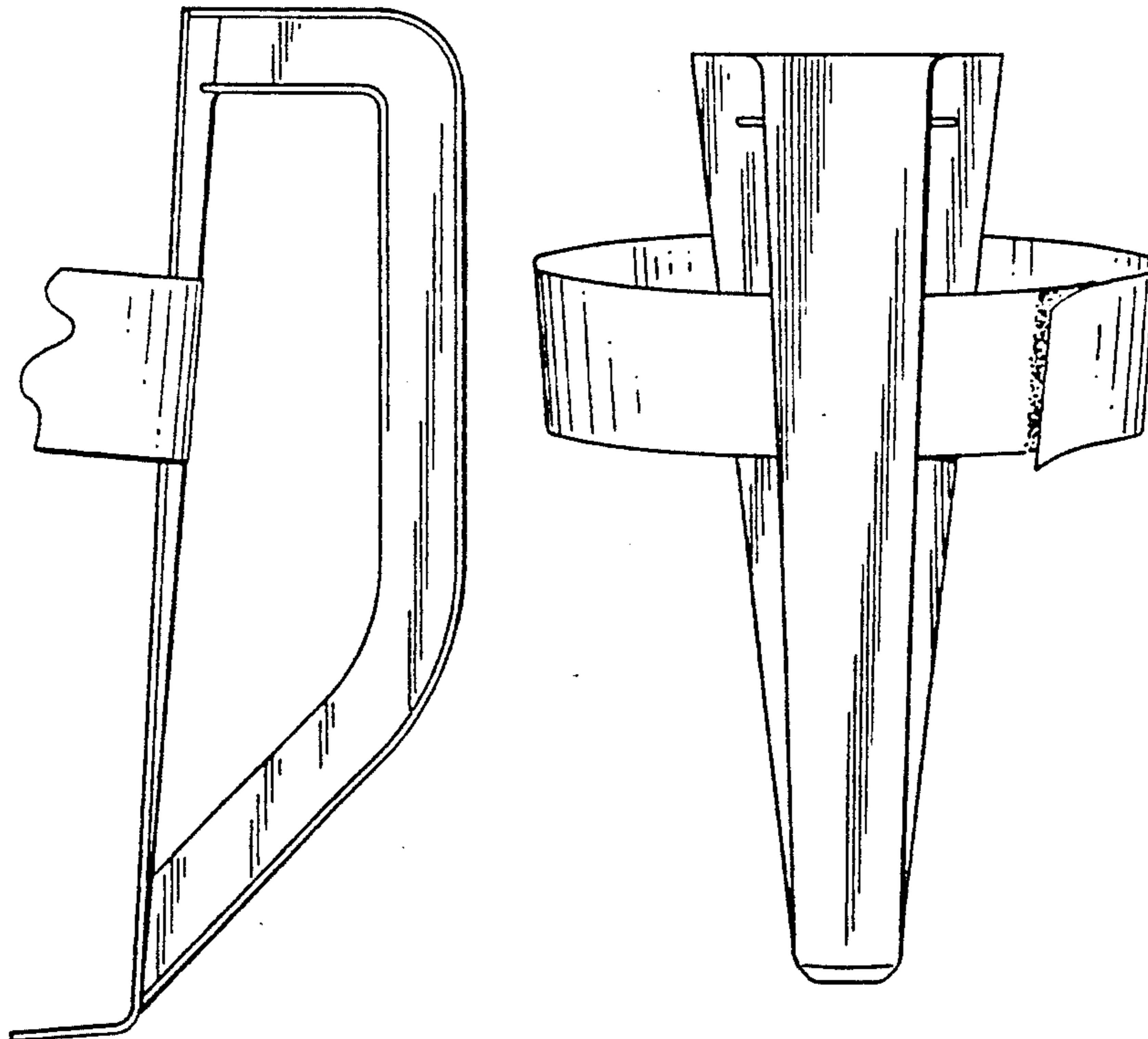
### [57] CLAIM

The ornamental design for a detachable container handle, as shown and described.

### DESCRIPTION

FIG. 1 is a perspective view of the detachable container handle showing my new design, the container shown in broken lines;  
FIG. 2 is a top plan view thereof;  
FIG. 3 is a fragmentary bottom plan view thereof;  
FIG. 4 is a right side elevational view thereof;  
FIG. 5 is a fragmentary left side elevational view thereof;  
FIG. 6 is a rear elevational view thereof; and,  
FIG. 7 is a front elevational view thereof.

[56] **References Cited**  
**U.S. PATENT DOCUMENTS**  
D. 241,906 10/1976 Dart ..... D7/622  
3,353,729 11/1967 Hull ..... 220/737 X  
4,334,661 6/1982 Pitt ..... D7/620 X  
4,552,276 11/1985 Buch ..... 220/737 X



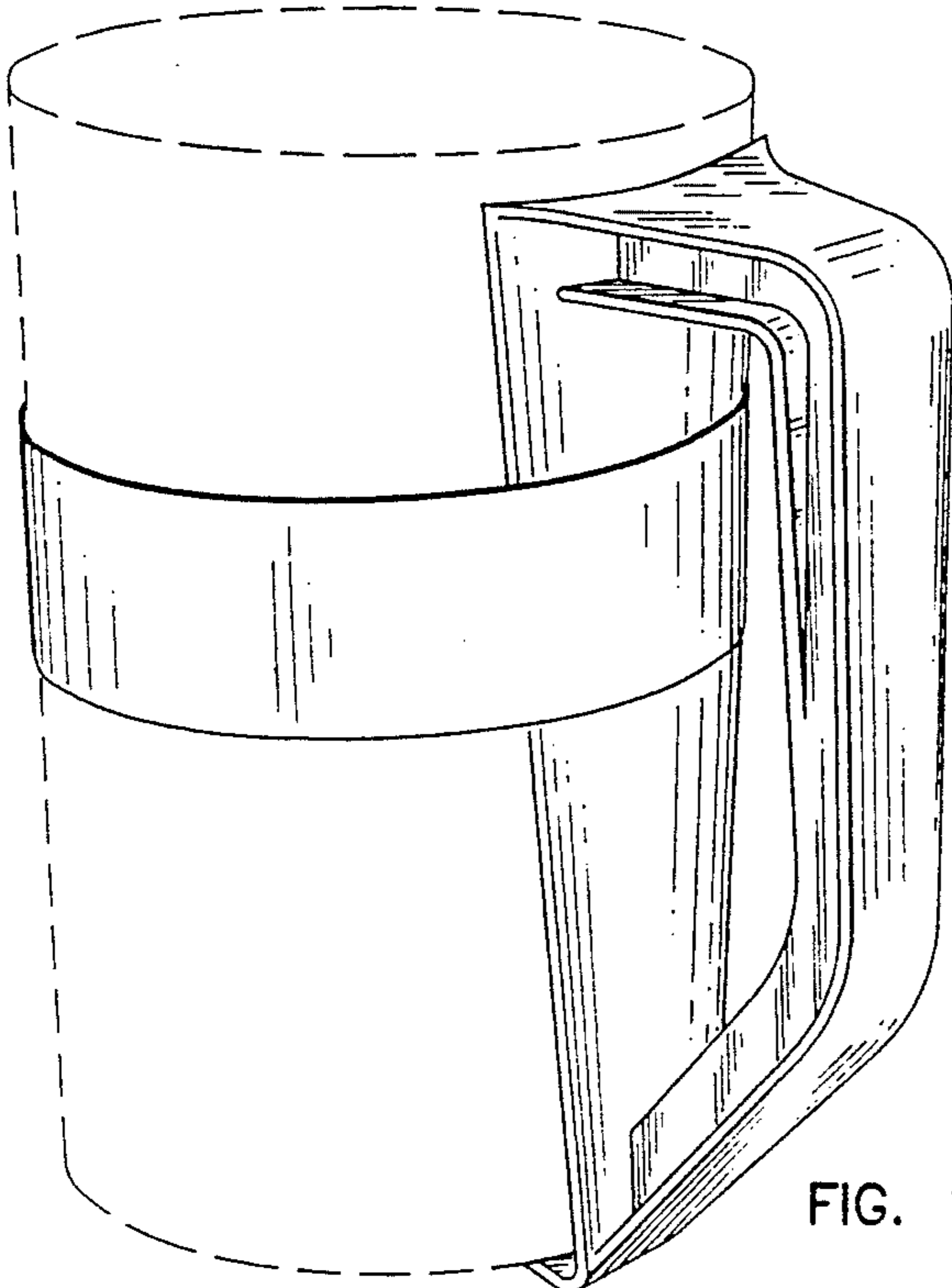


FIG. 1

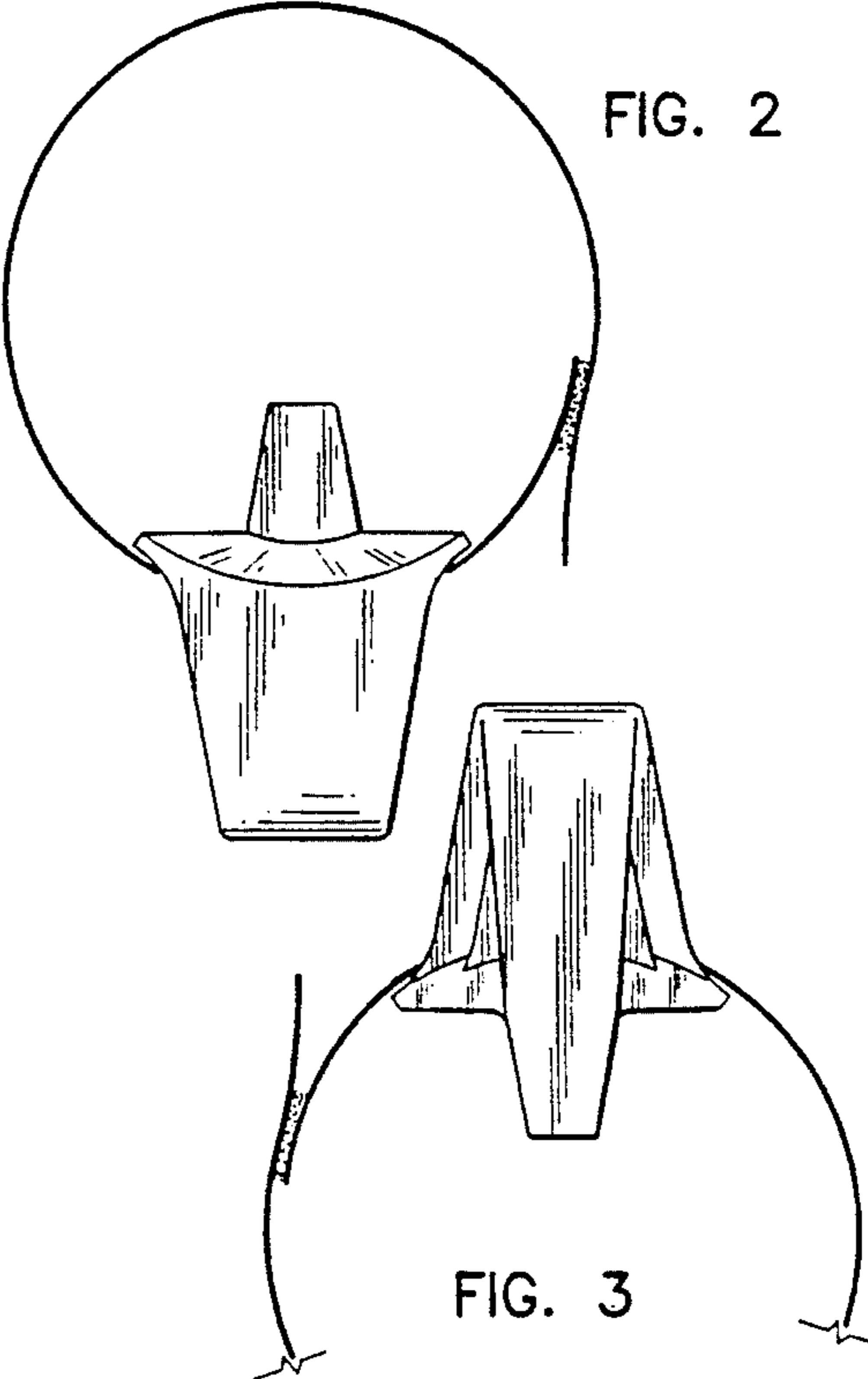


FIG. 2

FIG. 3

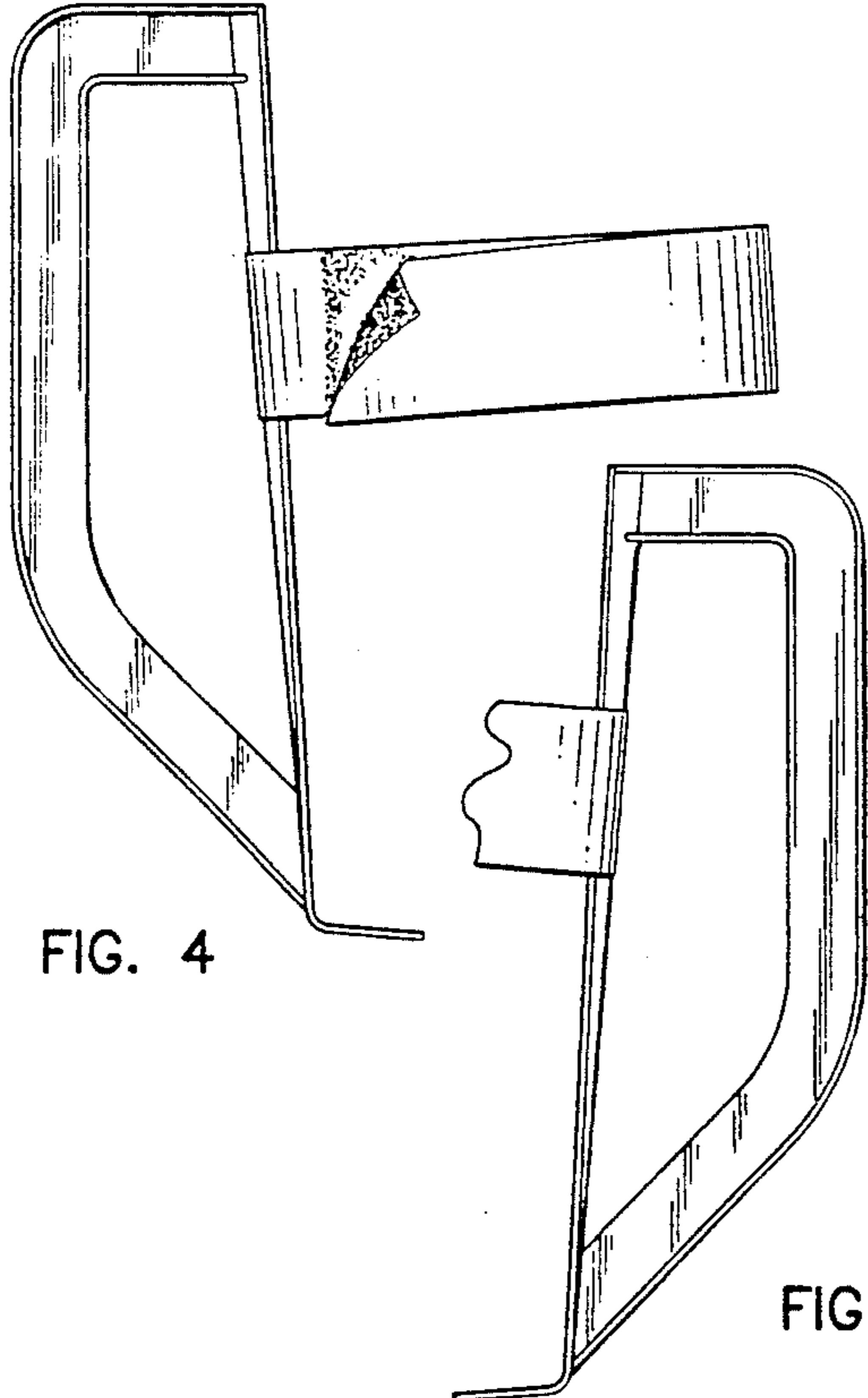


FIG. 4

FIG. 5

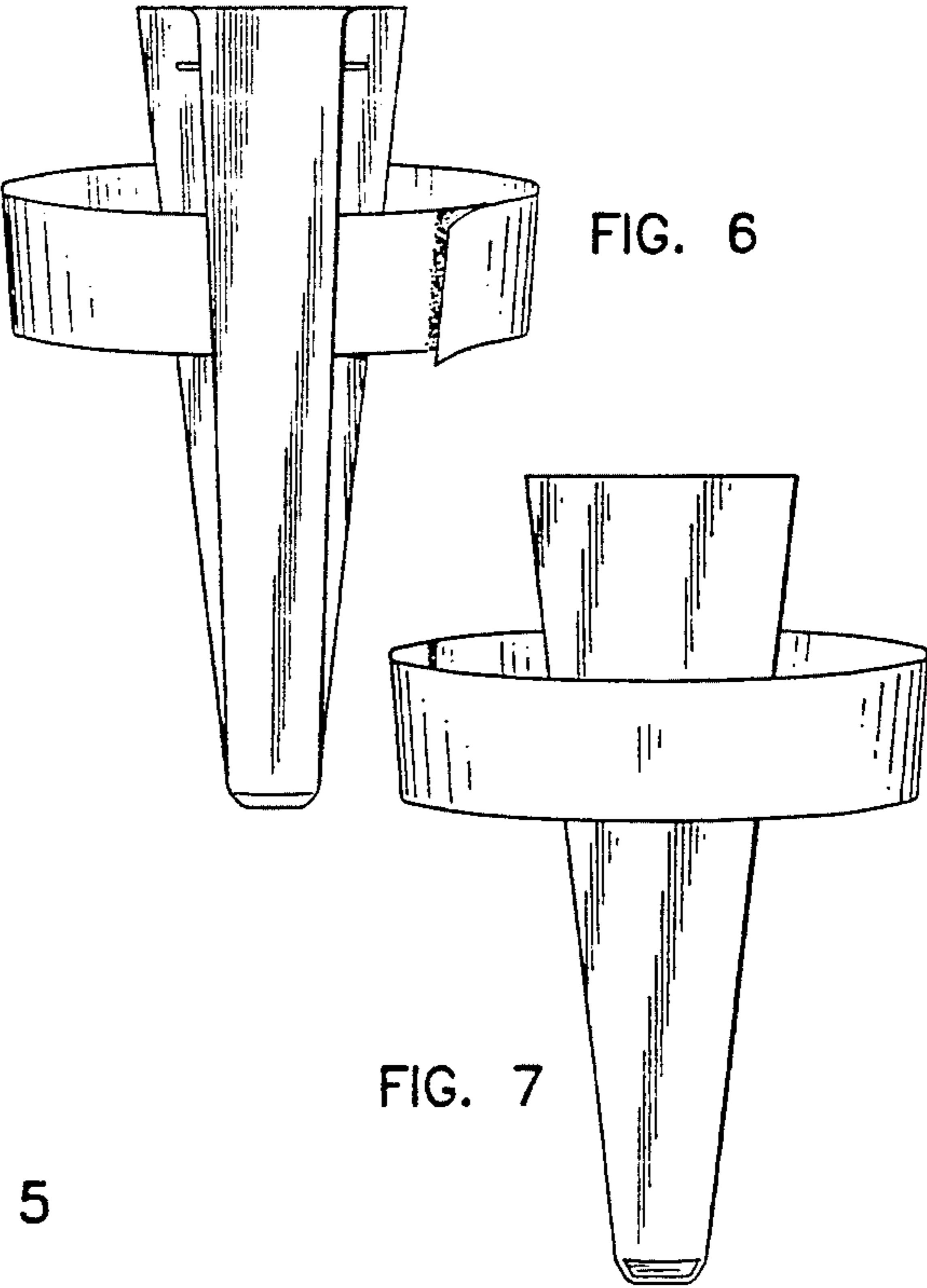


FIG. 6

FIG. 7