



US00D336818S

# United States Patent [19]

[11] Patent Number: **Des. 336,818**

Ancona et al.

[45] Date of Patent: **\*\* Jun. 29, 1993**

[54] **COMBINED SALT SHAKER AND PEPPER MILL**

D. 257,205 10/1980 Bounds .

[75] Inventors: **Bruce Ancona; Jane Ancona**, both of New York, N.Y.

*Primary Examiner*—Terry A. Pfeffer  
*Attorney, Agent, or Firm*—James A. Drobile; Robert A. Koons; Robert Rosenthal

[73] Assignee: **M. Kamenstein, Inc.**, White Plains, N.Y.

[57] **CLAIM**

[\*\*] Term: **14 Years**

The ornamental design for a combined salt shaker and pepper mill, as shown and described.

[21] Appl. No.: **819,016**

**DESCRIPTION**

[22] Filed: **Jan. 10, 1992**

[52] U.S. Cl. .... **D7/594; D7/596; D7/679**

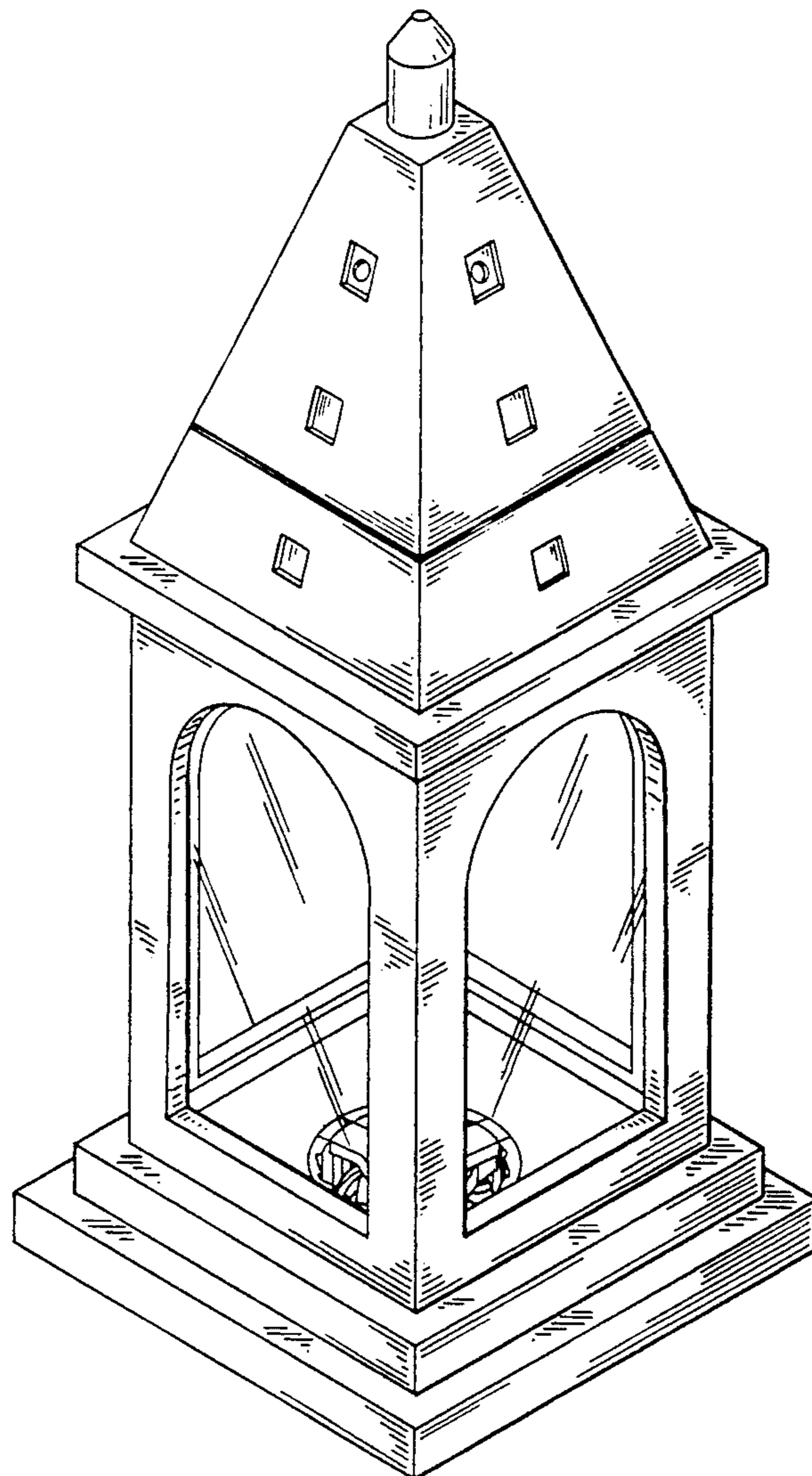
[58] Field of Search ..... **D7/679, 590-600; 222/142.1-142.9**

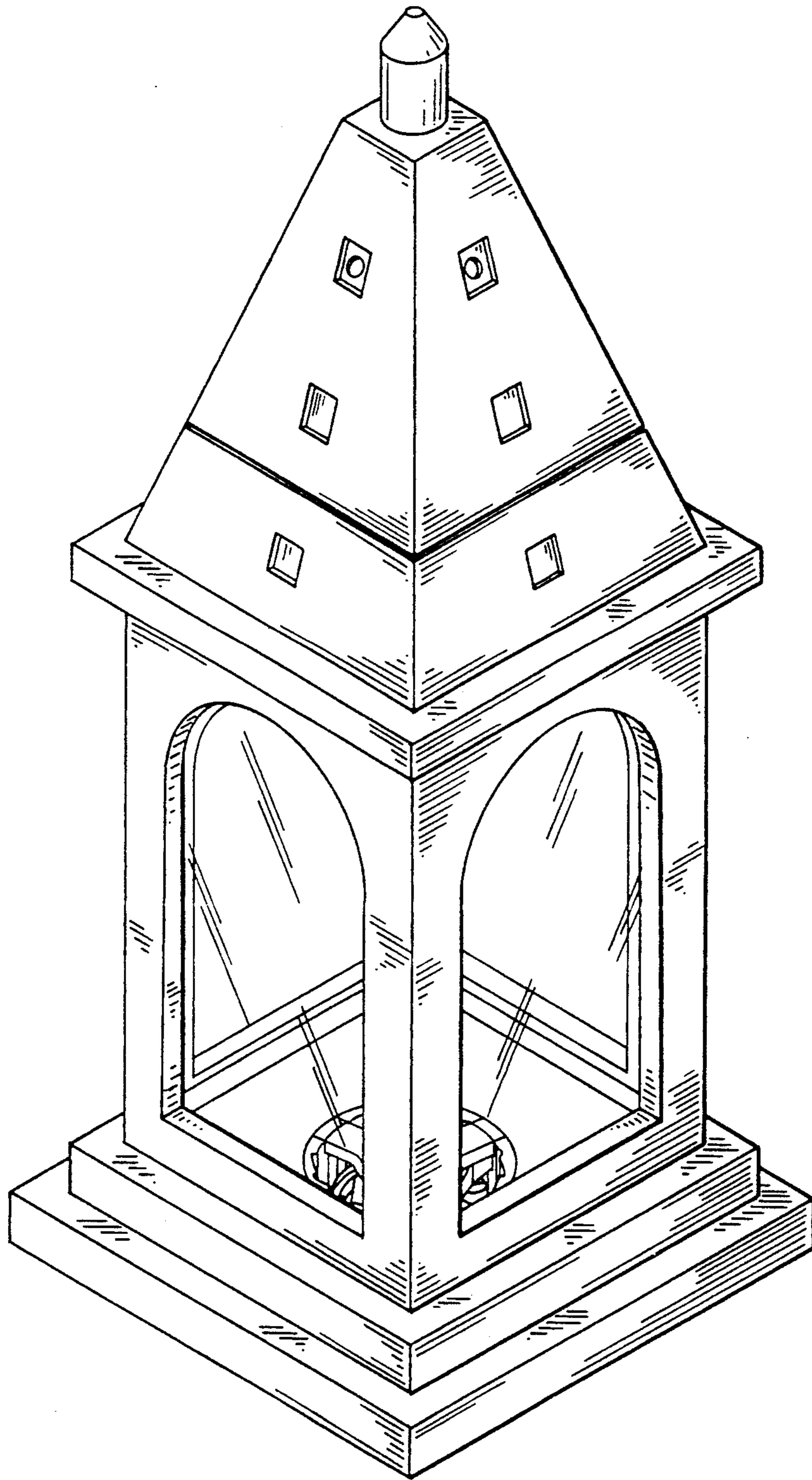
FIG. 1 is a perspective view of a combined salt shaker and pepper mill showing our new design; FIG. 2 is a side elevational view thereof; FIG. 3 is a top plan view thereof; FIG. 4 is a bottom plan view thereof; and, FIG. 5 is a side elevational view thereof, showing the combined salt shaker and pepper mill in use with peppercorns contained therein, the peppercorns being shown for illustrative purposes only and forming no part of the claimed design.

[56] **References Cited**

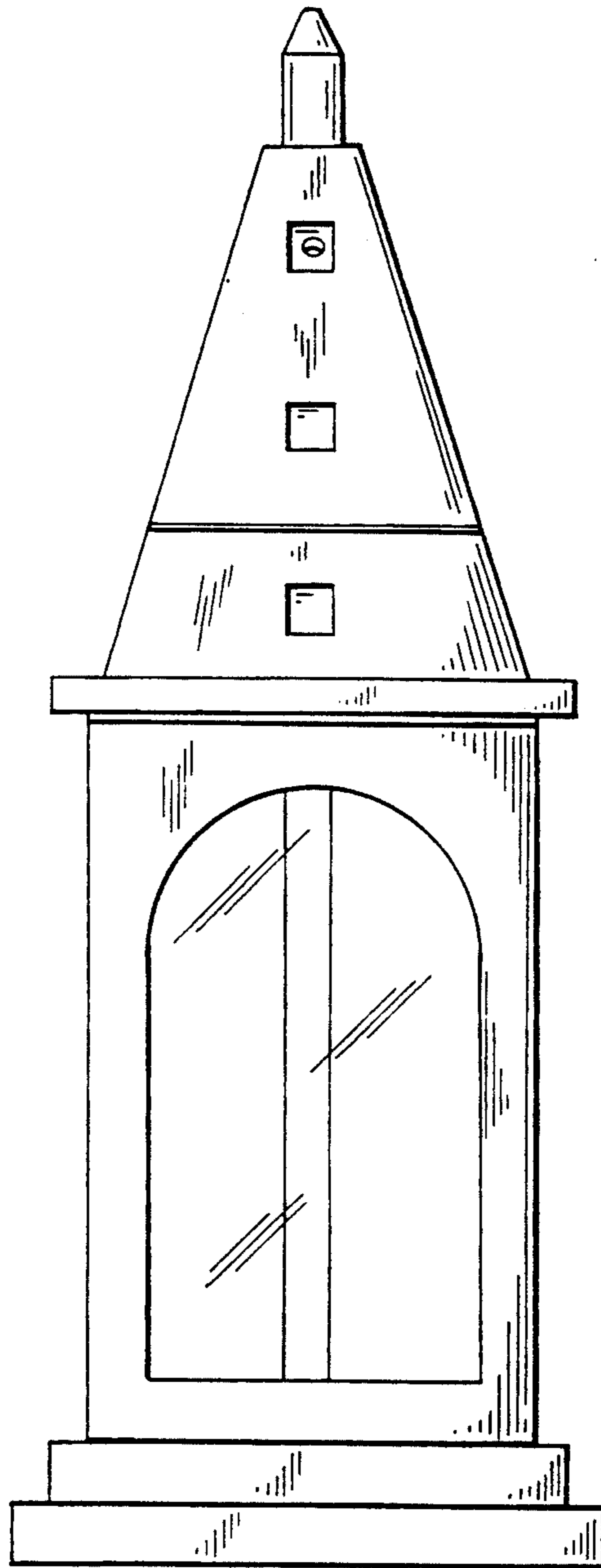
**U.S. PATENT DOCUMENTS**

D. 237,526 11/1975 Cyren .

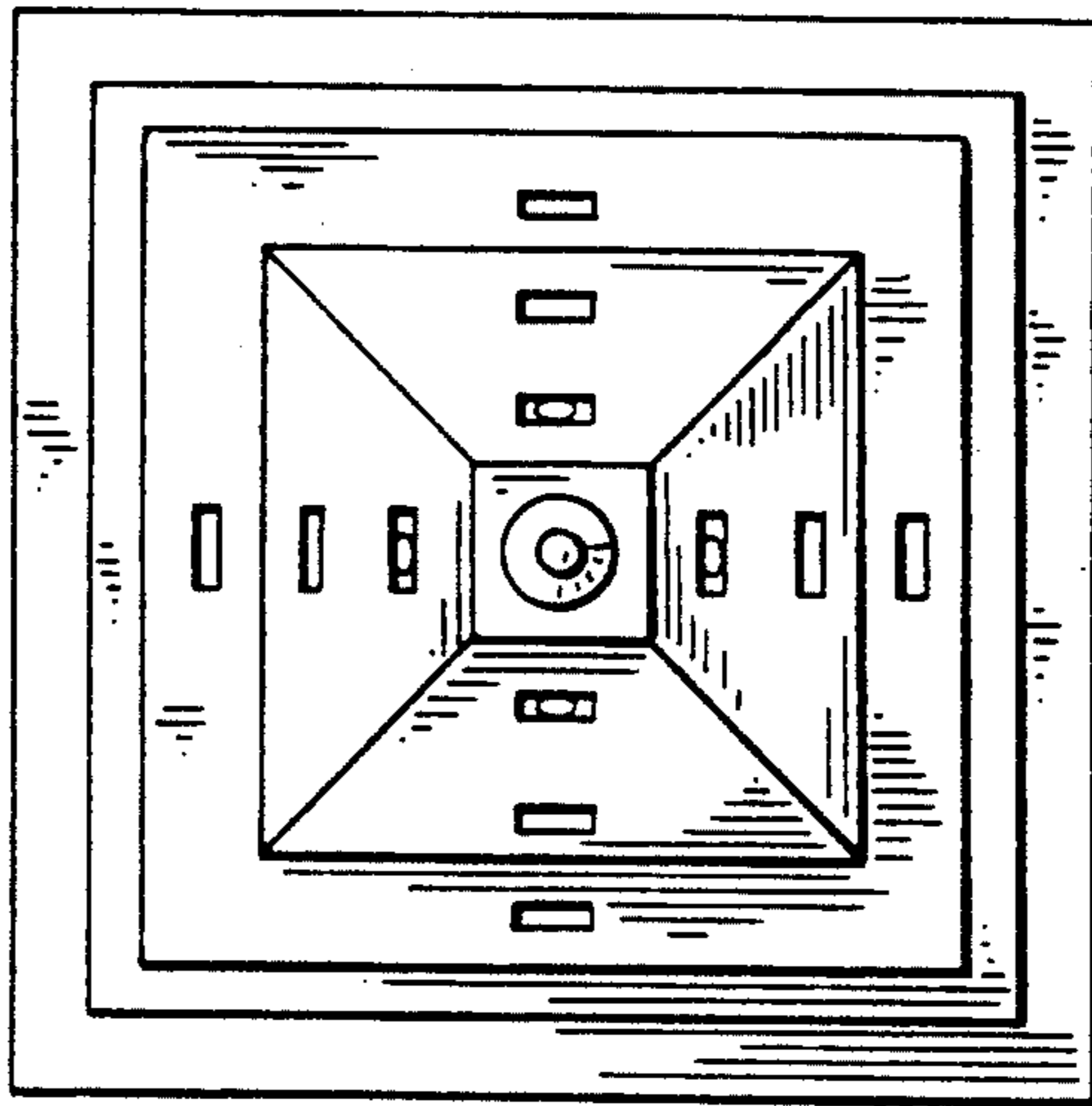




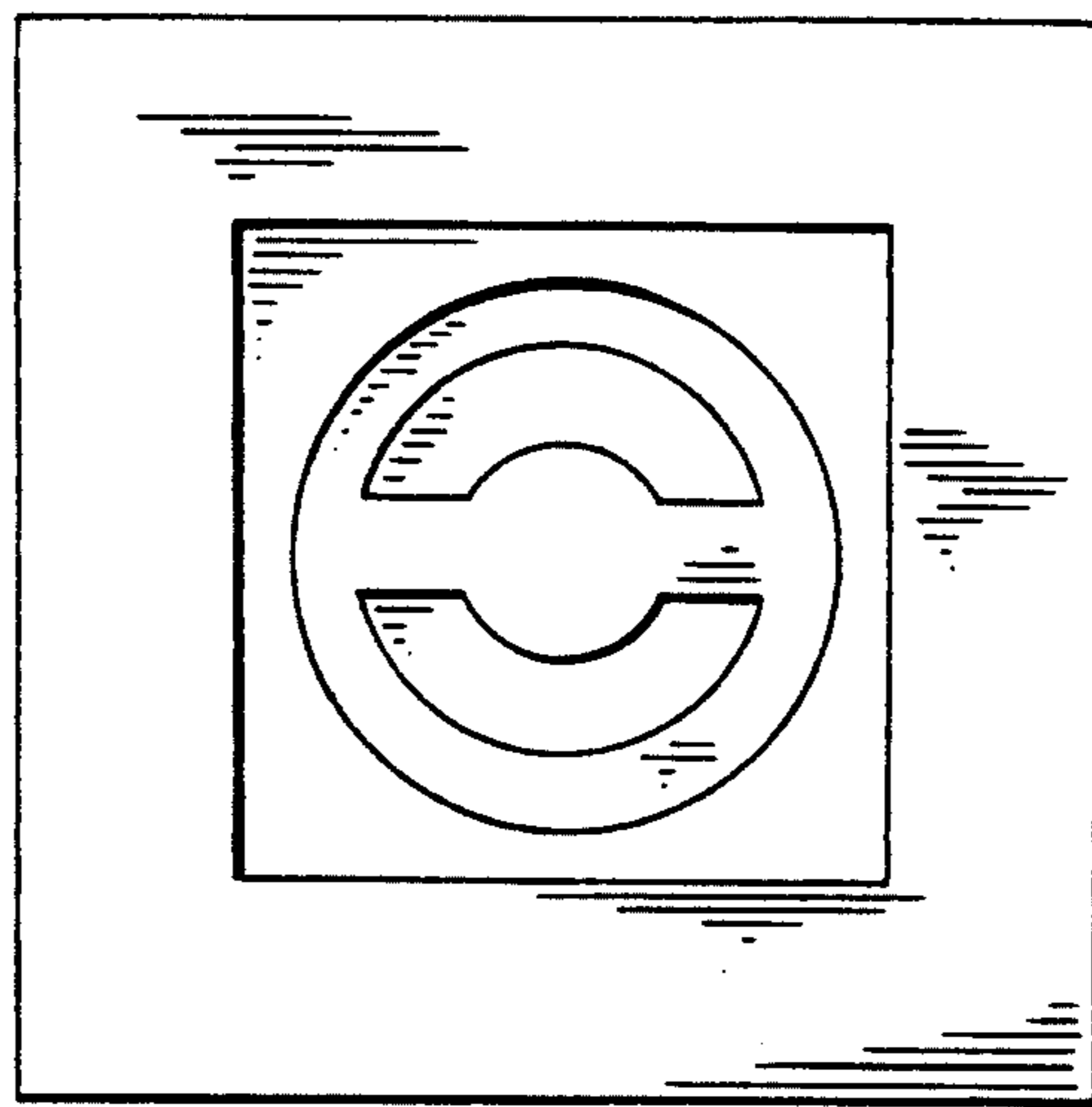
**FIG. 1**



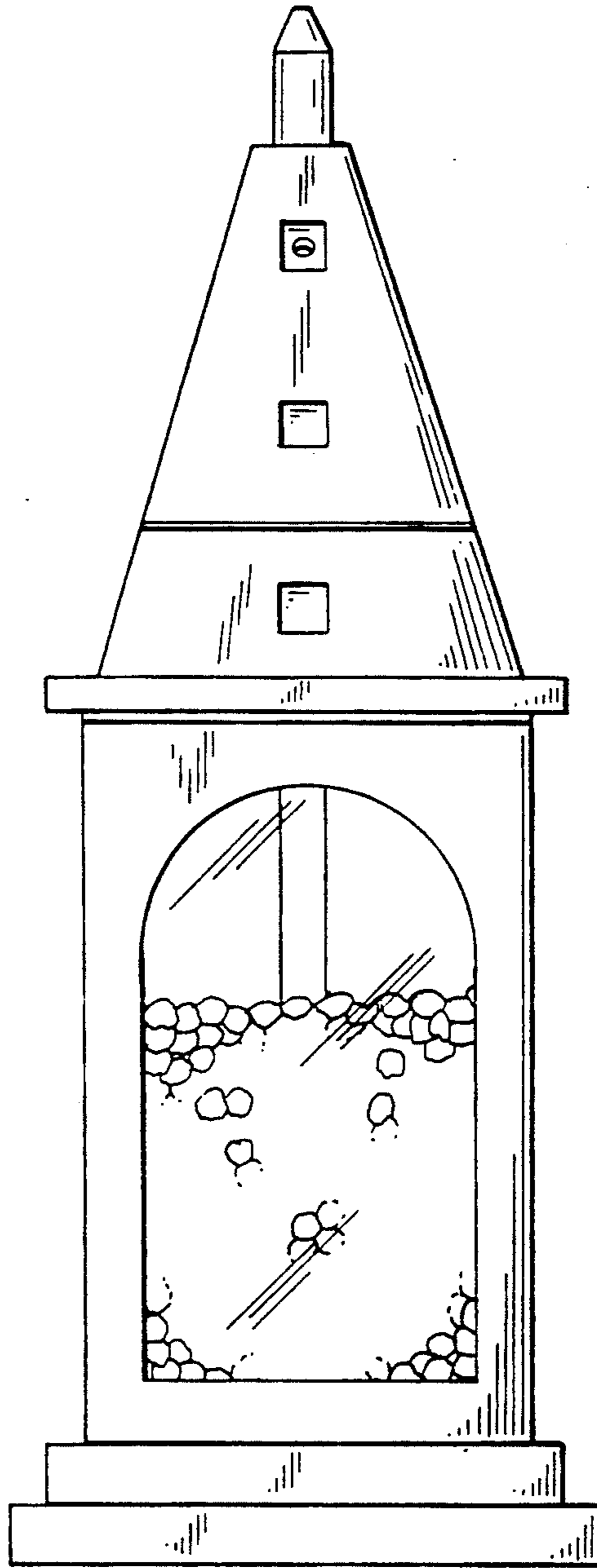
**FIG. 2**



**FIG. 3**



**FIG. 4**



**FIG. 5**