



US00D336815S

United States Patent [19]

[11] Patent Number: **Des. 336,815**

Cashin et al.

[45] Date of Patent: **** Jun. 29, 1993**

[54] **ELECTRIC SLOW COOKER BASE**

D. 247,946 5/1978 Painter et al. D7/362

[75] Inventors: **Sally K. Cashin, Milwaukee, Wis.;**
William C. Cesaroni, Glenview, Ill.

D. 248,079 6/1978 Painter et al. D7/362

D. 259,616 6/1981 Painter et al. D7/360

D. 321,625 11/1991 Dobson et al. D7/360

[73] Assignee: **The West Bend Company, West Bend, Wis.**

Primary Examiner—A. Hugo Word

Assistant Examiner—Ruth McInroy

Attorney, Agent, or Firm—Russell L. McIlwain

[**] Term: **14 Years**

[21] Appl. No.: **468,489**

[57] **CLAIM**

The ornamental design for a electric slow cooker base, as shown.

[22] Filed: **Jan. 23, 1990**

[52] U.S. Cl. **D7/367**

[58] Field of Search **D7/360-367,**
D7/354-355, 357, 359, 543, 545; 99/422, 425,
426, 447; 219/443, 445-448, 458

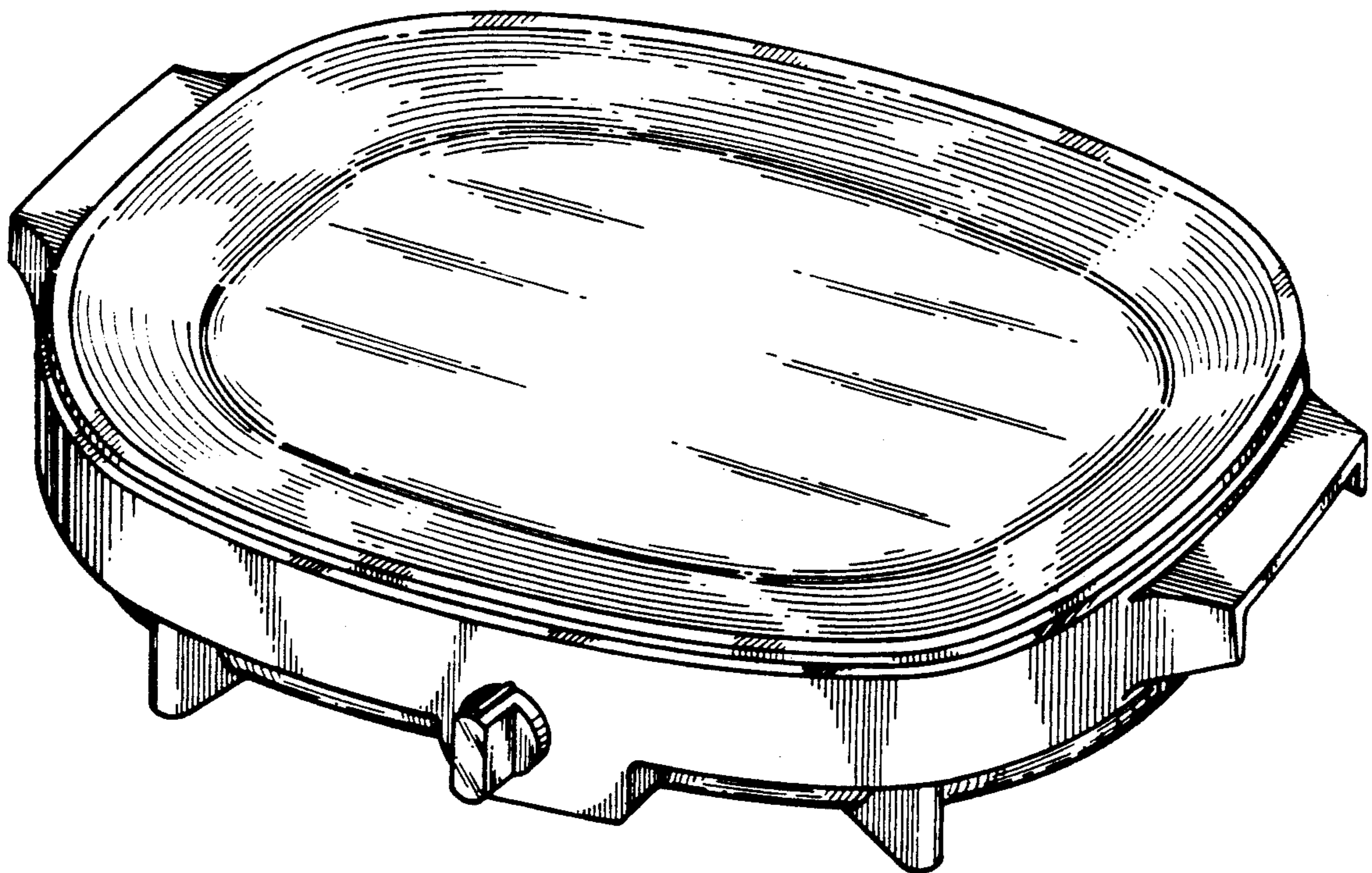
DESCRIPTION

FIG. 1 is a front perspective view of a base for electric slow cooker base embodying our new design; FIG. 2 is a right elevational view thereof; FIG. 3 is a left elevational view thereof; FIG. 4 is a rear elevational view thereof; and, FIG. 5 is a bottom plan view thereof.

[56] **References Cited**

U.S. PATENT DOCUMENTS

D. 178,247 7/1956 Knapp D7/363



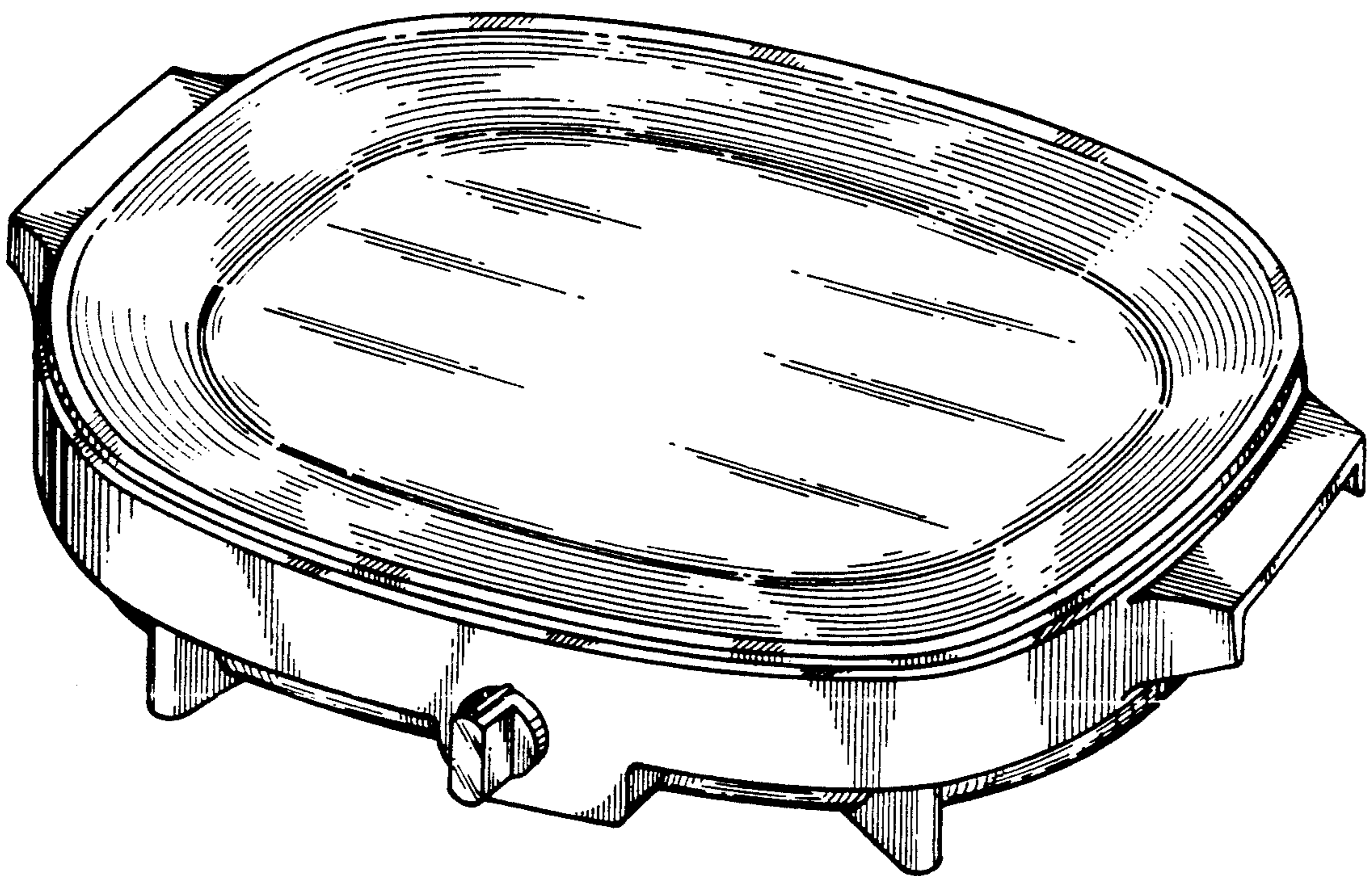


Fig. 1

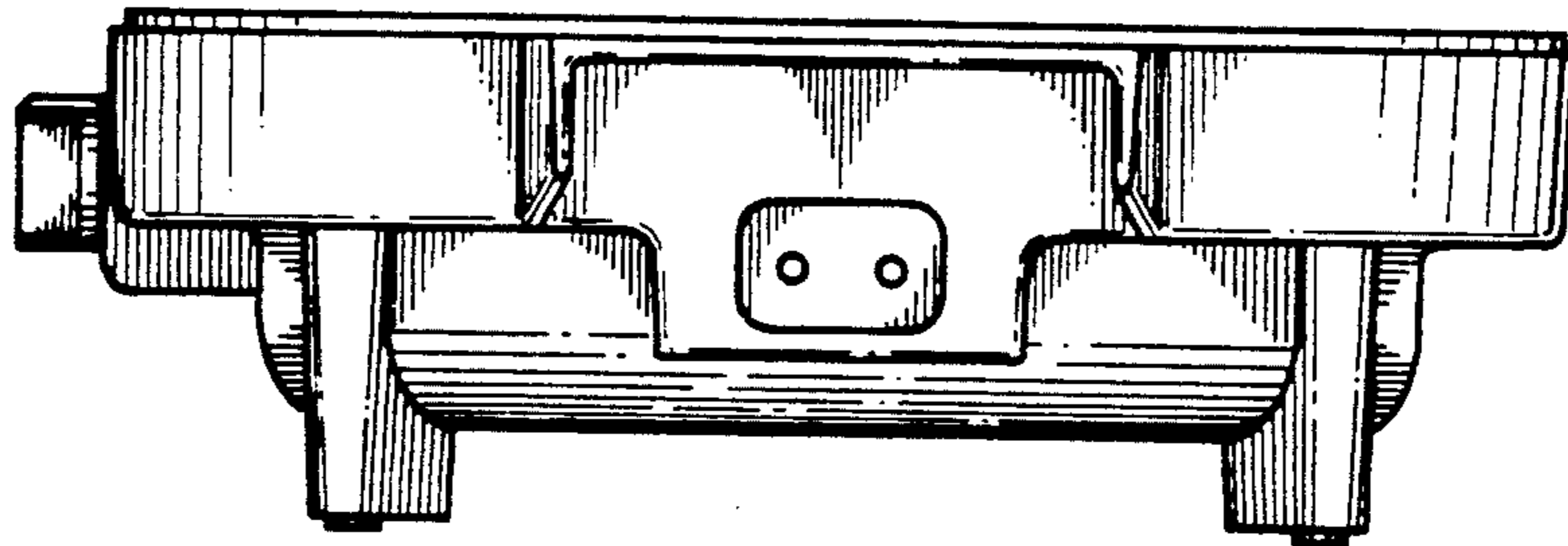


Fig. 2

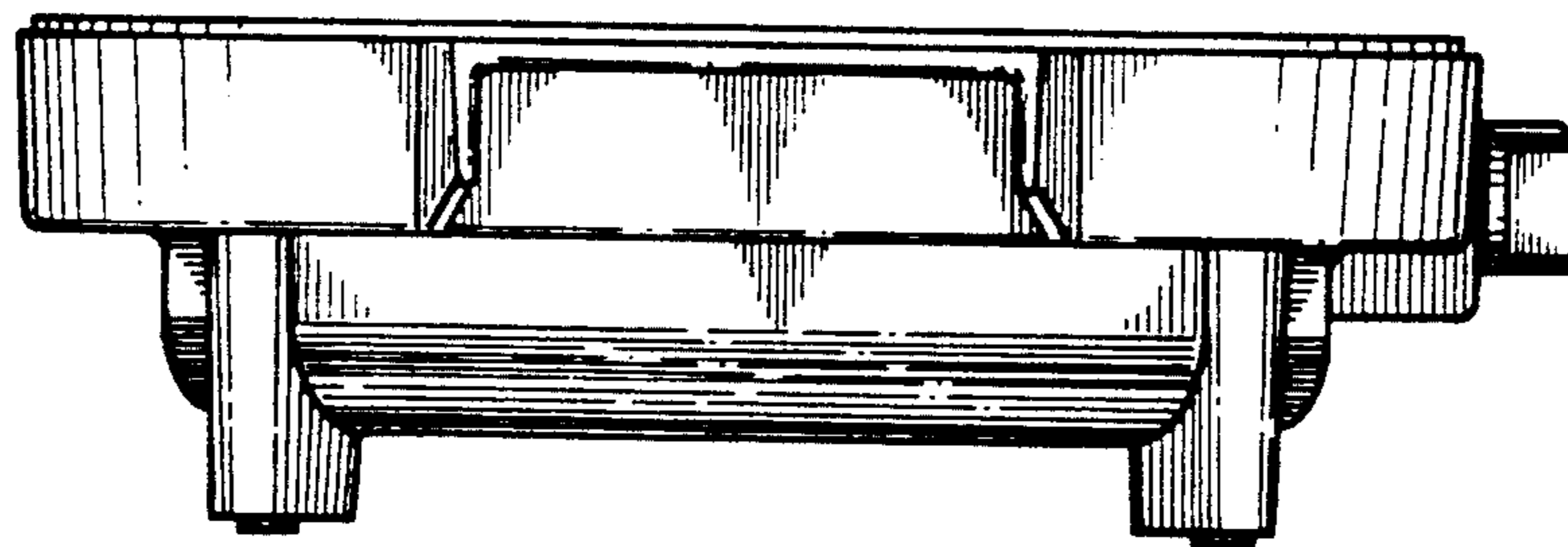


Fig. 3

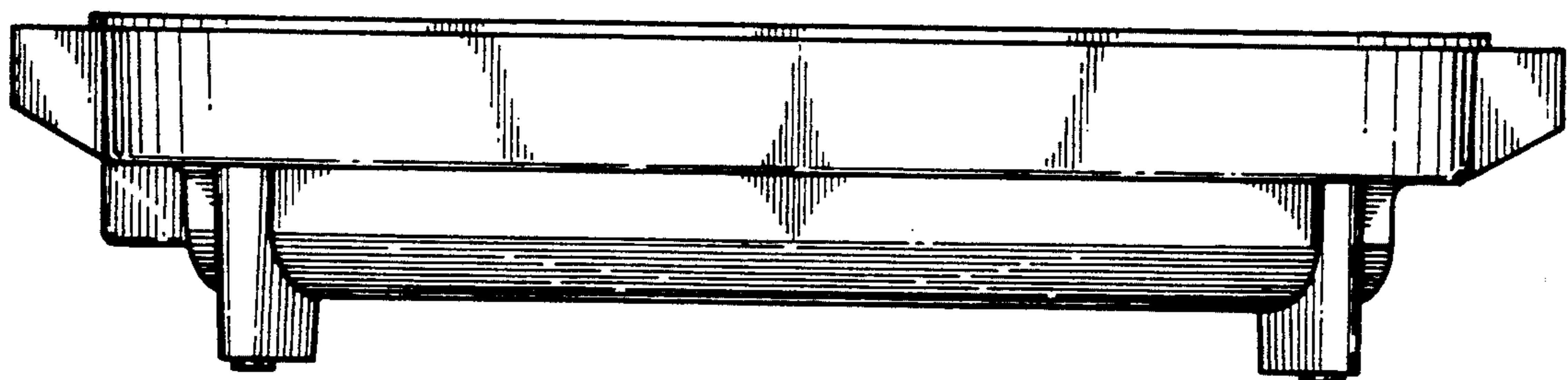


Fig. 4

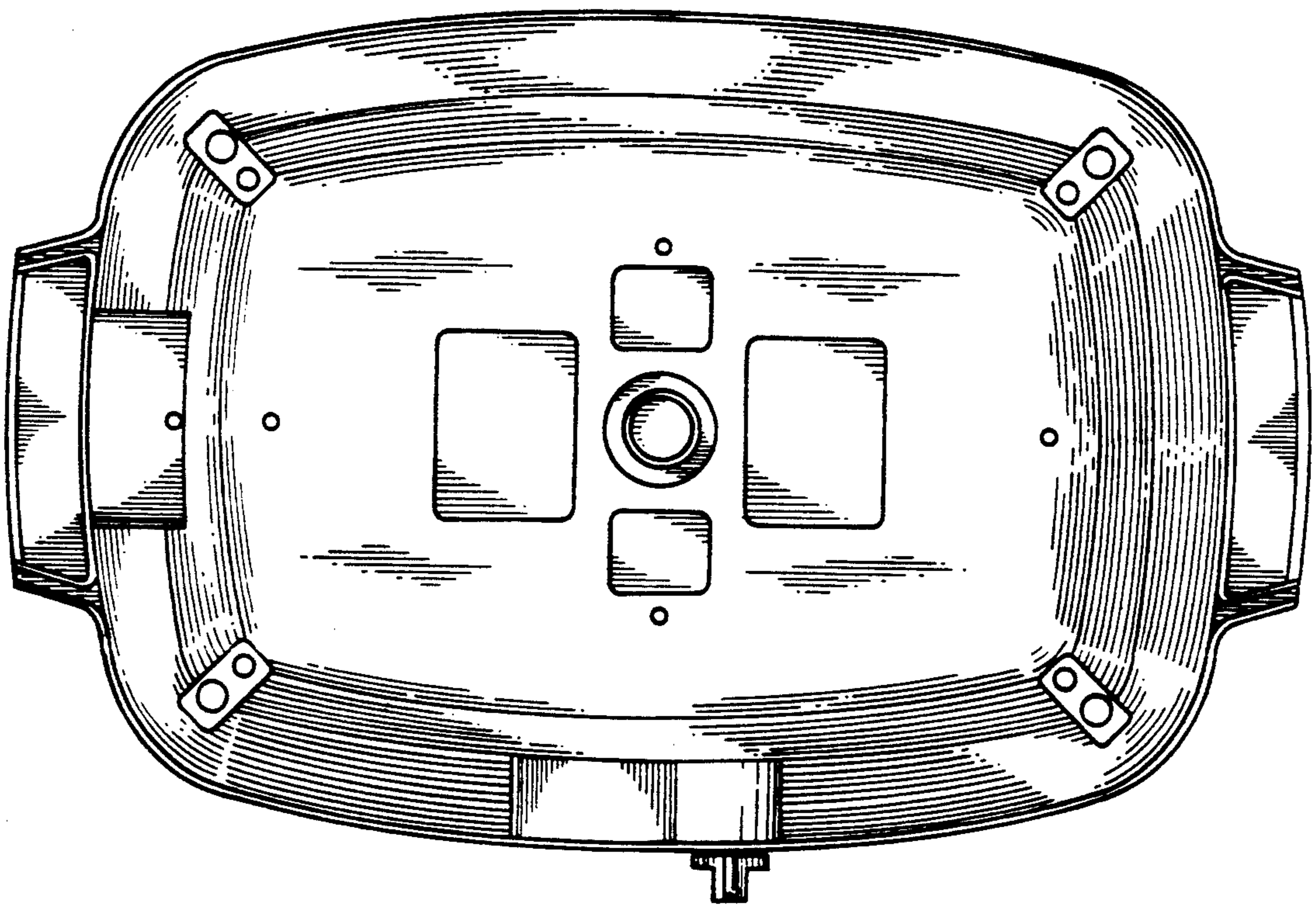


Fig. 5