



US00D336814S

United States Patent [19]
Brookshire

[11] **Patent Number: Des. 336,814**

[45] **Date of Patent: ** Jun. 29, 1993**

[54] **TOASTER OVEN**

[75] **Inventor: Phillip L. Brookshire, Cincinnati, Ohio**
[73] **Assignee: Hamilton Beach/Proctor-Silex, Inc., Glen Allen, Va.**
[**] **Term: 14 Years**
[21] **Appl. No.: 592,069**

[22] **Filed: Oct. 3, 1990**
[52] **U.S. Cl. D7/350**
[58] **Field of Search D7/339, 347-351; 126/273 R, 273 A, 273.5, 274, 275 R, 275 E, 19 M, 20, 20.1, 21 A; 219/401-402, 405, 412, 414, 10.55 R, 10.55 A, 10.55 B, 10.55 C, 10.55 D, 10.55 F, 386, 391**

[56] **References Cited**

U.S. PATENT DOCUMENTS

D. 286,003	10/1986	Viancin	D7/350
D. 292,058	9/1987	Cesaroni	D7/350
D. 296,858	7/1988	Oohi	D7/350
D. 300,711	4/1989	Moritani	D7/351
D. 301,428	6/1989	Viancin	D7/350
D. 304,147	10/1989	Takada et al.	D7/350
D. 304,542	11/1989	Yoo	D7/351
D. 309,078	7/1990	Kokubo	D7/351

FOREIGN PATENT DOCUMENTS

35348 5/1972 Canada .

OTHER PUBLICATIONS

Woodward & Lothrop, Sep. 30, 1985, "Delonghi toaster oven".
Model FC-50.1, Rowenta International 86, published by Rowenta-Werke GmbH, 1986.
Fourteen pages of advertisements, including product designs from Sanyo, Samsung, Moulinex, De Longhi, Toastmaster and GE.

Primary Examiner—A. Hugo Word
Assistant Examiner—Ruth McInroy
Attorney, Agent, or Firm—Roger S. Dybvig

[57] **CLAIM**

The ornamental design for a toaster oven, as shown and described.

DESCRIPTION

FIG. 1 is a top, front and left side perspective view of a toaster oven showing my new design;
FIG. 2 is a front elevational view thereof;
FIG. 3 is a left side elevational view thereof;
FIG. 4 is a right side elevational view thereof;
FIG. 5 is a rear elevational view thereof;
FIG. 6 is a top plan view thereof;
FIG. 7 is a bottom plan view thereof; and,
FIG. 8 is a top, front and left side perspective view of a second embodiment thereof, the only difference residing in the control panel which does not include push buttons and has a different placement of the indicator light.
The rack shown in broken lines in FIGS. 1 and 8 is shown for illustrative purposes only and forms no part of the claimed design. Also, the access door shown in broken lines in FIG. 7 is shown for illustrative purposes only and forms no part of the claimed design.

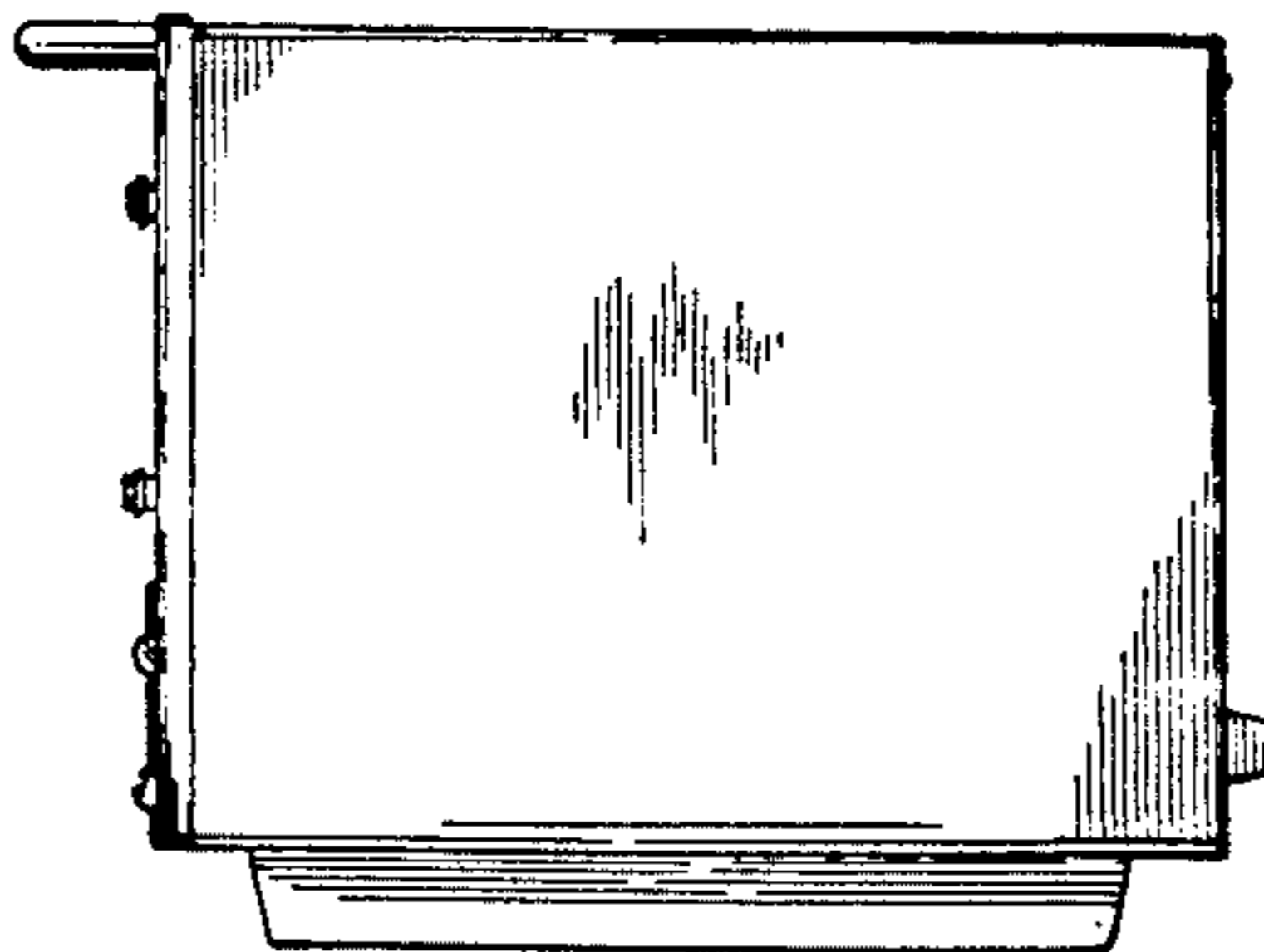
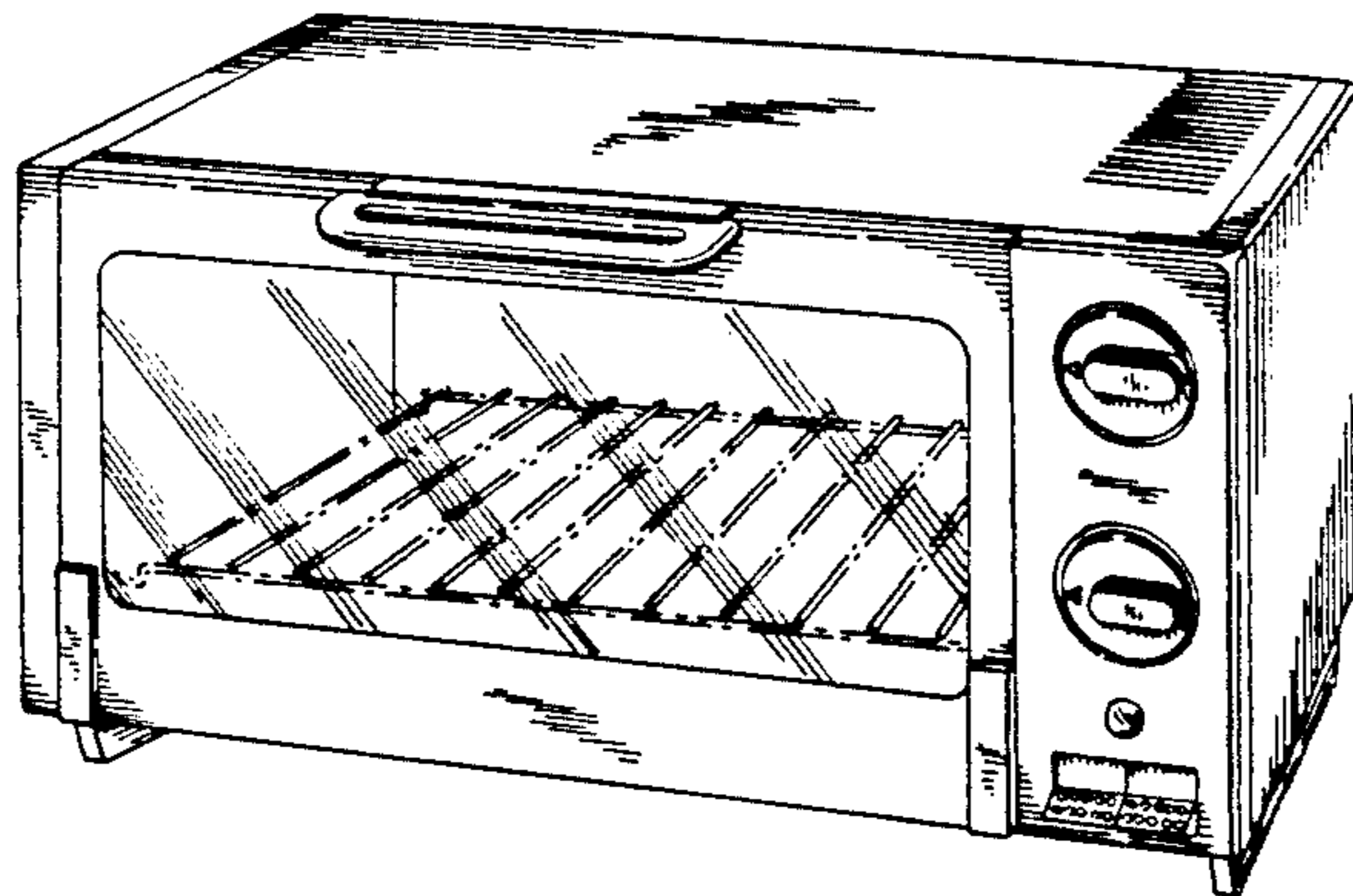


FIG-1

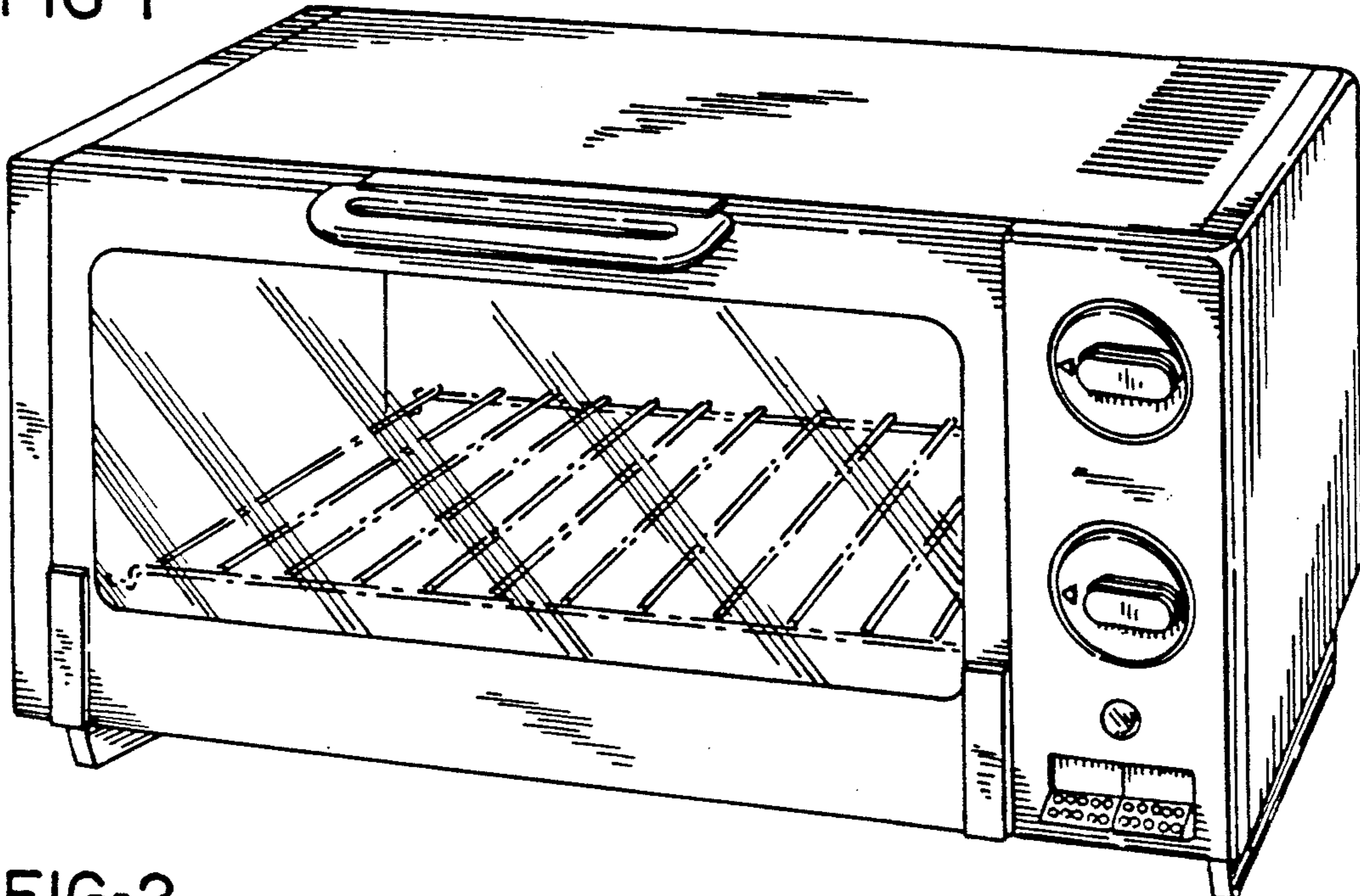


FIG-2

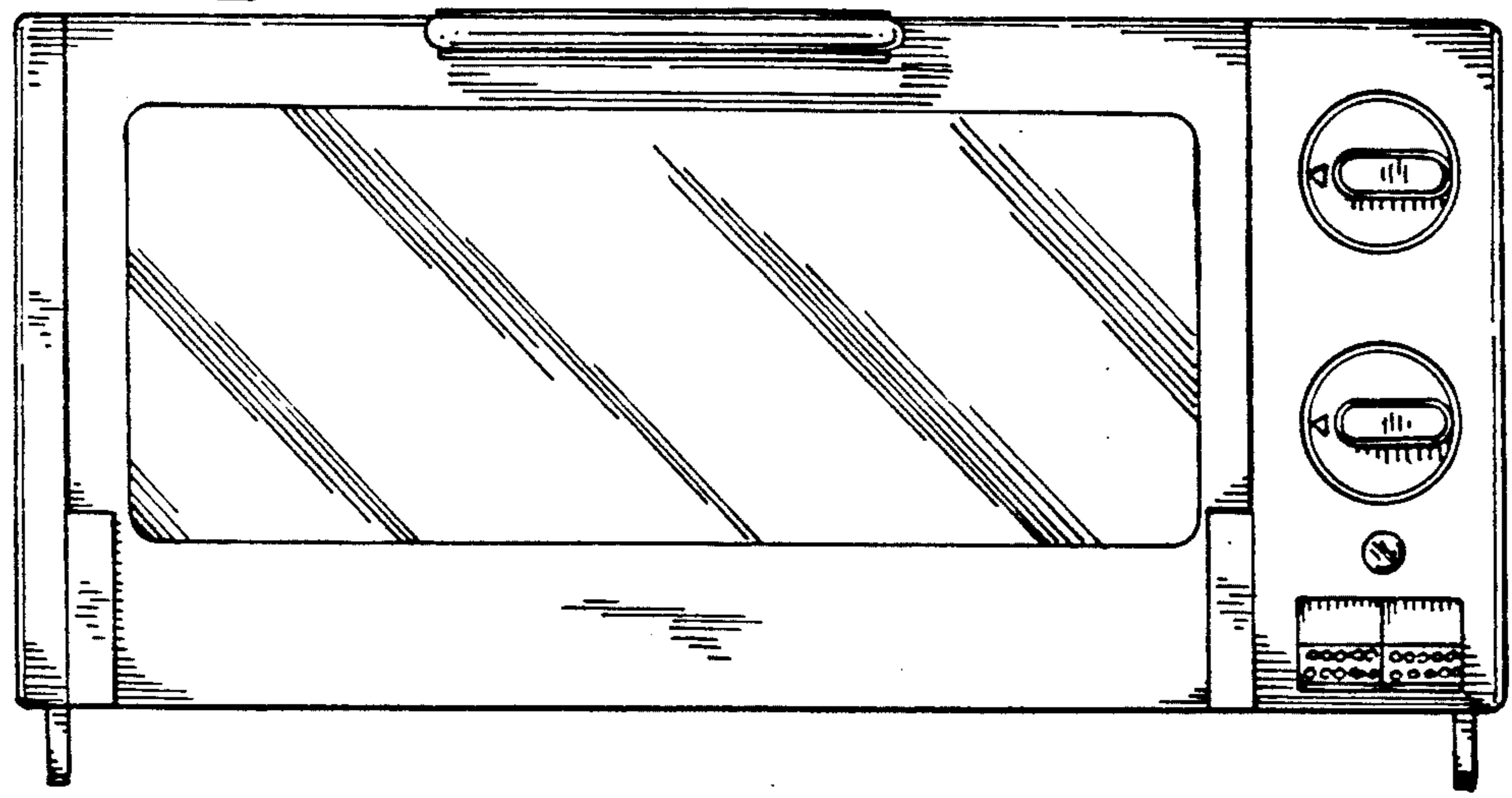


FIG-3

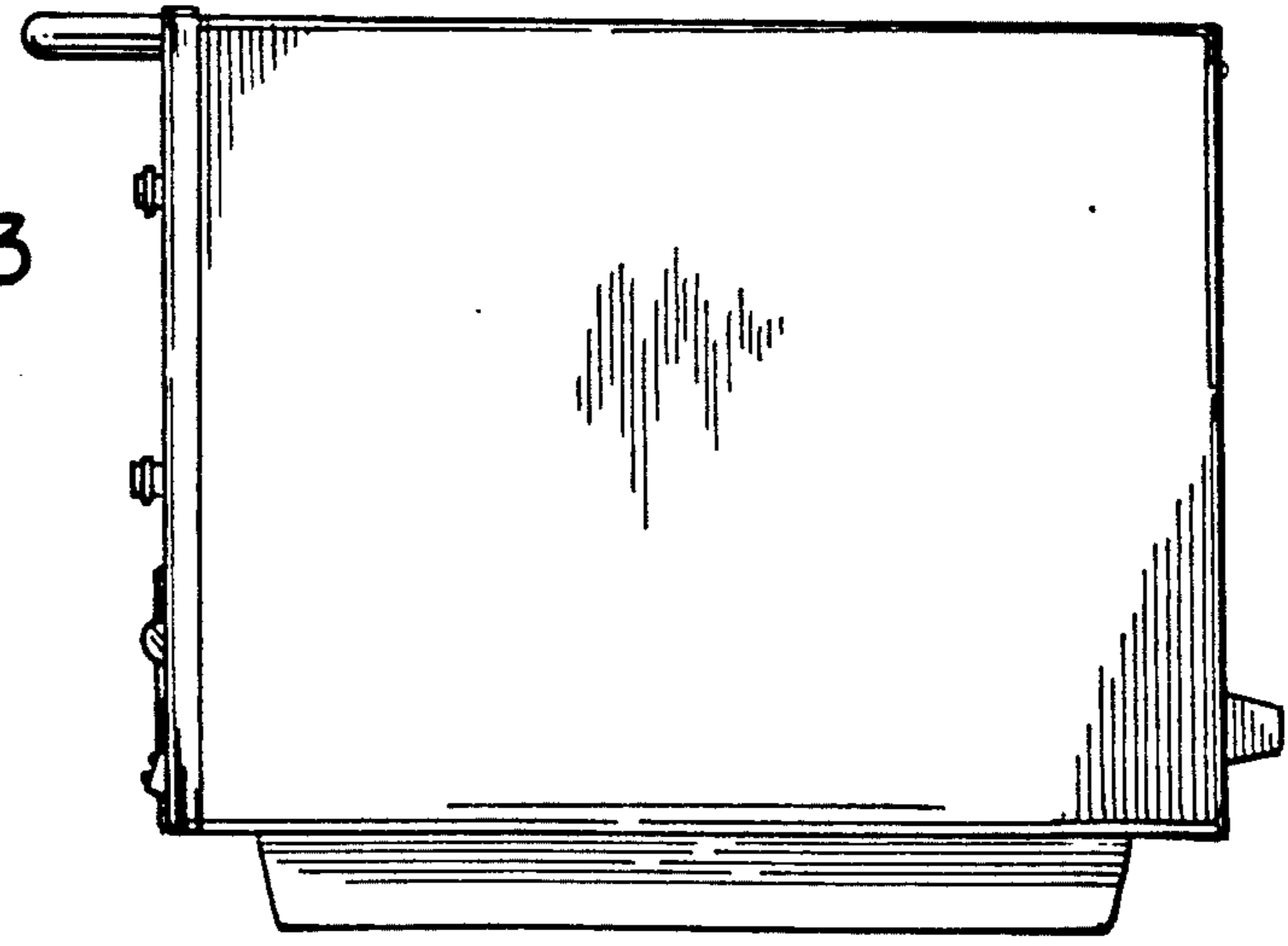


FIG-4

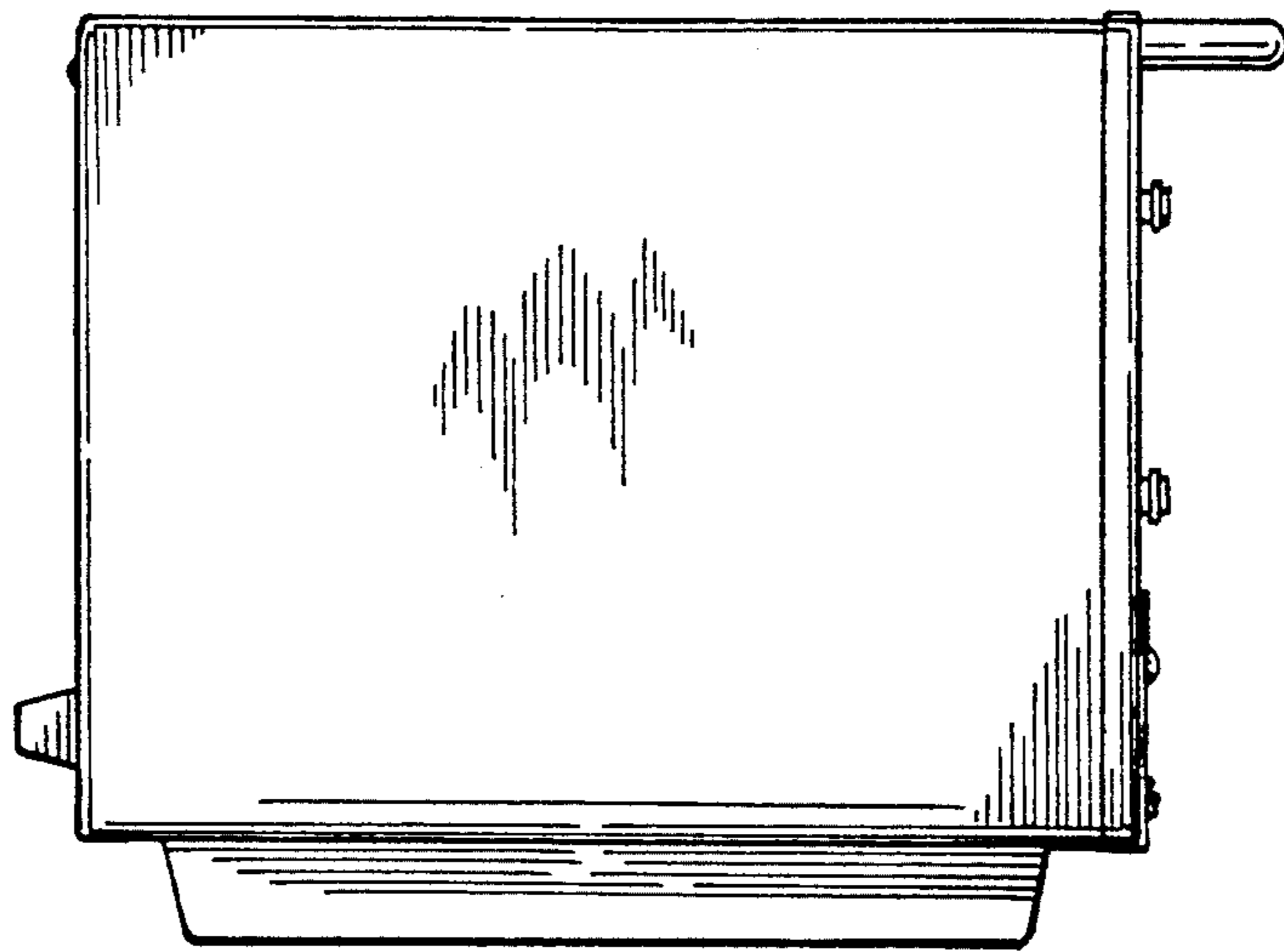


FIG-5

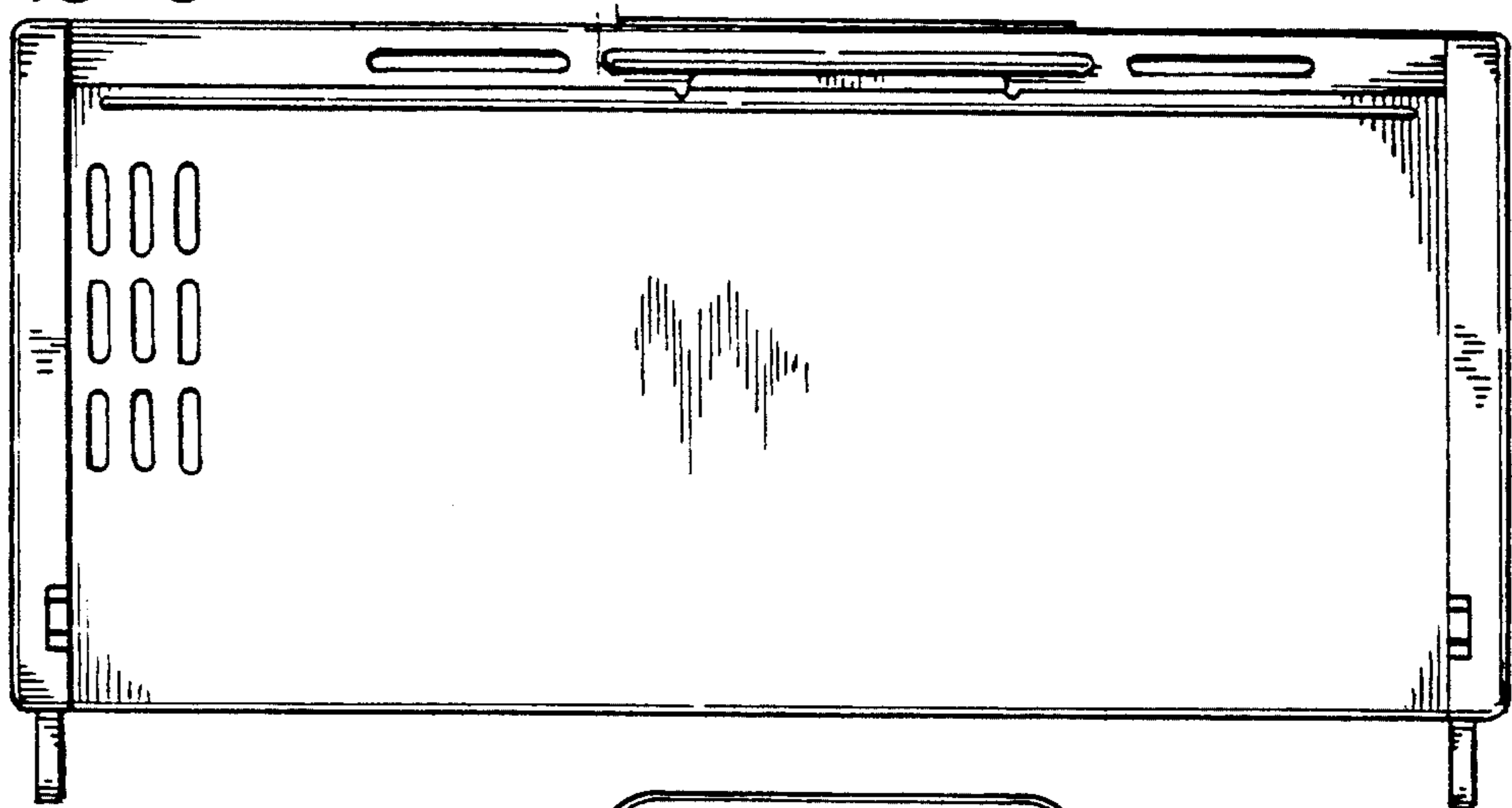


FIG-6

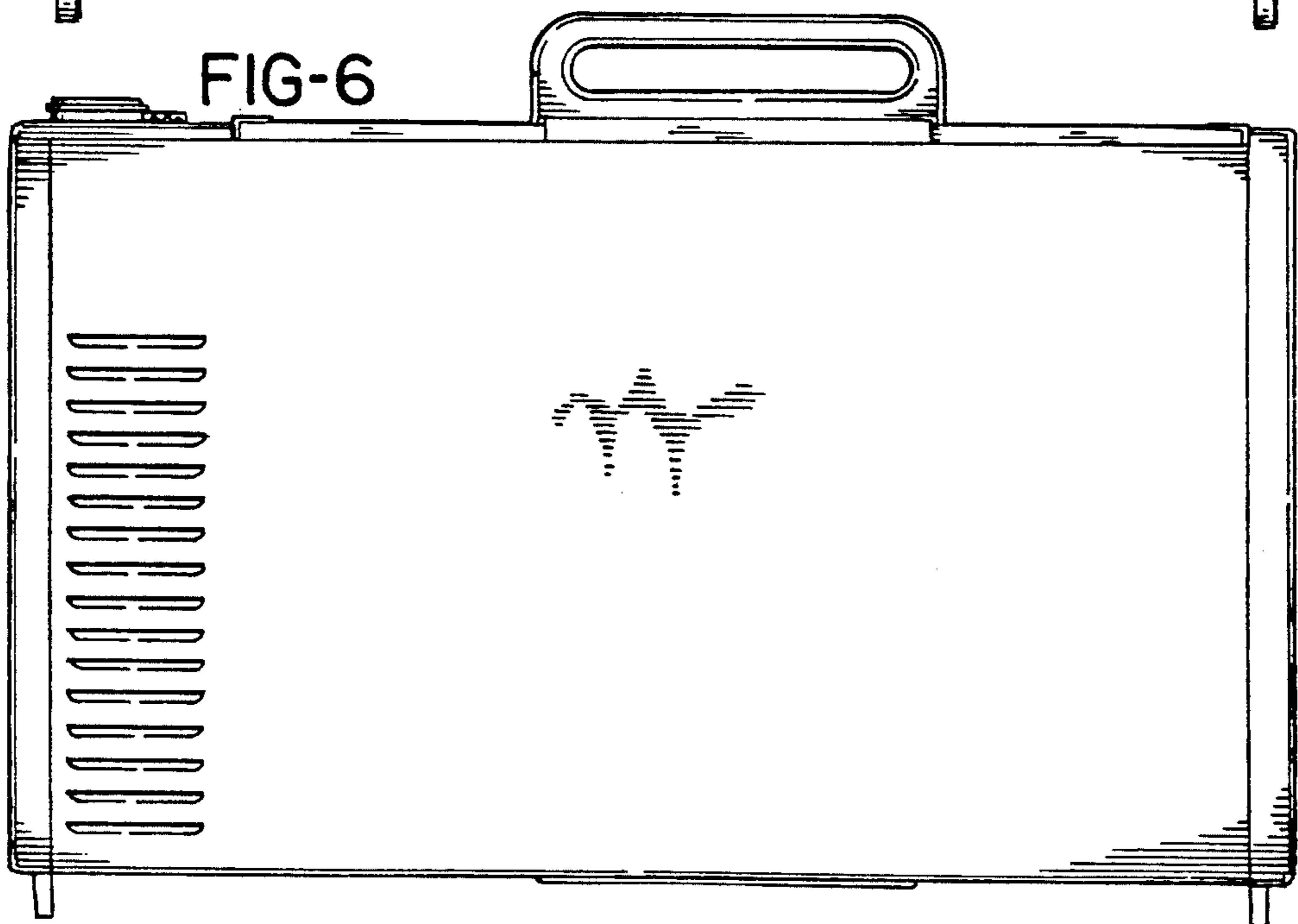


FIG-7

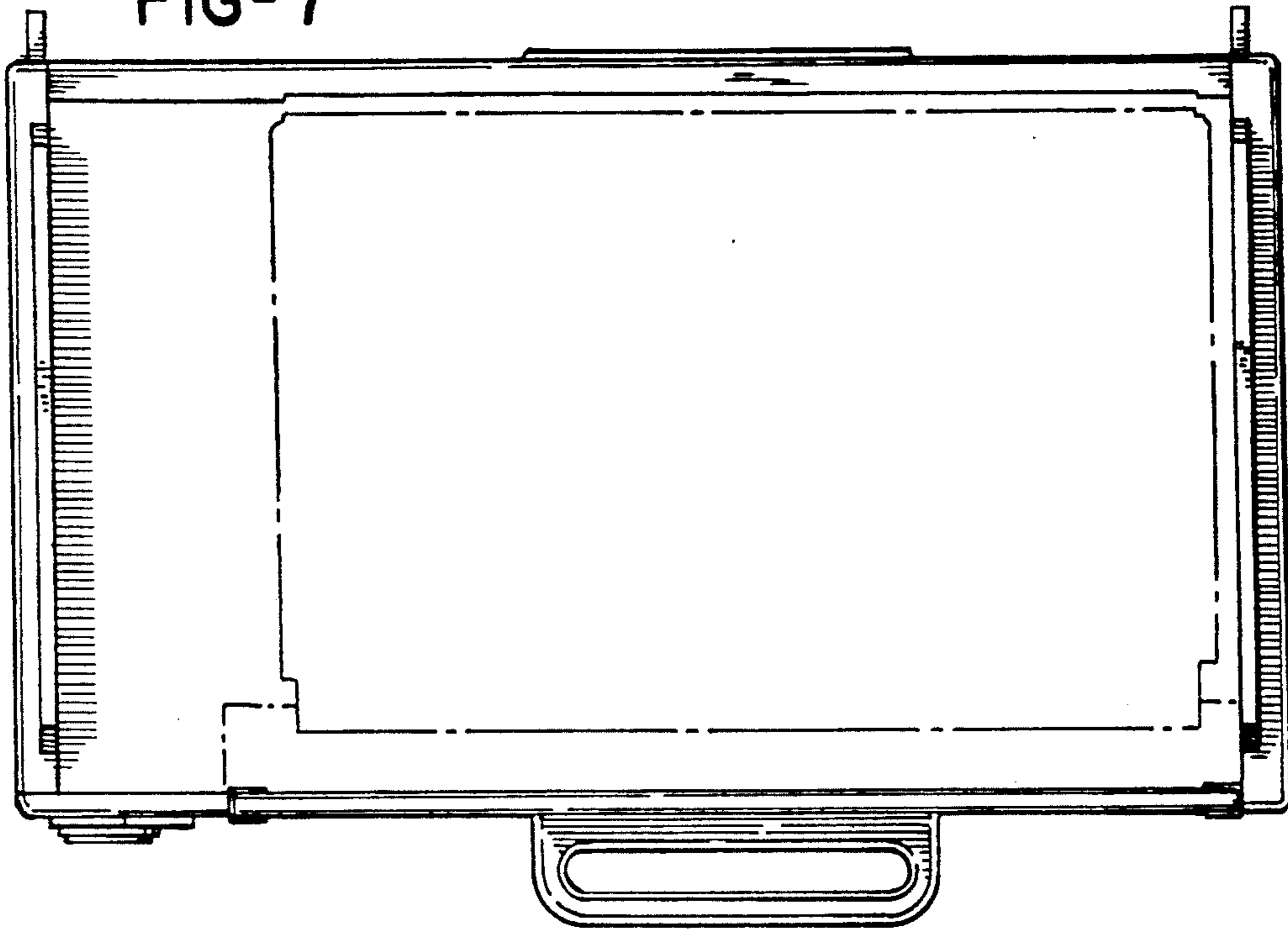


FIG-8

