



US00D336806S

# United States Patent [19]

[11] Patent Number: Des. 336,806

Zoellner

[45] Date of Patent: \*\* Jun. 29, 1993

## [54] MODULAR FILE ASSEMBLY

[75] Inventor: Clemens E. Zoellner, Midland, Mich.

[73] Assignee: United Technologies Automotive, Inc., Dearborn, Mich.

[\*\*] Term: 14 Years

[21] Appl. No.: 738,283

[22] Filed: Jul. 30, 1991

[52] U.S. Cl. .... D6/510; D19/90

[58] Field of Search ..... D6/509-511; D19/90; 312/183, 184, 334.22, 334.28

## [56] References Cited

### U.S. PATENT DOCUMENTS

D. 224,492	8/1972	Inhelder .....	D6/446
D. 278,664	5/1985	Ferdinand et al. ....	D6/510
D. 327,091	6/1992	Ancona et al. ....	D19/90 X
4,288,130	9/1981	Baldwin .....	312/183

## OTHER PUBLICATIONS

"MOD-U-LINE II FILE DRAWER SYSTEM", Alma Plastics Company, 1983.

Primary Examiner—Alan P. Douglas  
Assistant Examiner—J. E. Seeger  
Attorney, Agent, or Firm—Dinnin & Dunn

## [57] CLAIM

The ornamental design for a modular file assembly, as shown and described.

## DESCRIPTION

FIG. 1 is a perspective view of a modular file assembly, showing my new design, the broken lines are for environmental purposes only and form no part of the claimed design;

FIG. 2 is a front elevational view thereof;

FIG. 3 is a right side elevational view thereof;

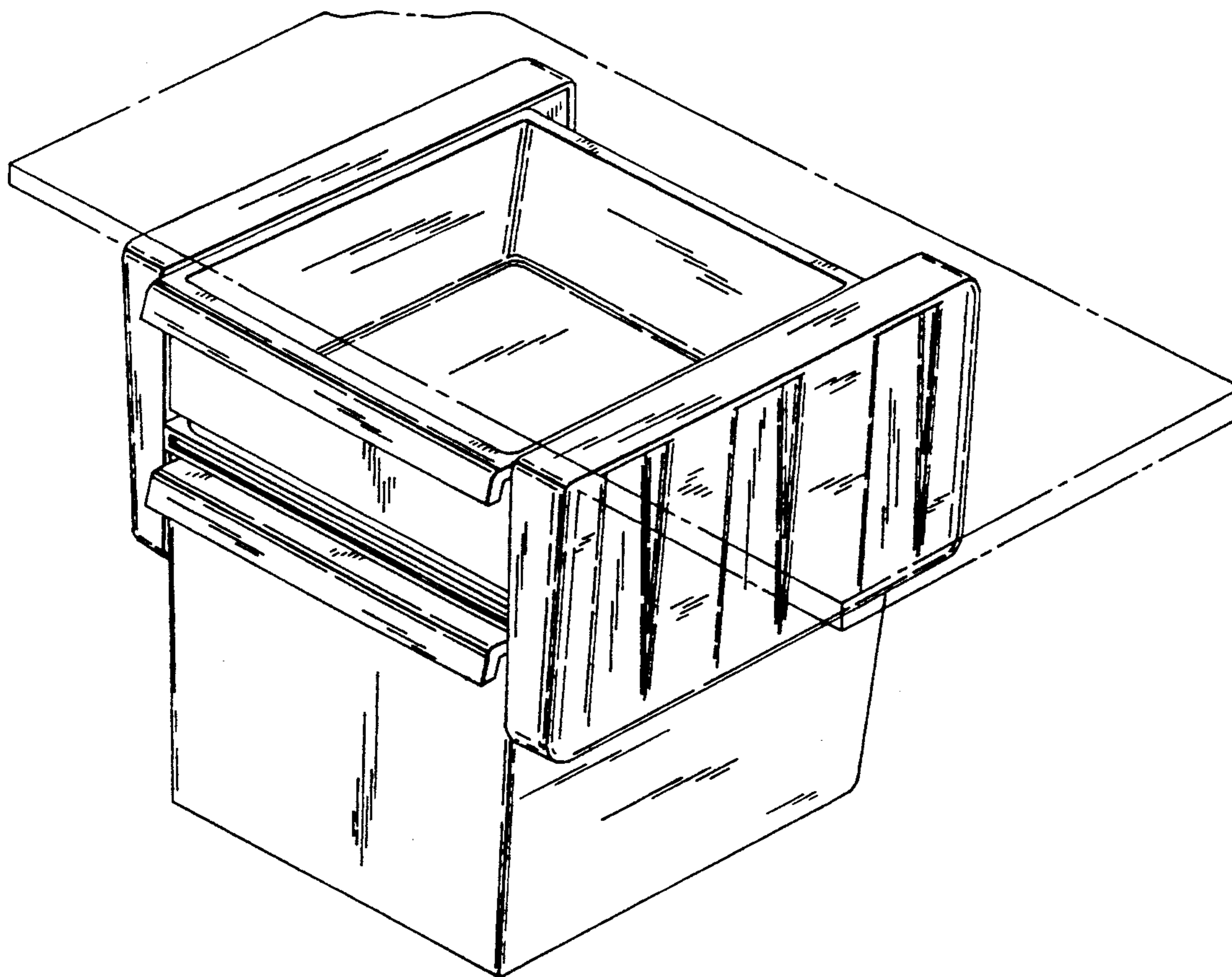
FIG. 4 is a top plan view thereof;

FIG. 5 is a rear elevational view thereof;

FIG. 6 is a sectional view taken along line 6—6 of FIG. 3;

FIG. 7 is a sectional view taking along line 7—7 of FIG. 3; and,

FIG. 8 is a sectional view taken along line 8—of FIG. 3.



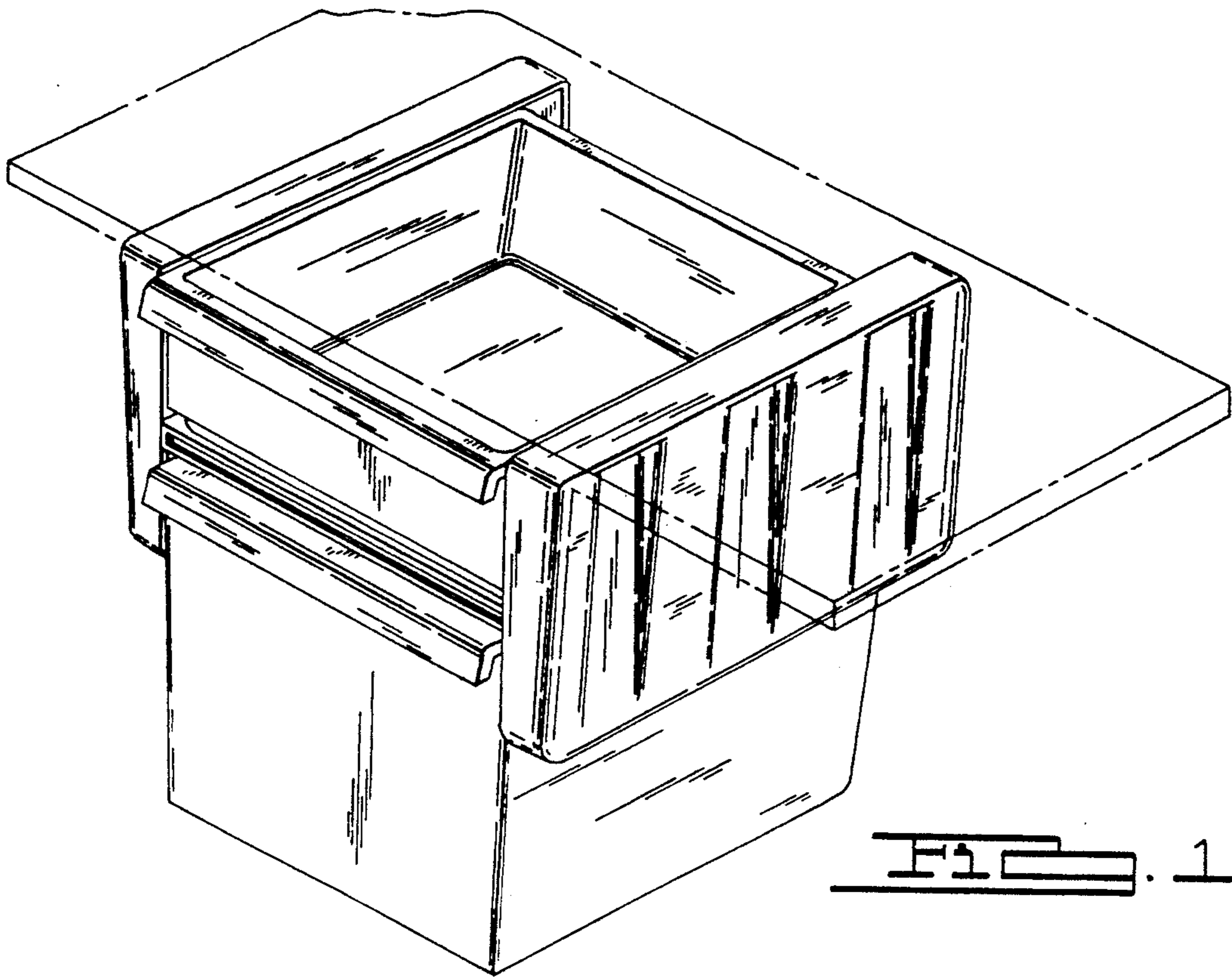


FIG. 1.

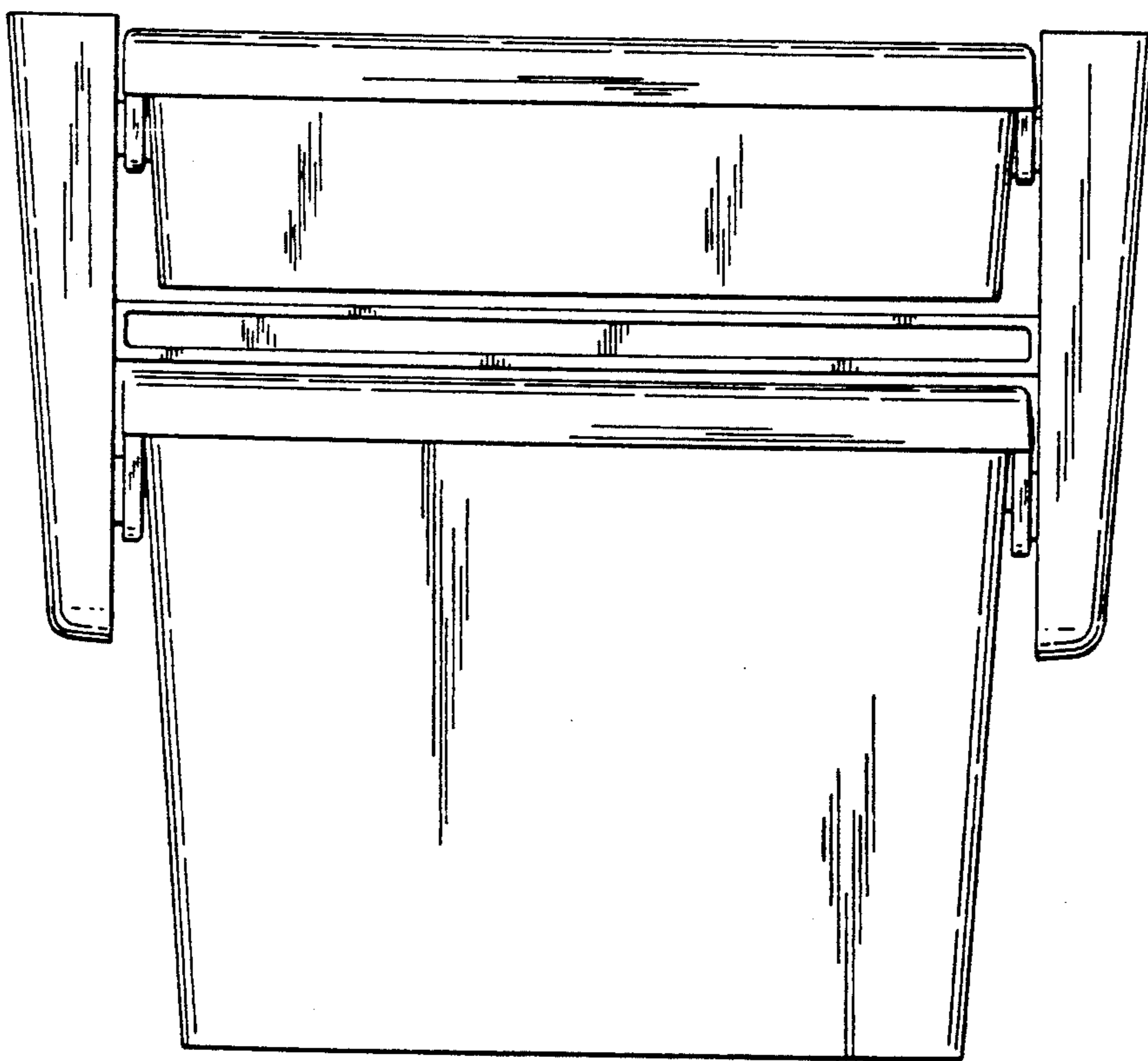


FIG. 2.

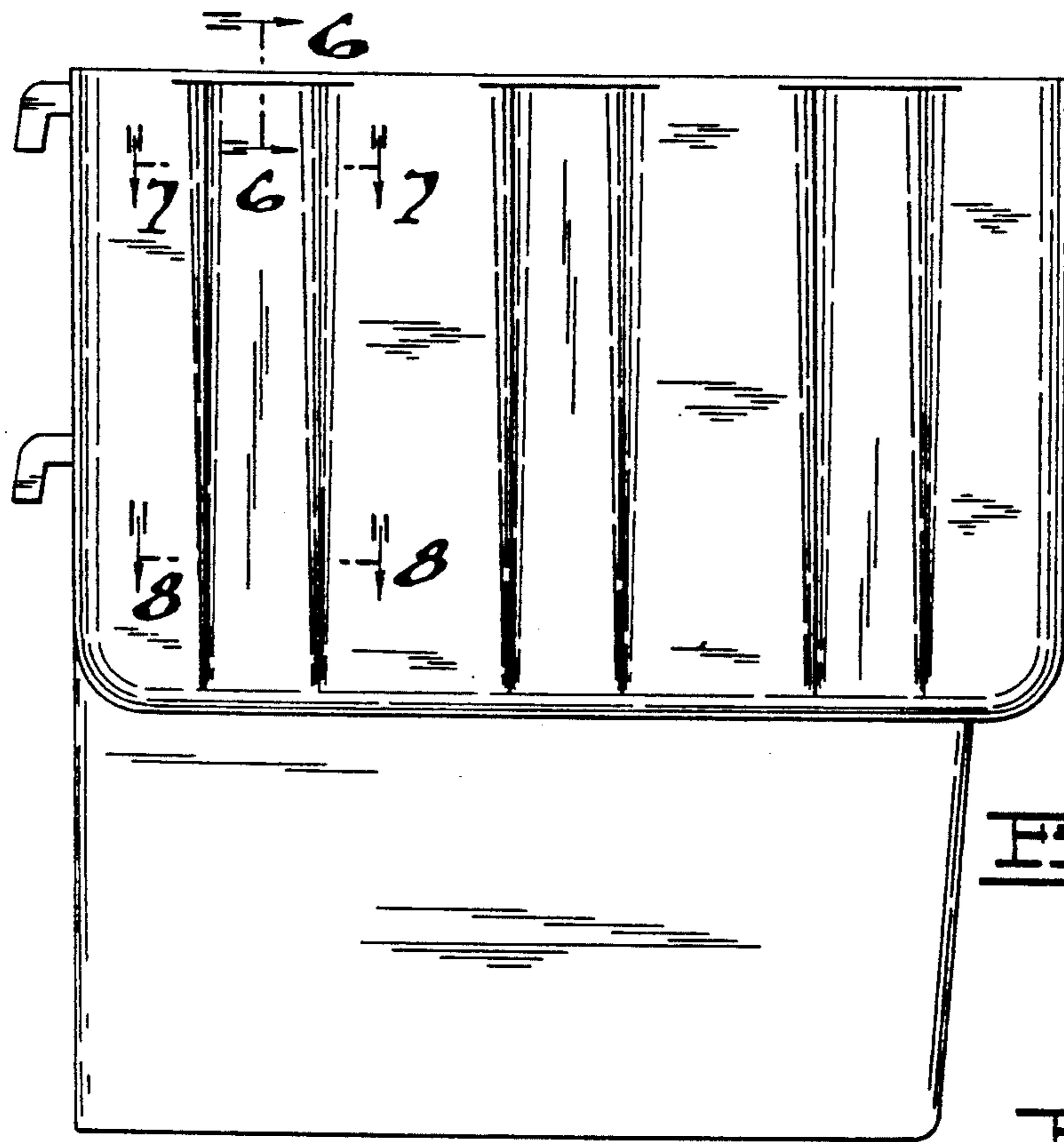
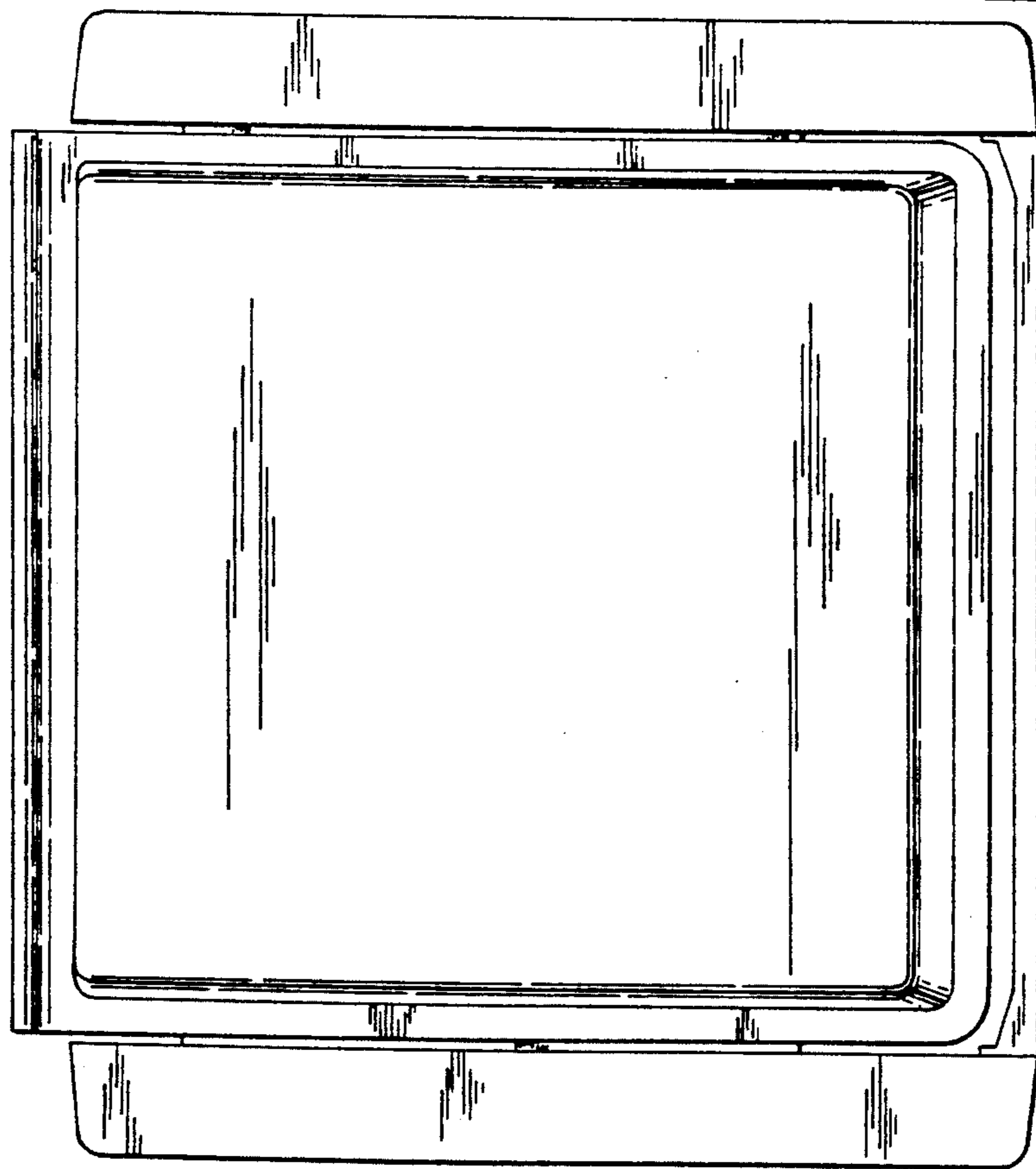


FIG. 3.

FIG. 4.



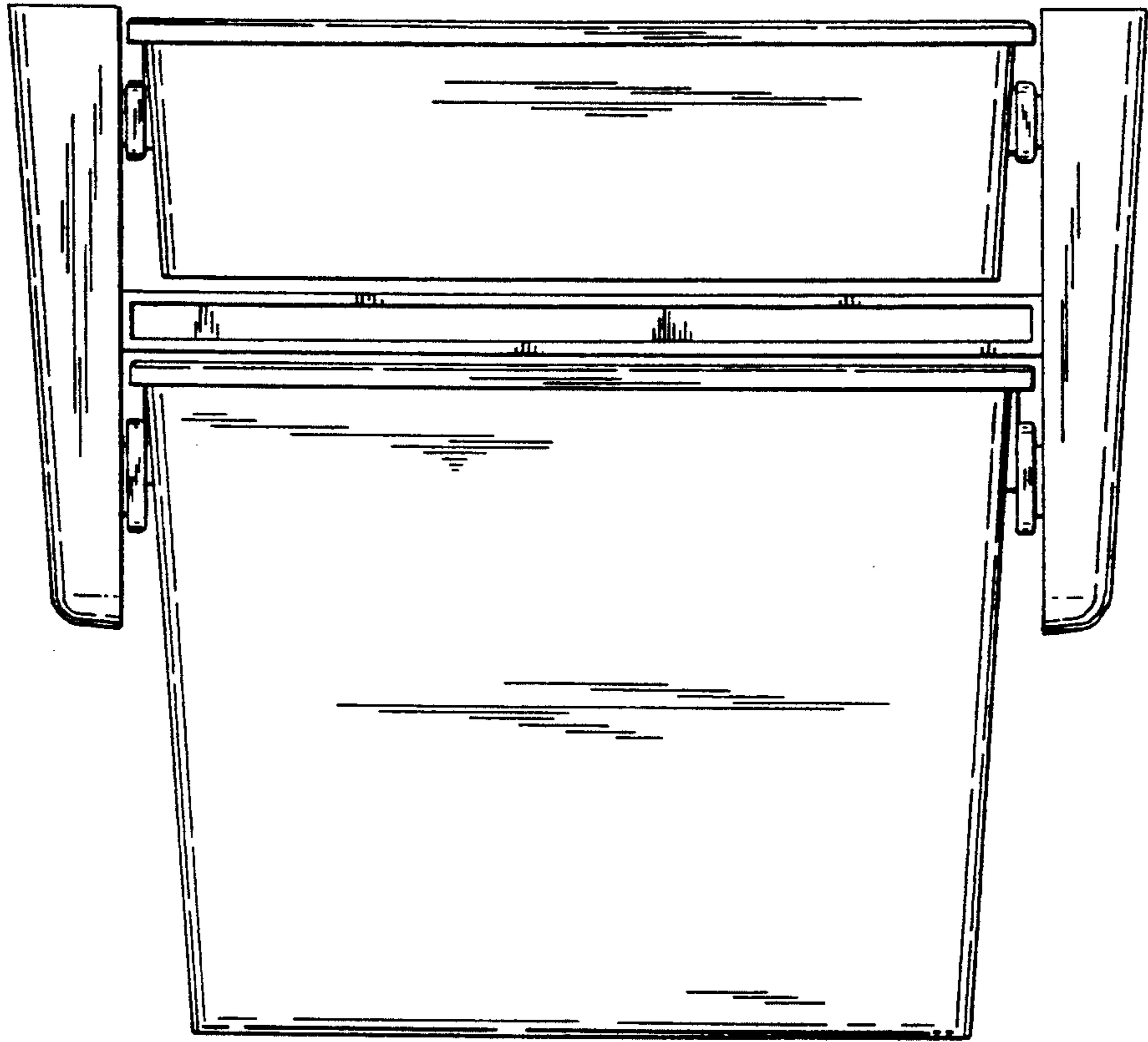


FIG. 5.

FIG. 7.

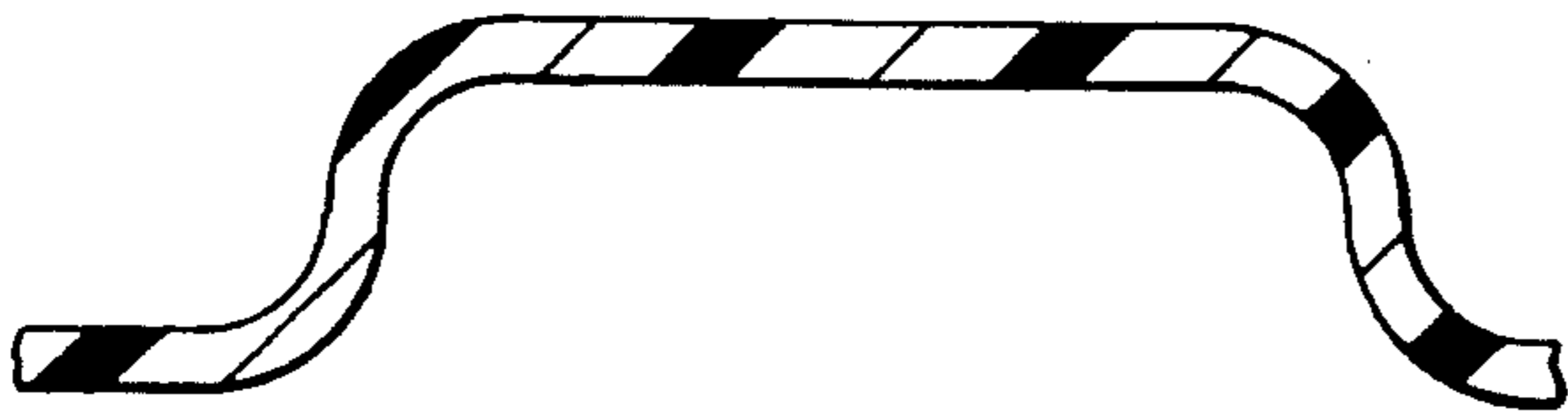


FIG. 8.

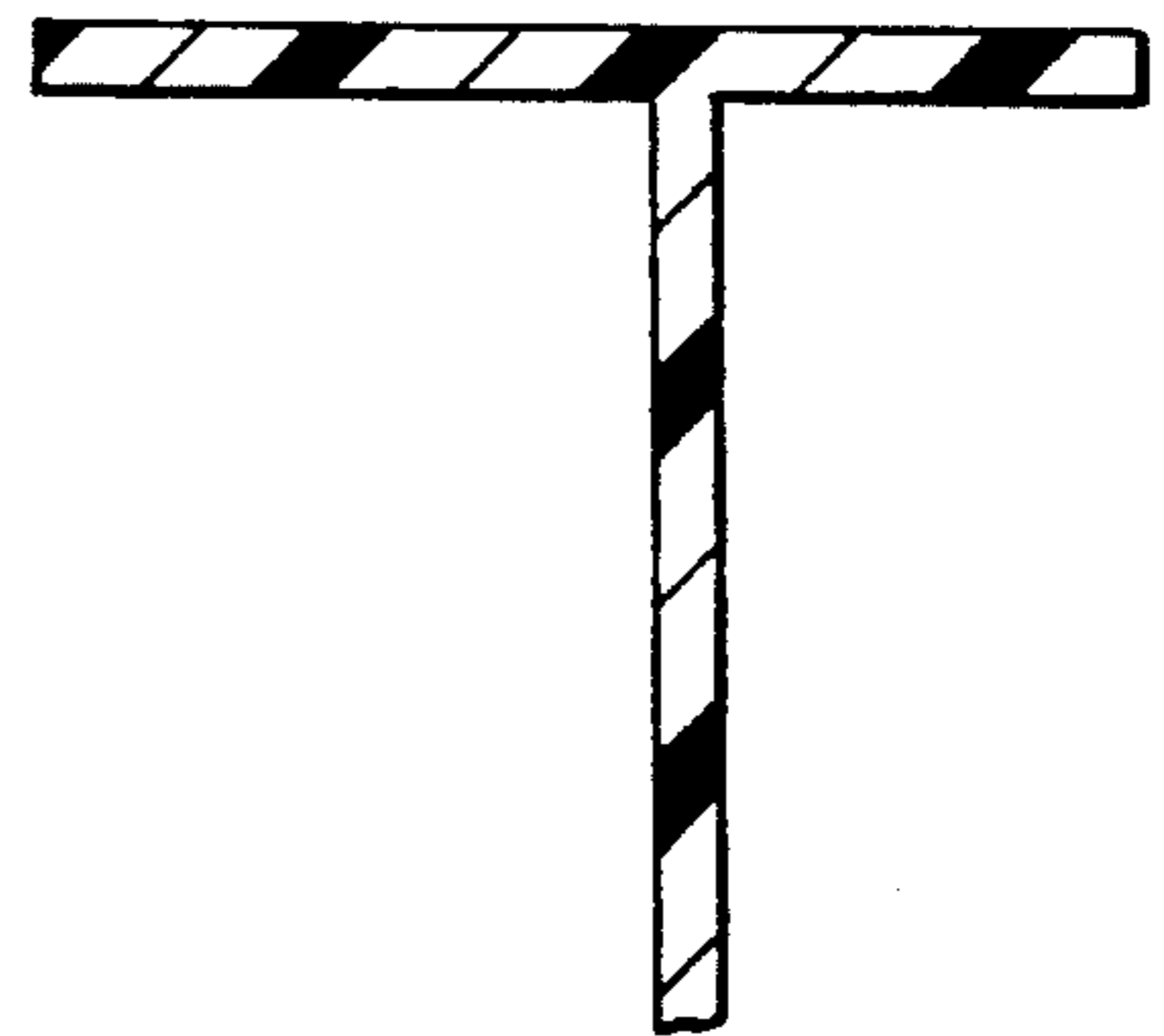


FIG. 6.