



US00D336800S

United States Patent [19]

[11] Patent Number: Des. 336,800

Tobias

[45] Date of Patent: ** Jun. 29, 1993

[54] CADDY FOR REMOTE CONTROLLERS

[76] Inventor: Ben Tobias, 1538 N. Martel Ave., #411, Los Angeles, Calif. 90046

[**] Term: 14 Years

[21] Appl. No.: 690,130

[22] Filed: Apr. 23, 1991

[52] U.S. Cl. D6/457

[58] Field of Search D6/416, 449, 455, 407, D6/457-461, 466-468, 475, 476; D20/10, 21; D19/85; 211/70.6, 163.13; 248/128, 130

| | | | |
|------------|---------|------------------------|------------|
| D. 263,528 | 3/1982 | Gunnigle | D6/457 |
| D. 263,780 | 4/1982 | Hildebrand et al. | D6/457 |
| 3,489,289 | 1/1970 | Scott-Fenton | 211/70.6 X |
| 3,997,050 | 12/1976 | Patterson | 211/13 X |
| 4,953,696 | 9/1990 | Huang et al. | 211/163 X |

Primary Examiner—Alan P. Douglas
Assistant Examiner—Jeffrey Asch
Attorney, Agent, or Firm—Roger A. Marrs

[57] CLAIM

The ornamental design for caddy for remote controllers, as shown and described.

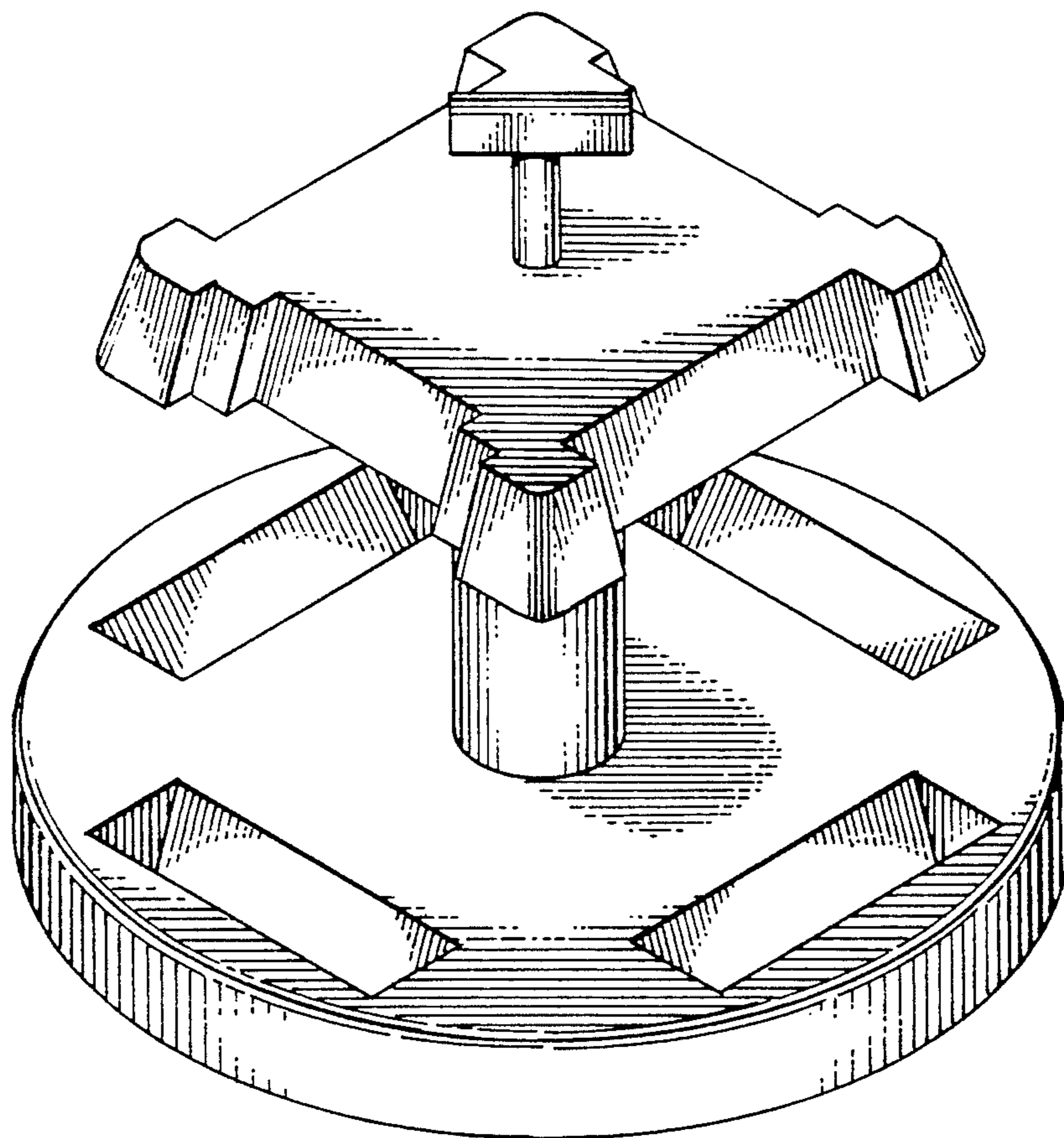
DESCRIPTION

FIG. 1 is a front elevational view of a caddy for remote controllers showing my new design;
FIG. 2 is a top plan view thereof;
FIG. 3 is a side elevational view thereof with the opposite side being a minor image and the bottom being unadorned; and,
FIG. 4 is a front perspective view thereof.

[56] References Cited

U.S. PATENT DOCUMENTS

| | | | |
|------------|---------|--------------------|----------|
| D. 166,887 | 5/1952 | Spanel | D6/468 X |
| D. 199,834 | 12/1964 | Smith | D20/21 X |
| D. 230,229 | 2/1974 | Dolgoff | D6/407 X |
| D. 240,384 | 7/1976 | Rumble et al. | D6/407 X |
| D. 243,646 | 3/1977 | Nolan | D6/457 |



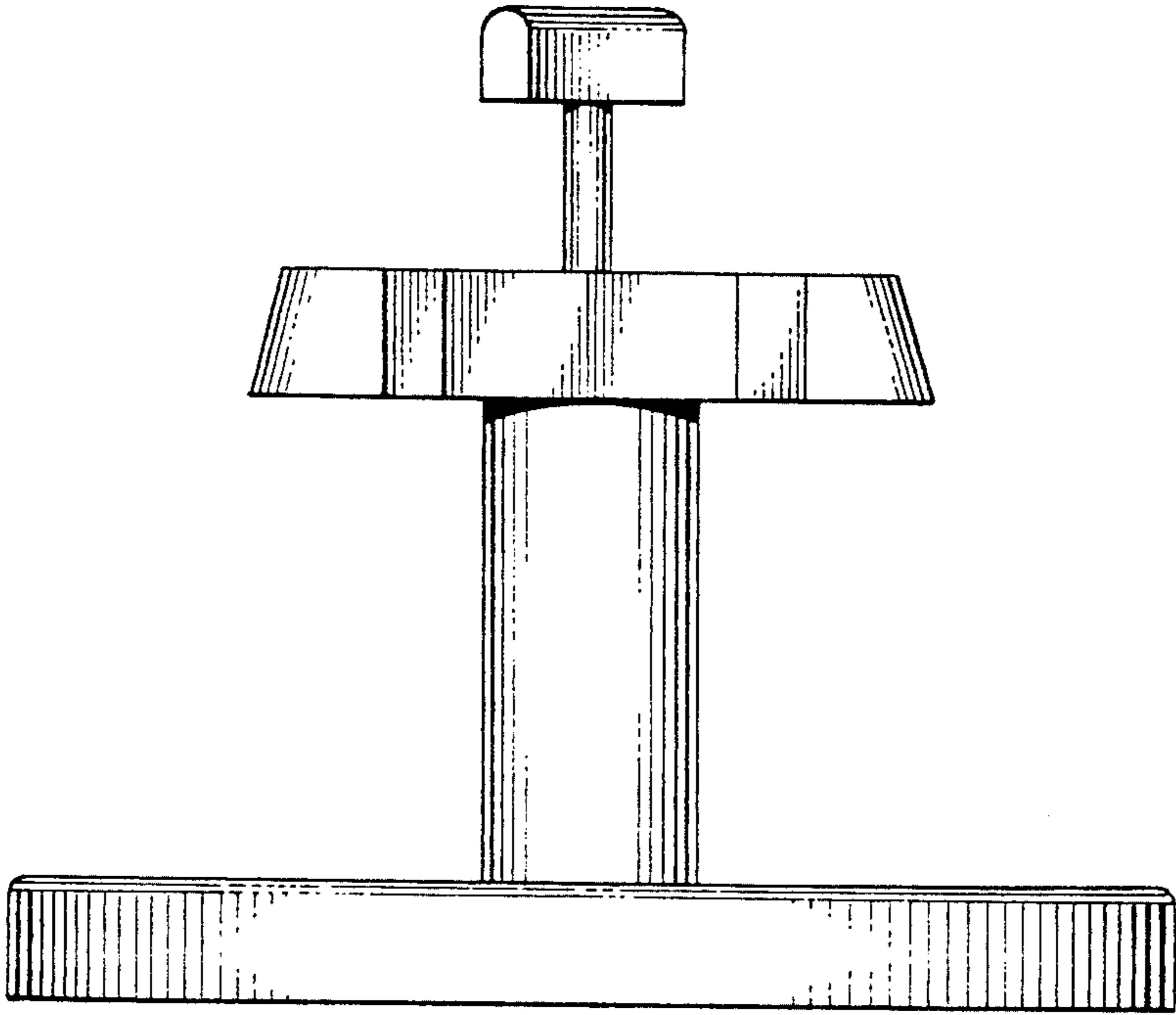


FIG. 1.

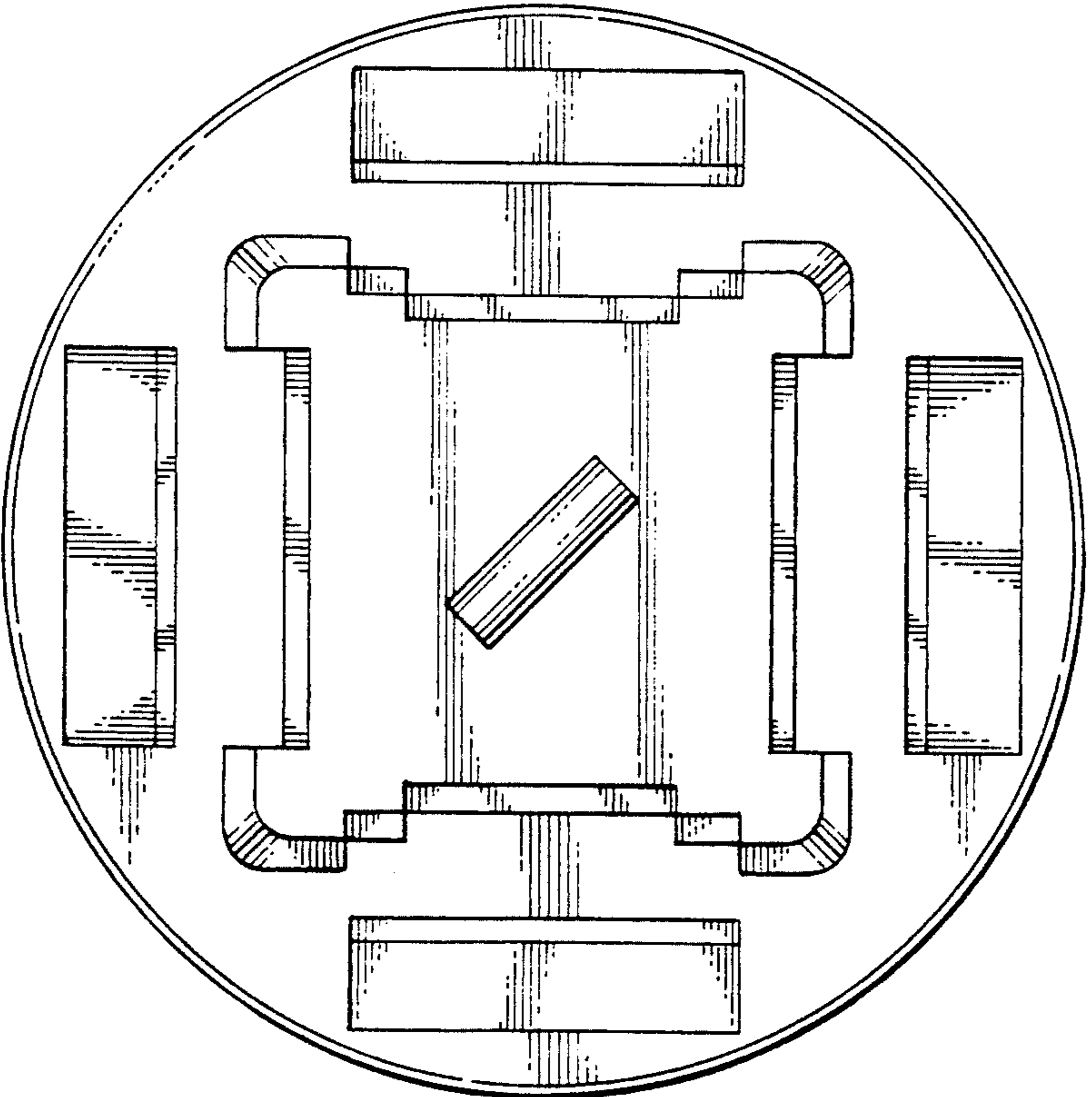


FIG. 2.

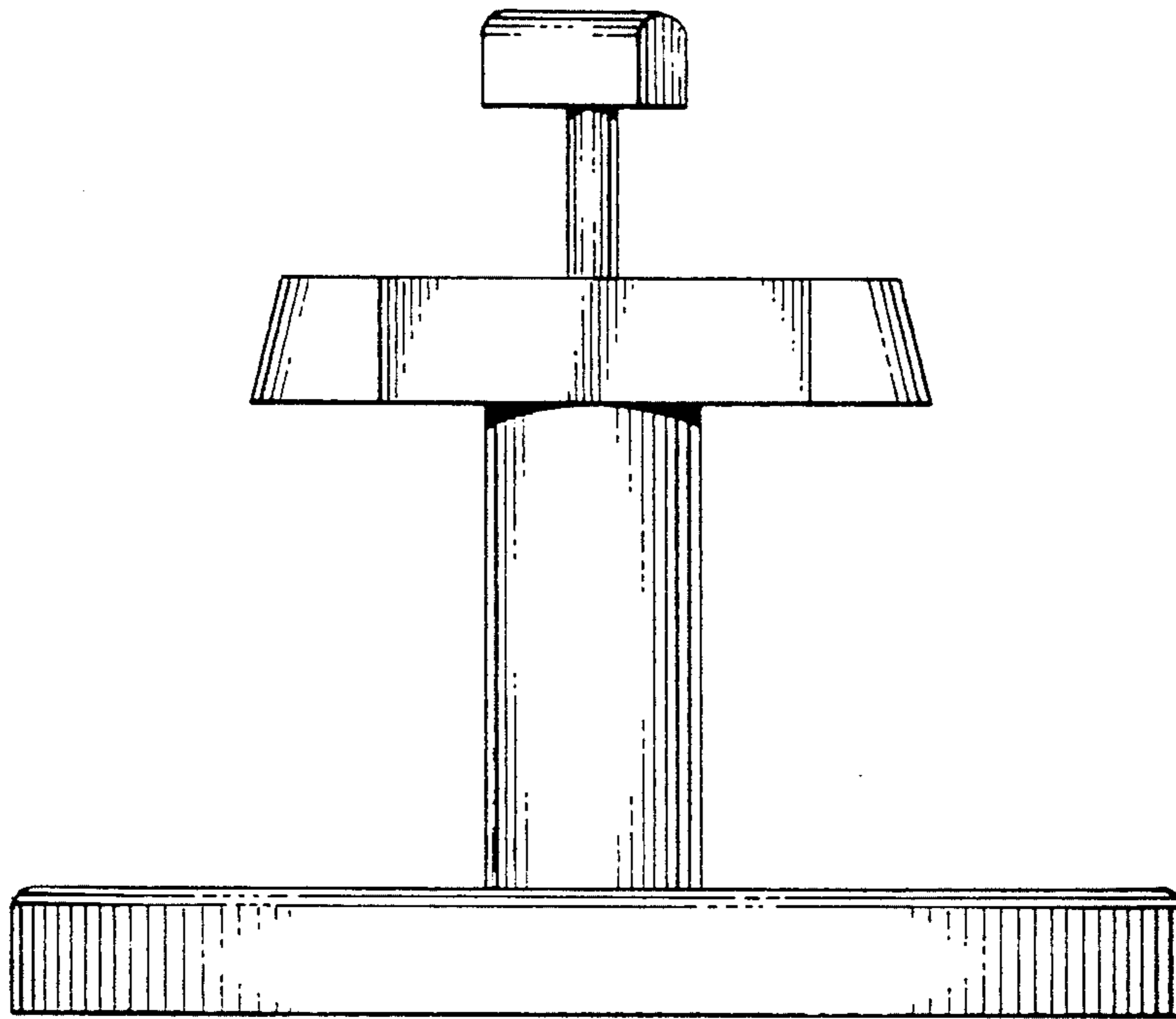


FIG. 3.

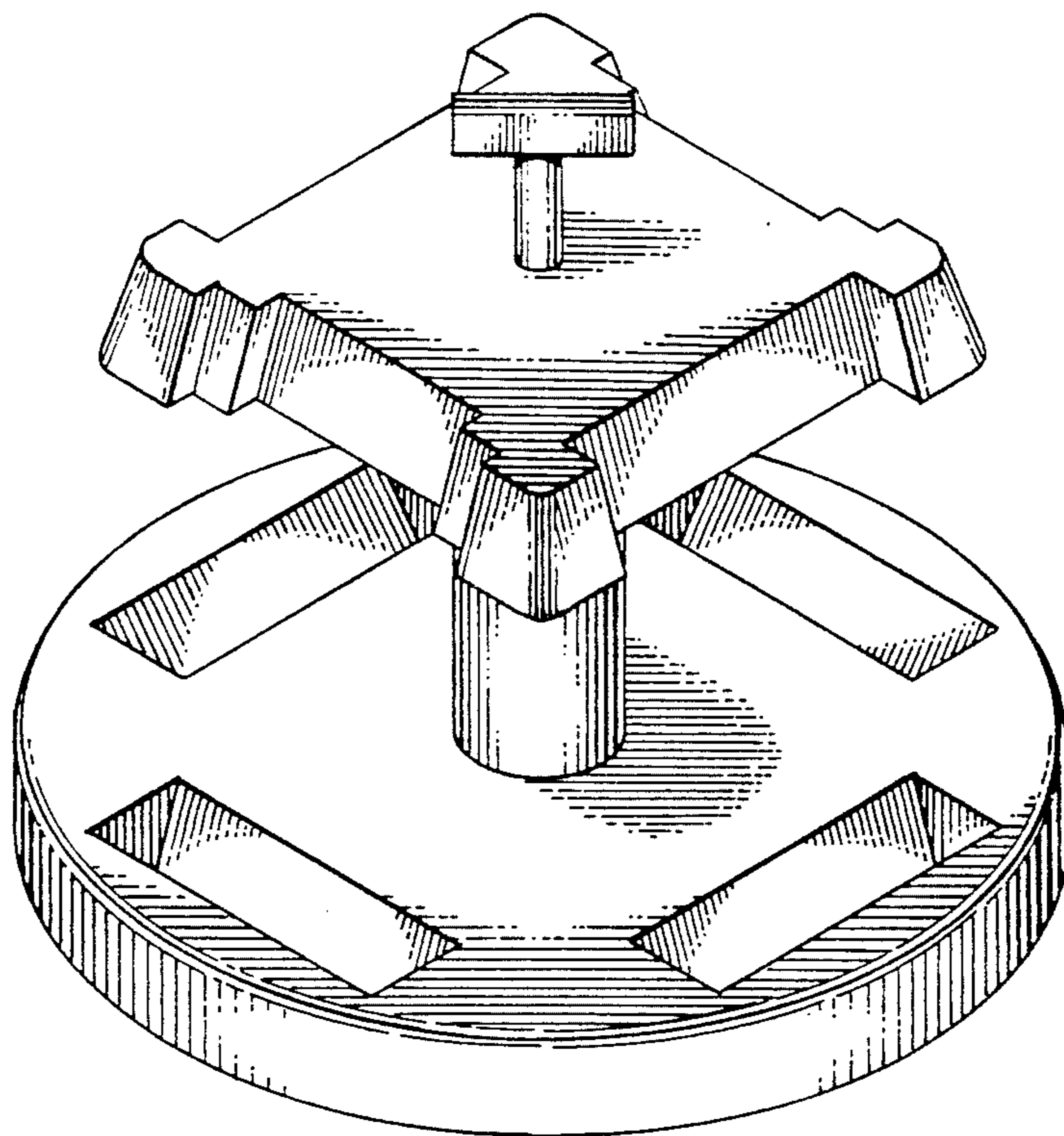


FIG. 4.