



US00D336795S

# United States Patent [19]

[11] Patent Number: **Des. 336,795**

Rowe et al.

[45] Date of Patent: **\*\* Jun. 29, 1993**

[54] CHAIR

[56] References Cited

### U.S. PATENT DOCUMENTS

D. 279,244 6/1985 Bergquist ..... D6/376

### OTHER PUBLICATIONS

Identikit Chair Book by Abitare, May 1985, pp. 32-33, chair shown at right (on p. 33).

*Primary Examiner*—Alan P. Douglas  
*Assistant Examiner*—Gary D. Watson  
*Attorney, Agent, or Firm*—Caesar, Rivise, Bernstein, Cohen & Pokotilow, Ltd.

[76] Inventors: **David E. Rowe; Richard J. Snell**, both of Birmingham Institute of Art & Design, Birmingham Polytechnic, Corporation Street, Birmingham B4 7DX, England

[\*\*] Term: **14 Years**

[57] CLAIM

The ornamental design for a chair, as shown and described.

[21] Appl. No.: **672,722**

[22] Filed: **Mar. 19, 1991**

### DESCRIPTION

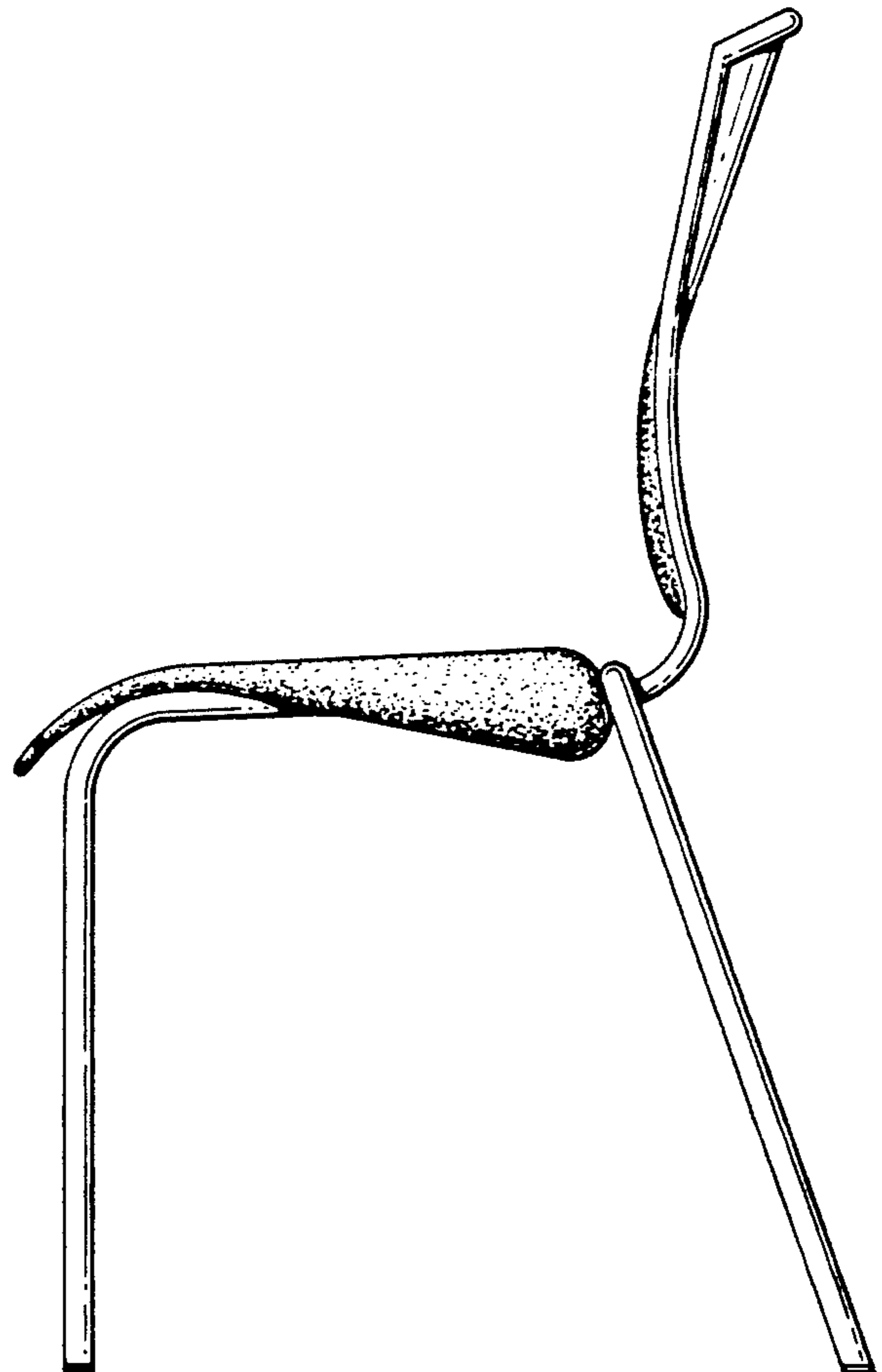
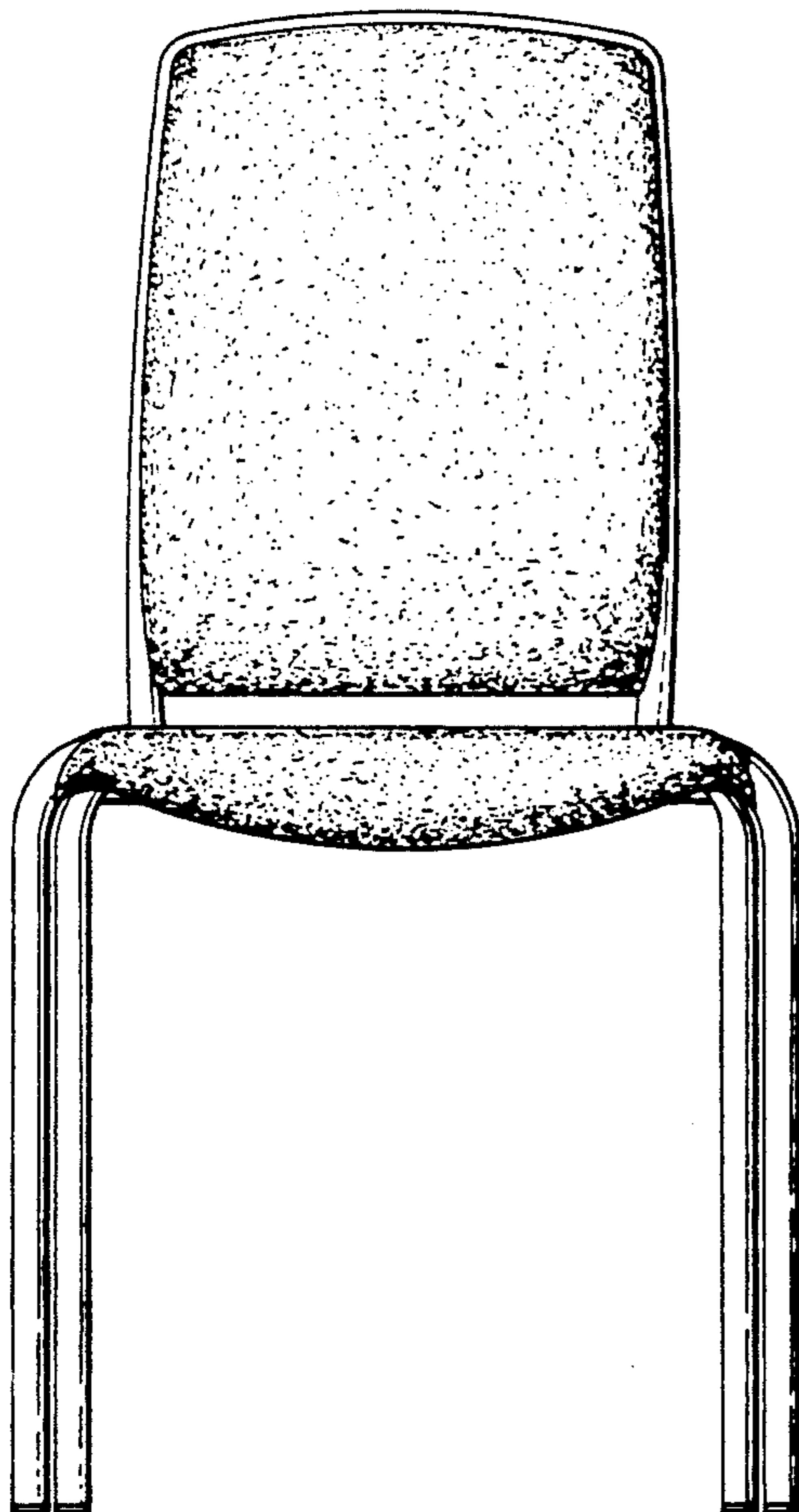
### [30] Foreign Application Priority Data

Sep. 20, 1990 [GB] United Kingdom ..... 2009754

[52] U.S. Cl. .... **D6/380; D6/334**

[58] Field of Search ..... **D6/334, 374, 375, 376, D6/380, 500, 501, 502; 297/239, 447**

FIG. 1 is a front elevational view showing an embodiment of the chair design;  
FIG. 2 is a rear elevational view thereof;  
FIG. 3 is a side elevational view thereof;  
FIG. 4 is a plan view thereof; and,  
FIG. 5 is an underside view thereof.



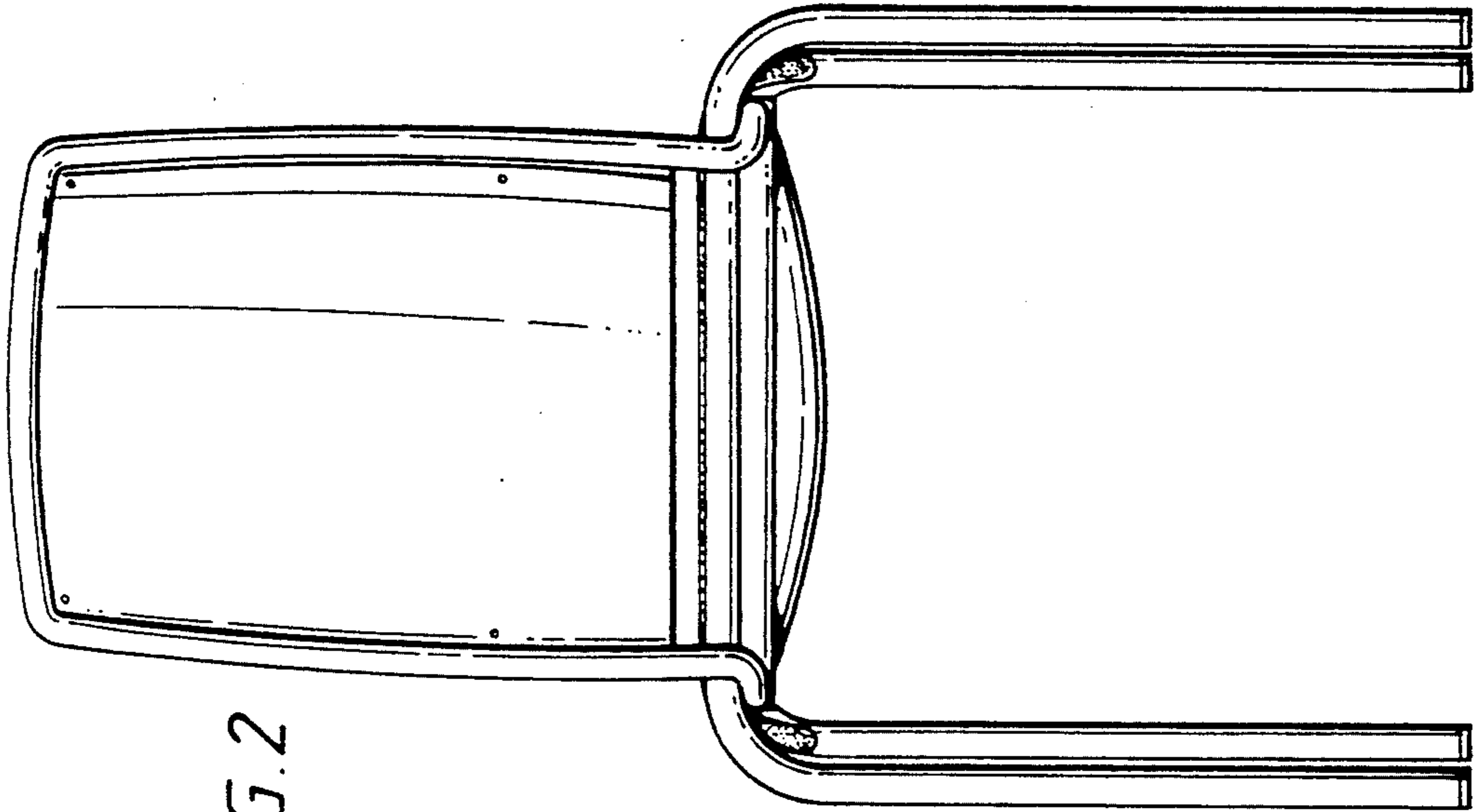


FIG. 1 FIG. 2

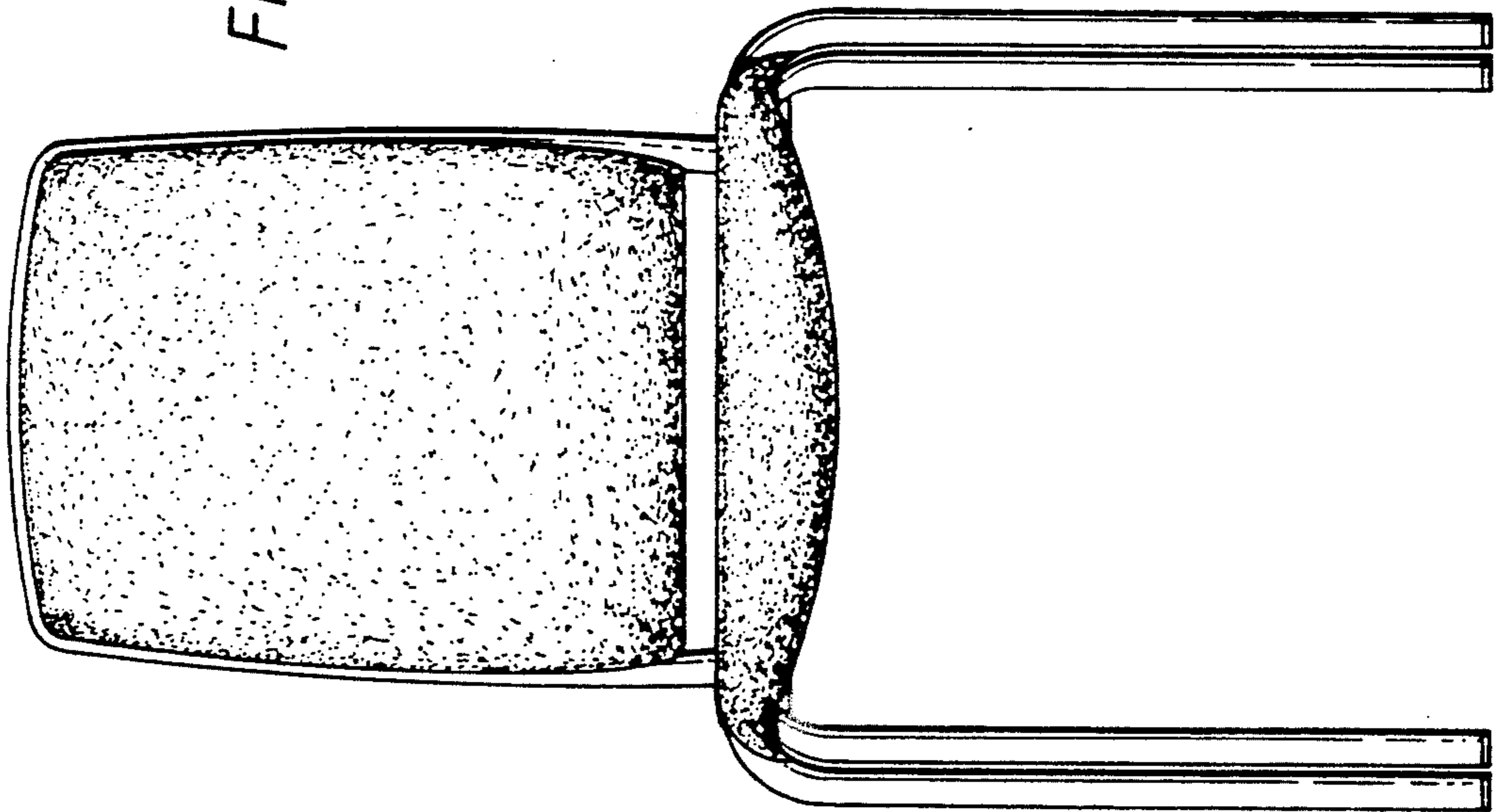


FIG. 4

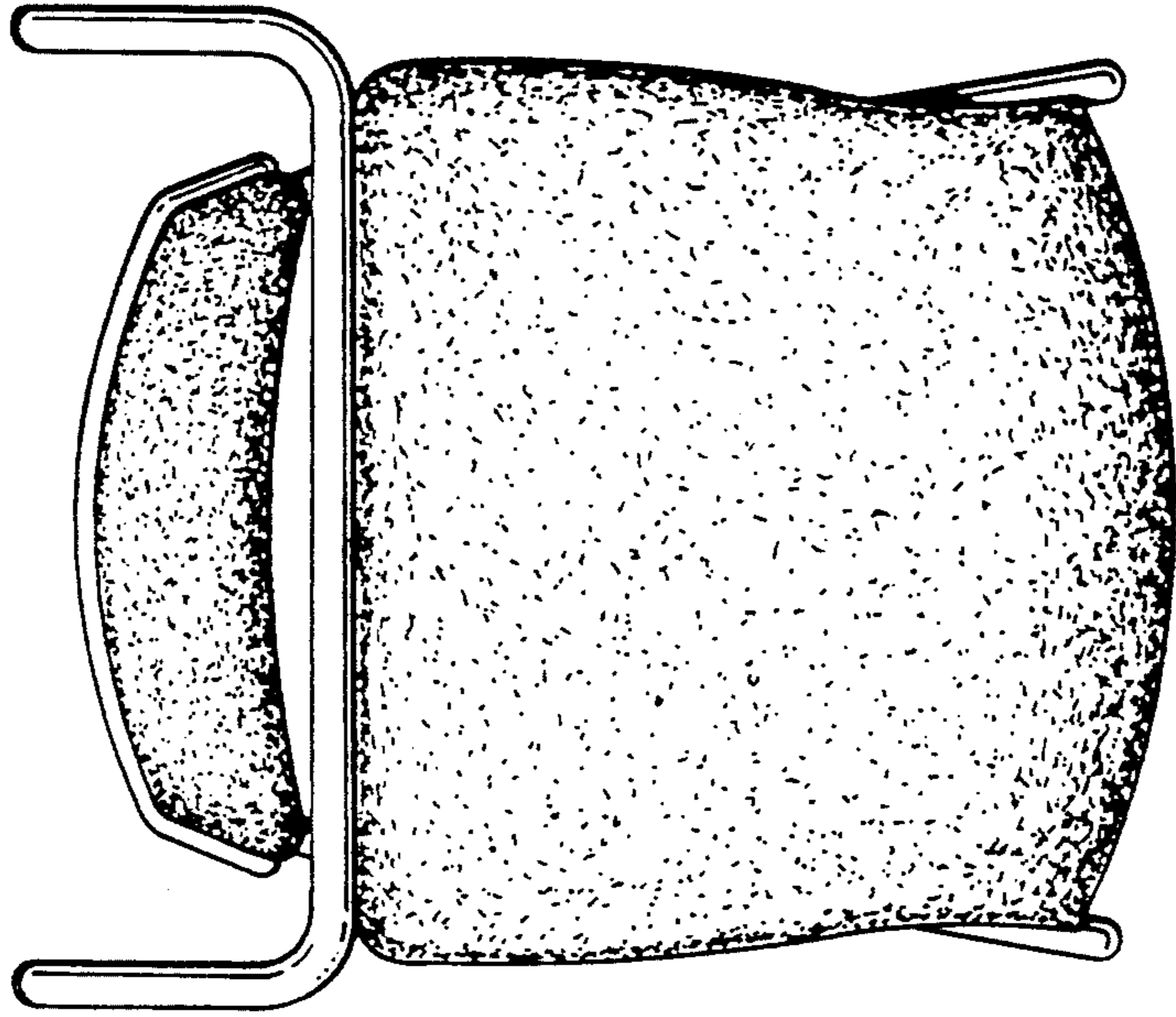


FIG. 3

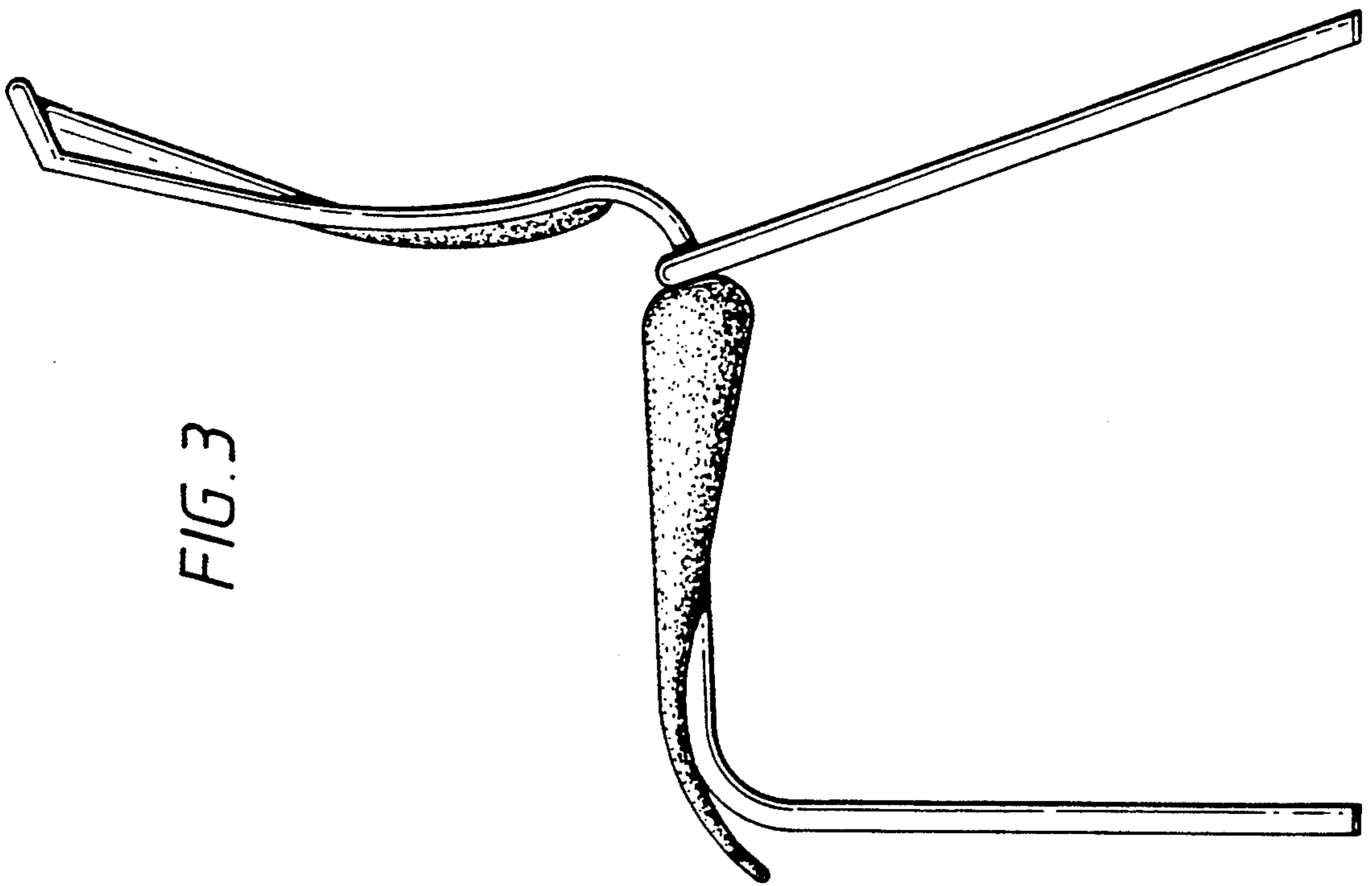


FIG. 5

