



US00D336791S

**United States Patent** [19]  
**Stidd**

[11] **Patent Number: Des. 336,791**

[45] **Date of Patent: \*\* Jun. 29, 1993**

[54] **HELM CHAIR**

[76] **Inventor: Robert Stidd, 188 Frowein Rd., East Moriches, N.Y. 11940**

[\*\*] **Term: 14 Years**

[21] **Appl. No.: 706,744**

[22] **Filed: May 29, 1991**

[52] **U.S. Cl. .... D6/360; D6/356; D6/364; D6/367; D12/318**

[58] **Field of Search ..... D6/334, 335, 356, 360, D6/364, 365, 367, 368, 379, 380, 500, 501, 502; D12/318; 297/349, 417, 437**

[56] **References Cited**

**U.S. PATENT DOCUMENTS**

D. 78,016	3/1929	Goble .....	D6/360
D. 242,508	11/1976	Skyer et al. ....	D6/380 X
D. 251,778	5/1979	Trabue, Jr. ....	D12/318
D. 264,774	6/1982	McGirk et al. ....	D6/367 X
D. 280,470	9/1985	Higgins .....	D6/356
D. 283,089	3/1986	McArdle .....	D6/356 X
D. 315,255	3/1991	Beerman .....	D6/356
3,886,611	6/1975	Lammy et al. ....	297/417 X

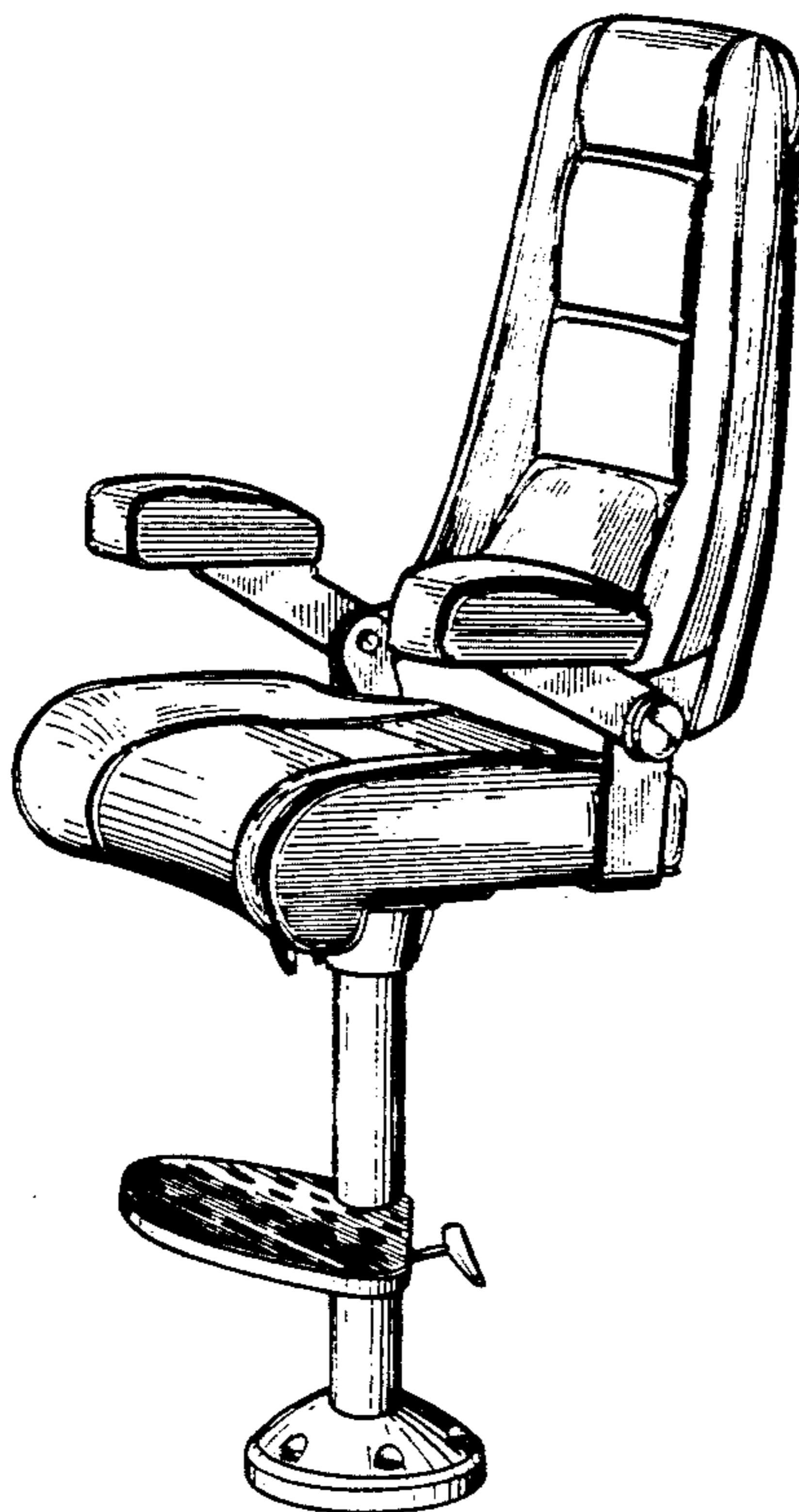
*Primary Examiner*—Alan P. Douglas  
*Assistant Examiner*—Gary D. Watson  
*Attorney, Agent, or Firm*—Alfred M. Walker

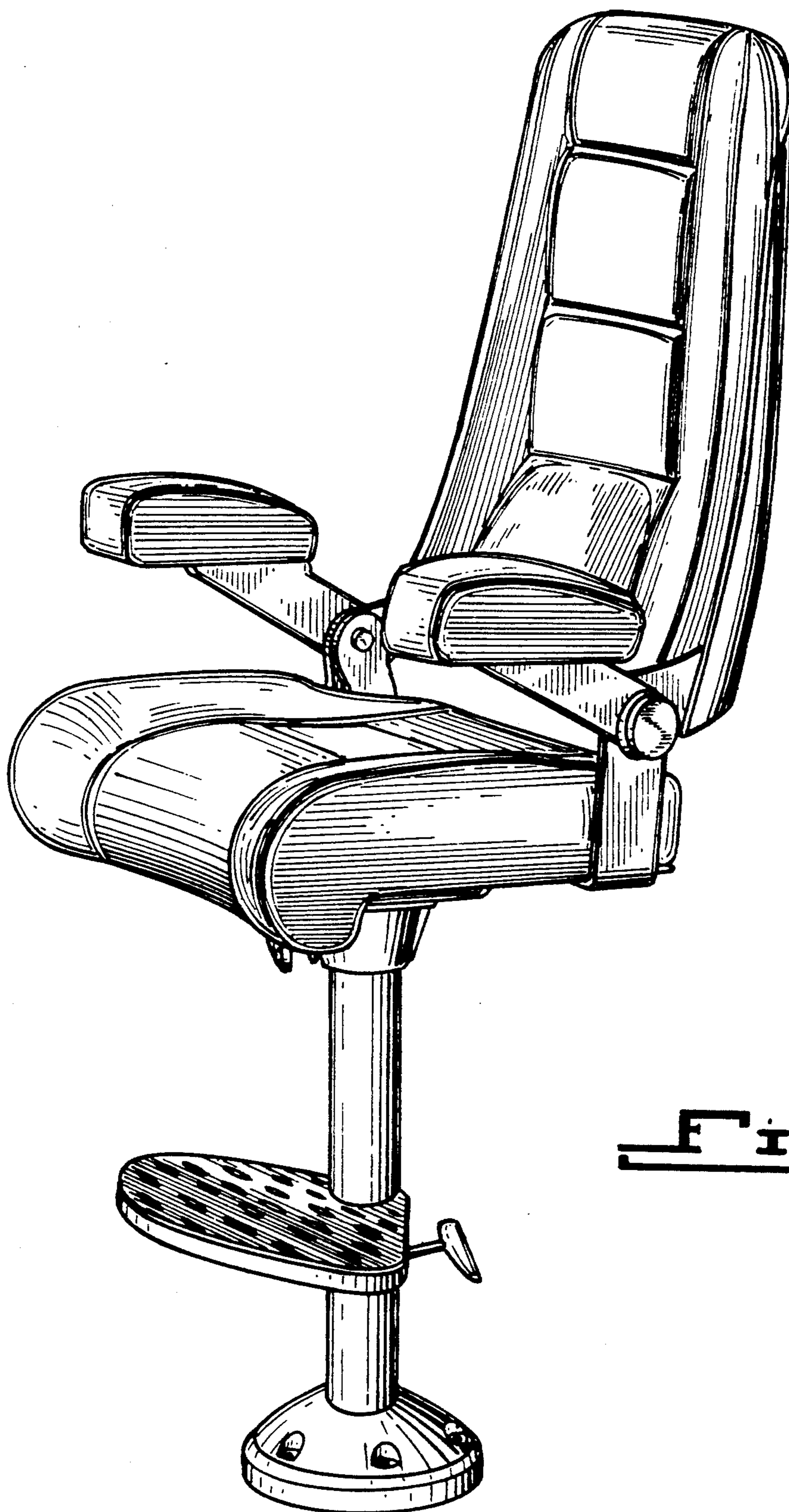
[57] **CLAIM**

The ornamental design for a helm chair, as shown and described.

**DESCRIPTION**

FIG. 1 is a perspective view of my ornamental design for a helm chair;  
FIG. 2 is a front elevational view of the design as shown in FIG. 1;  
FIG. 3 is a rear view of the design as shown in FIG. 1;  
FIG. 4 is a left side elevational view of the design as shown in FIG. 1;  
FIG. 5 is a right side elevational view of the design as shown in FIG. 1;  
FIG. 6 is a top plan view of the design as shown in FIG. 1;  
FIG. 7 is a bottom view of the design as shown in FIG. 1;  
FIG. 8 is a perspective view of another embodiment of my ornamental design for a helm chair;  
FIG. 9 is a front elevational view of the design as shown in FIG. 8;  
FIG. 10 is a rear elevational view of the design as shown in FIG. 8;  
FIG. 11 is a left side elevational view of the design as shown in FIG. 8;  
FIG. 12 is a right side elevational view of the design as shown in FIG. 8;  
FIG. 13 is a top plan view of the design as shown in FIG. 8; and,  
FIG. 14 is a bottom view of the design as shown in FIG. 8.





**Fig. 1**

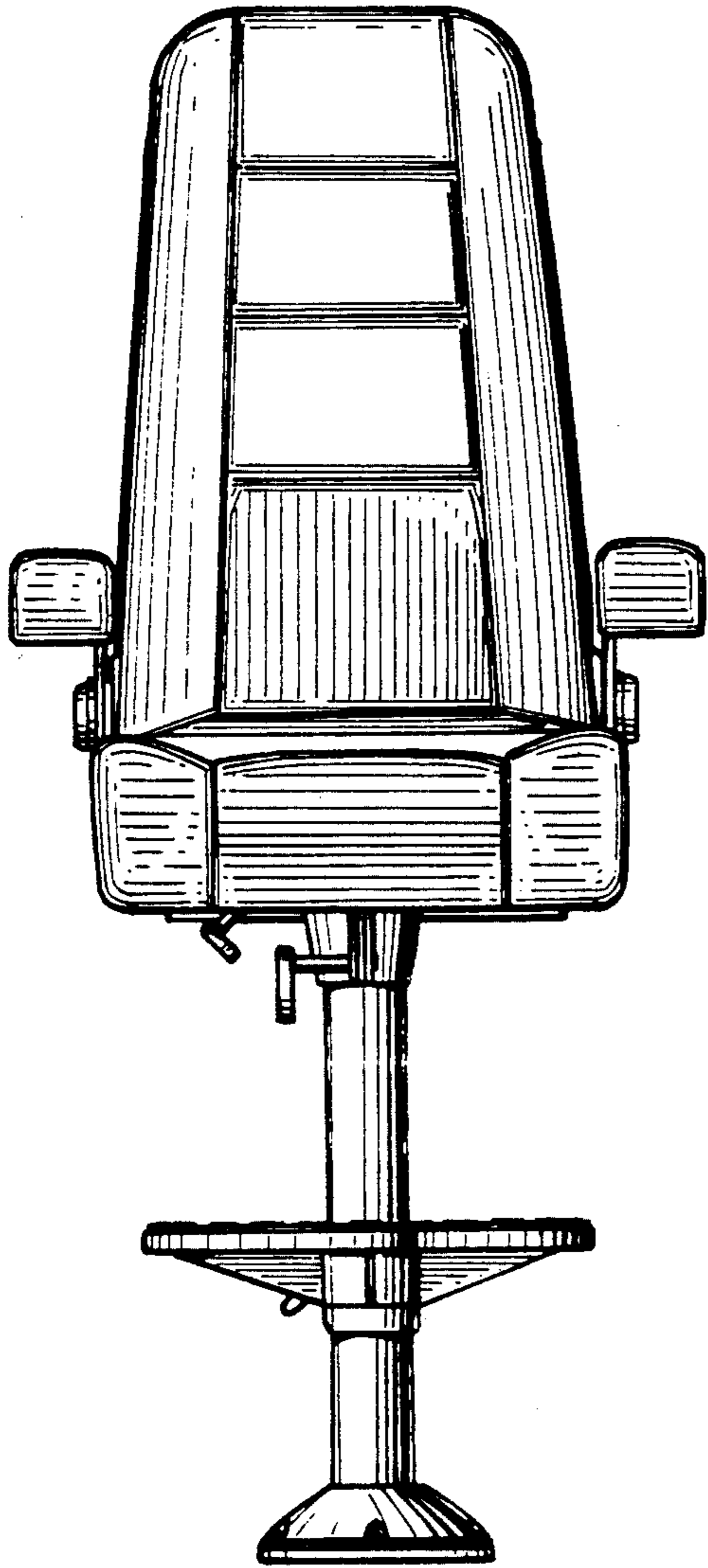


Fig. 2

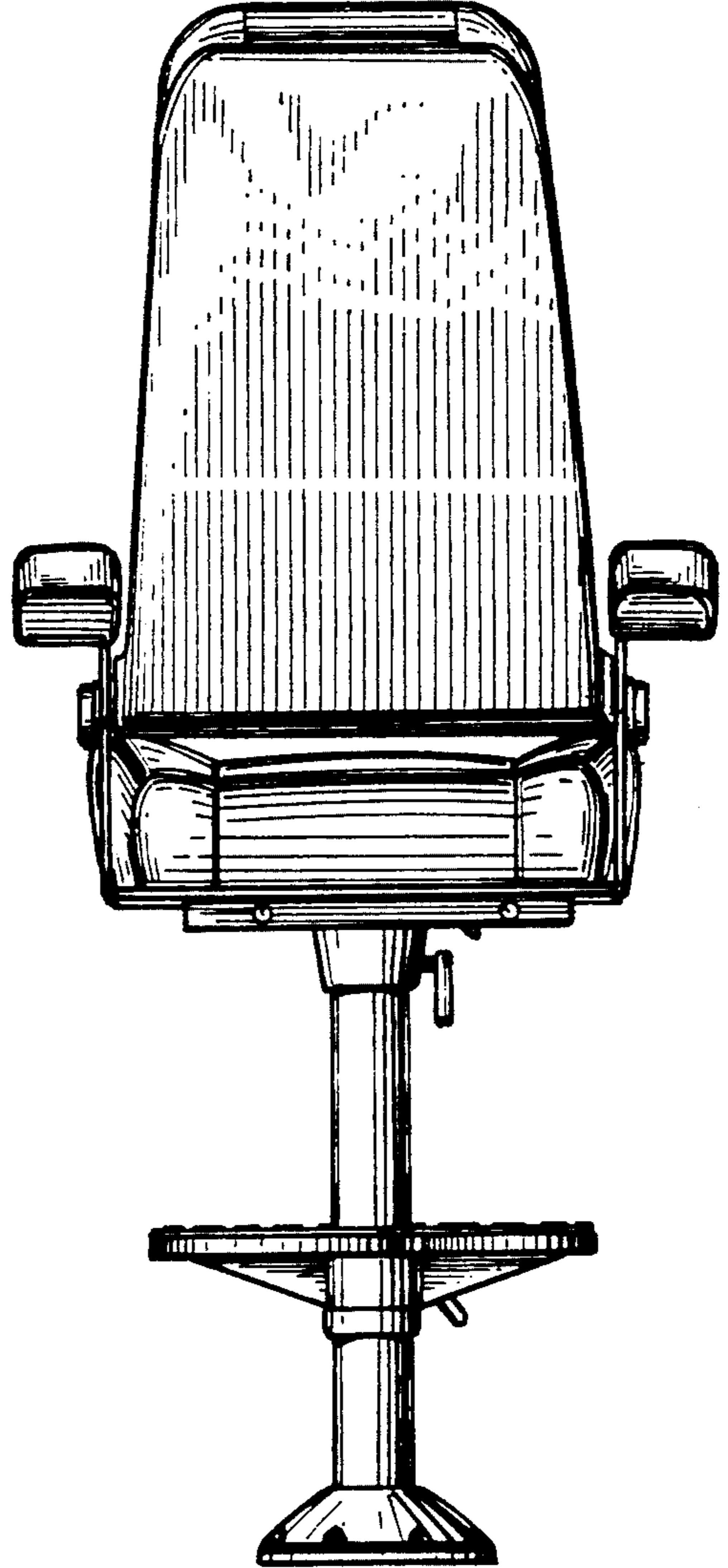


Fig. 3

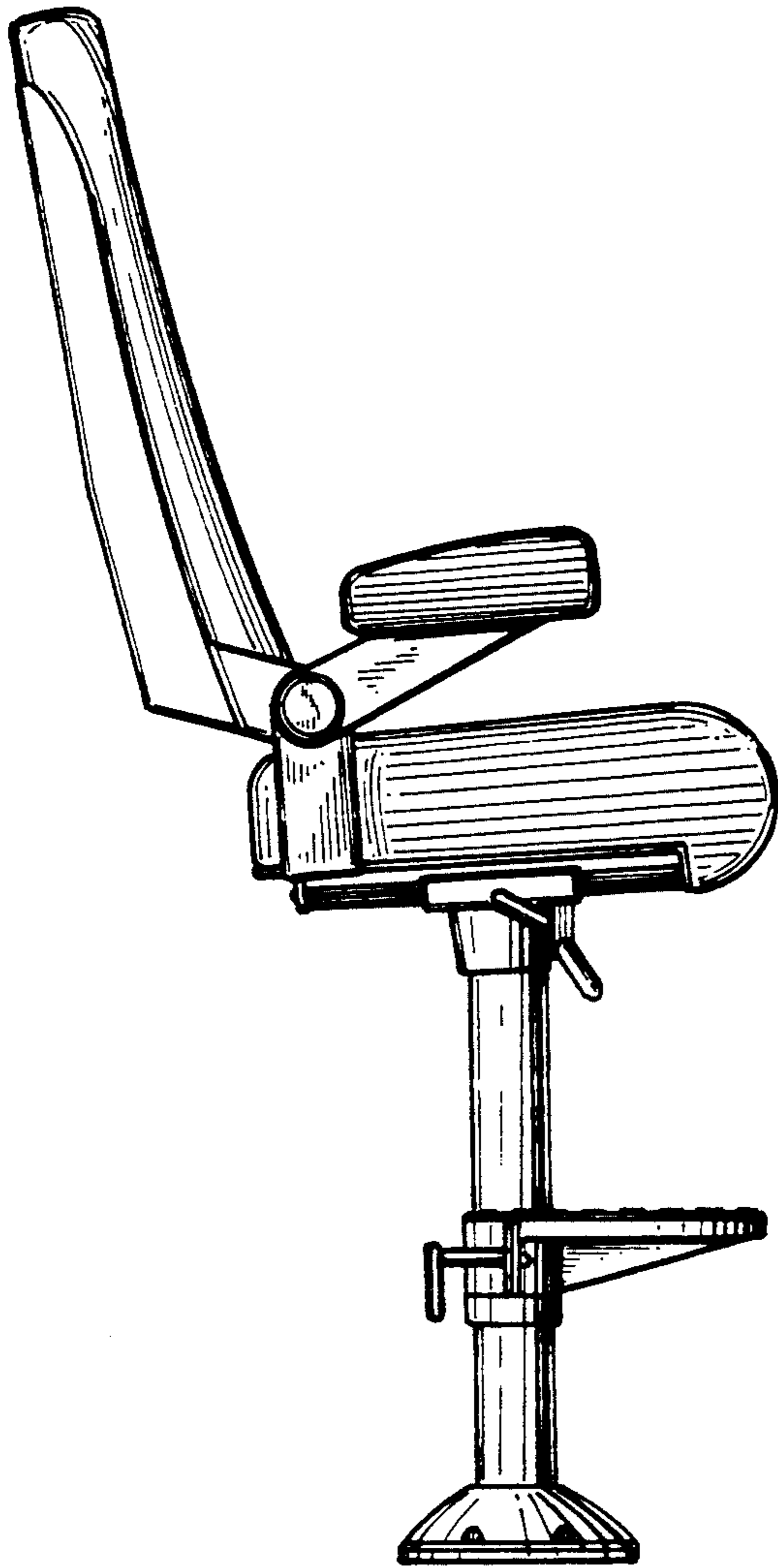


Fig. 4

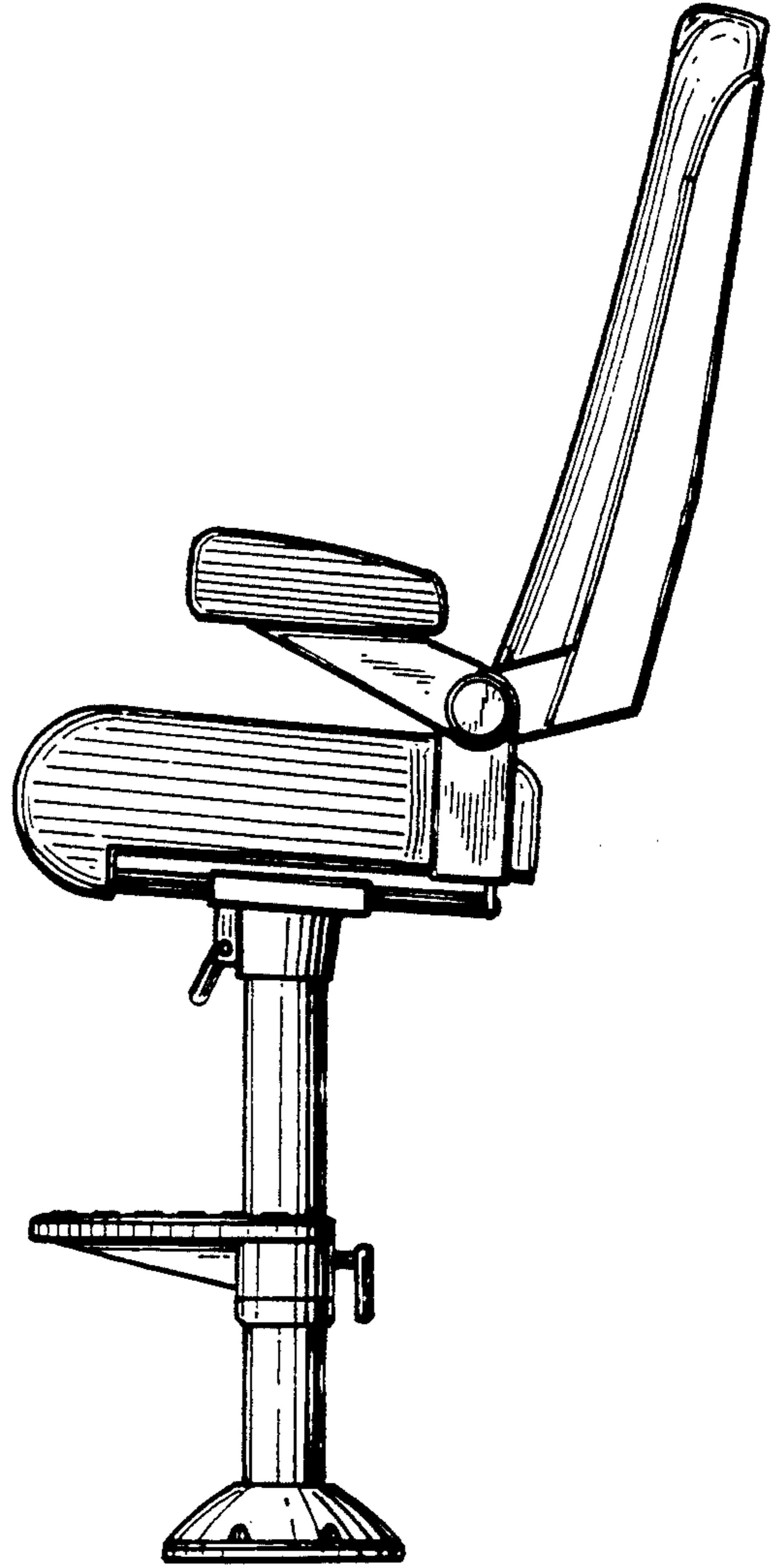


Fig. 5

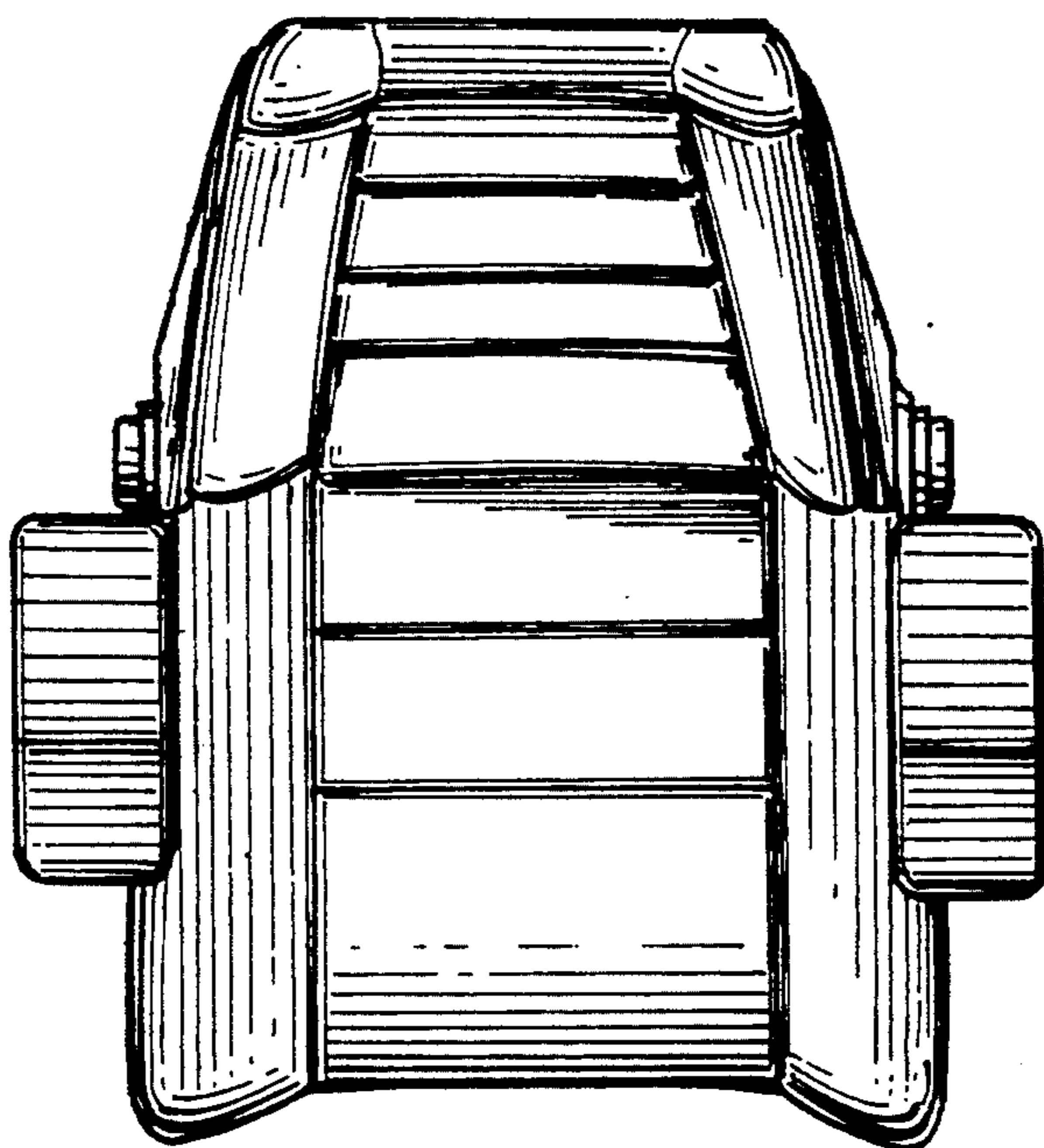


Fig. 6

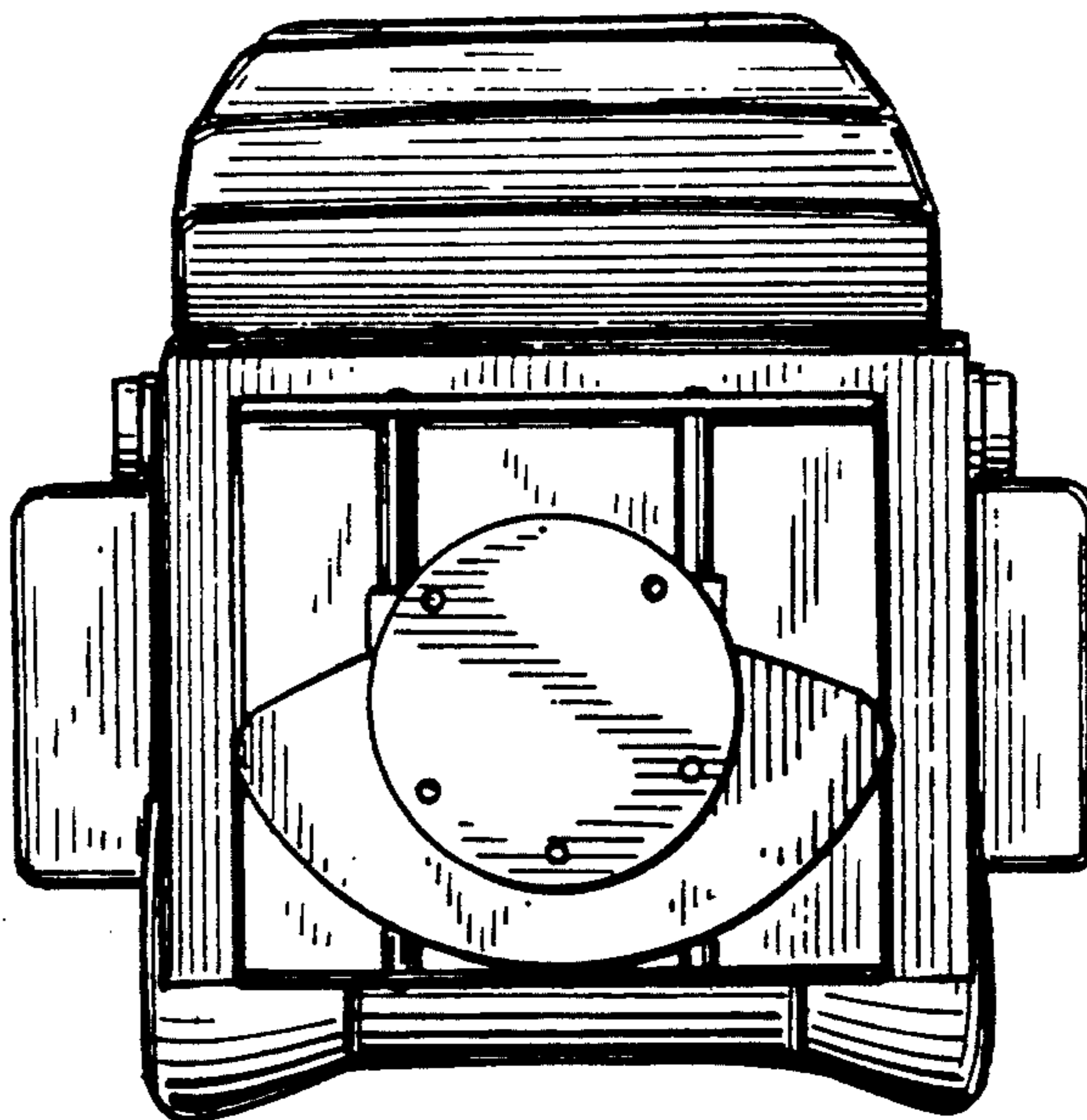
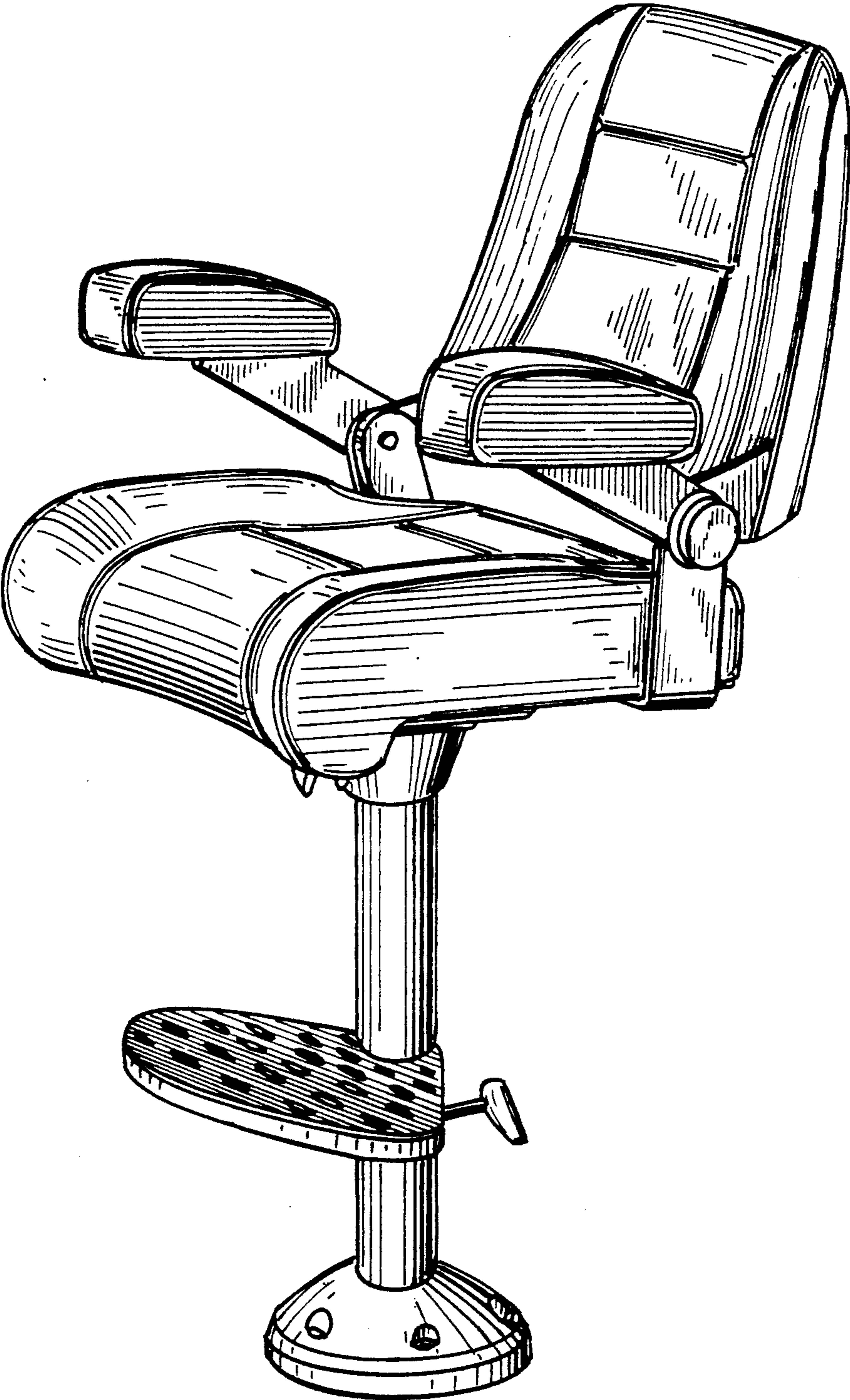
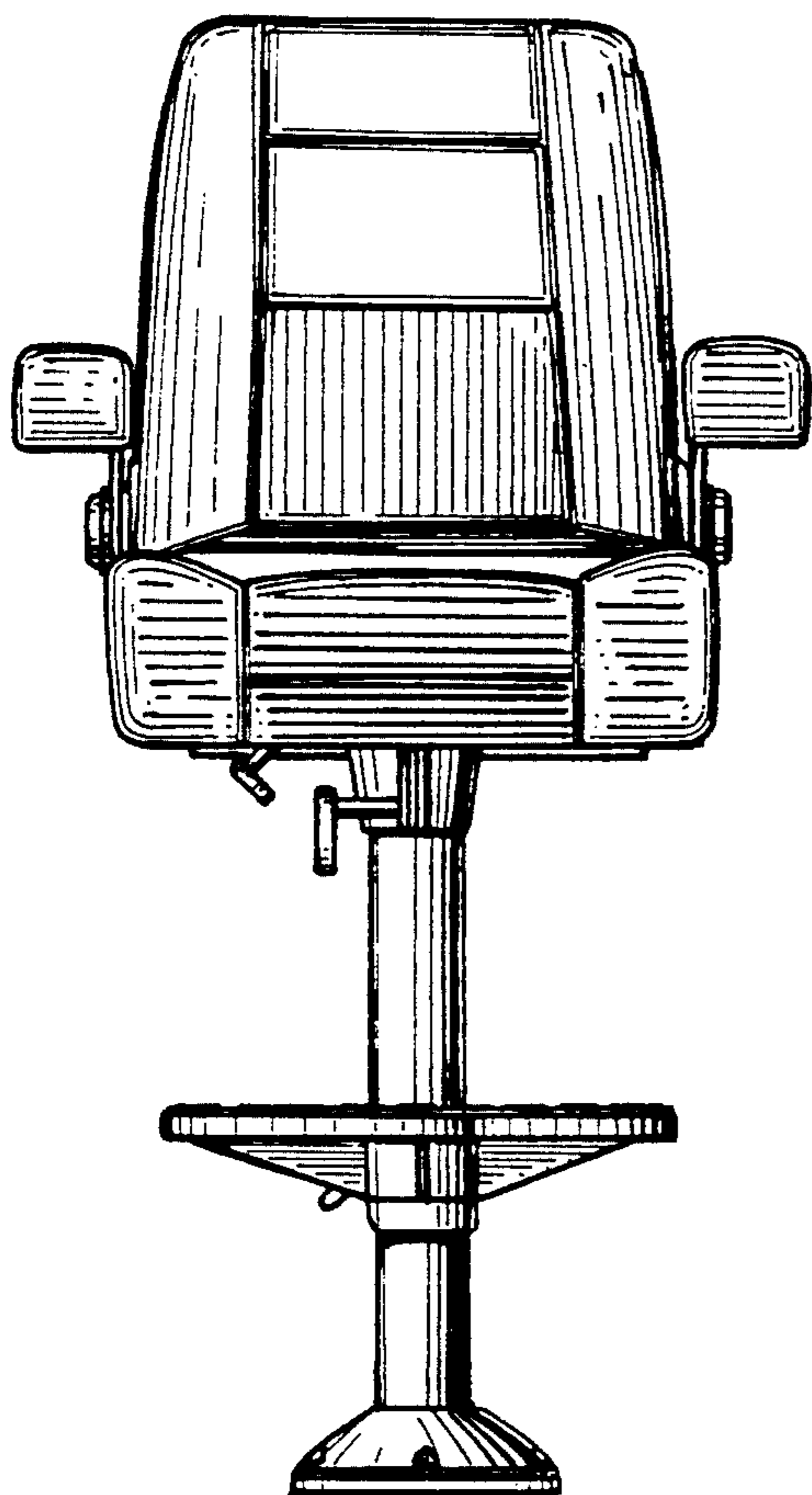


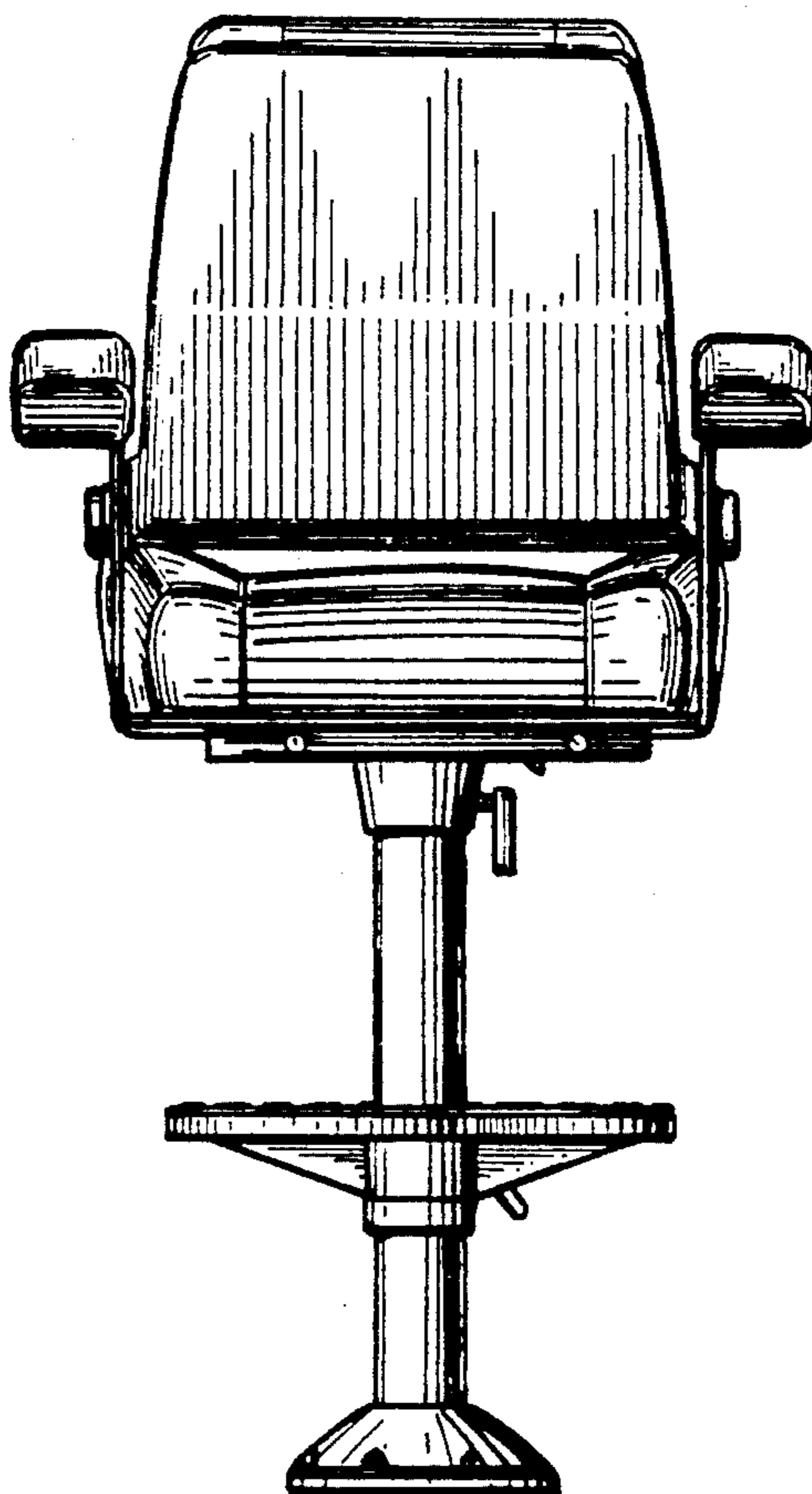
Fig. 7



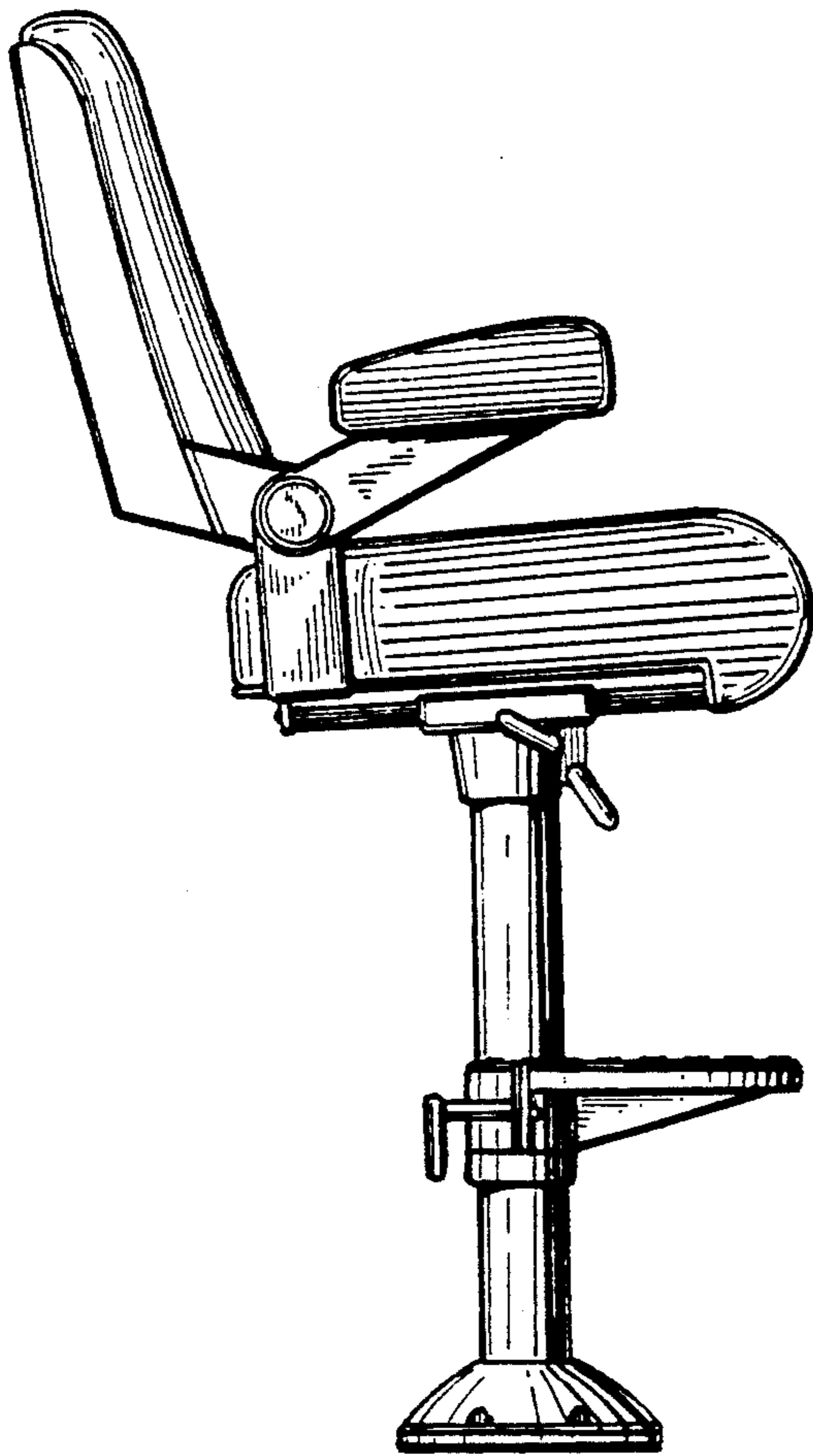
**Fig. 8**



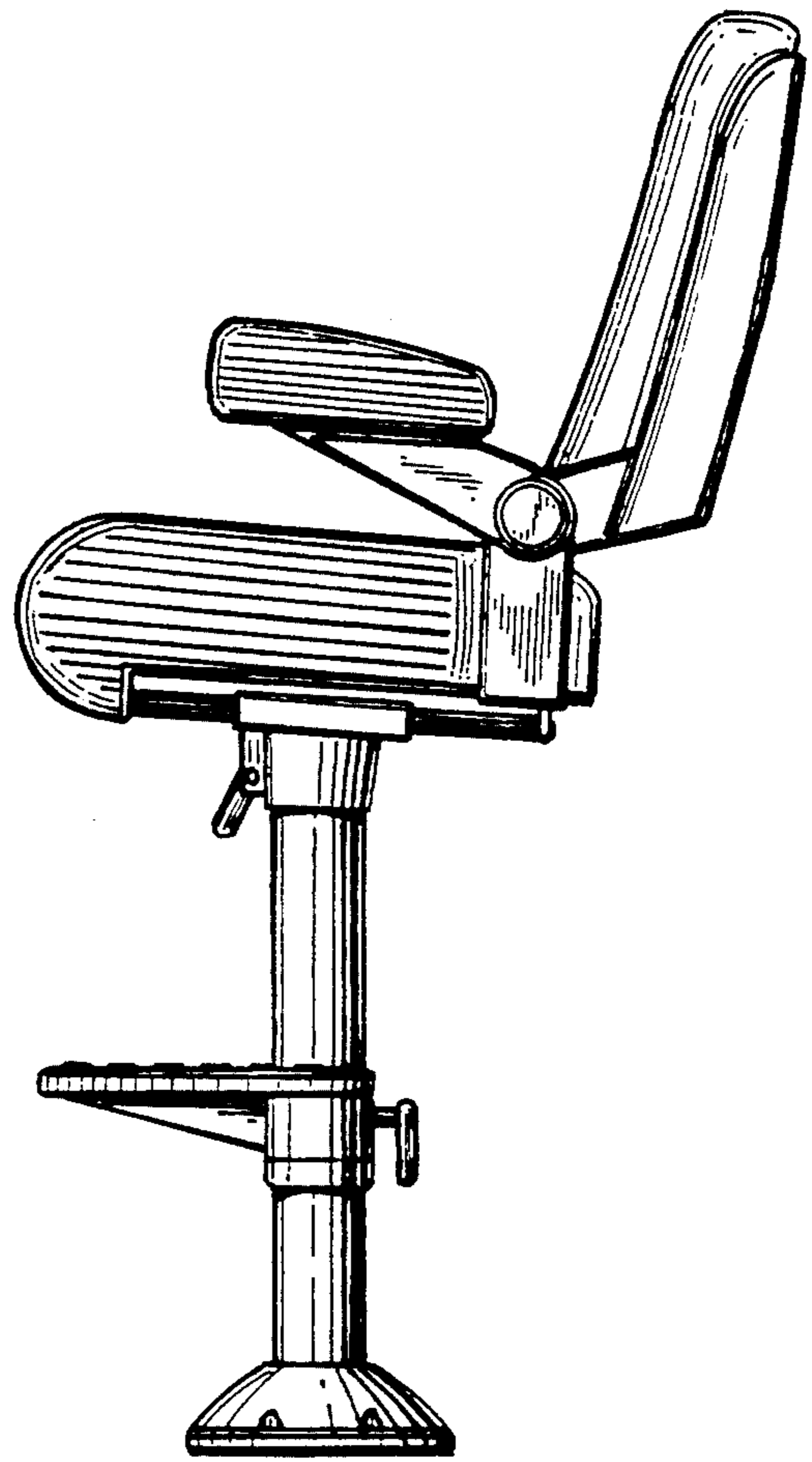
**Fig. 9**



**Fig. 10**



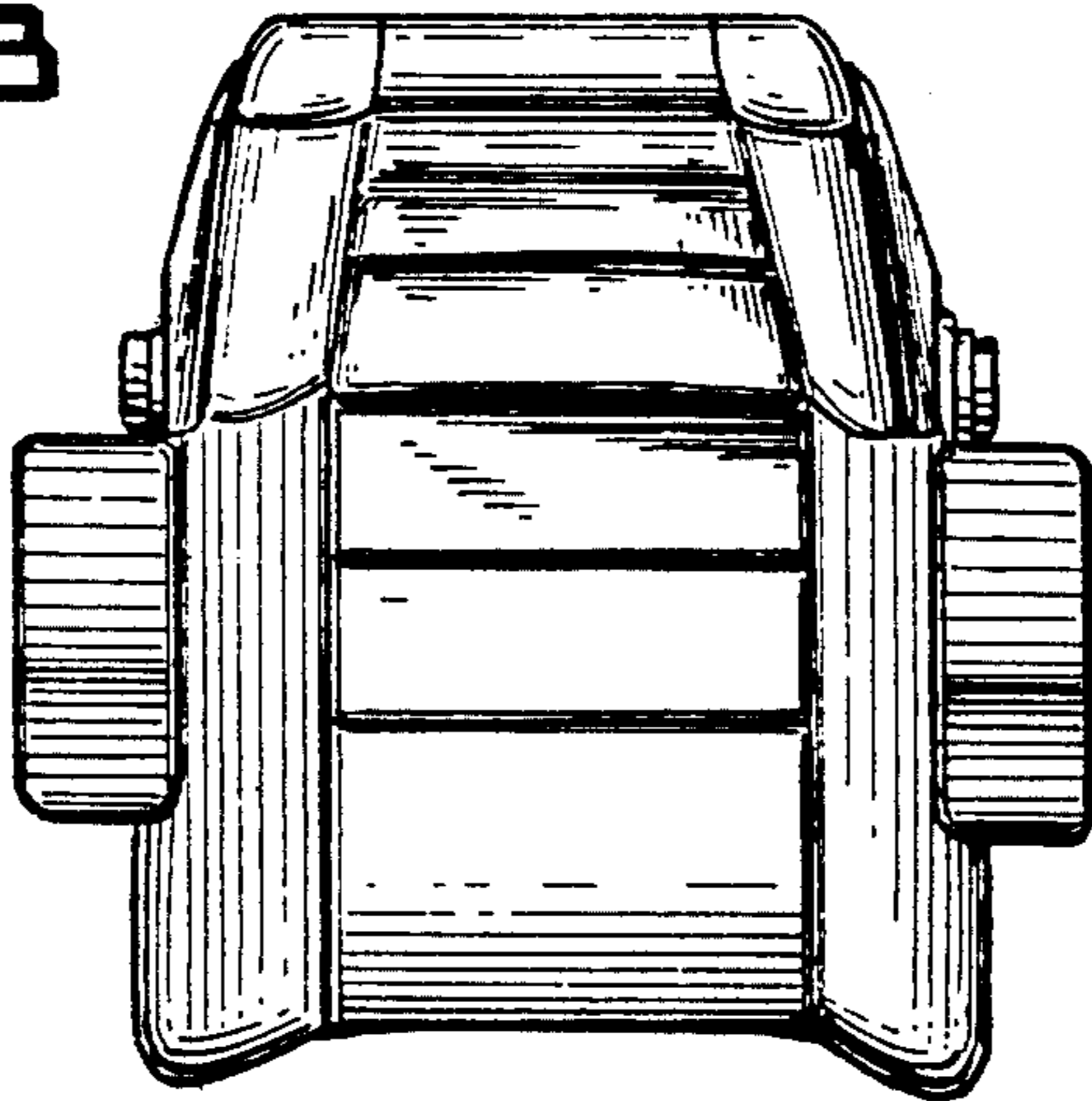
**Fig. 11**



**Fig. 12**



**Fig. 13**



**Fig. 14**

