



US00D336790S

United States Patent [19]

[11] Patent Number: **Des. 336,790**

Louers

[45] Date of Patent: **** Jun. 29, 1993**

[54] STANDING CHAIR

[56] References Cited

U.S. PATENT DOCUMENTS

[76] Inventor: **Craig Louers, 1220 Adeline Way, Capt. Hgts., Md. 20743**

D. 114,435	8/1938	Berna	D6/366 X
D. 207,102	3/1967	Hennessey	D6/365
D. 249,205	9/1978	Spencer	D6/372 X
D. 274,867	7/1984	Caldwell	D6/366 X
3,899,207	8/1975	Mueller	D6/380 X

[**] Term: **14 Years**

Primary Examiner—Nelson C. Holtje
Assistant Examiner—J. E. Seeger

[21] Appl. No.: **624,684**

[57] CLAIM

The ornamental design for a standing chair, as shown.

DESCRIPTION

[22] Filed: **Dec. 10, 1990**

FIG. 1 is a perspective view;

[52] U.S. Cl. **D6/360; D6/365**

FIG. 2 is a side view of chair in standing position;

[58] Field of Search **D6/334-336,**

FIG. 3 is a front view;

D6/338, 341, 358, 360, 363, 364, 367, 374, 375,
379, 380, 500-502; 297/218, 457

FIG. 4 is a rear view; and,

FIG. 5 is a side view of chair in sitting position.

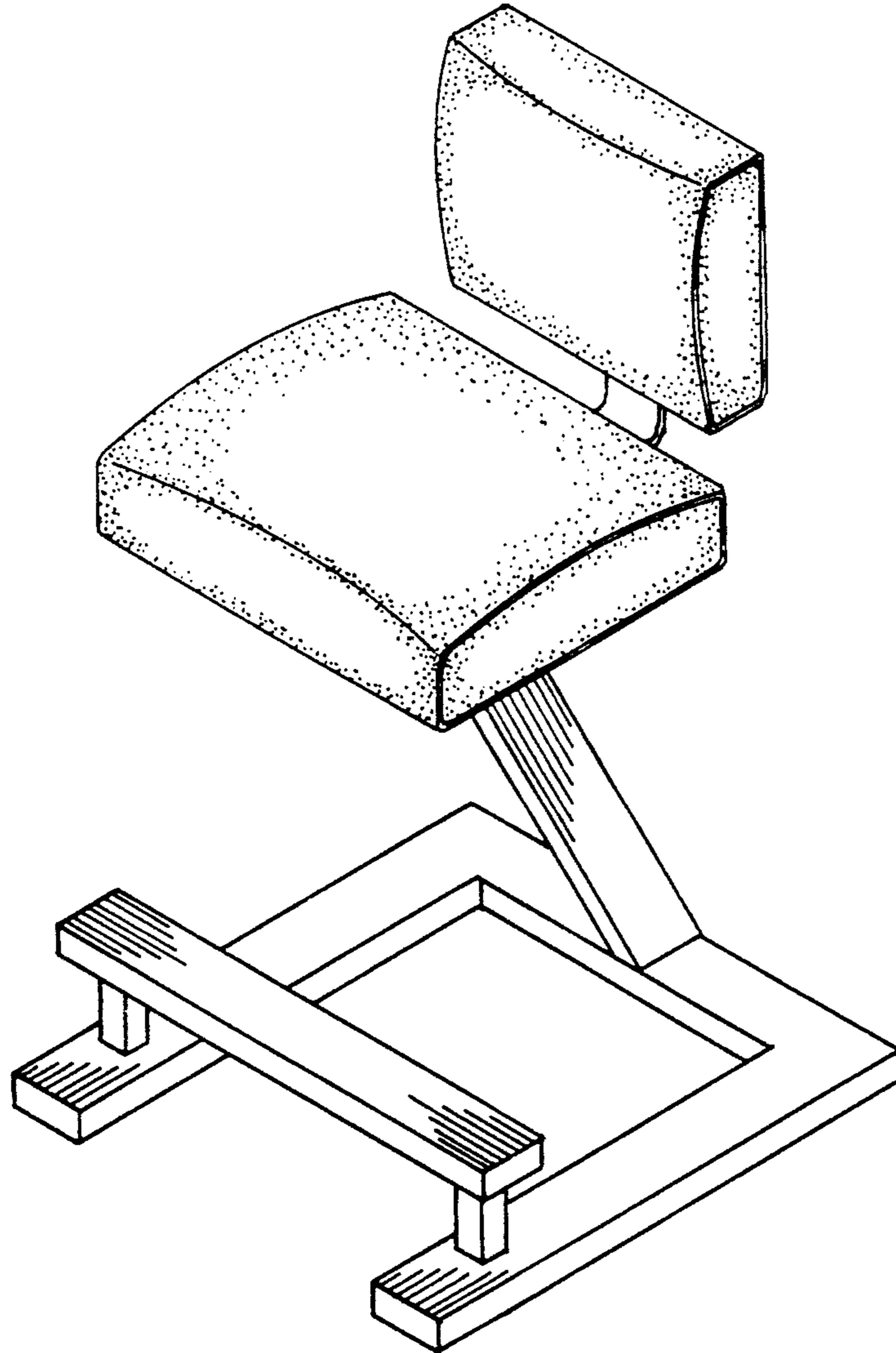


FIG. 1

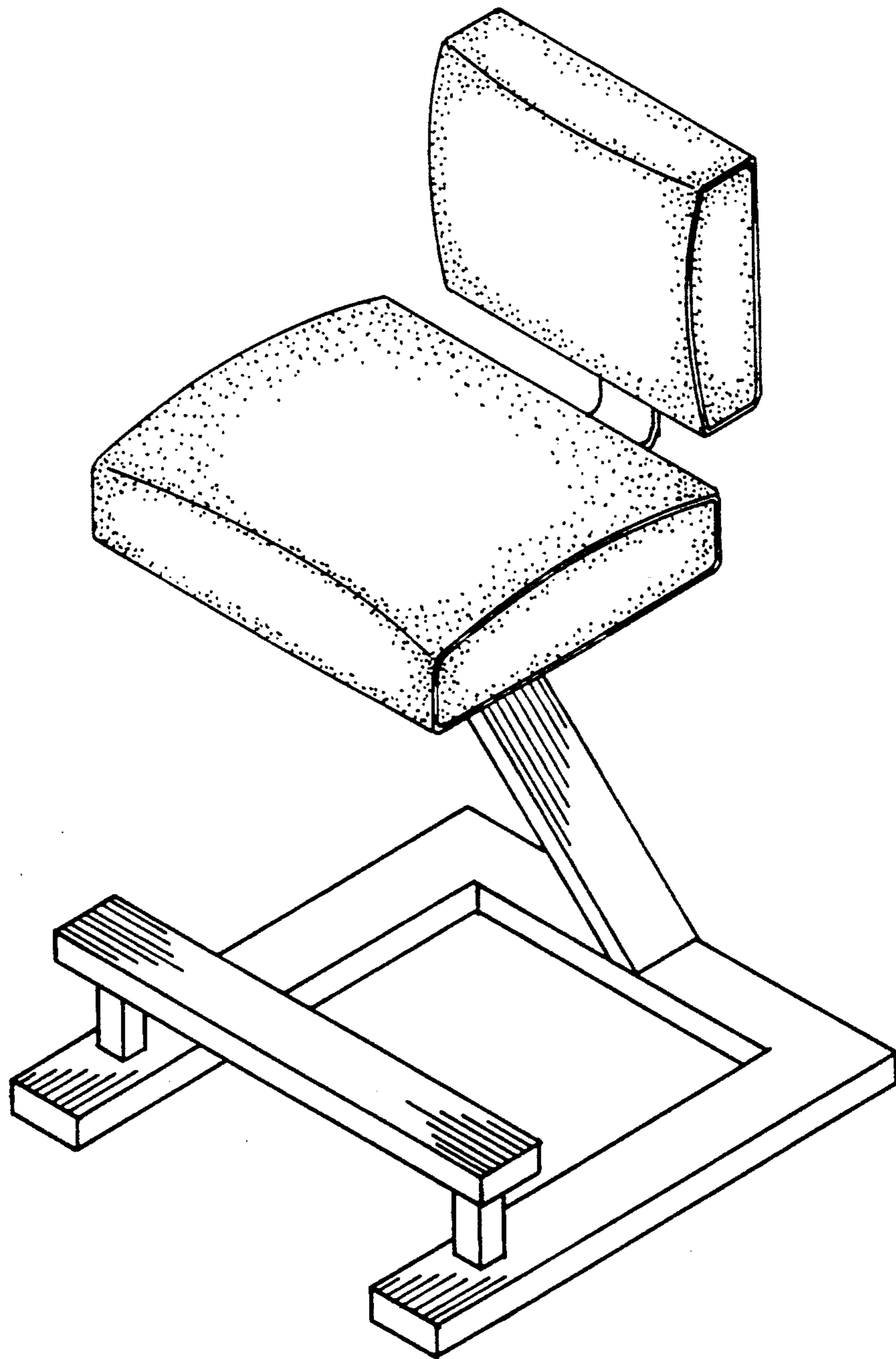


FIG. 2

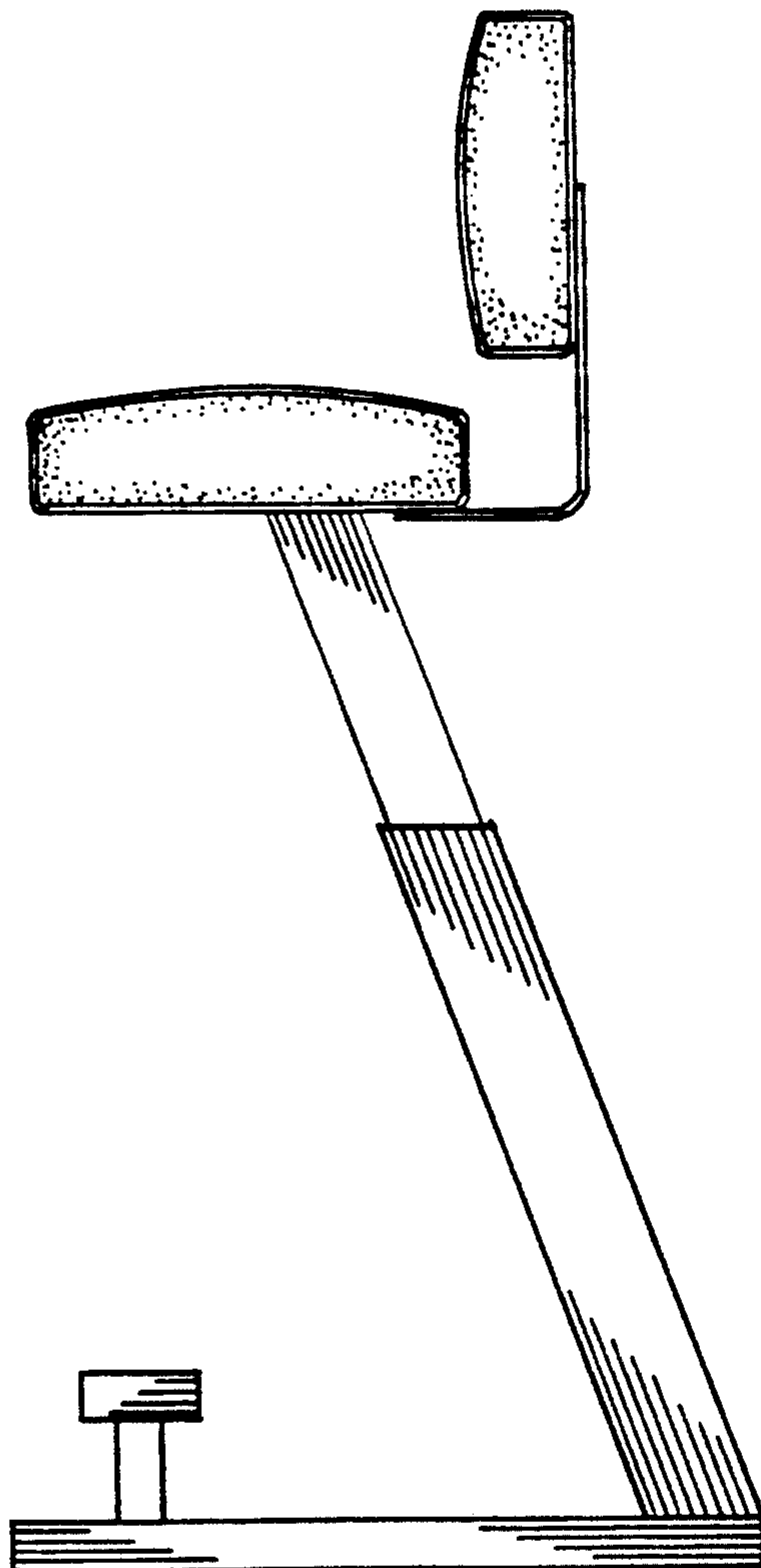


FIG. 3

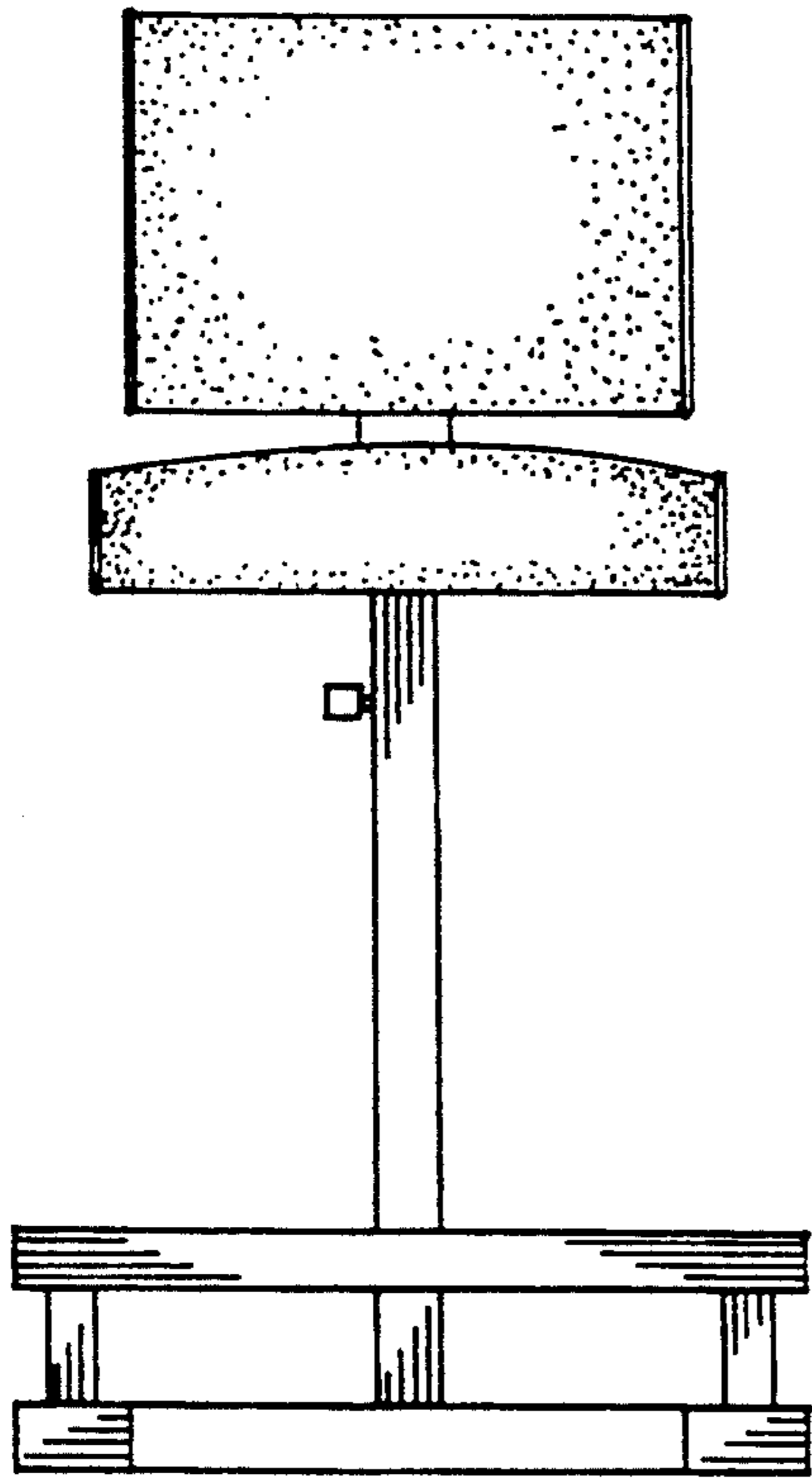


FIG. 4

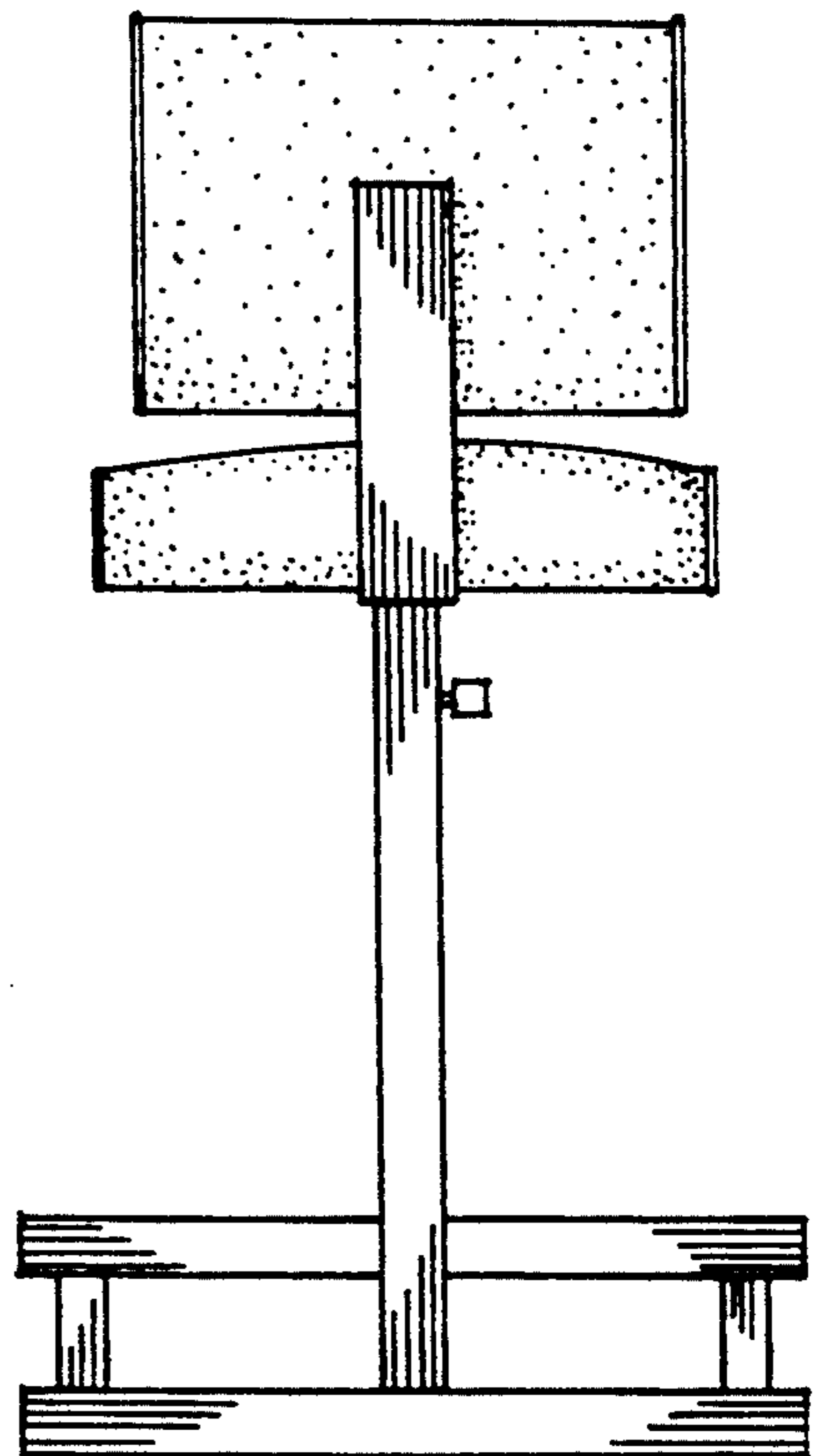


FIG. 5

