



US00D336789S

United States Patent [19]

[11] Patent Number: **Des. 336,789**

Yang

[45] Date of Patent: **** Jun. 29, 1993**

[54] CHAIR

OTHER PUBLICATIONS

[76] Inventor: **Shaw-Chyun Yang**, 2nd Floor, 108, Kang-Ning Road, Sec. 1, Nei-Hu District, Taipei, Taiwan

Living Designs Cat., front cover, "Frog Shawn" Chair, right center of page.

[**] Term: **14 Years**

Primary Examiner—Alan P. Douglas
Assistant Examiner—Monica A. Hannon
Attorney, Agent, or Firm—Lowe, Price, LeBlanc & Becker

[21] Appl. No.: **606,785**

[22] Filed: **Oct. 31, 1990**

[52] U.S. Cl. **D6/359; D6/358; D21/158**

[57] CLAIM

The ornamental design for a chair, as shown.

[58] Field of Search **D6/333, 358, 359, 380; D21/158, 121, 122, 123; 297/181**

DESCRIPTION

[56] References Cited

FIG. 1 is a front perspective view of a chair showing my new design;

U.S. PATENT DOCUMENTS

D. 69,518	2/1926	Kuhnen	D6/359
D. 88,540	12/1932	Hallward	D6/359
D. 149,331	4/1948	Alexander	D6/359
D. 230,748	3/1974	Matteson	D21/158 X
D. 244,324	5/1977	Garcia	D21/123

FIG. 2 is a front elevational view thereof;

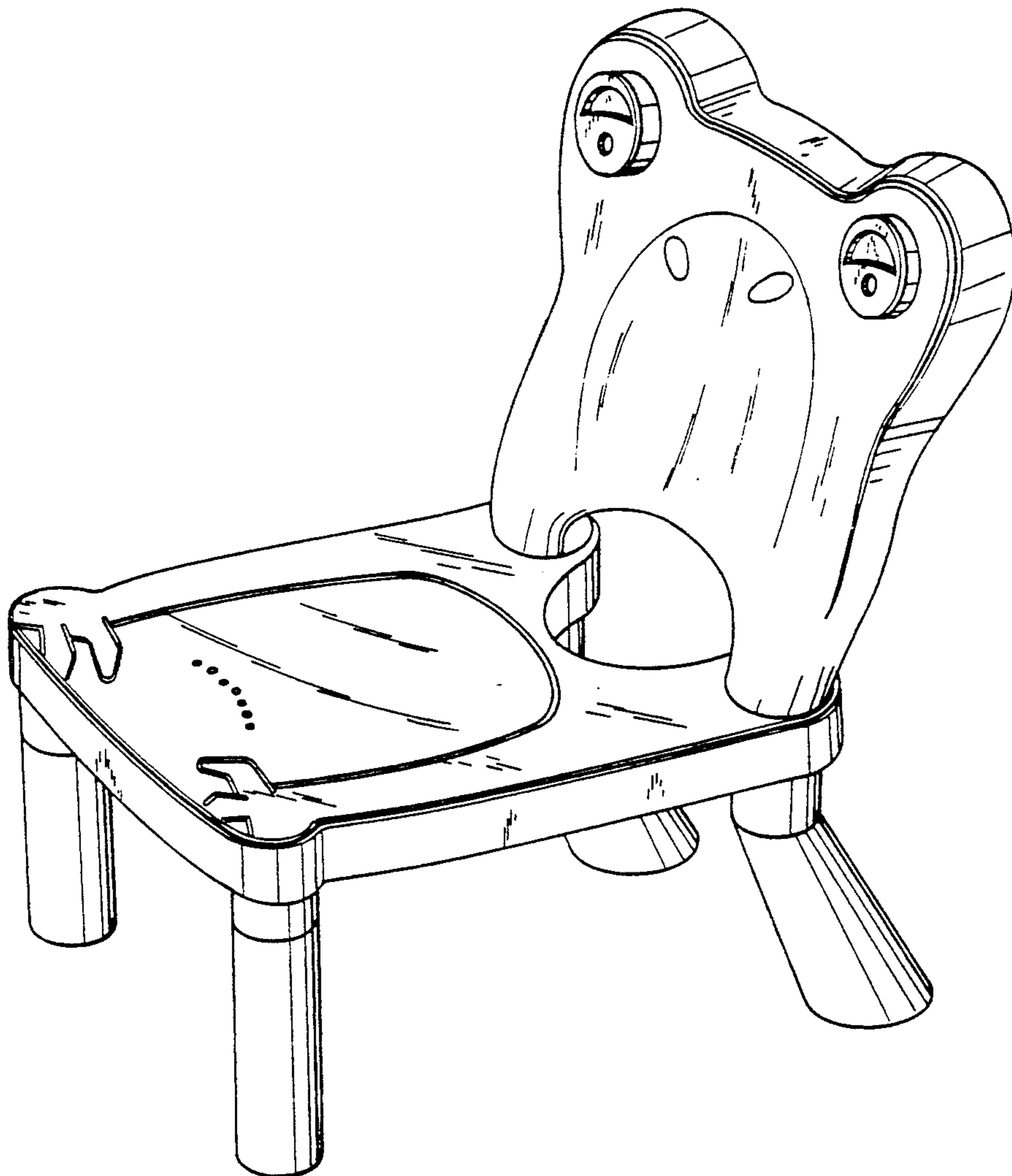
FIG. 3 is a rear elevational view thereof;

FIG. 4 is a left side elevational view thereof;

FIG. 5 is a right side elevational view thereof;

FIG. 6 is a top plan view thereof; and,

FIG. 7 is a bottom plan view thereof.



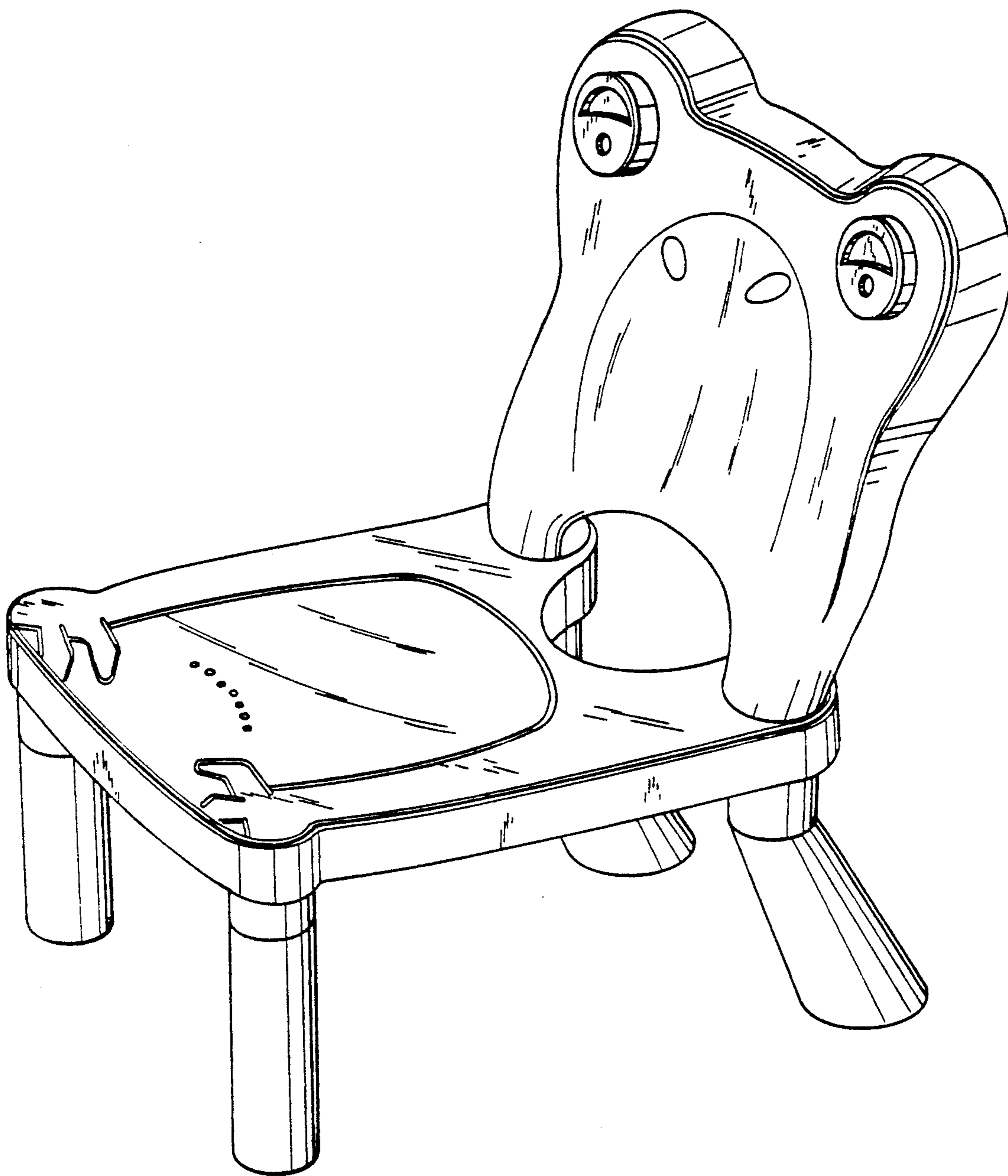


Fig. 1

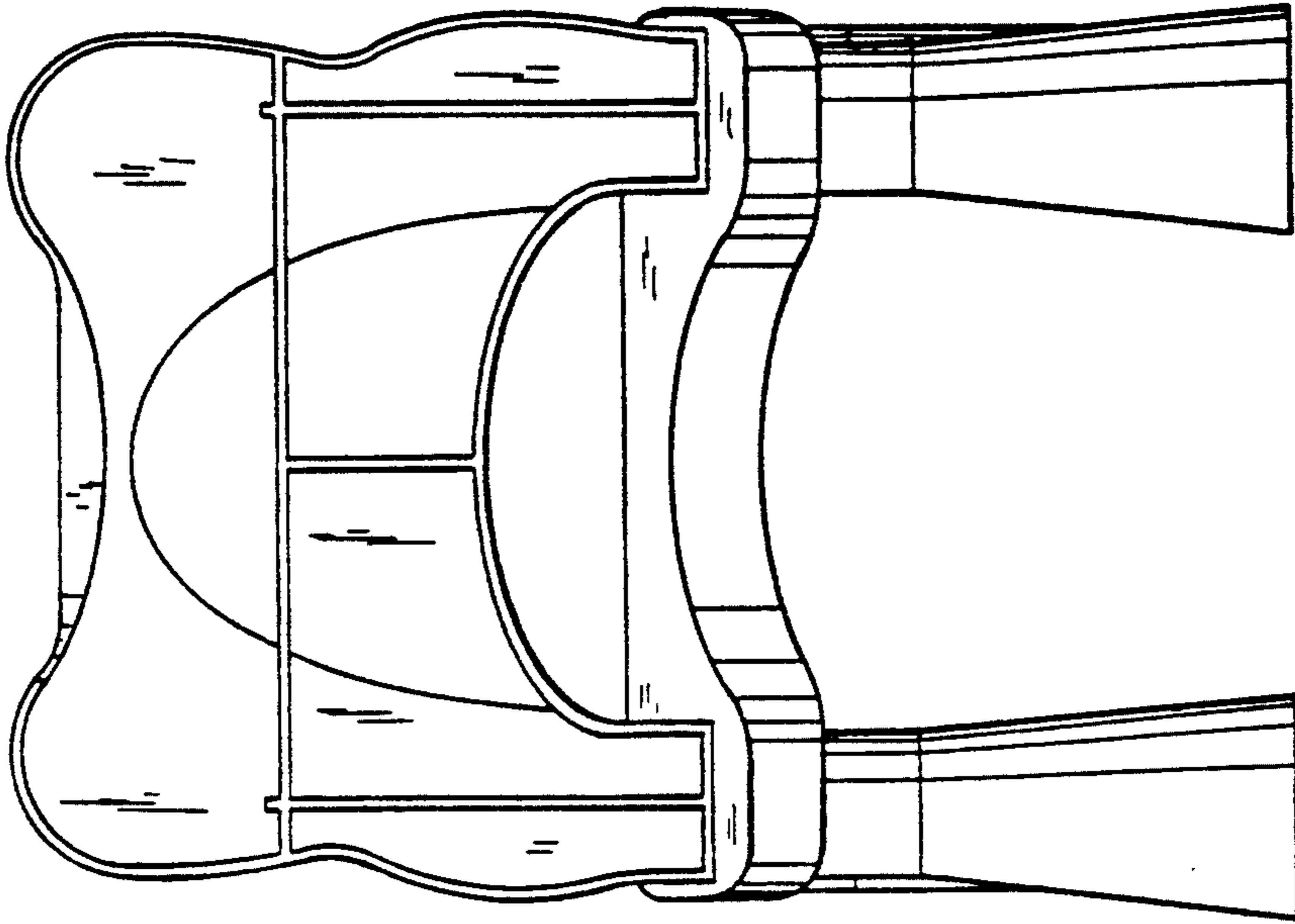


Fig. 3

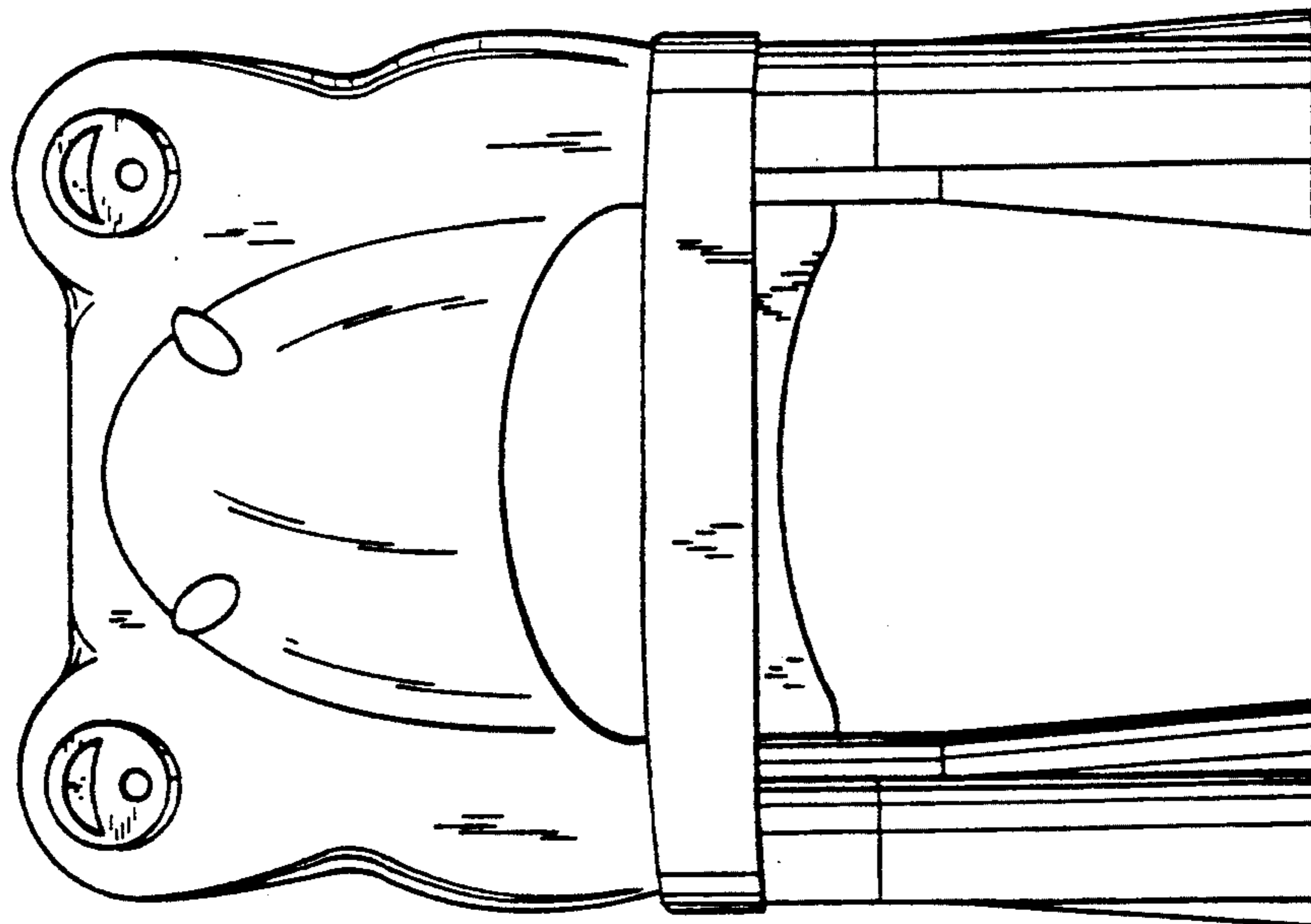


Fig. 2

Fig. 4

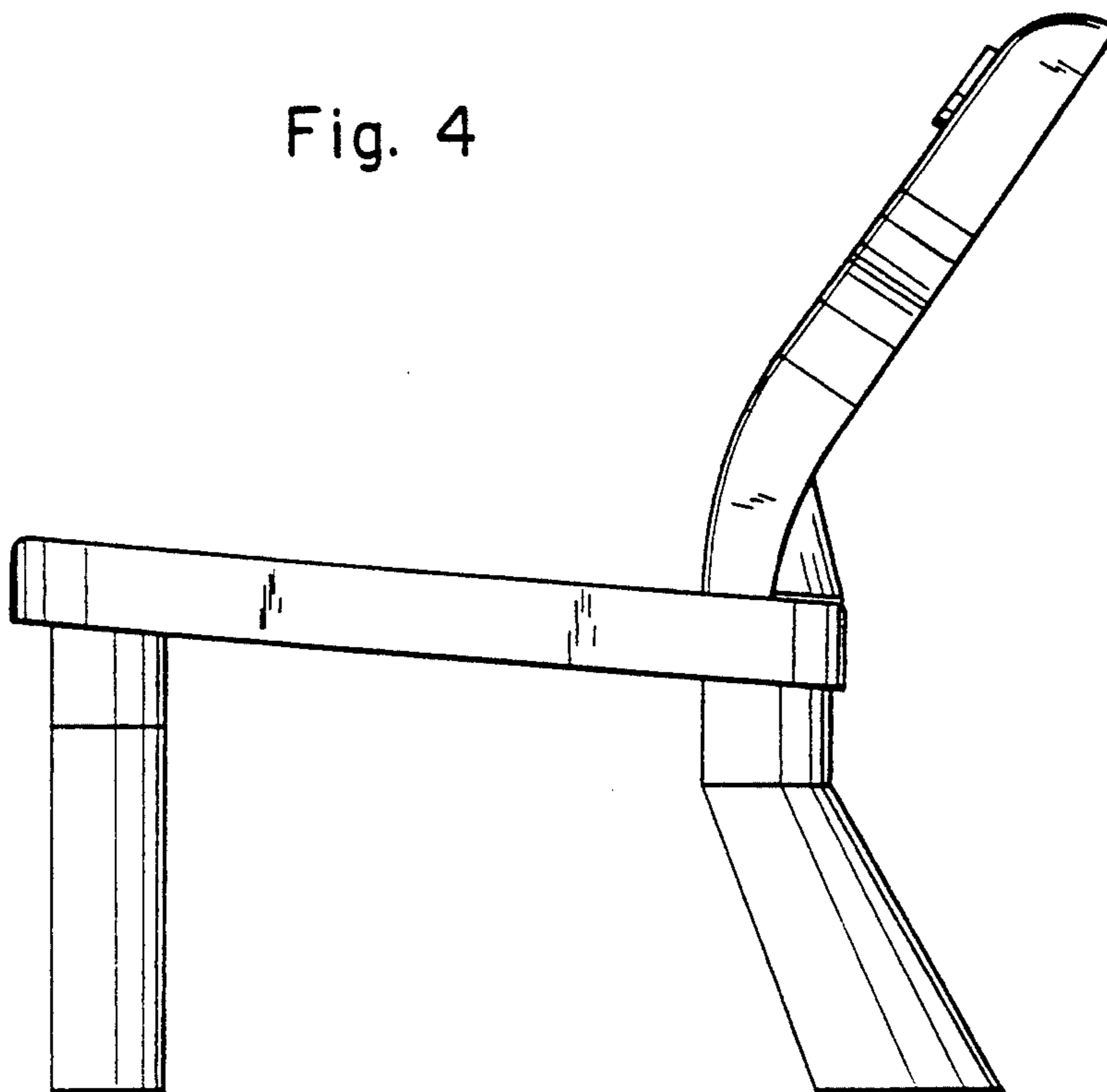
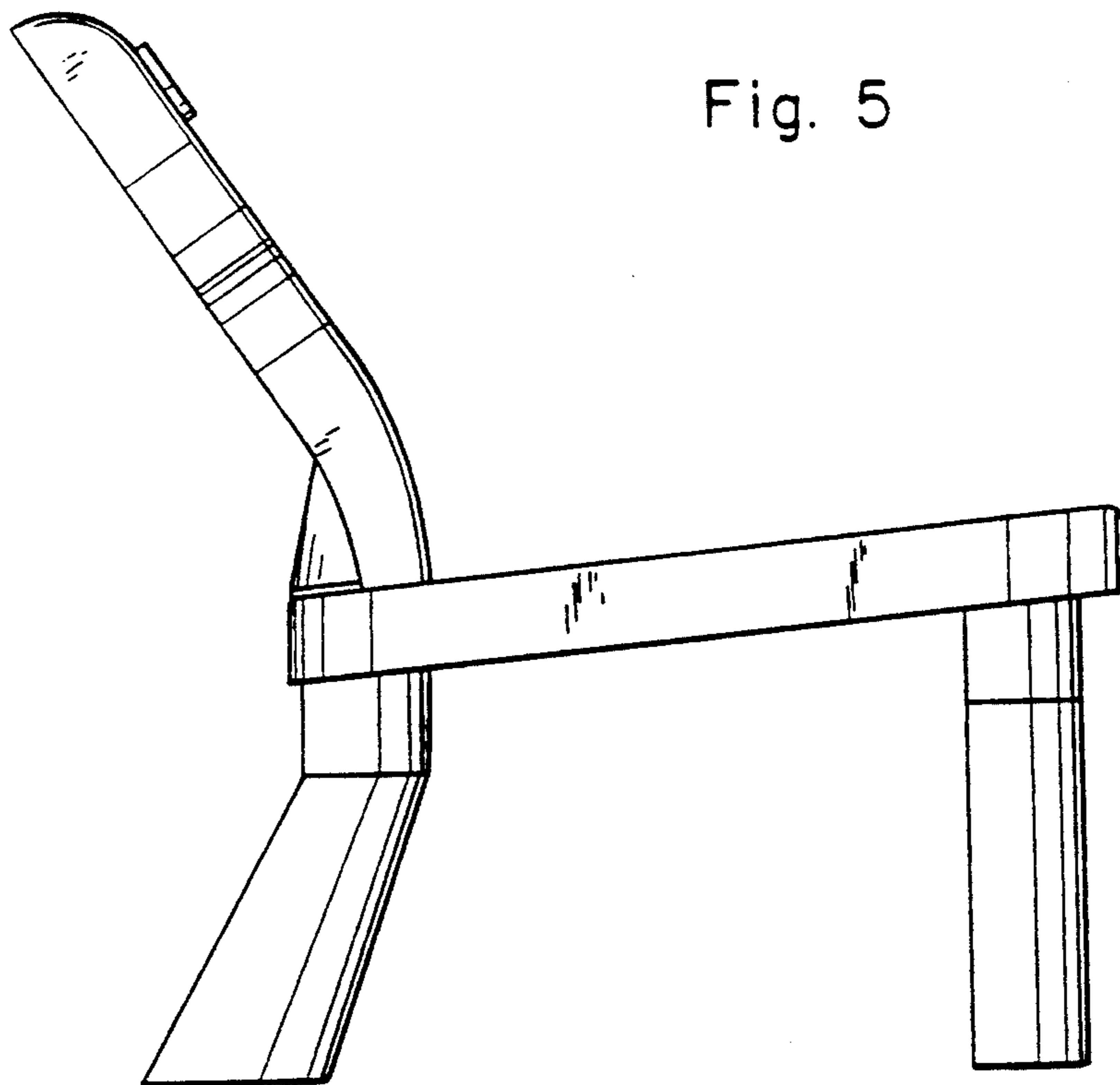


Fig. 5



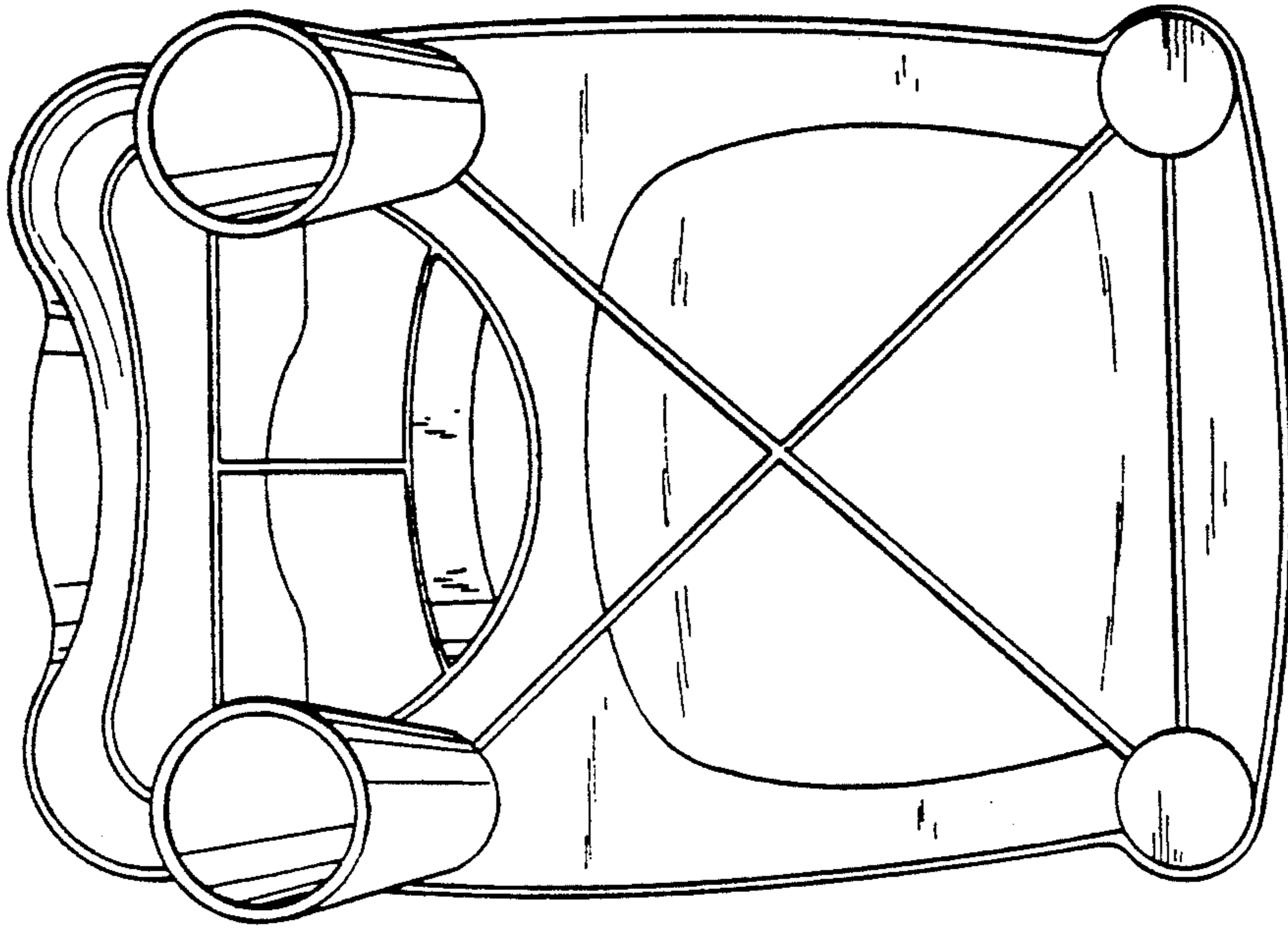


Fig. 6

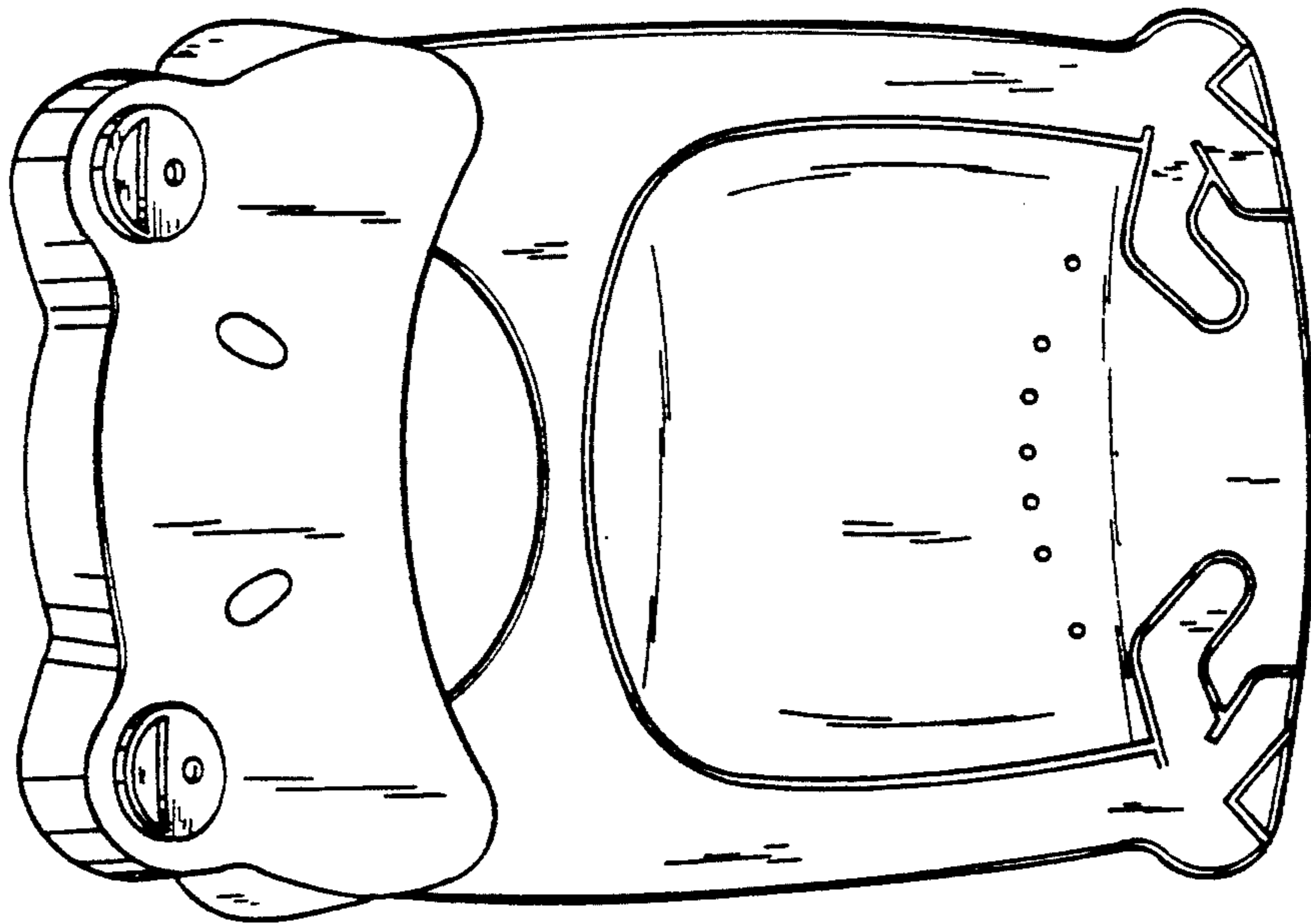


Fig. 7