



US00D336788S

United States Patent [19]

[11] Patent Number: Des. 336,788

Vasquez

[45] Date of Patent: ** Jun. 29, 1993

[54] SELF SUPPORTED GLIDER SWING

[57] CLAIM

[76] Inventor: Alexander G. Vasquez, 3611 W. Salinas, San Antonio, Tex. 78207

The ornamental design for a self supported glider swing, as shown and described.

[**] Term: 14 Years

DESCRIPTION

[21] Appl. No.: 649,827

[22] Filed: Feb. 1, 1991

[52] U.S. Cl. D6/344

[58] Field of Search D6/344, 347; 297/282, 297/432

FIG. 1 is a front elevational view of the first embodiment of my new design for a self supported glider swing;

FIG. 2 is a front elevational view of the second embodiment thereof;

FIG. 3 is a top plan view of the first embodiment thereof;

FIG. 4 is a top plan view of the second embodiment thereof;

FIG. 5 is a left end elevational view of both the first and second embodiments thereof, the right end elevational views of the two embodiments being mirror images;

FIG. 6 is a front and left end perspective view of the second embodiment thereof;

FIG. 7 is a rear elevational view of the second embodiment thereof; and,

FIG. 8 is a bottom plan view of the second embodiment thereof.

[56] References Cited

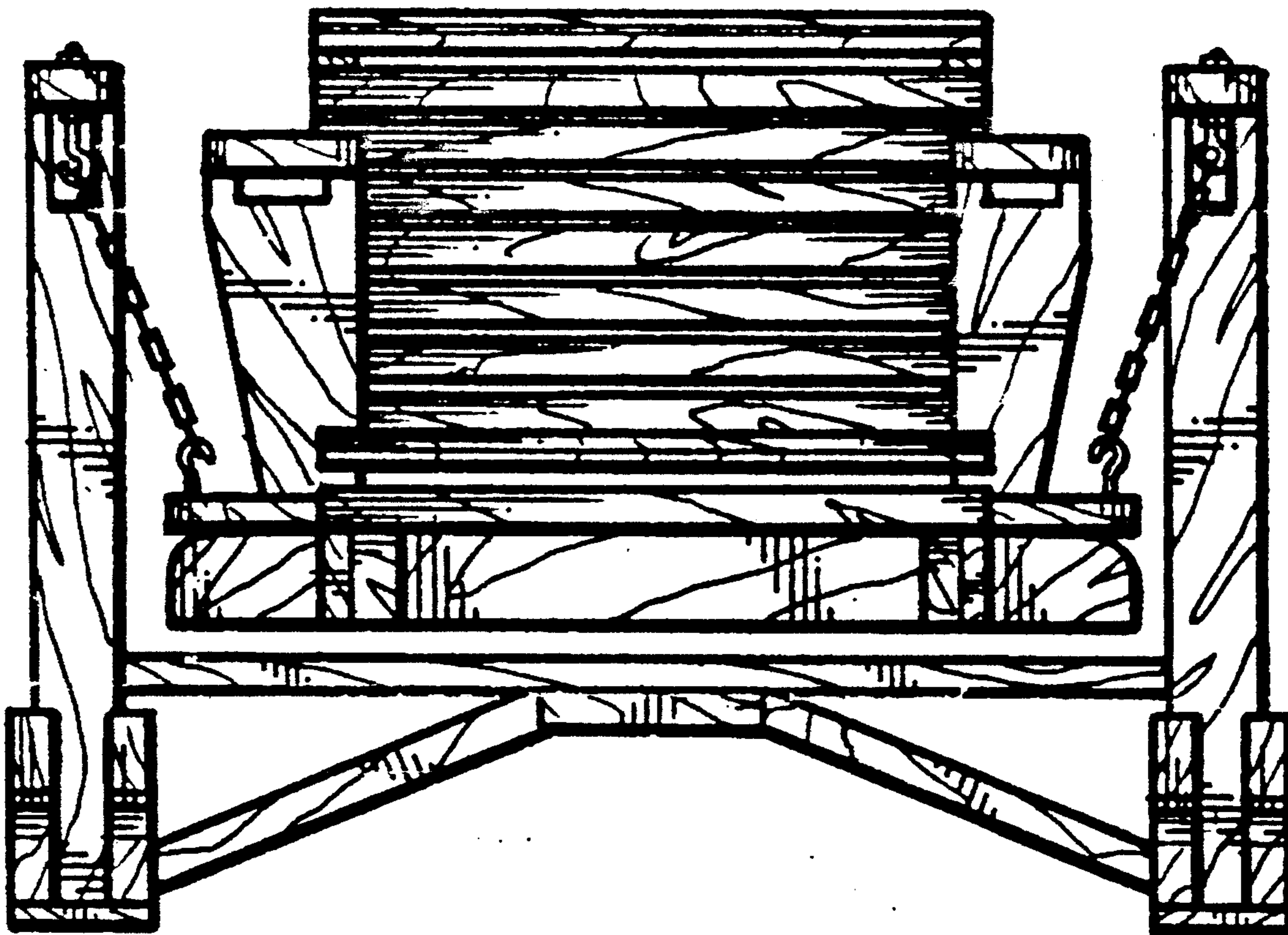
U.S. PATENT DOCUMENTS

1,177,899	4/1916	Rogers	297/432 X
1,845,142	2/1932	Friesner	297/282 X
4,796,949	1/1989	Boyce	297/282 X

FOREIGN PATENT DOCUMENTS

11379	1/1928	Austria	297/282
-------	--------	---------	---------

Primary Examiner—Alan P. Douglas
Assistant Examiner—Monica A. Hannon
Attorney, Agent, or Firm—Richard C. Litman



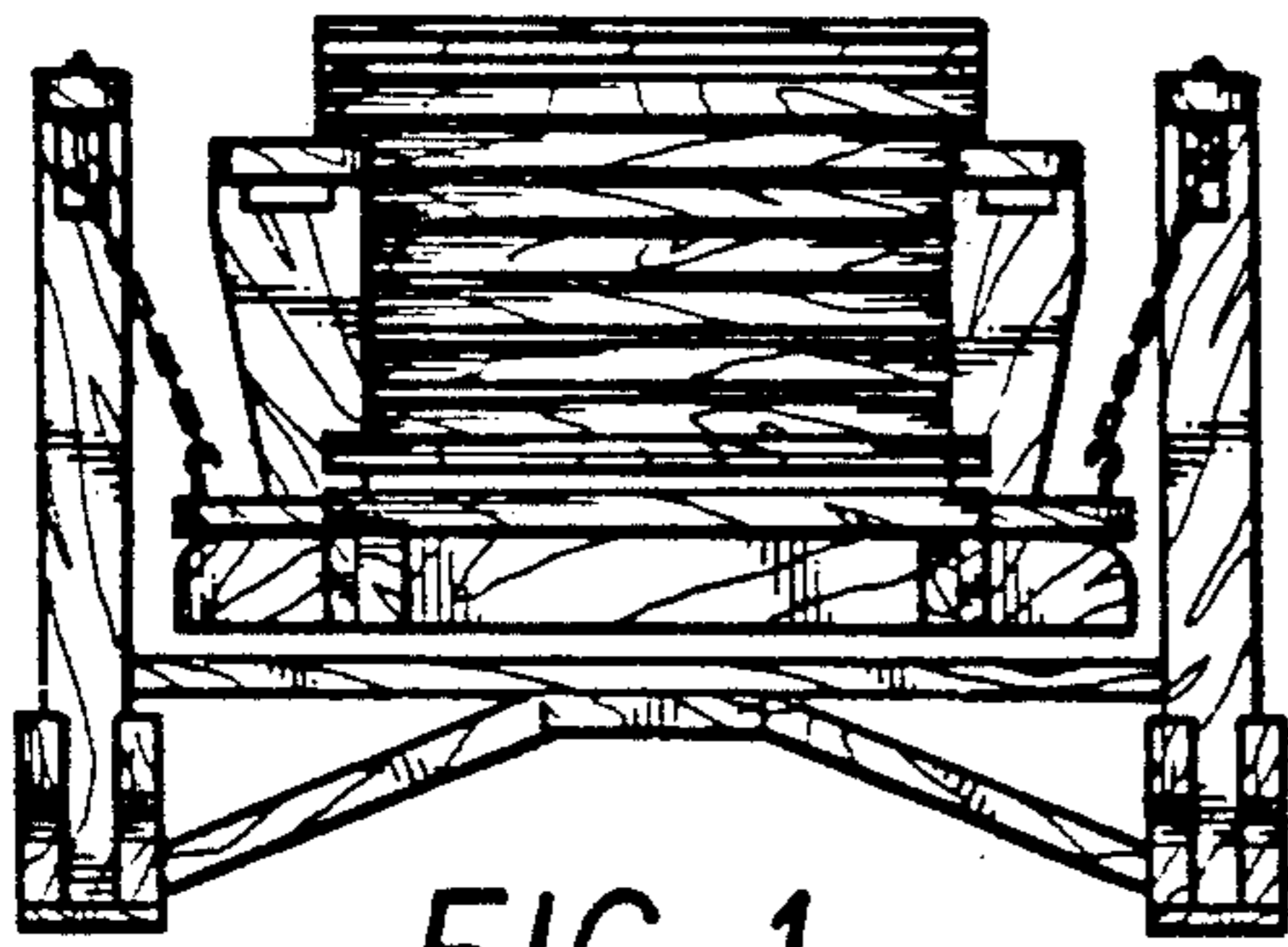


FIG. 1

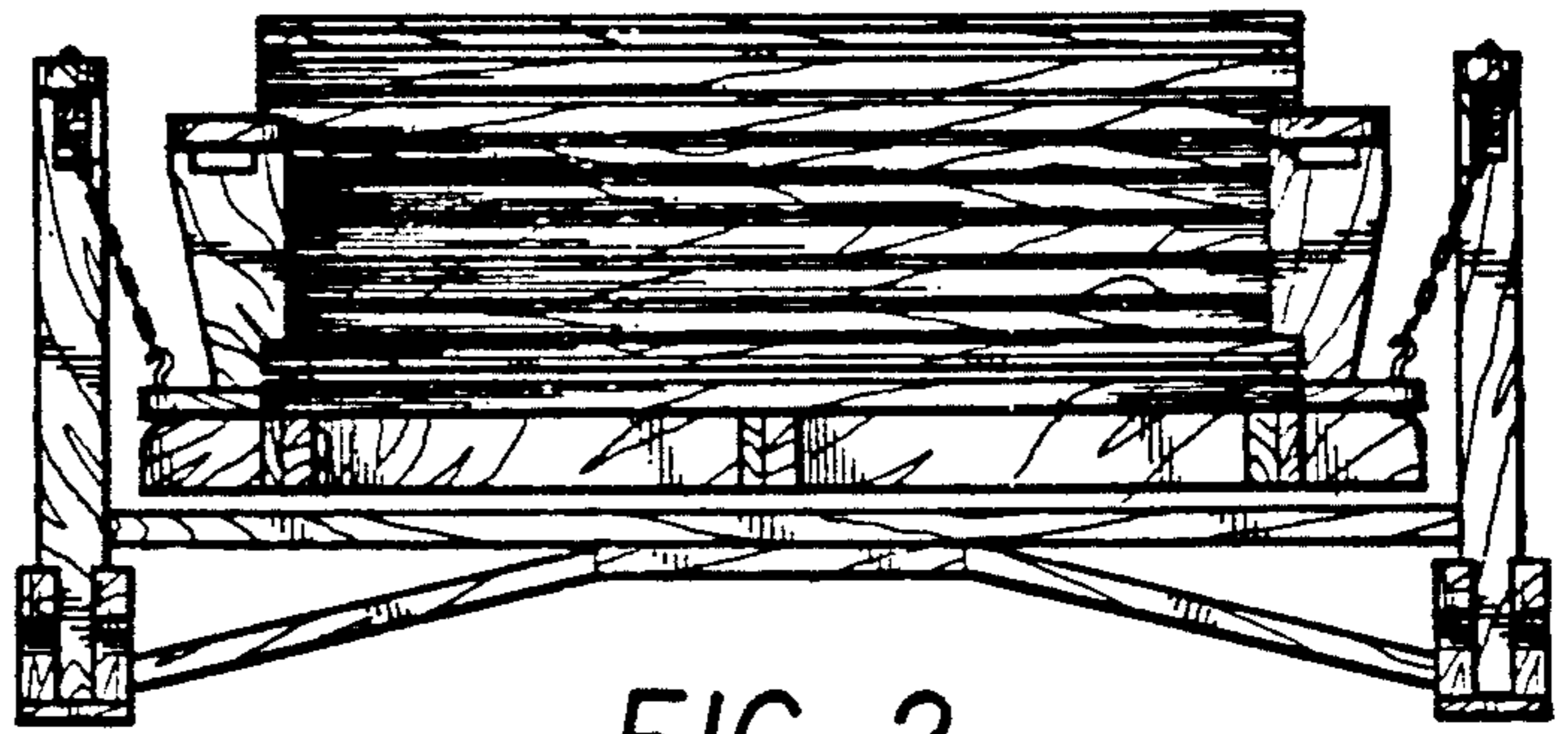


FIG. 2

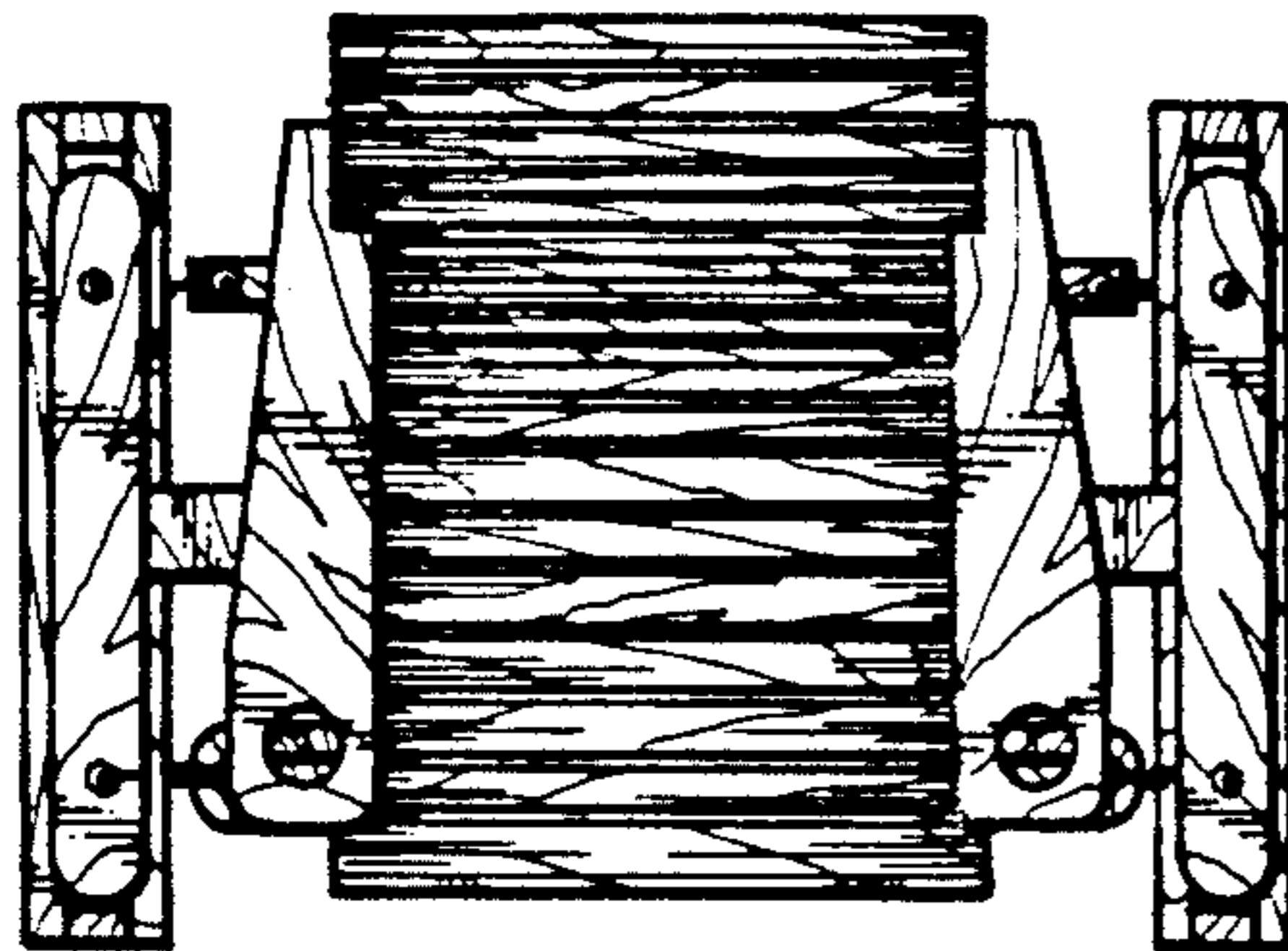


FIG. 3



FIG. 4

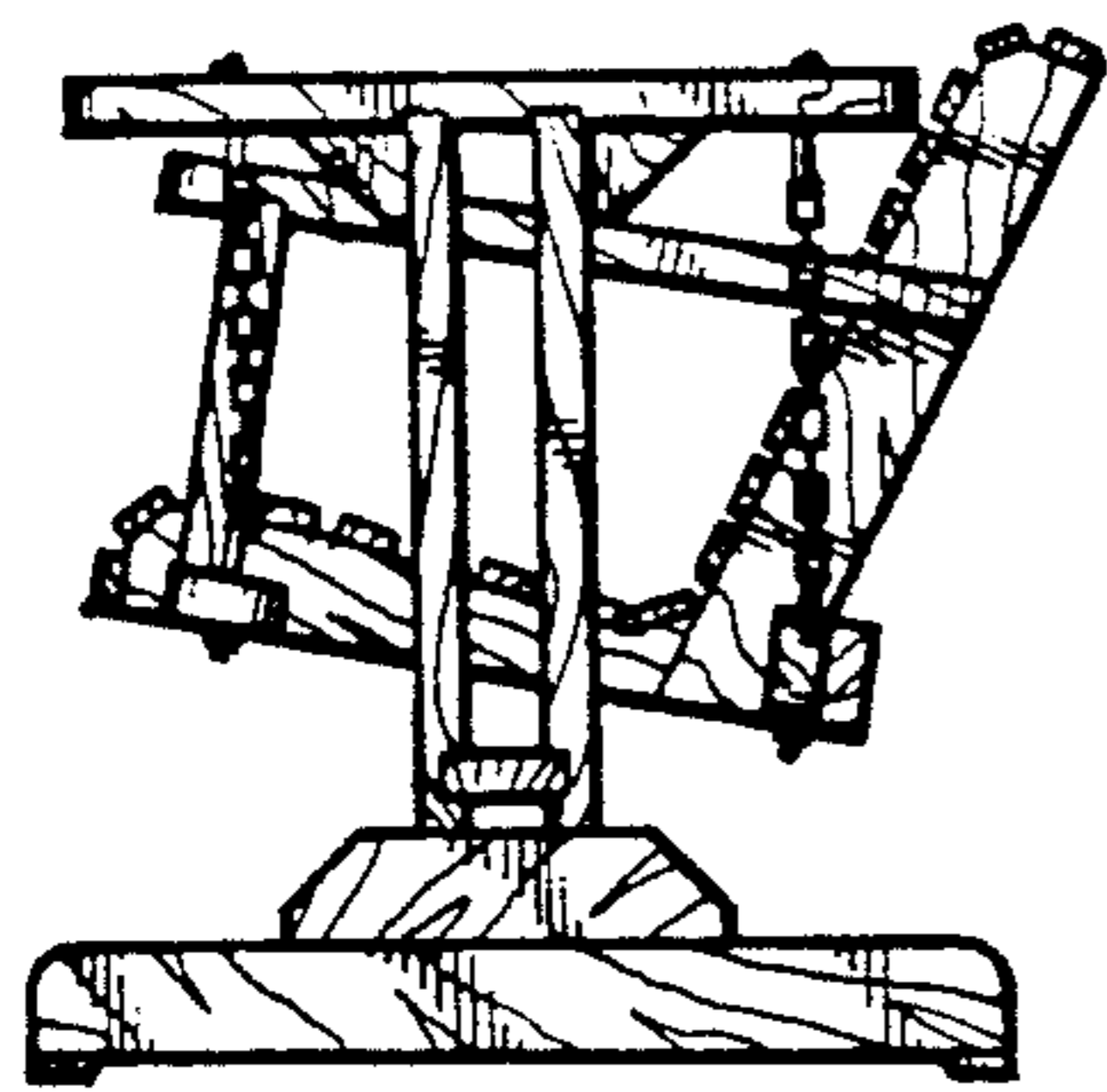


FIG. 5

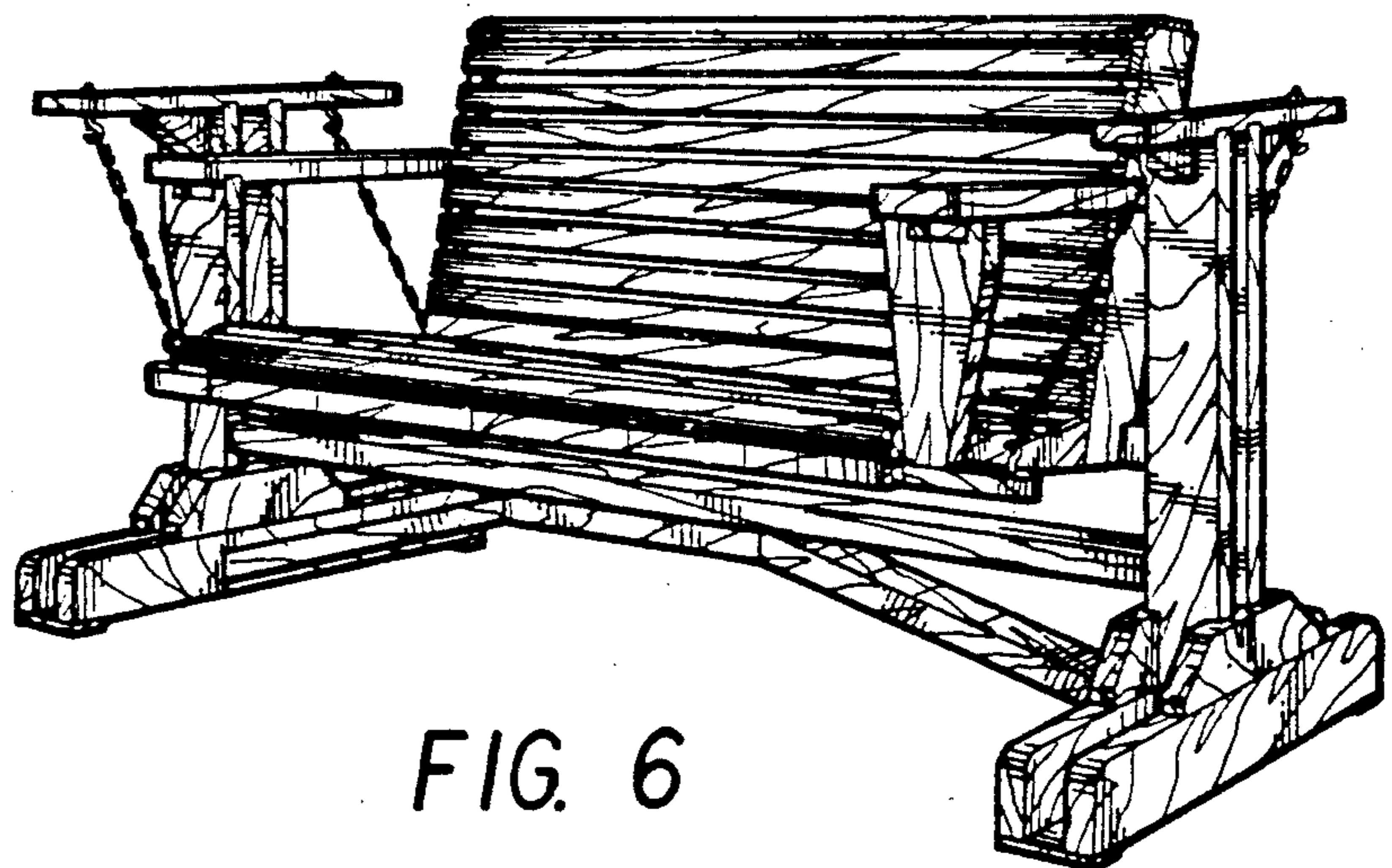


FIG. 6

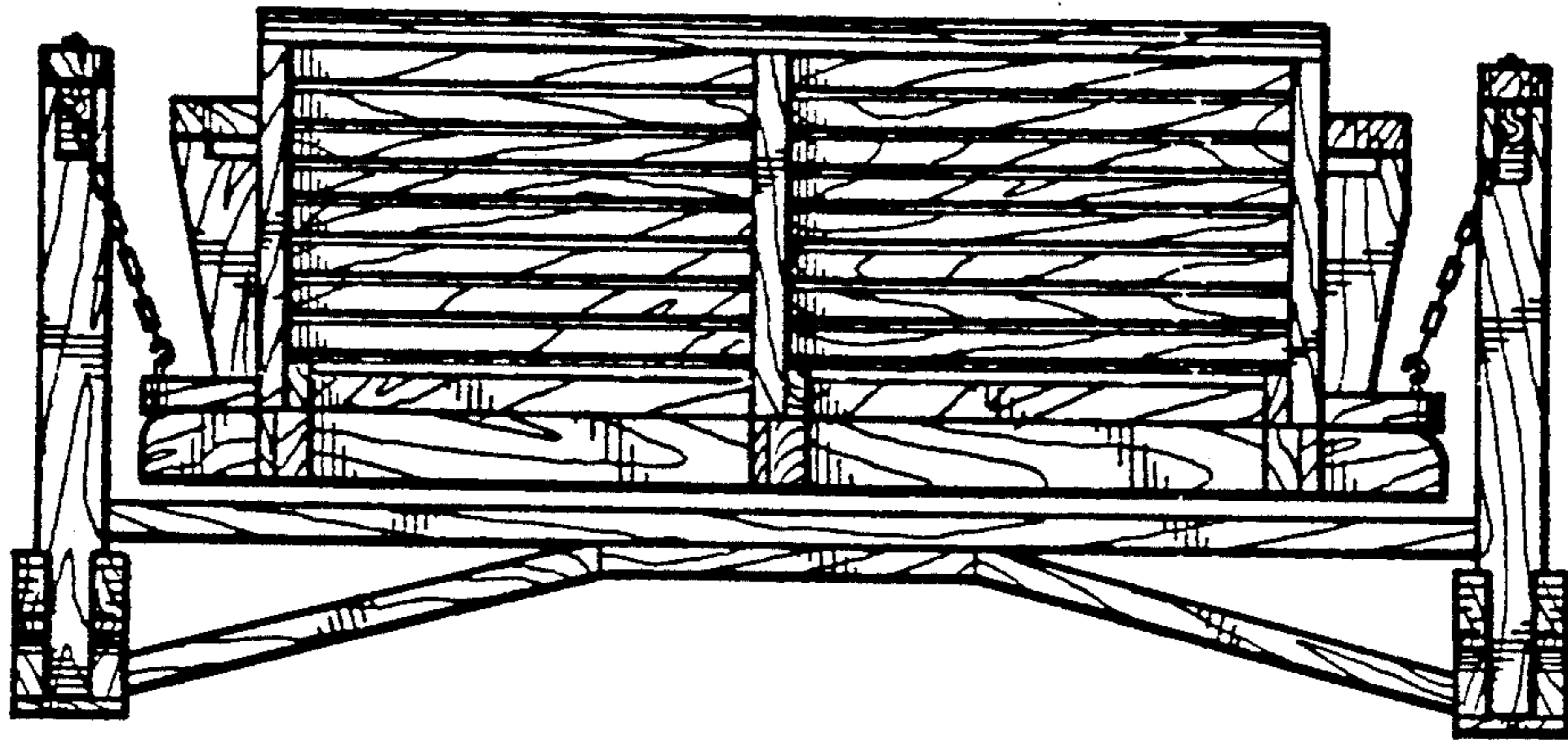


FIG. 7

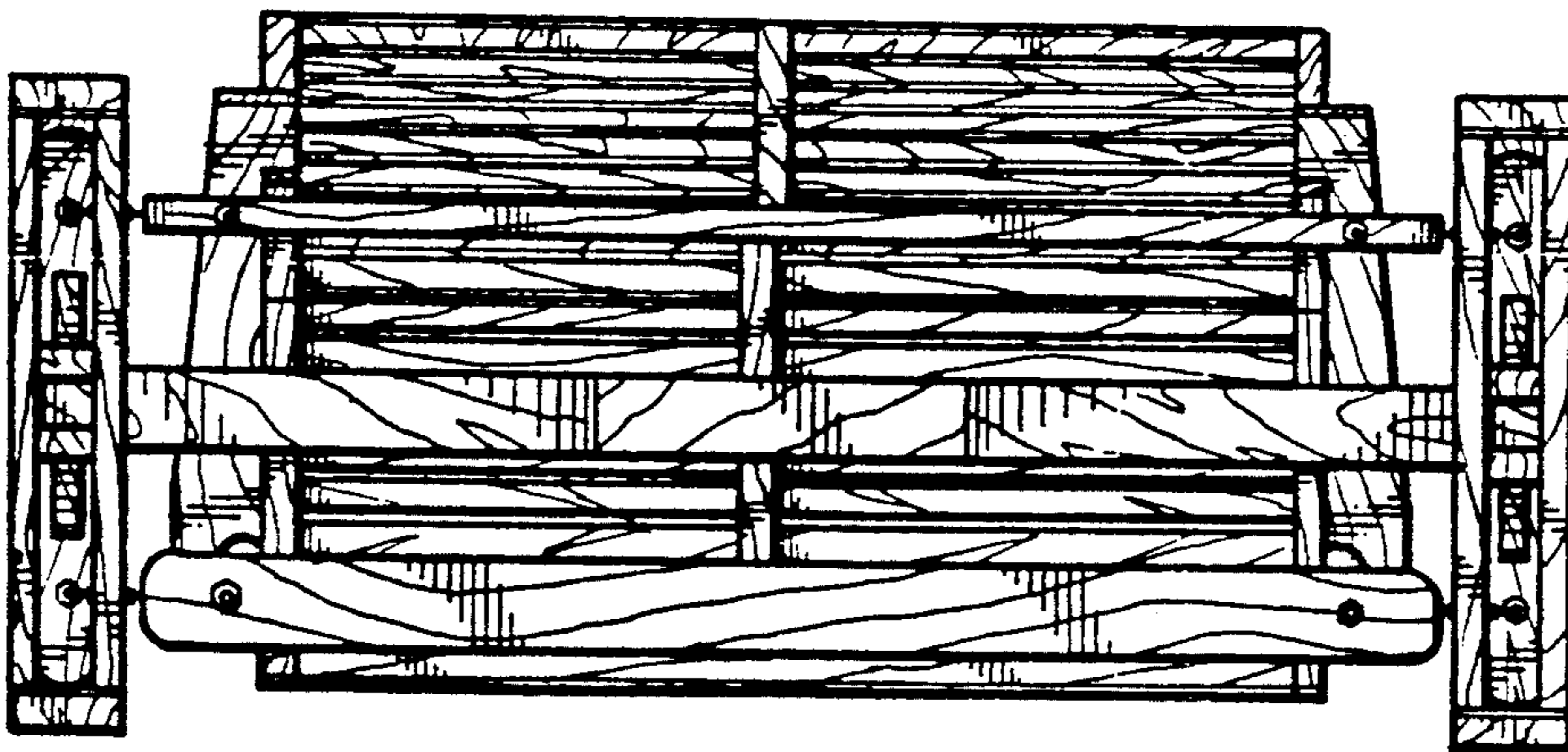


FIG. 8