



US00D336783S

United States Patent [19]

Hopkins et al.

[11] Patent Number: Des. 336,783

[45] Date of Patent: ** Jun. 29, 1993

[54] SNOW BRUSH WITH REMOVABLE SCRAPER AND FOLDING HANDLE

3,051,975	9/1962	Schwartz	15/111 X
4,041,564	8/1977	Schlicher	15/111
4,719,660	1/1988	Hopkins	15/105

[75] Inventors: Kenneth L. Hopkins; Samuel B. Kemple; Michael D. Swan, all of Emporia, Kans.

Primary Examiner—Wallace R. Burke
Assistant Examiner—Lavone D. Tabor
Attorney, Agent, or Firm—Calfee, Halter & Griswold

[73] Assignee: Hopkins Manufacturing Corporation, Emporia, Kans.

[57] CLAIM

[**] Term: 14 Years

The ornamental design for a snow brush with removable scraper and folding handle, as shown and described.

[21] Appl. No.: 715,373

DESCRIPTION

[22] Filed: Jun. 14, 1991

Related U.S. Application Data

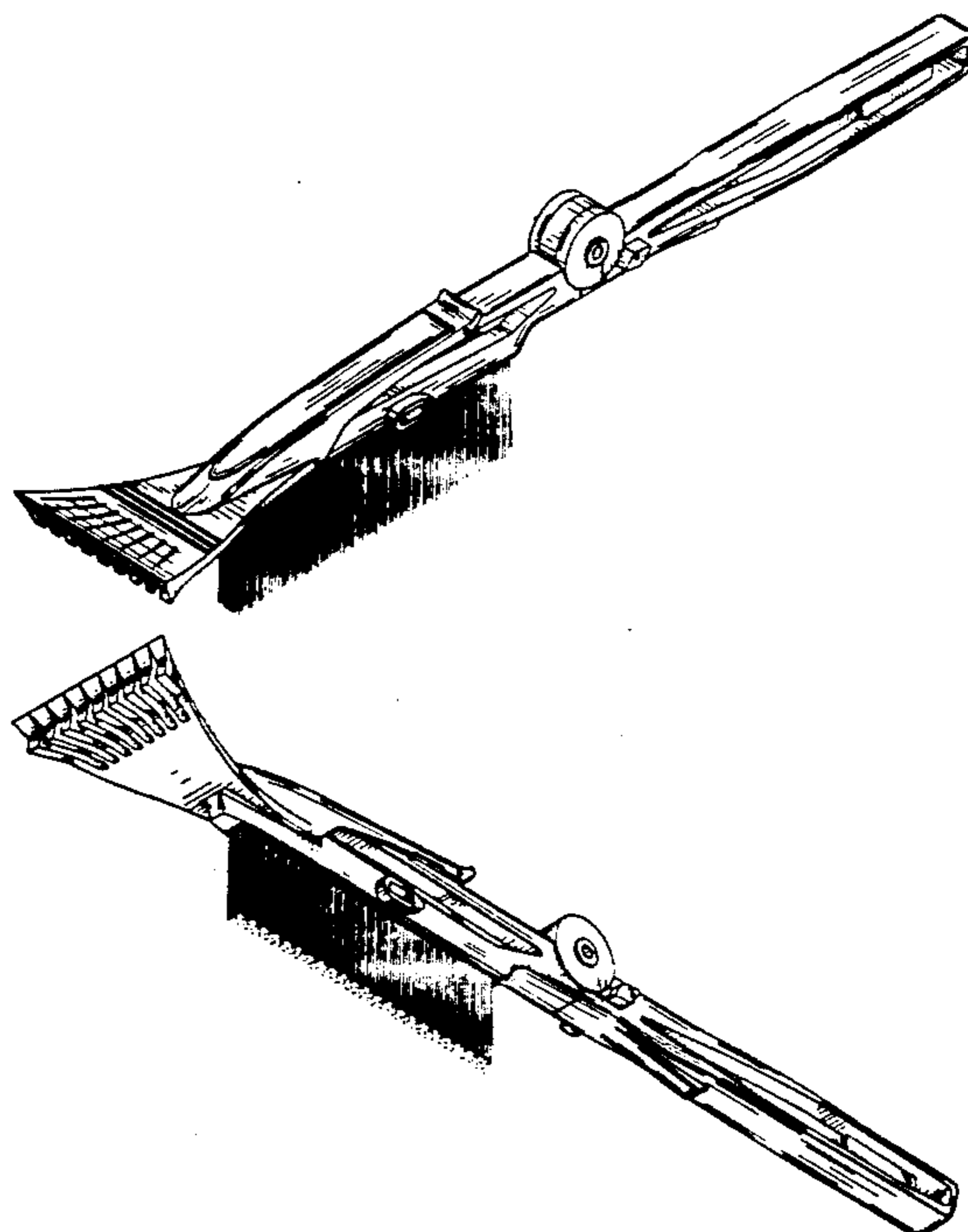
- [63] Continuation-in-part of Ser. No. 574,928, Aug. 30, 1990.
- [52] U.S. Cl. D4/118; D32/42; D32/48
- [58] Field of Search D4/116, 118, 121, 130, D4/134, 138, 199; D32/40, 42, 46, 48, 49; 15/105-106, 111, 143 R, 144 R, 159 R, 159 A, 160, 236.01, 236.02; 30/169

FIGS. 1A and 1B are respective fragmentary top plan views of a snow brush with removable scraper and folding handle showing our new design; FIGS. 2A and 2B are respective fragmentary bottom plan views thereof; FIGS. 3A and 3B are respective fragmentary side elevational views thereof; FIG. 4 is a front end elevational view of the claimed design shown in assembled condition; FIG. 5 is a rear end elevational view thereof; FIGS. 6A and 6B are respective fragmentary side elevational views of FIGS. 1A and AB respectively, FIG. 6A showing the scraper exploded from the snow brush; FIG. 7 is a side elevational view of the claimed design, shown with the scraper removed and the handle in a folded position; FIG. 8 is a side elevational view thereof, shown with the scraper attached to the side of the snow brush; FIG. 9 is a top plan view thereof; FIG. 10 is a bottom plan view thereof; FIG. 11 is a rear elevational view thereof; FIG. 12 is a front elevational view thereof; FIG. 13 is a top perspective view of FIG. 4; and, FIG. 14 is a bottom perspective view thereof.

[56] References Cited

U.S. PATENT DOCUMENTS

- | | | | |
|------------|---------|----------------|----------|
| 146,713 | 1/1874 | Ryan | 15/145 |
| D. 258,779 | 4/1981 | Hopkins et al. | D4/118 |
| D. 265,269 | 7/1982 | Frantz | D4/118 |
| D. 267,291 | 12/1982 | Hopkins et al. | D4/134 |
| D. 269,054 | 5/1983 | Bauer | D4/118 |
| D. 327,368 | 6/1992 | Zierhut | D4/121 |
| 511,769 | 1/1894 | Gladding | 15/145 |
| 1,887,913 | 1/1932 | Bell | 15/145 X |
| 2,719,995 | 5/1952 | Hohenstein | 15/105 |
| 2,792,584 | 8/1952 | Fryda | 15/236 |
| 3,017,649 | 1/1962 | Racicot | 15/105 |



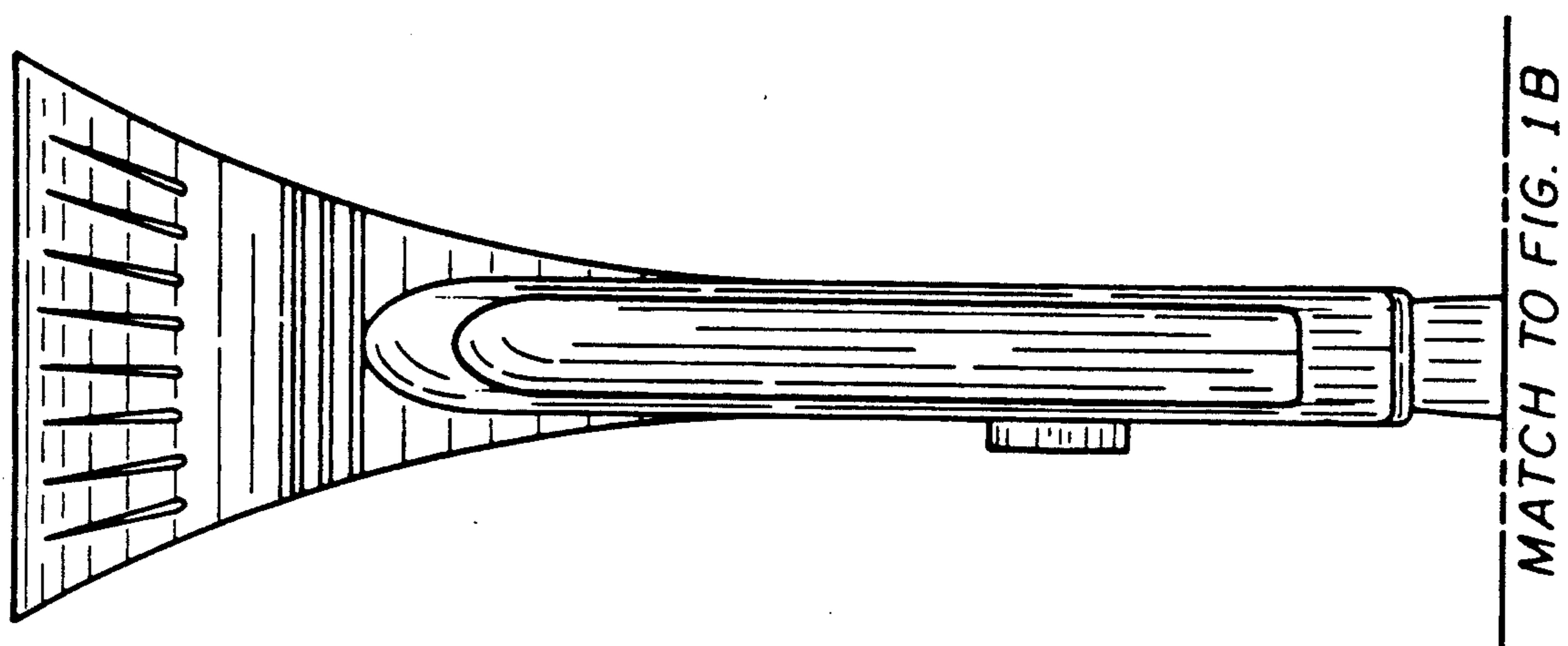


FIG. 1A

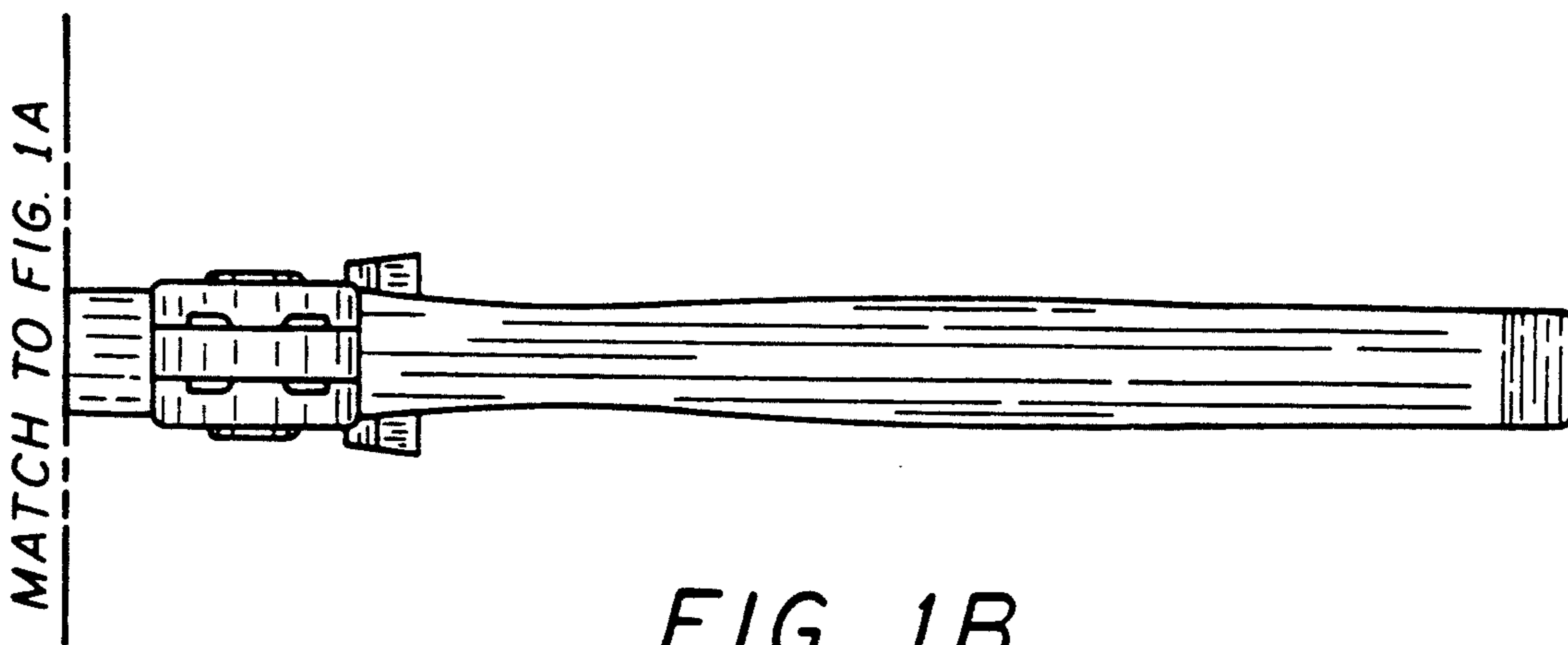


FIG. 1B

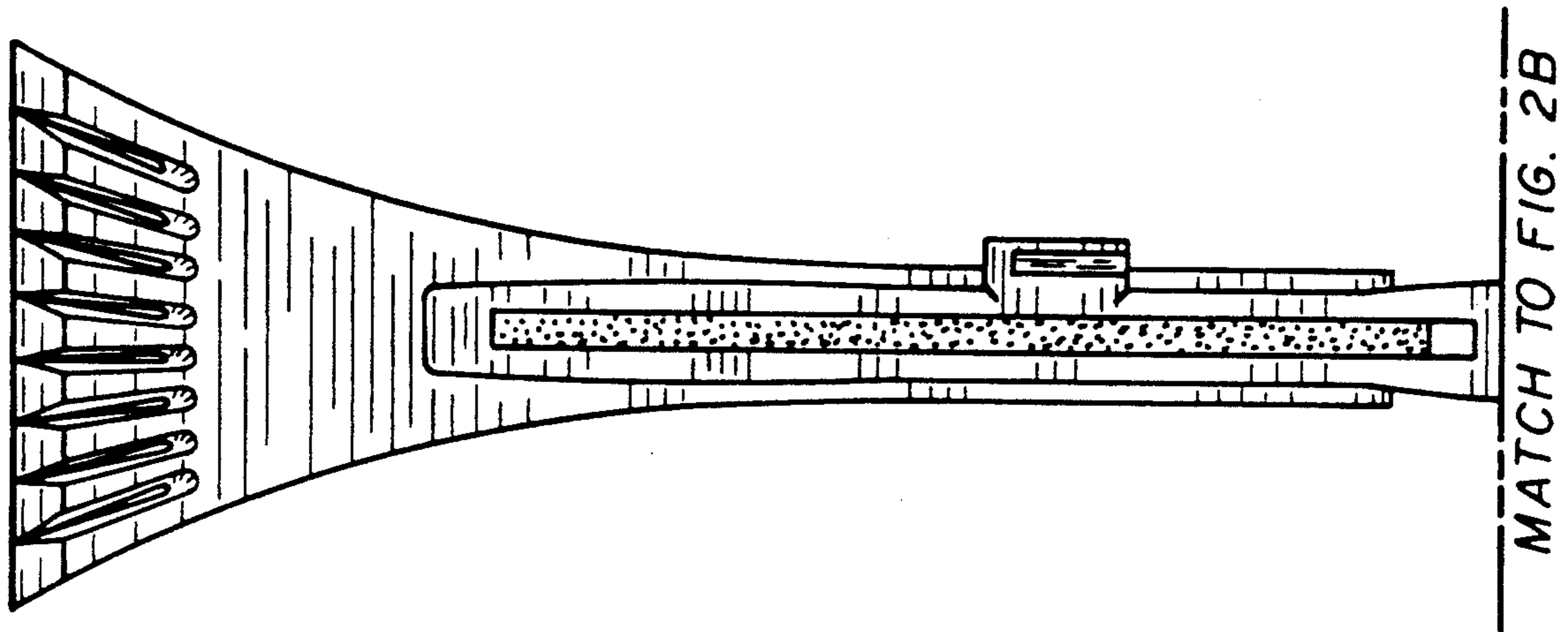


FIG. 2A

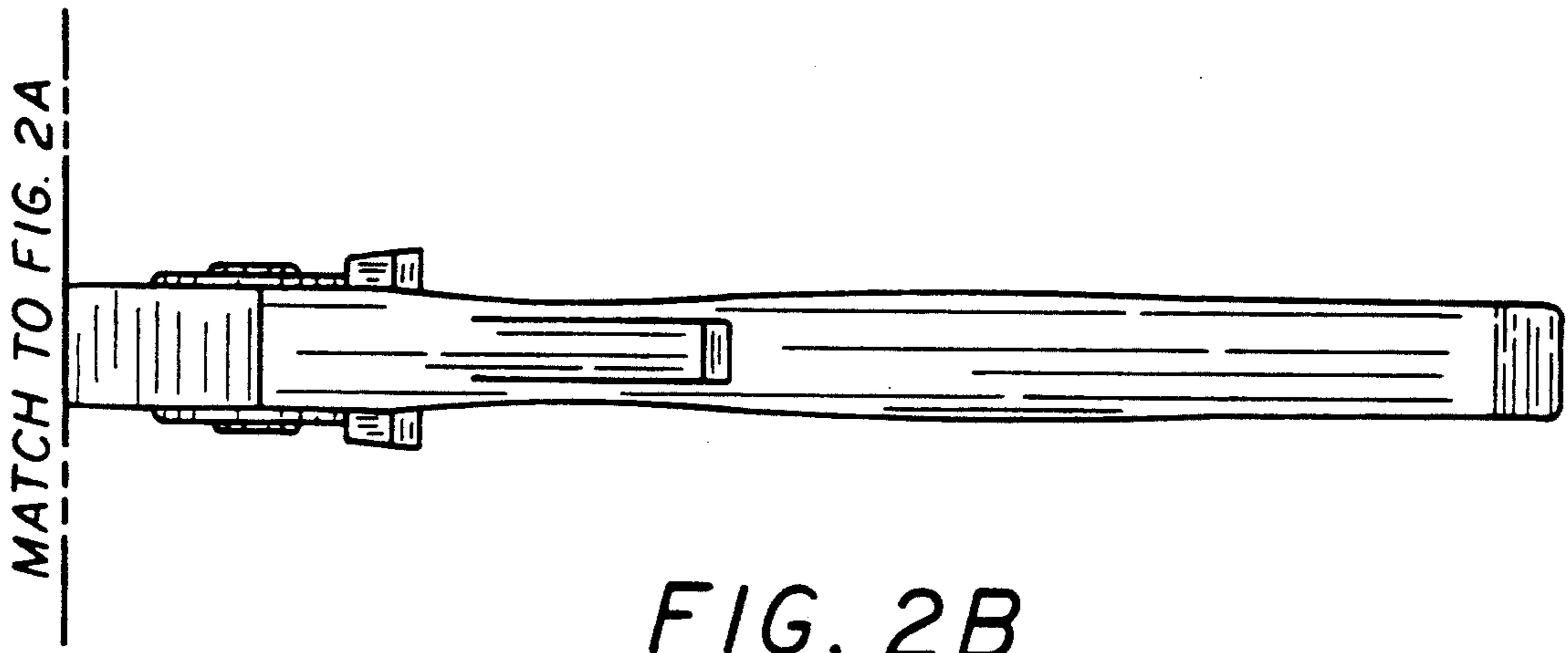


FIG. 2B

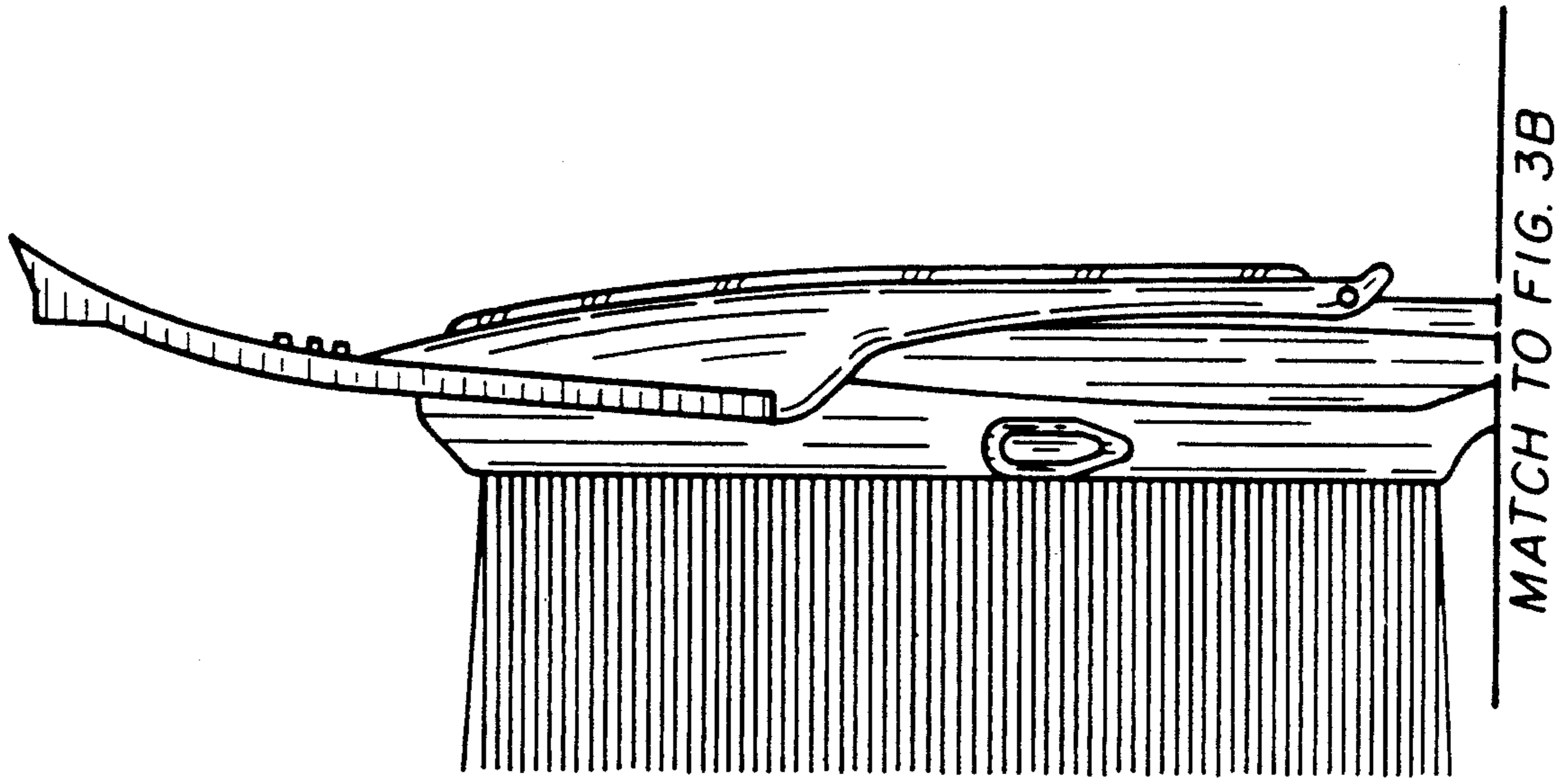


FIG. 3A

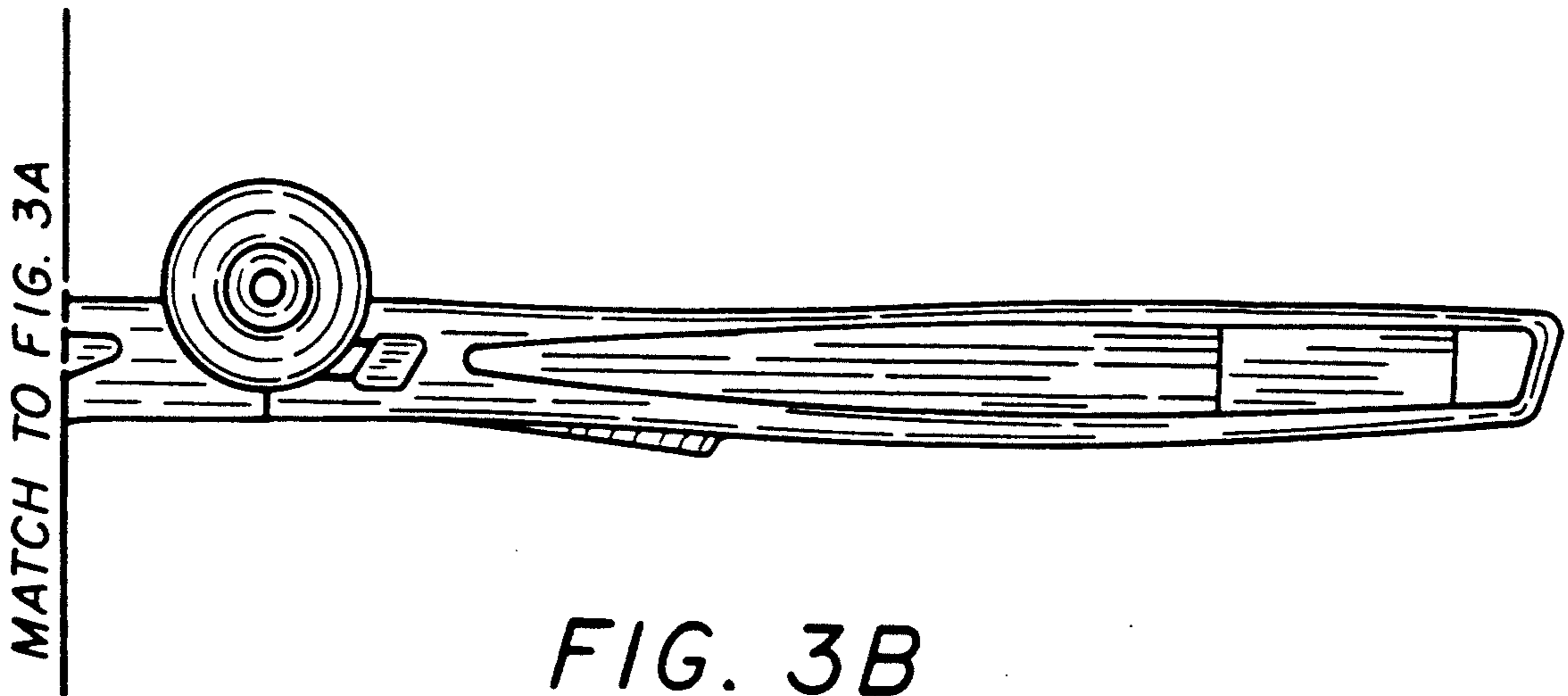


FIG. 3B

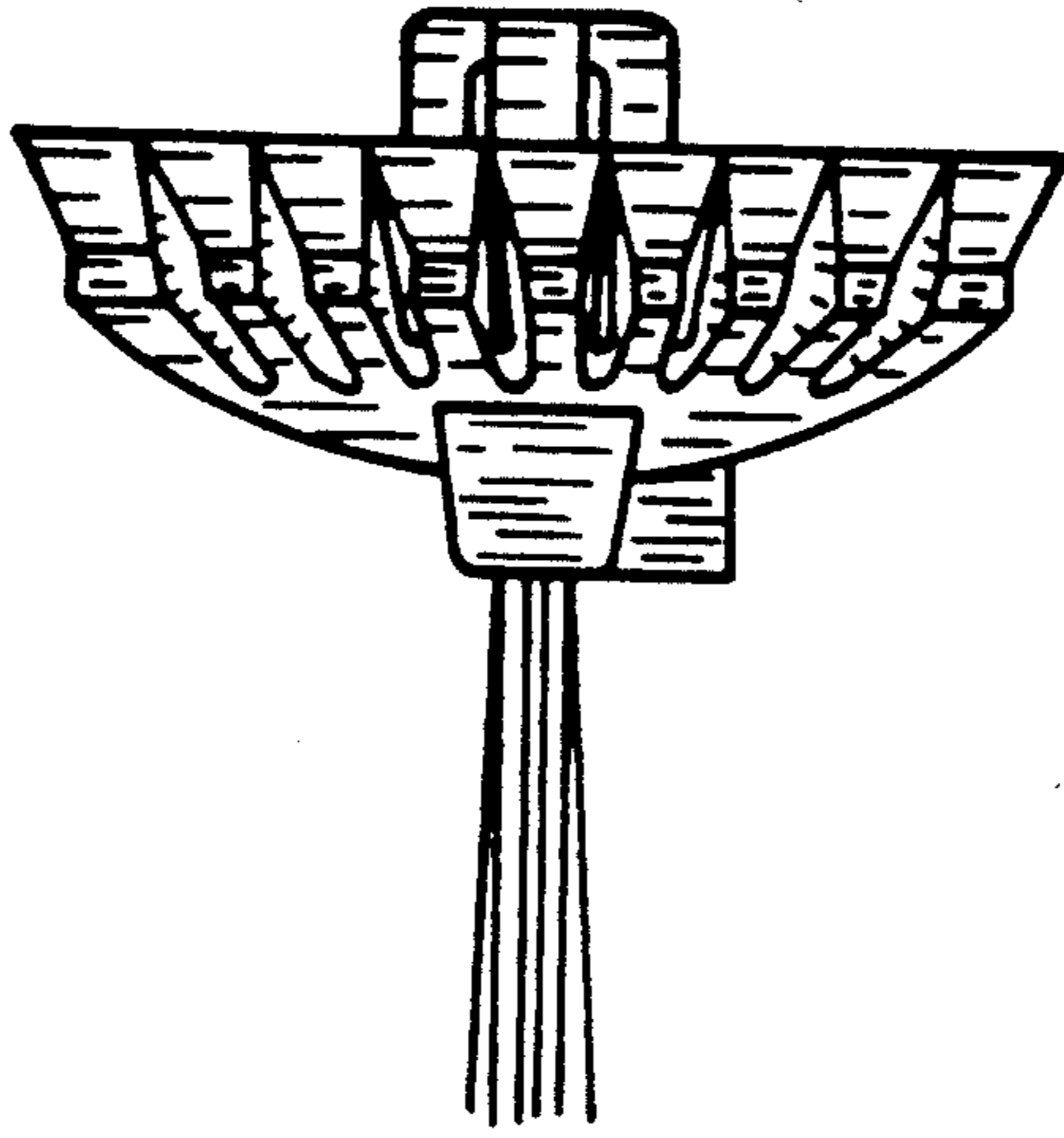


FIG. 4

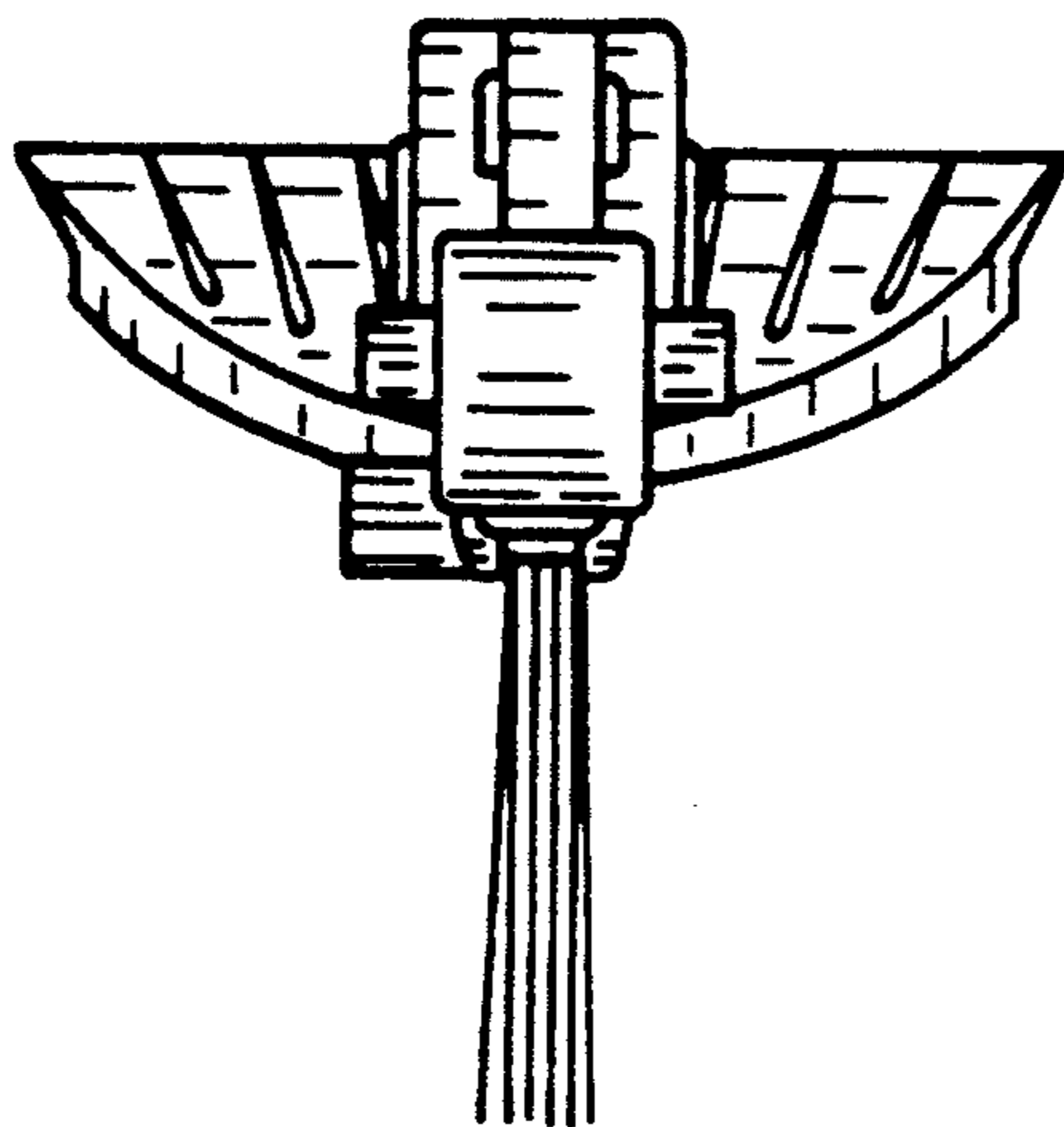


FIG. 5

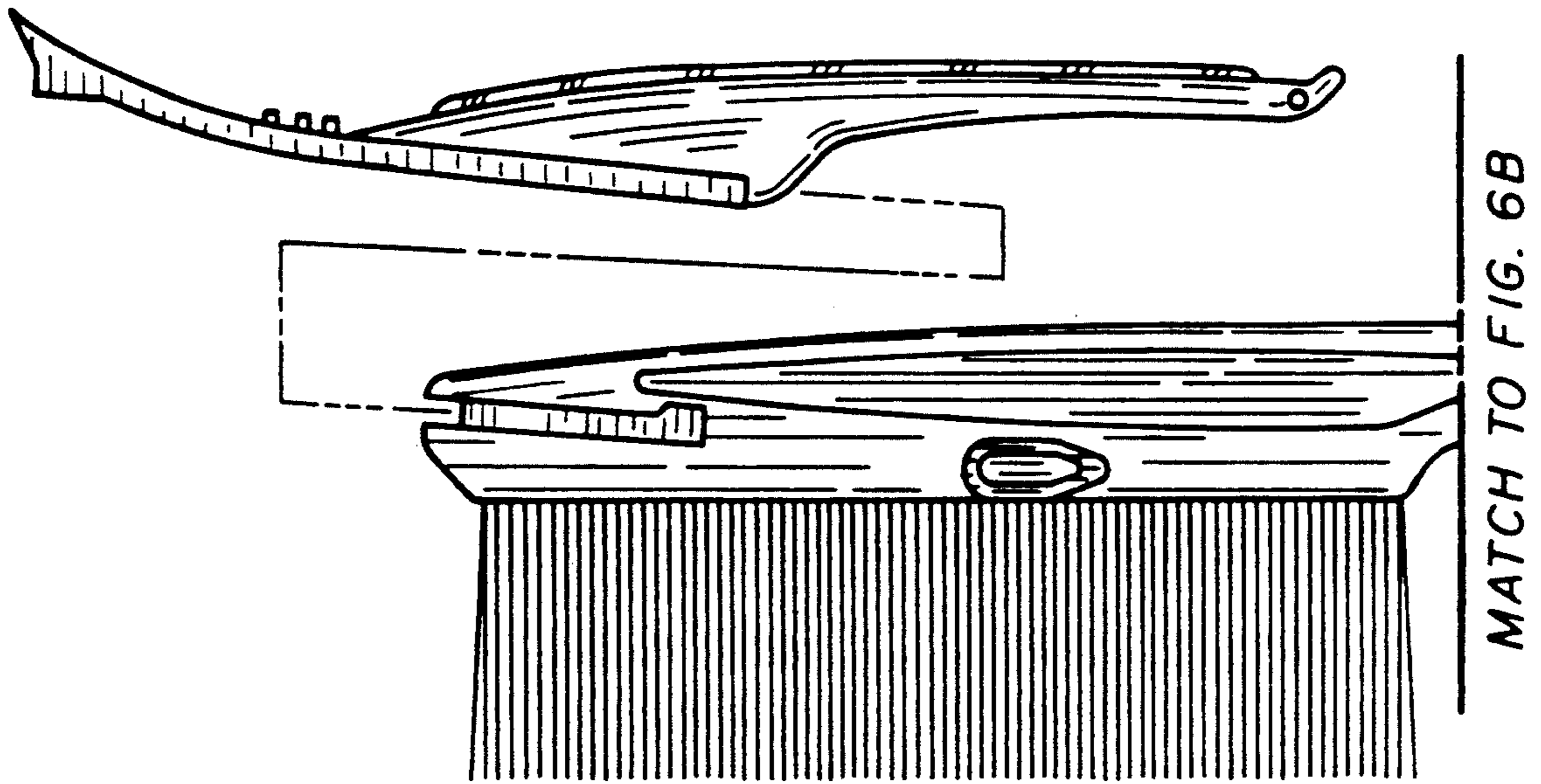


FIG. 6A

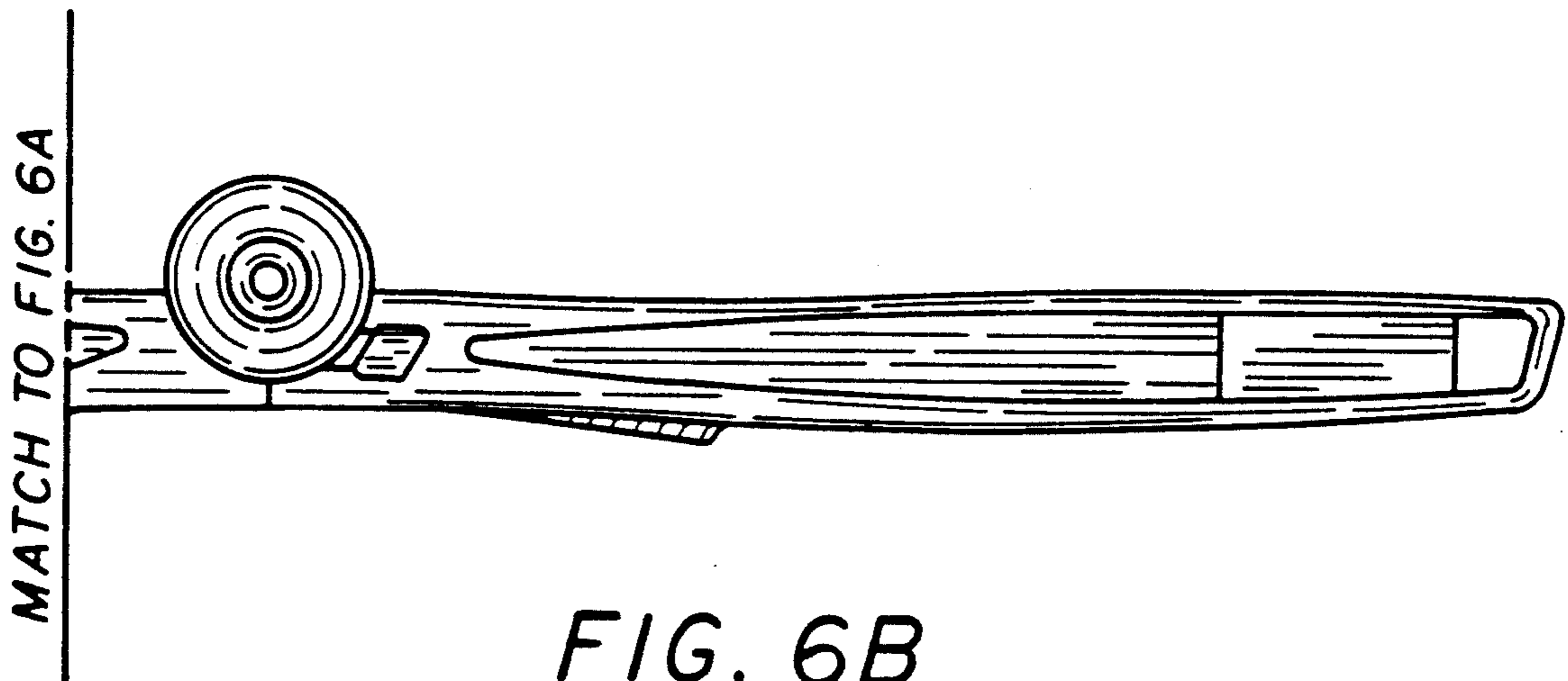


FIG. 6B

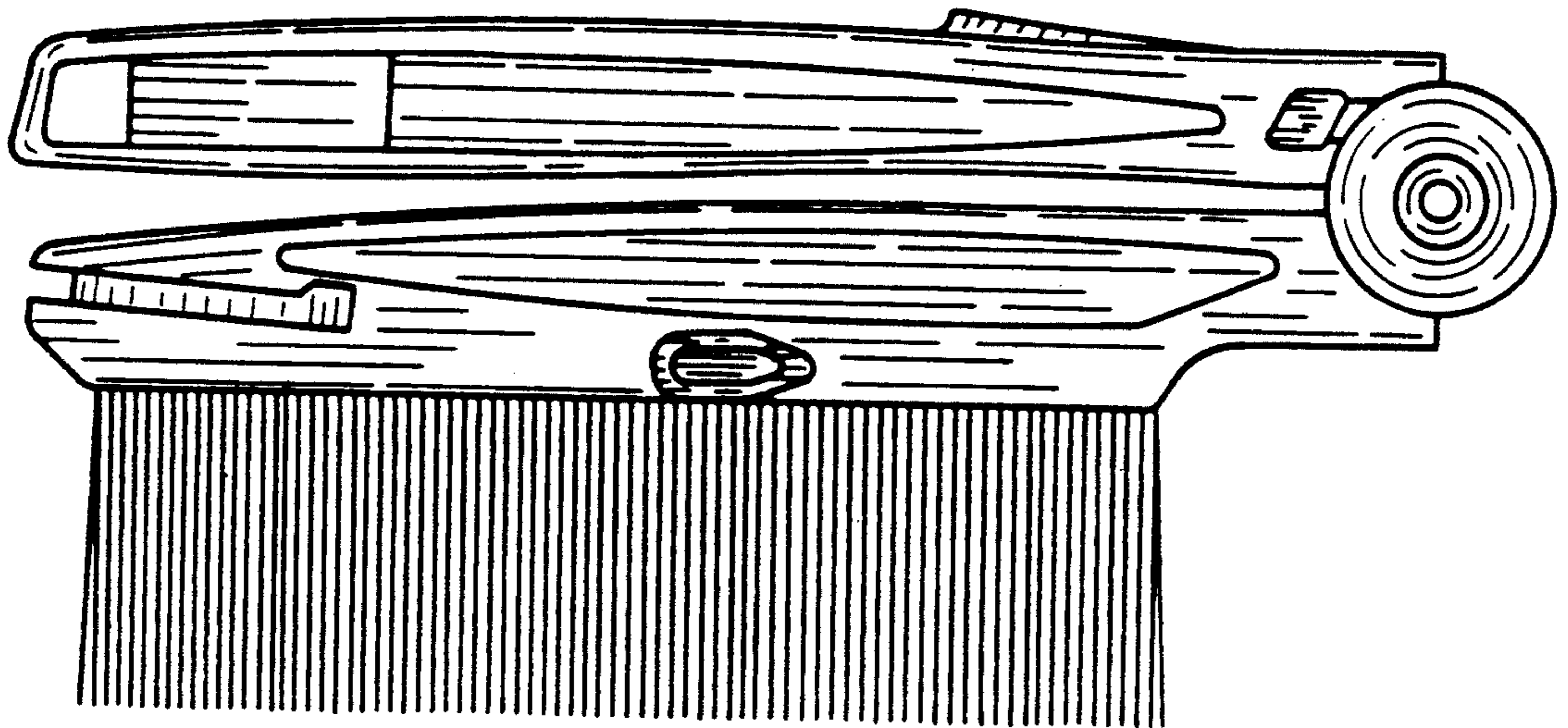


FIG. 7

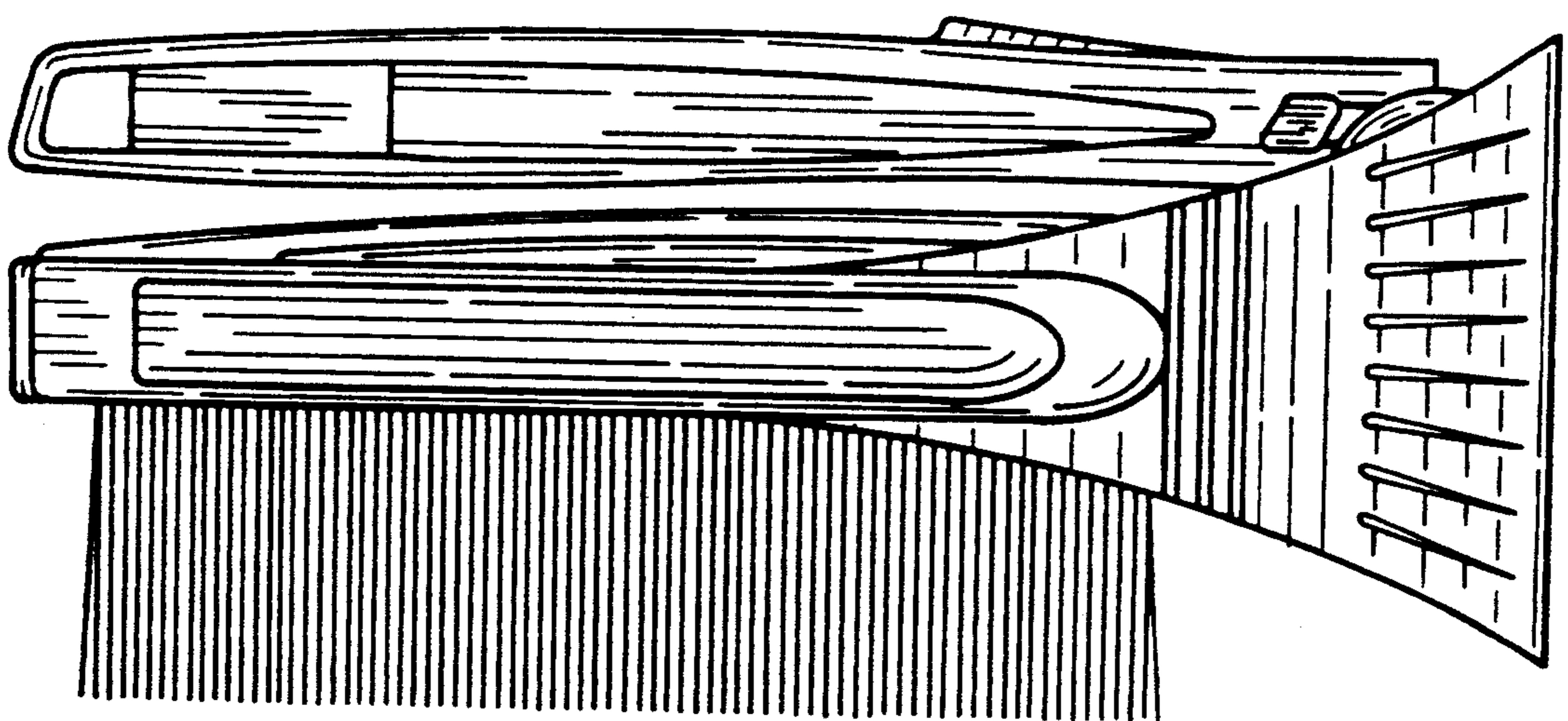


FIG. 8

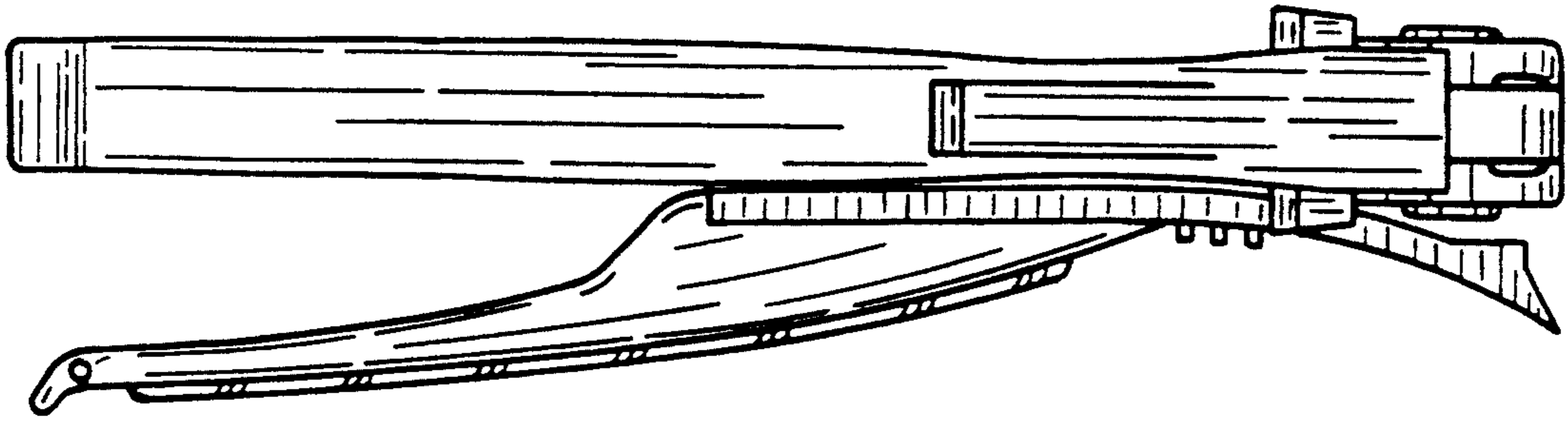


FIG. 9

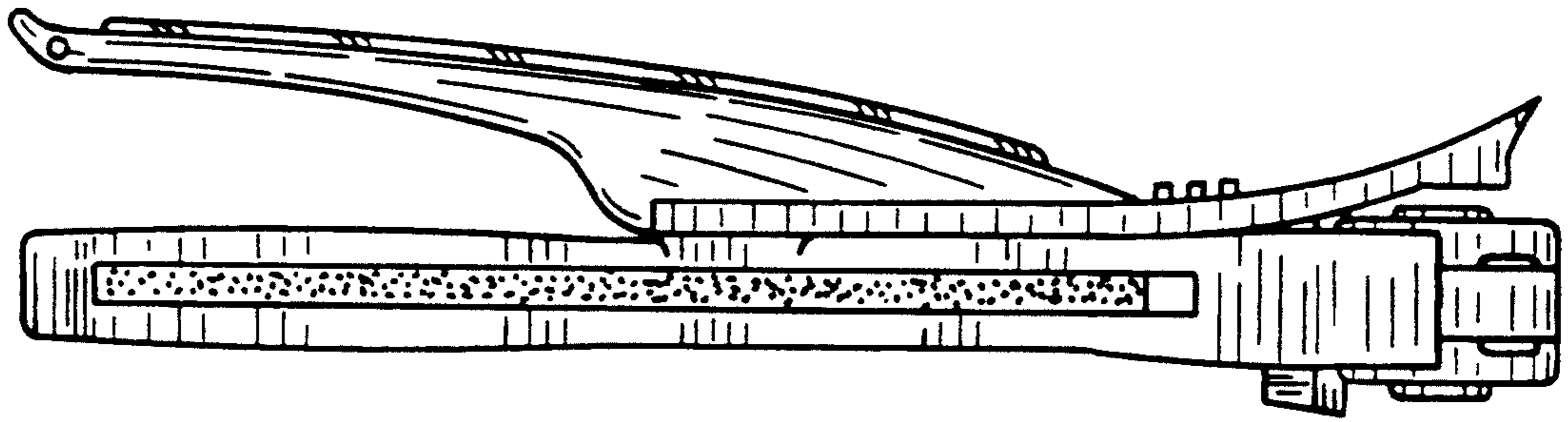


FIG. 10

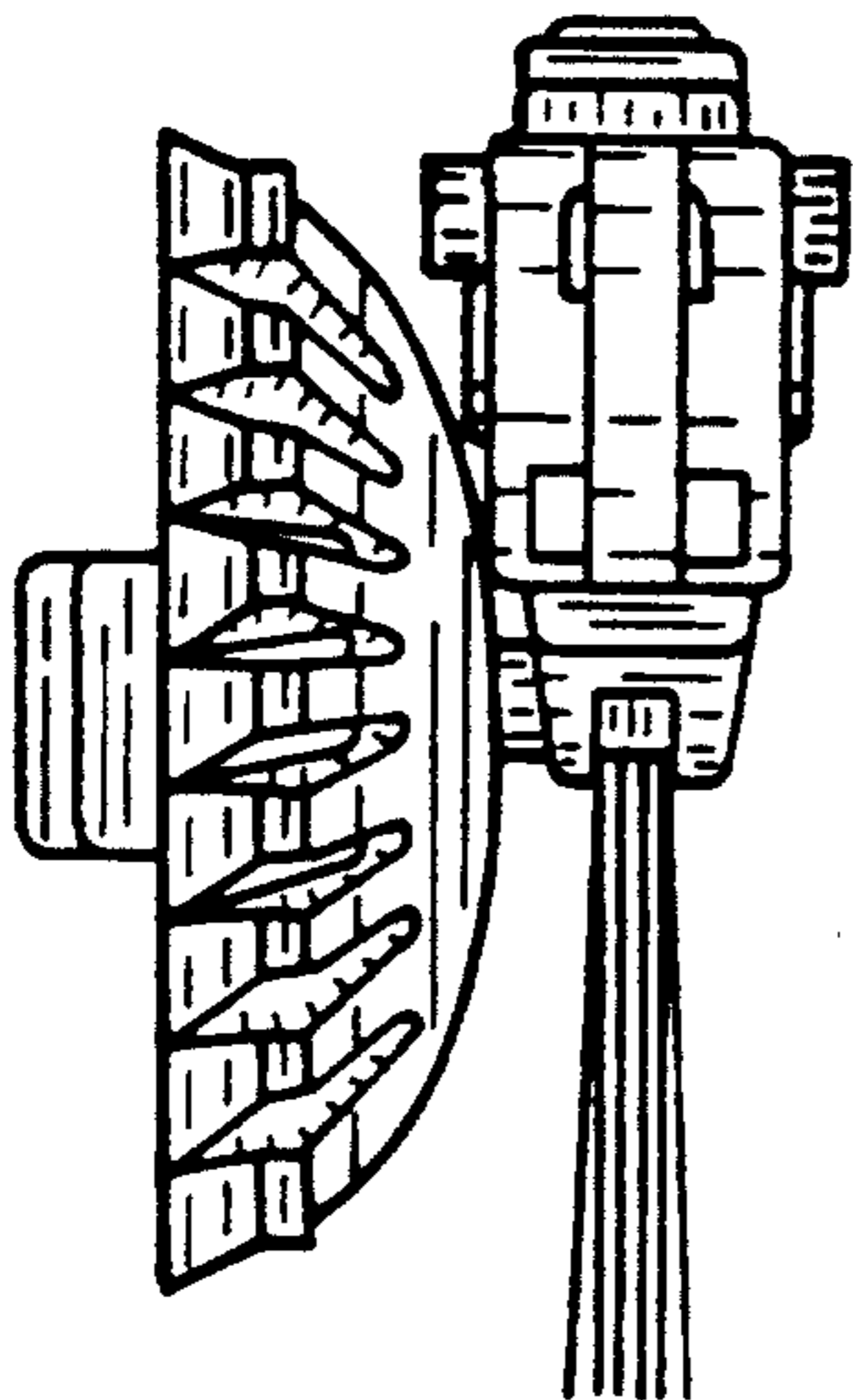


FIG. 11

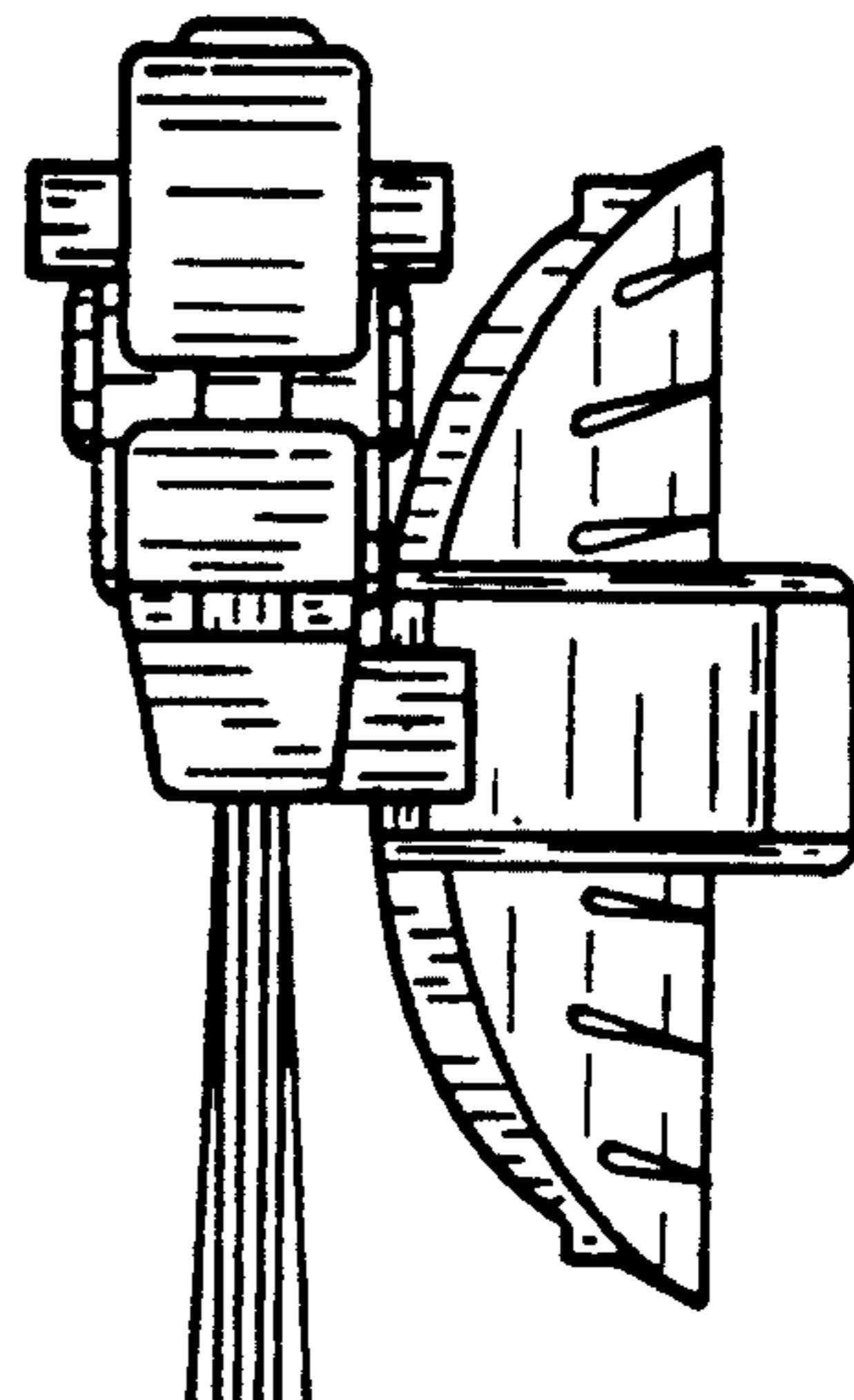


FIG. 12

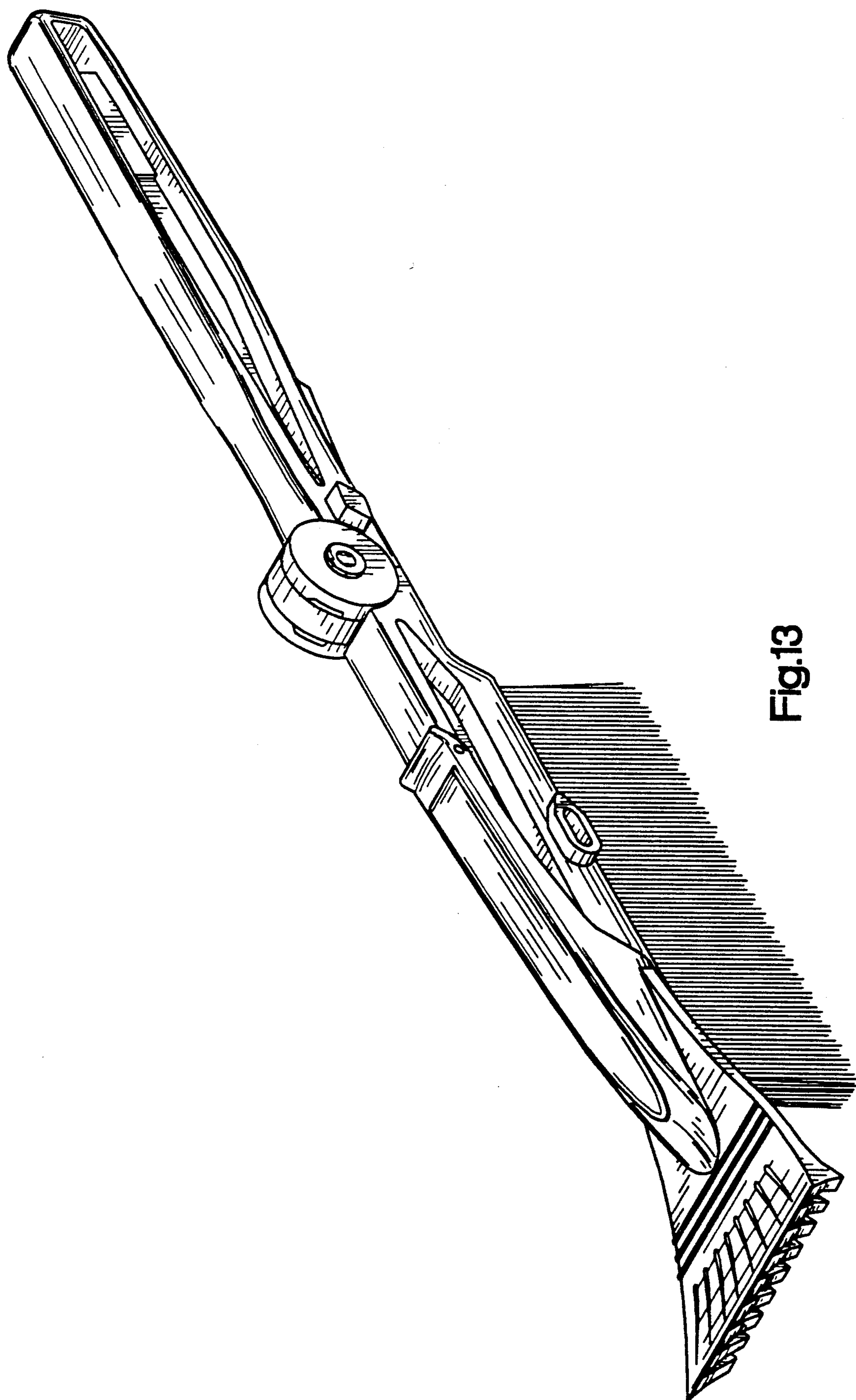


Fig.13

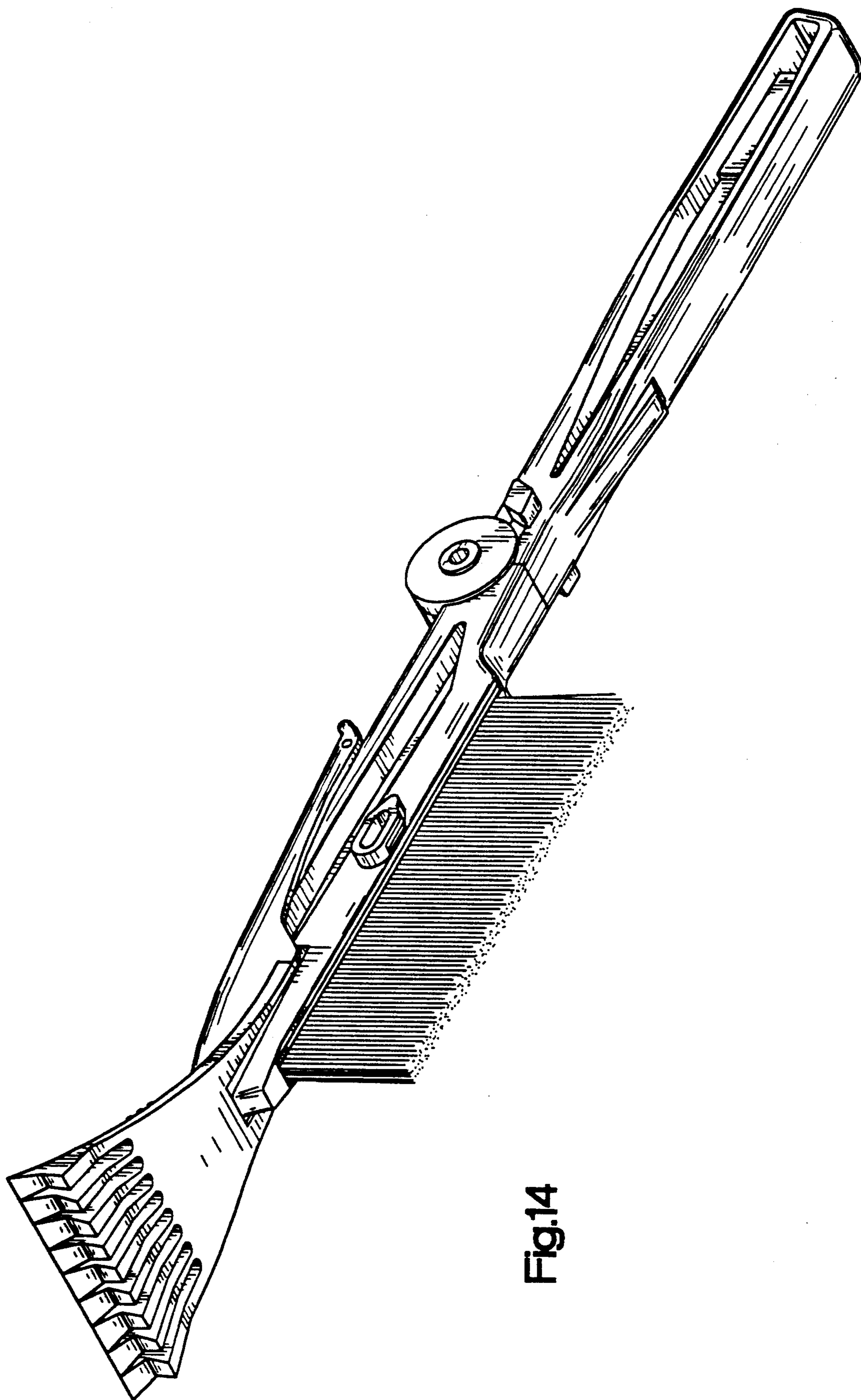


Fig.14