



US00D336777S

United States Patent [19]

[11] Patent Number: **Des. 336,777**

Ratzlaff

[45] Date of Patent: **** Jun. 29, 1993**

[54] STORAGE CASE FOR BINOCULARS

[75] Inventor: **Jörg Ratzlaff**, Altensteig, Fed. Rep. of Germany

[73] Assignee: **Carl-Zeiss-Stiftung**, Heidenheim/Brenz, Fed. Rep. of Germany

[**] Term: **14 Years**

[21] Appl. No.: **709,391**

[22] Filed: **May 31, 1991**

[30] Foreign Application Priority Data

Dec. 8, 1990 [DE] Fed. Rep. of Germany 9008107
[52] U.S. Cl. **D3/33; D3/30.1; D3/74**

[58] Field of Search D3/30.1, 33, 34, 73, D3/74, 76, 100; D16/133, 136, 204, 208, 235; 190/901, 902; 206/316.2, 316.3; 224/908, 909

[56] References Cited

U.S. PATENT DOCUMENTS

D. 175,130	7/1955	Roth	D3/33
3,281,106	10/1966	Bogdonovich	224/909
3,910,470	10/1975	Swenson et al.	206/316.2
4,557,451	12/1985	Conway	206/316.3
4,865,191	9/1989	Easter	206/316.3
4,984,879	6/1991	Winstead	D3/33

FOREIGN PATENT DOCUMENTS

0968239 1/1958 Fed. Rep. of Germany ... 206/316.2
2074017 10/1981 United Kingdom 206/316.2

OTHER PUBLICATIONS

Hammacher Schlemmer: Holiday Catalog, p. 18, "Focus Free Binoculars".

Primary Examiner—A. Hugo Word

Assistant Examiner—Celia A. Murphy

Attorney, Agent, or Firm—Hopgood, Calimafde, Kalil, Blaustein & Judlowe

[57] CLAIM

The ornamental design for a storage case for binoculars, as shown and described.

DESCRIPTION

FIG. 1 is a front perspective view of a storage case for binoculars showing my new design, the inner portion which is not shown being substantially identical to the visible side except for the inner scored lines;

FIG. 2 is a top plan view thereof;

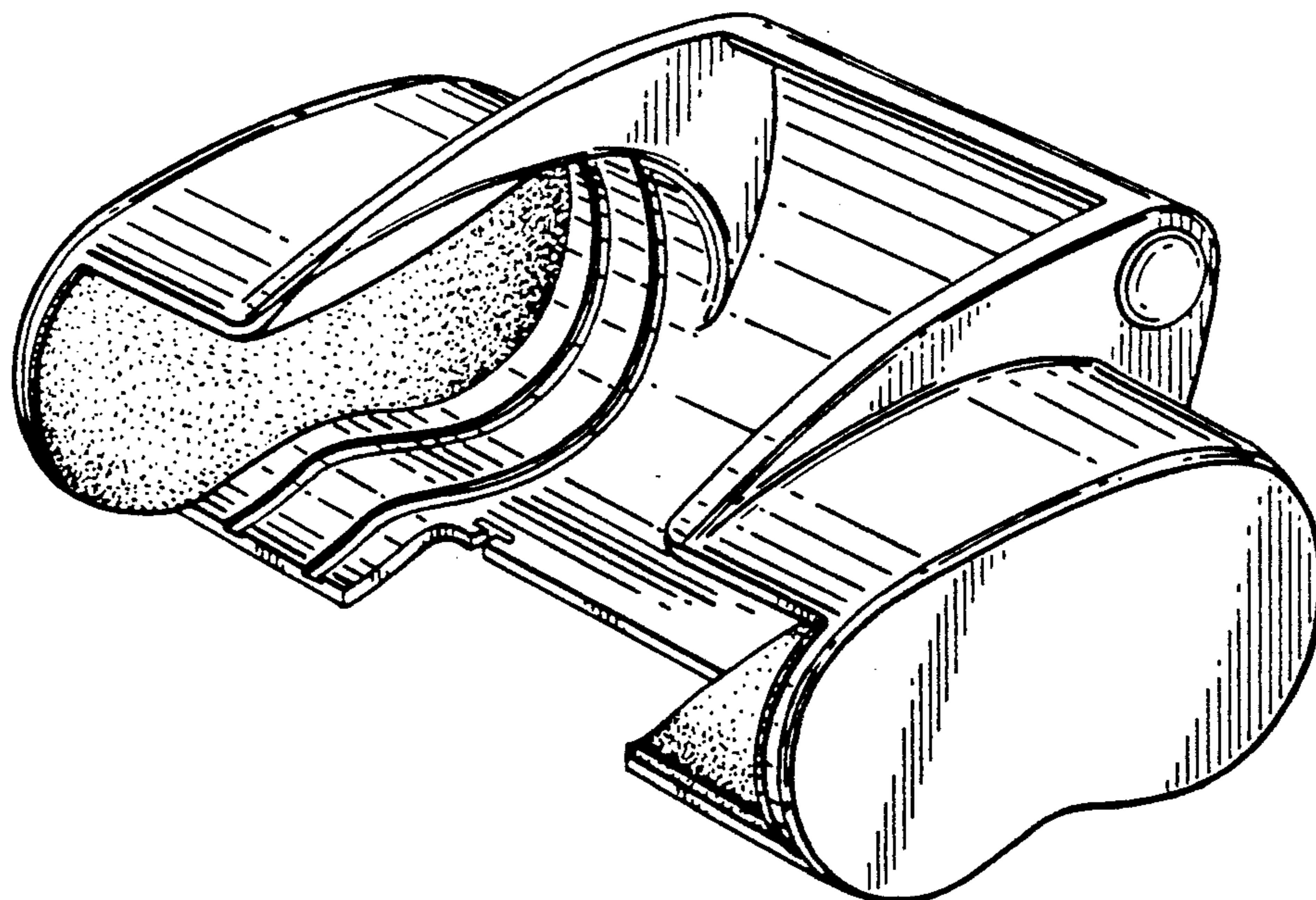
FIG. 3 is a bottom plan view thereof;

FIG. 4 is a front-elevational view thereof;

FIG. 5 is a right side elevational view thereof;

FIG. 6 is a left side elevational view thereof; and,

FIG. 7 is a rear-elevational view thereof.



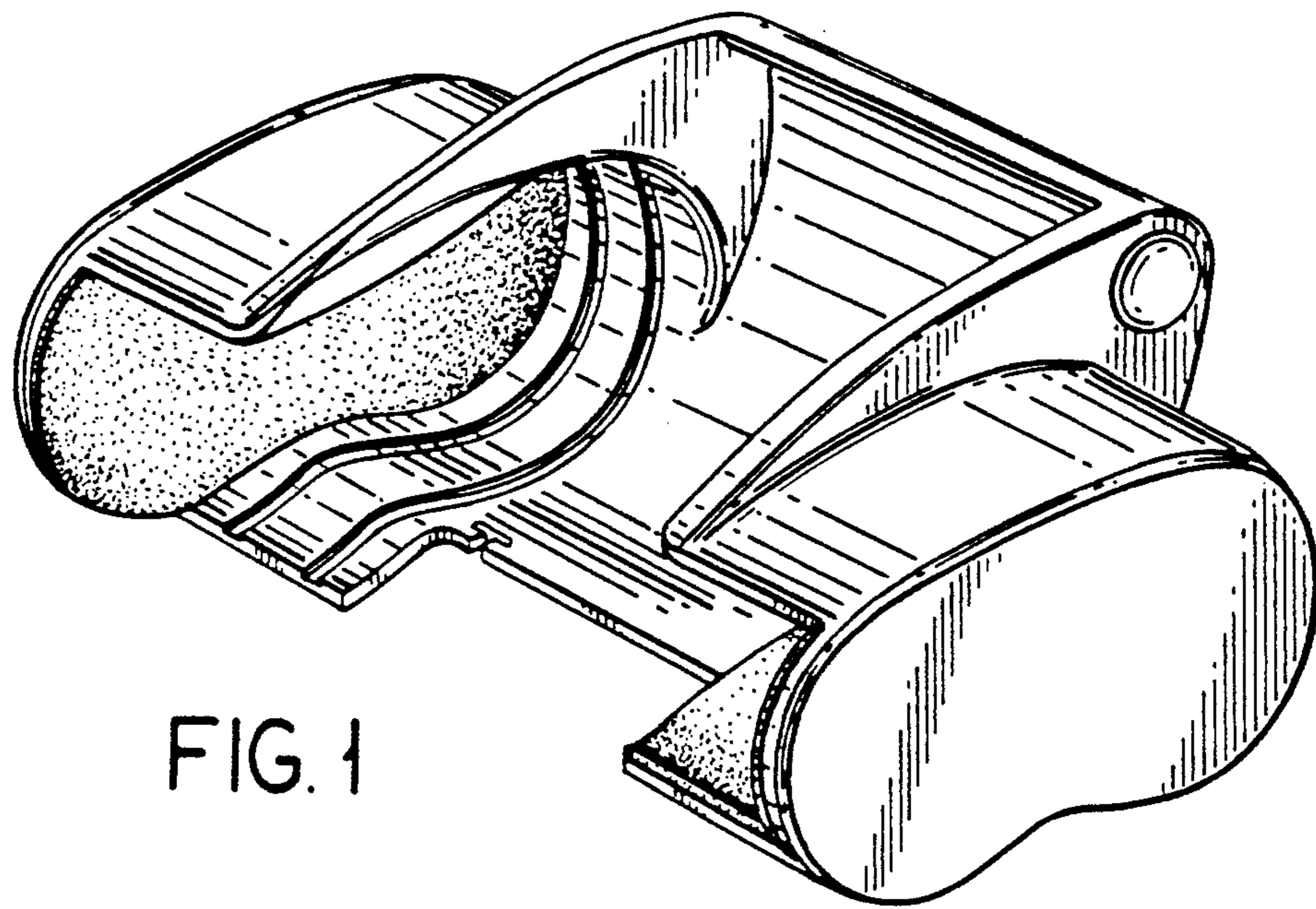


FIG. 1

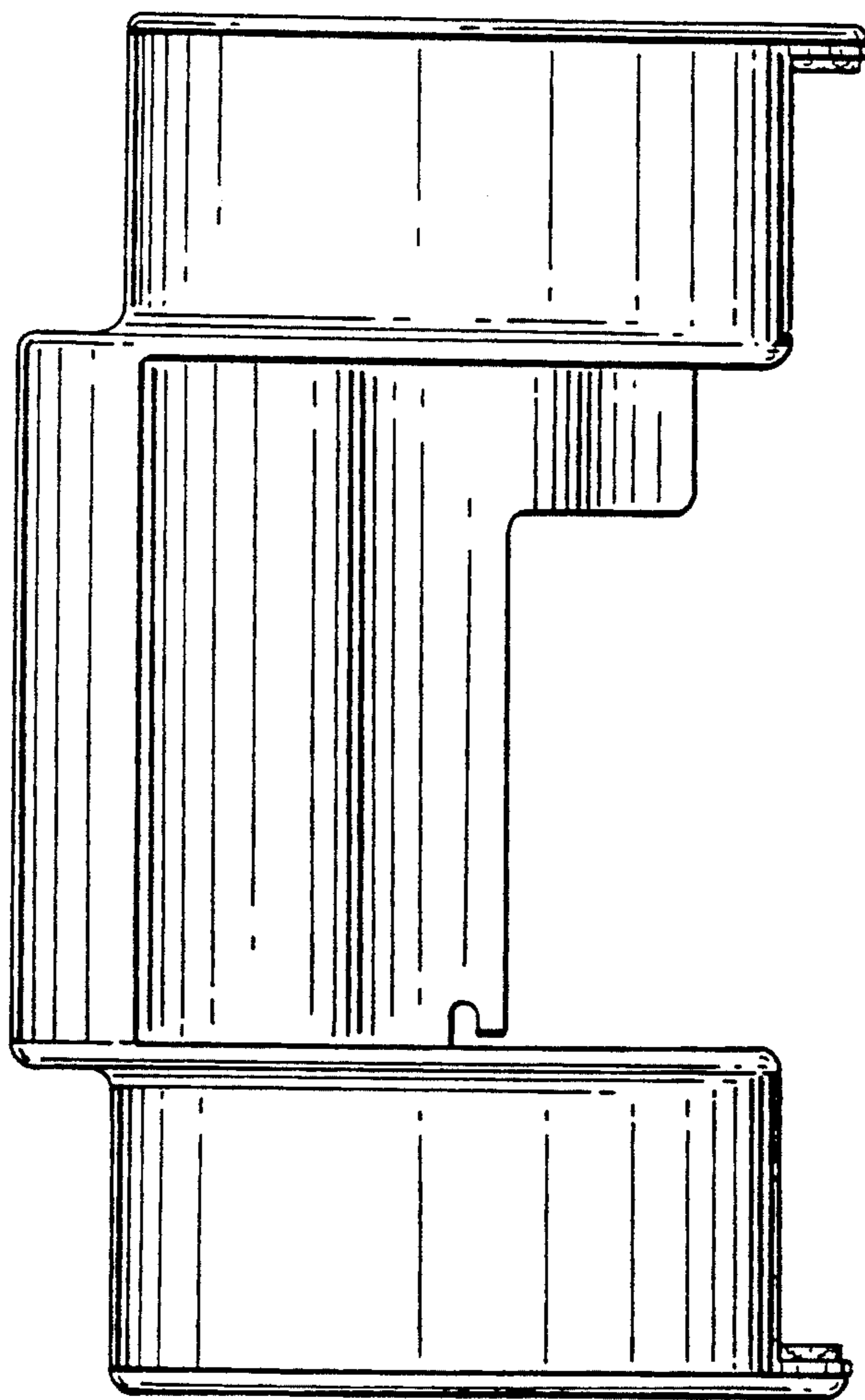
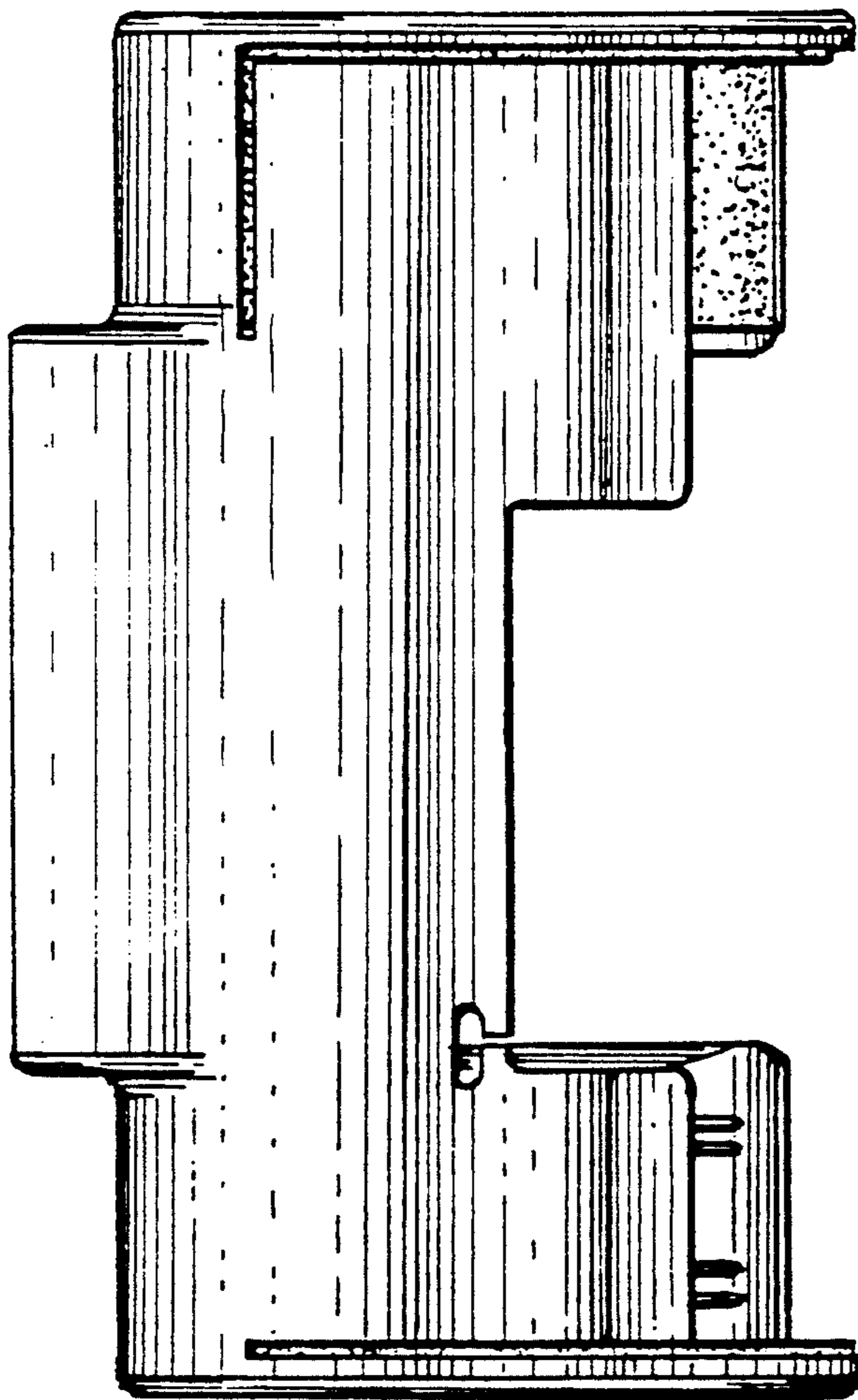


FIG. 2

FIG. 3



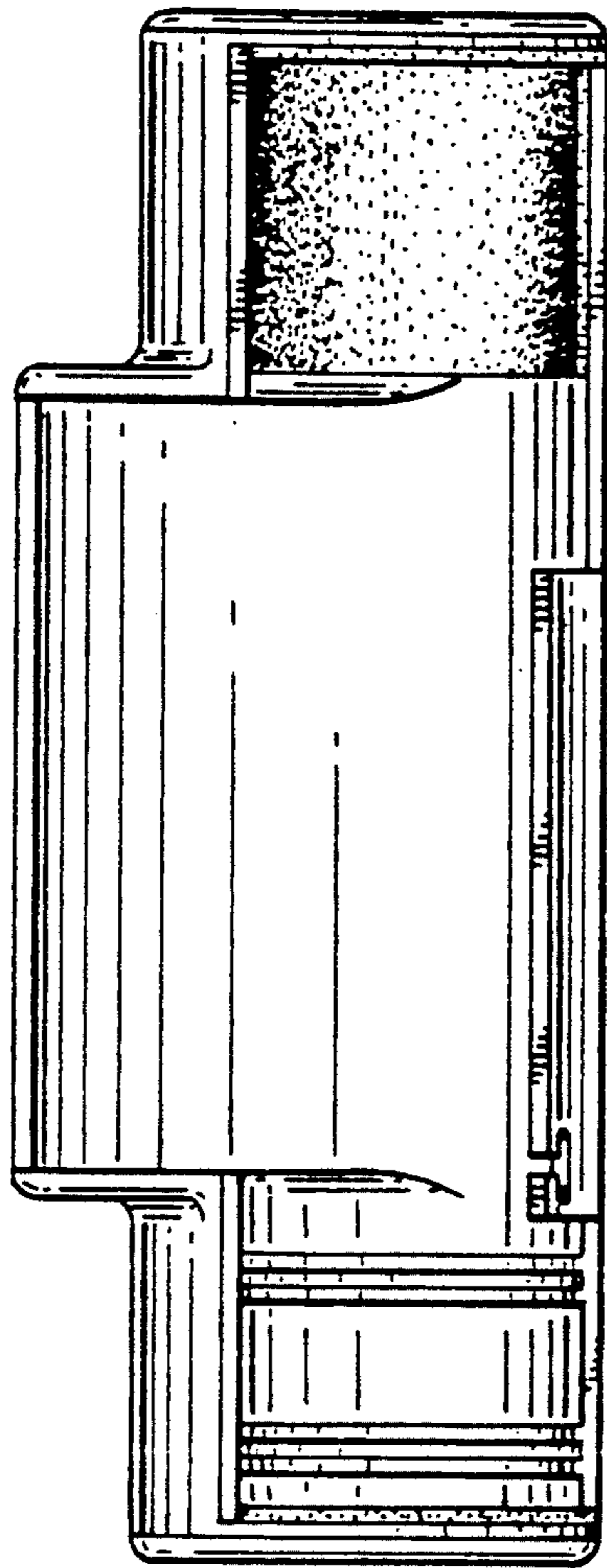


FIG. 4

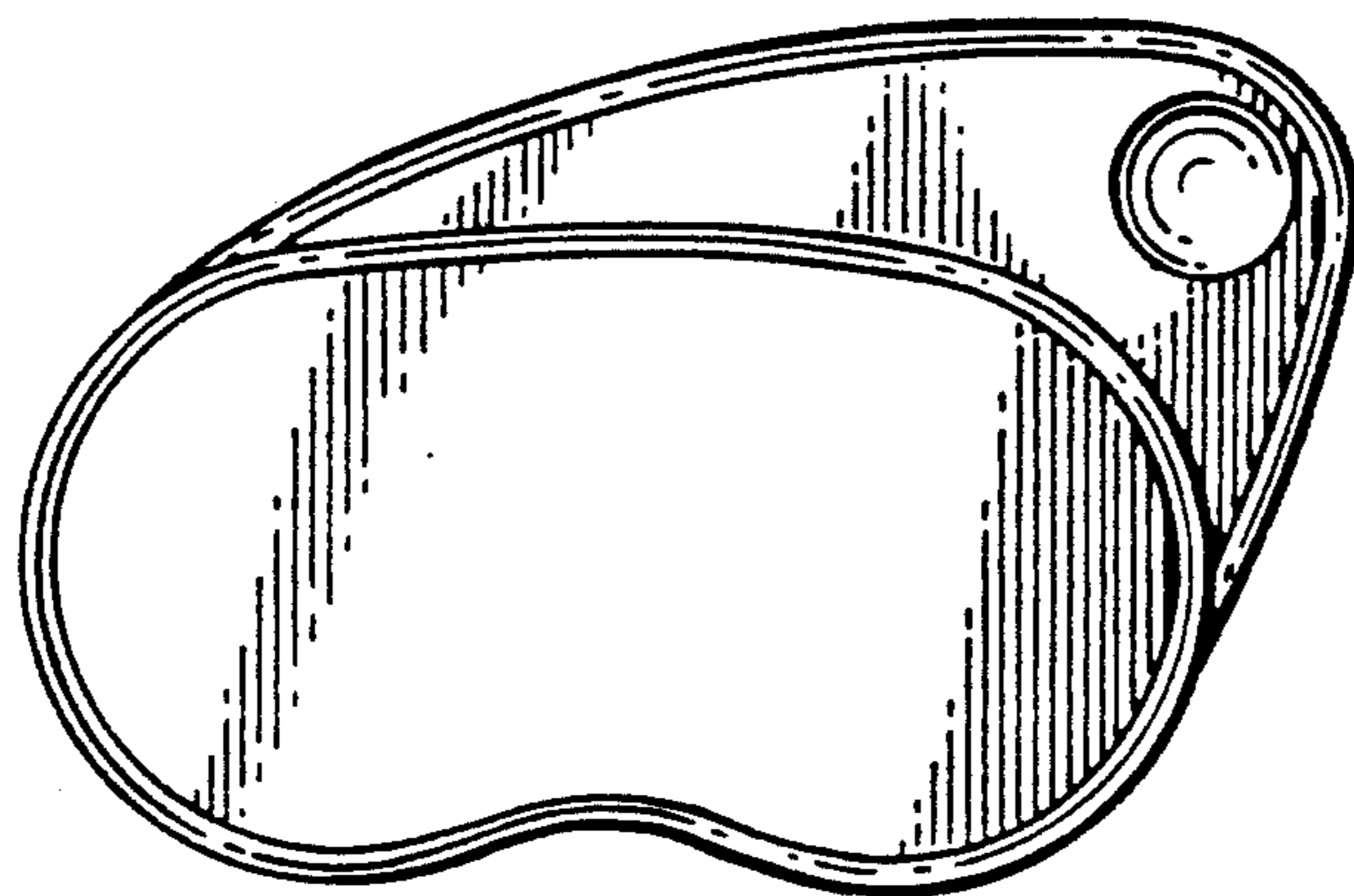


FIG. 5

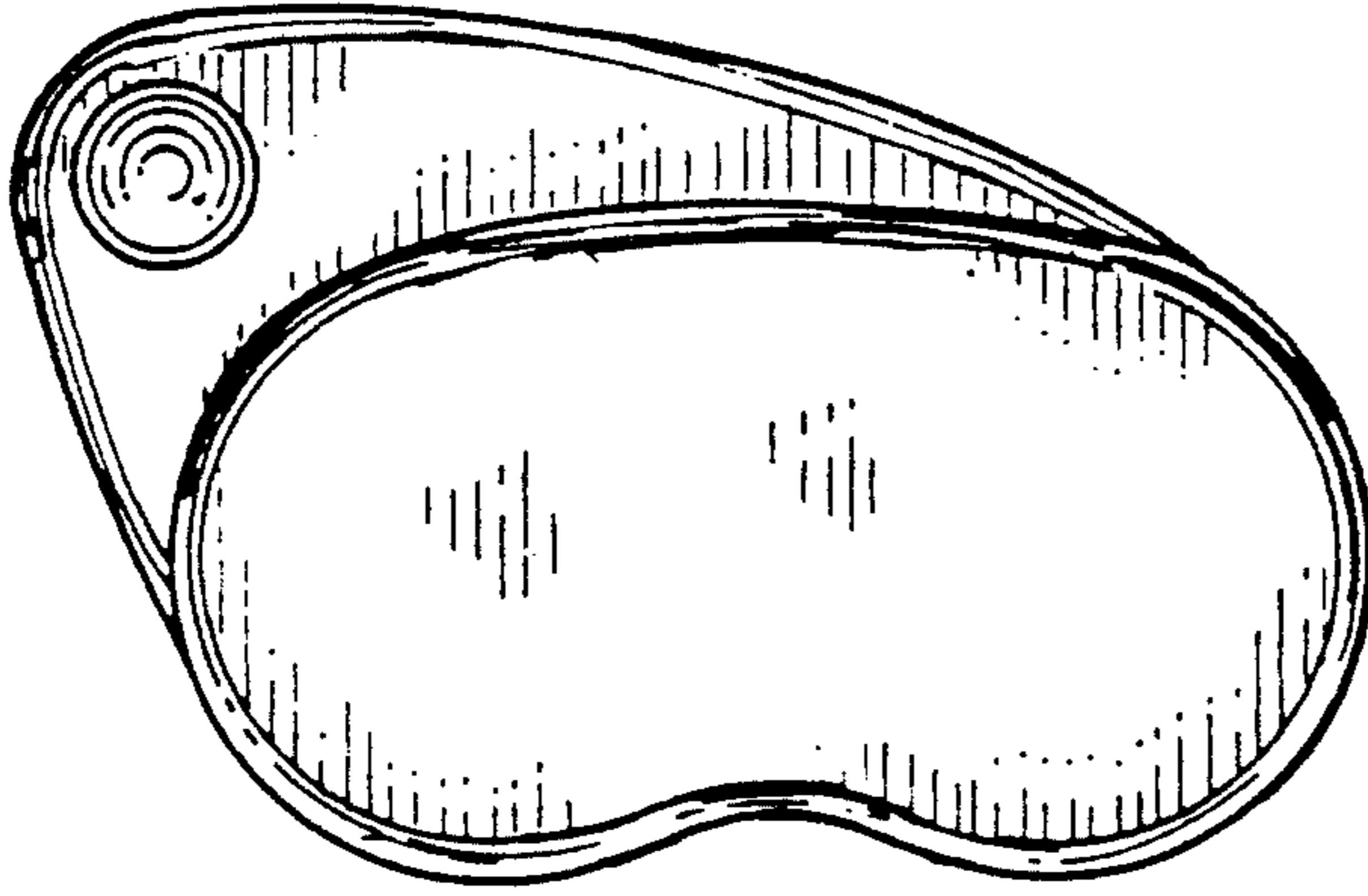


FIG. 6

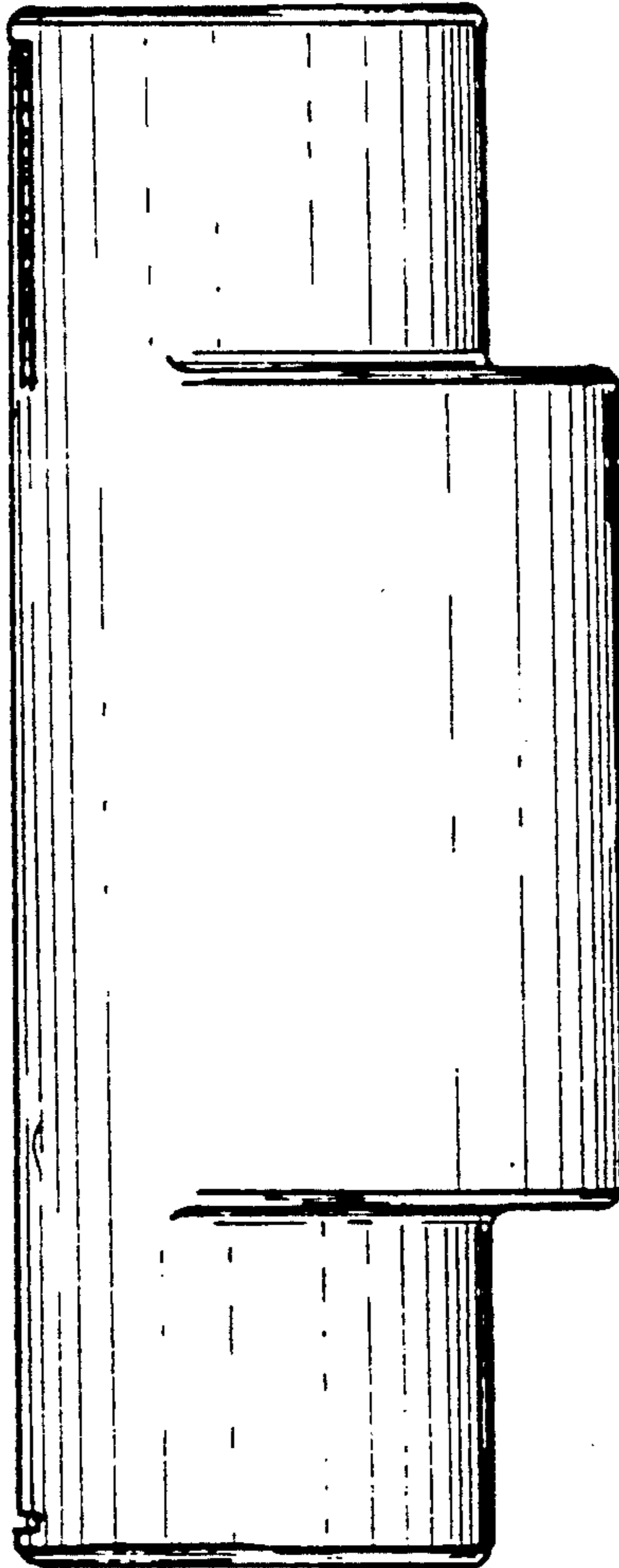


FIG. 7