



US00D336775S

# United States Patent [19] Smith

[11] Patent Number: **Des. 336,775**

[45] Date of Patent: **\*\* Jun. 29, 1993**

[54] **OUTSOLE**

[75] Inventor: **Wilson W. Smith, Beaverton, Oreg.**

[73] Assignee: **Nike, Inc., Beaverton, Oreg.**

[\*\*] Term: **14 Years**

[21] Appl. No.: **878,508**

[22] Filed: **May 5, 1992**

[52] U.S. Cl. .... **D2/320**

[58] Field of Search ..... **D2/264, 265, 274, 311, D2/318-323; 36/25 R, 28, 29, 32 R, 43, 44, 59 R, 59 C, 83, 84, 89, 101-107, 112-114, 132, 136**

[56] **References Cited**

**U.S. PATENT DOCUMENTS**

D. 107,977	1/1938	Tousley .	
D. 266,798	11/1982	Famolare, Jr. ....	D2/320
D. 267,288	12/1982	Davis .....	D2/320
D. 307,212	4/1990	Aveni .....	D2/320
D. 308,908	7/1990	Kiyosawa .	
D. 309,369	7/1990	Issler .	
D. 309,669	7/1990	Arai .	
D. 311,990	11/1990	Hatfield .	
D. 312,920	12/1990	Aveni .	
D. 313,113	12/1990	Aveni .	
D. 313,114	12/1990	Aveni .	
D. 315,443	3/1991	Hatfield .....	D2/320
D. 316,175	4/1991	Legacki et al. .	
D. 316,324	4/1991	Rogers .	
D. 317,828	7/1991	Rogers .....	D2/320
D. 318,753	8/1991	Hatfield .....	D2/320
D. 319,534	9/1991	Rogers .....	D2/320
D. 321,590	11/1991	Smith, III .....	D2/320
D. 321,978	12/1991	Hatfield .....	D2/320
D. 323,423	1/1992	Rogers .....	D2/320
D. 323,927	2/1992	Rogers .....	D2/320
D. 325,667	4/1992	Smith, III .....	D2/320
D. 326,180	5/1992	Rogers .....	D2/320
D. 326,558	6/1992	Hatfield .....	D2/320
D. 329,535	9/1992	Greene .....	D3/320
D. 330,454	10/1992	Elliot .....	D2/320

**OTHER PUBLICATIONS**

- The 1982 Nike Shoe Show Catalog, p. 1.
- The Nike Footwear Fall 1989 Catalog, p. 26.
- The Nike Spring 1989 Catalog, p. 30.
- The Nike Spring 1991 Catalog, p. 42.
- The Nike Fall 1991 Catalog, p. 82.
- The Nike Spring 1992 Catalog, p. 62.
- The Nike Fall 1992 Catalog, p. 32.

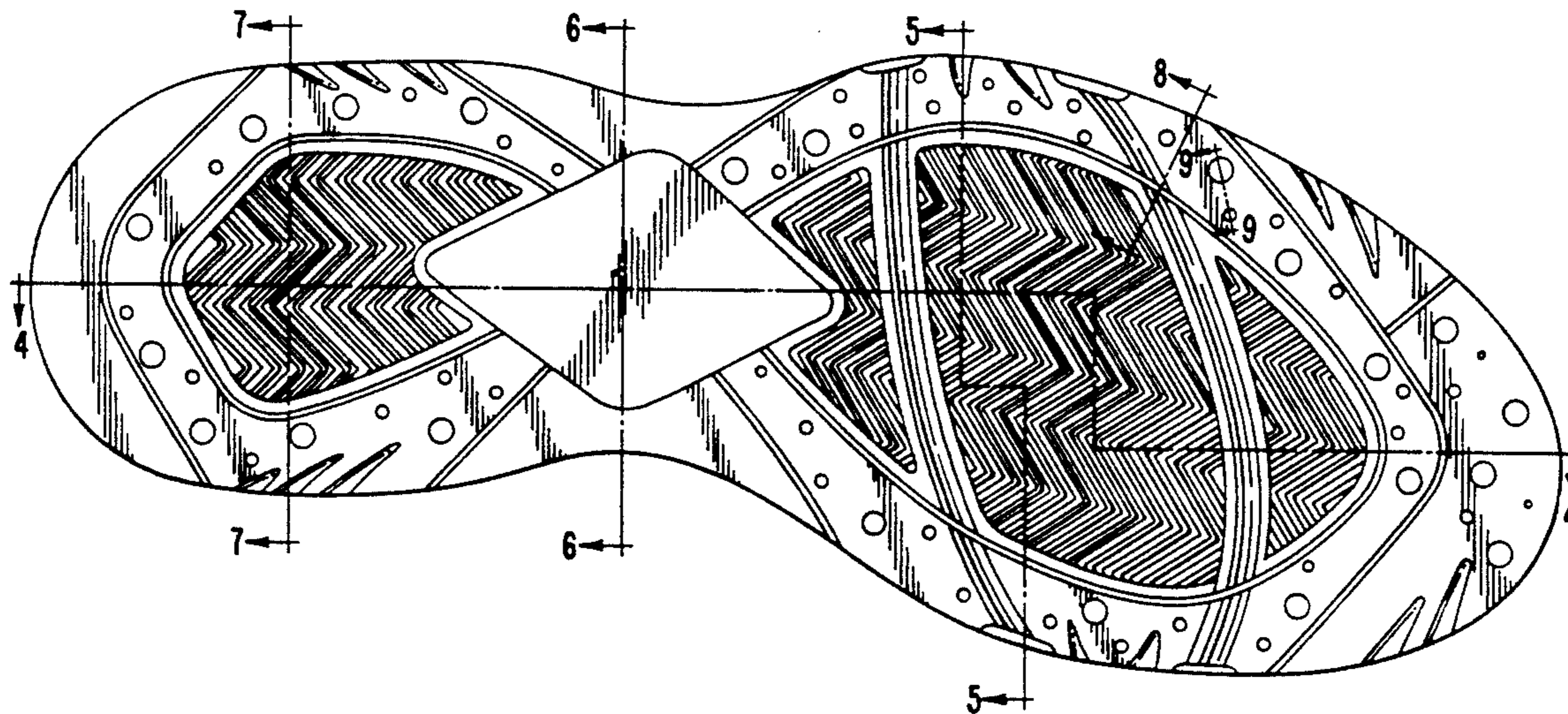
*Primary Examiner*—Louis S. Zarfes  
*Attorney, Agent, or Firm*—Banner, Birch, McKie & Beckett

[57] **CLAIM**

The ornamental design for an outsole, as shown and described.

**DESCRIPTION**

FIG. 1 is a bottom plan view of an outsole showing my new design;  
 FIG. 2 is a side elevational view of one side of the outsole shown in FIG. 1;  
 FIG. 3 is a side elevational view of the other side of the outsole shown in FIG. 1;  
 FIG. 4 is a cross section taken generally along the line 4—4 in FIG. 1;  
 FIG. 5 is a cross section taken generally along the line 5—5 in FIG. 1;  
 FIG. 6 is a cross section taken generally along the line 6—6 in FIG. 1;  
 FIG. 7 is a cross section taken generally along the line 7—7 in FIG. 1;  
 FIG. 8 is a cross section taken generally along the line 8—8 in FIG. 1; and,  
 FIG. 9 is a cross section taken generally along the line 9—9 in FIG. 1.  
 The broken line showing of a shoe upper and midsole are for environmental purposes only, and for no part of the claimed design.



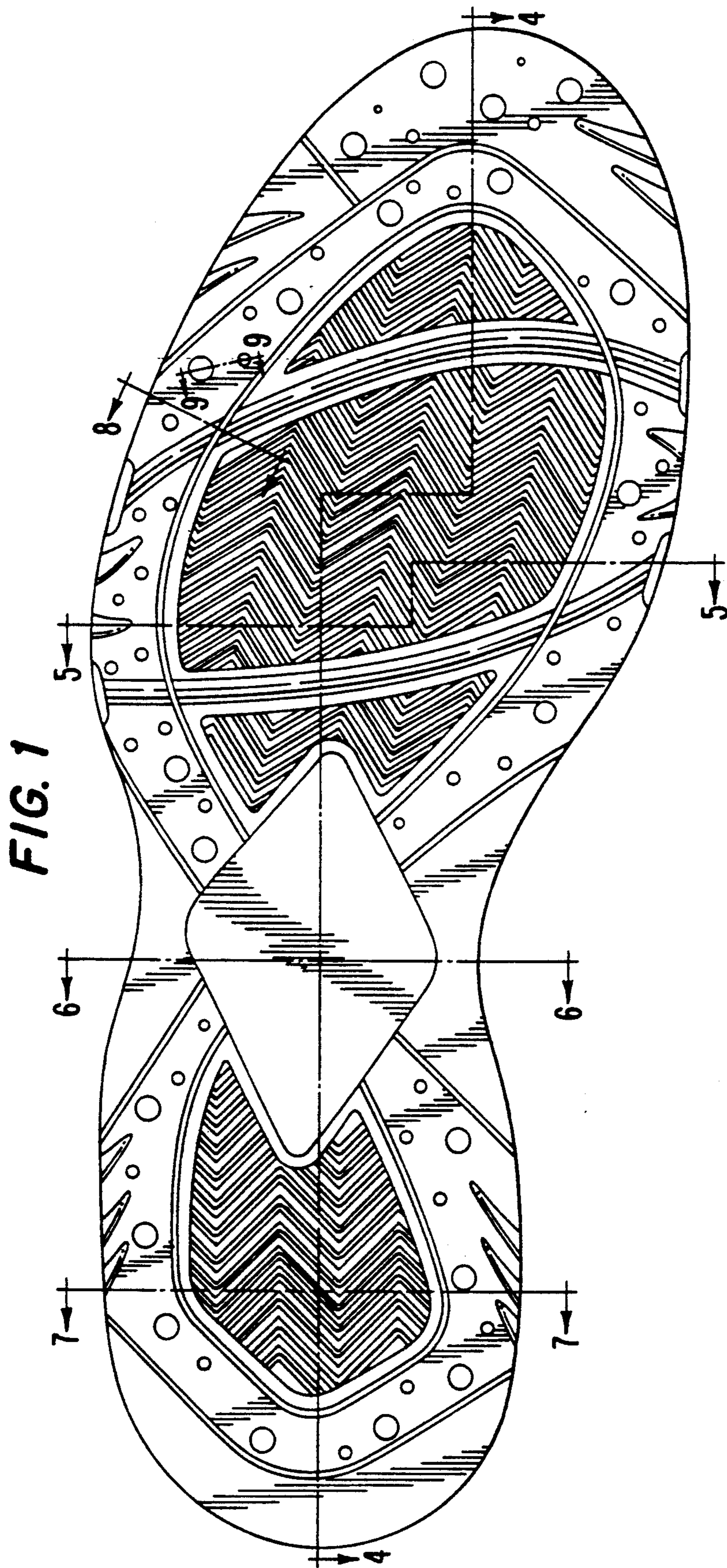
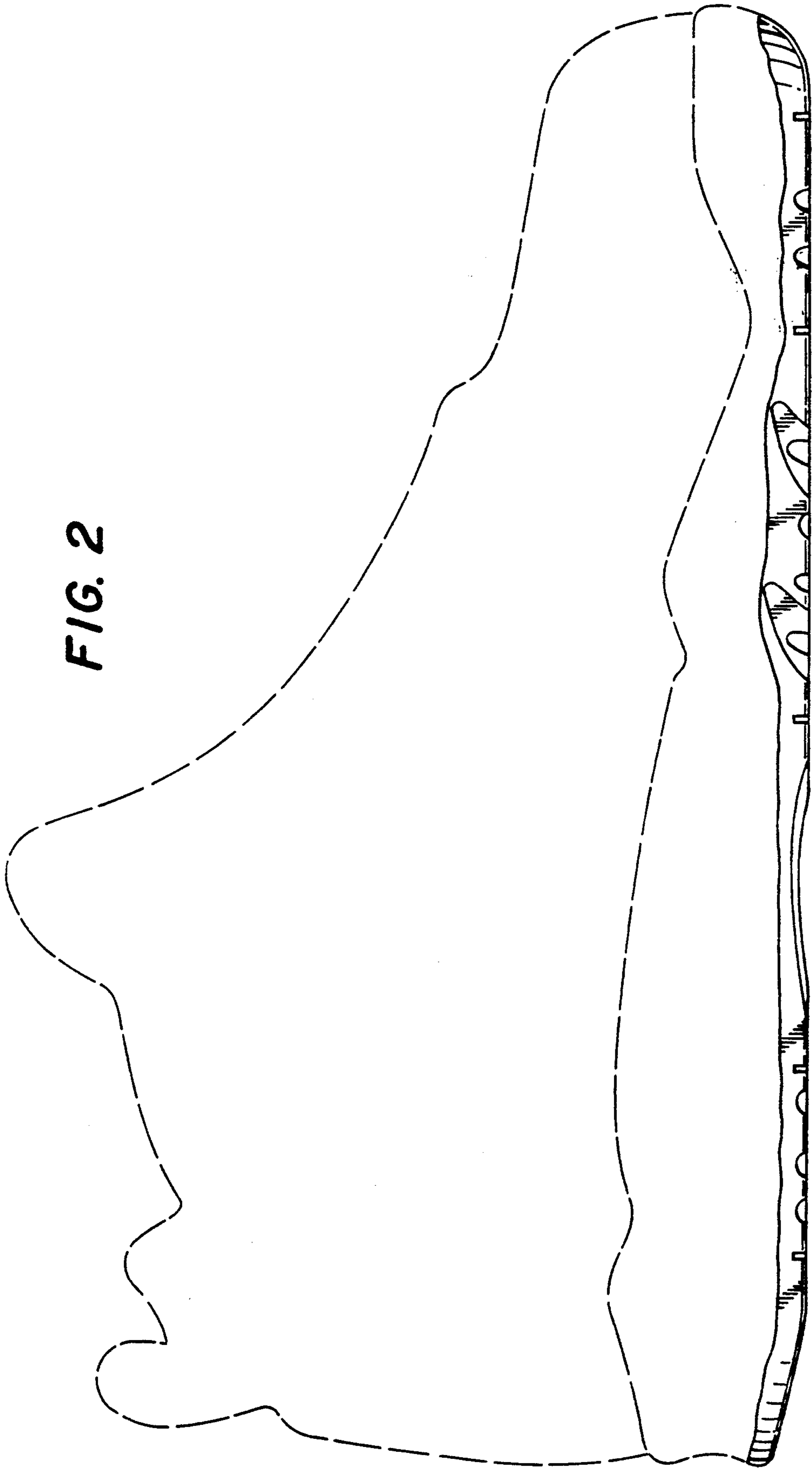
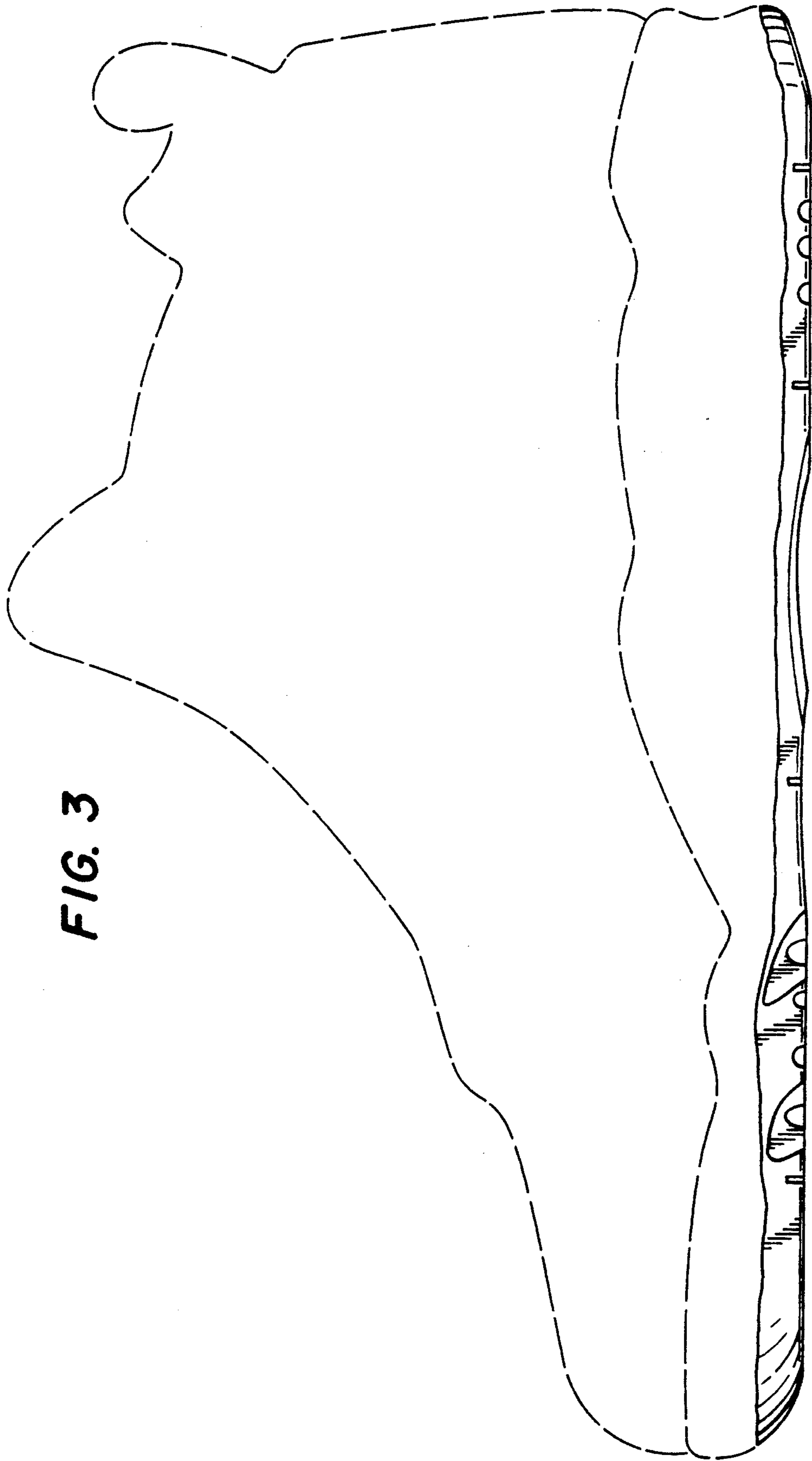


FIG. 2





**FIG. 3**

FIG. 4

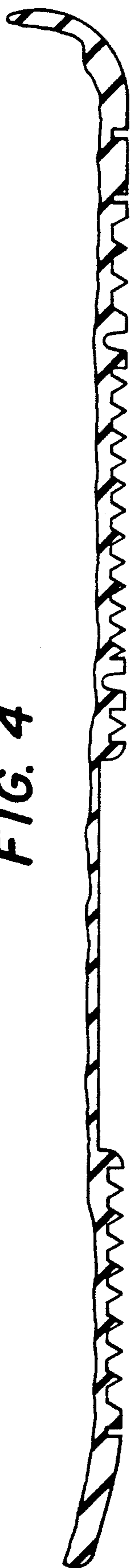


FIG. 5



FIG. 6



FIG. 7



FIG. 8



FIG. 9

