



US00D336771S

United States Patent [19]

[11] Patent Number: **Des. 336,771**

Hatfield et al.

[45] Date of Patent: **** Jun. 29, 1993**

- [54] **SHOE MIDSOLE**
- [75] Inventors: **Tinker L. Hatfield, Portland, Oreg.;**
David M. Forland, Battle Ground,
Wash.; Joel L. Passke, Portland,
Oreg.
- [73] Assignee: **Nike, Inc., Beaverton, Oreg.**
- [**] Term: **14 Years**
- [21] Appl. No.: **897,536**
- [22] Filed: **Jun. 12, 1992**
- [52] U.S. Cl. **D2/318; D2/314**
- [58] Field of Search **D2/264, 265, 308-314,**
D2/317-323; 36/25 R, 28, 29, 32 R, 43-45, 83,
84, 89, 101-107, 112-114, 132, 136, 137;
362/103

- 4,970,807 11/1990 Anderie et al. 36/28
- 4,972,611 11/1990 Swartz et al. 36/28
- 5,005,300 4/1991 Diaz et al. 36/114
- 5,042,176 8/1991 Rudy 36/29
- 5,060,401 10/1991 Whatley 36/25 R
- 5,131,174 7/1992 Drew et al. 36/29 X

OTHER PUBLICATIONS

- Nike 1991 Fall Catalog, Published Dec. 1990, pp. 8, 14, 32, and 46.
- Nike 1991 Spring Catalog, Published Jun. 1990, pp. 8, 12, 28, 30, 32, 42, 68, and 78.
- Nike 1990 Fall Catalog, Published Dec. 1989, pp. 4, 30, and 40.
- Nike 1990 Spring Catalog, Published Jun. 1989, pp. 4, 22, 24, and 40.
- Nike 1989 Fall Catalog, Published Dec. 1988, pp. 4, 8, and 22.
- Nike 1989 Spring Catalog, Published Jun. 1988, pp. 8 and 28.
- Nike 1988 Fall Catalog, Published Dec. 1987, pp. 4 and 68.
- Nike 1988 Spring Catalog, Published Jun. 1987, pp. 2, 4 and 24.

Primary Examiner—Louis S. Zarfes
Attorney, Agent, or Firm—Banner, Birch, McKie & Beckett

[56] References Cited

U.S. PATENT DOCUMENTS

D. 249,748	10/1978	Kitamura	D2/309
D. 256,067	7/1980	Hagg et al.	D2/322
D. 260,196	8/1981	Plagenhoef	D2/319
D. 262,581	1/1982	Chevallereau	D2/309
D. 296,152	6/1988	Selbiger	D2/320
D. 301,385	6/1989	Weiner	D2/308
D. 307,212	4/1990	Aveni	D2/320
D. 308,906	7/1990	Kiyosawa	D2/320
D. 311,810	11/1990	Hatfield	D2/320
D. 311,989	11/1990	Parker et al.	D2/319
D. 312,918	12/1990	Aveni	D2/314
D. 315,442	3/1991	Kilgore et al.	D2/320
D. 316,324	4/1991	Rogers	D2/320
D. 319,331	8/1991	Hatfield	D2/320
D. 321,776	11/1991	Hatfield	D2/314
D. 323,927	2/1992	Rogers	D2/320
D. 324,131	2/1992	Lucas	D2/314
D. 328,385	8/1992	Hatfield	D2/314
3,893,247	7/1975	Dana, III	36/137
3,946,505	3/1976	Dana, III	36/137
4,014,115	3/1977	Reichert	36/137
4,020,572	5/1977	Chiaramonte, Jr.	36/137
4,128,861	12/1978	Pelengaris	362/103
4,235,026	11/1980	Plagenhoef	36/32 R
4,744,157	5/1988	Dubner	36/44 X
4,768,295	9/1988	Ito	36/28
4,817,304	4/1989	Parker et al.	36/114
4,918,841	4/1990	Turner et al.	36/114
4,936,029	6/1990	Rudy	36/29

[57] CLAIM

The ornamental design for a shoe midsole, as shown and described.

DESCRIPTION

- FIG. 1 is a side elevational view of one side of a shoe midsole according to our new design;
- FIG. 2 is a side elevational view of the other side of a shoe midsole as shown in FIG. 1;
- FIG. 3 is a front elevational view of a shoe midsole as shown in FIGS. 1 and 2;
- FIG. 4 is a rear elevational view of a shoe midsole as shown in FIGS. 1 and 2;
- FIG. 5 is a cross-sectional view as shown in Section 5—5 of FIG. 1;
- FIG. 6 is a cross section as shown in Section 6—6 of FIG. 1;

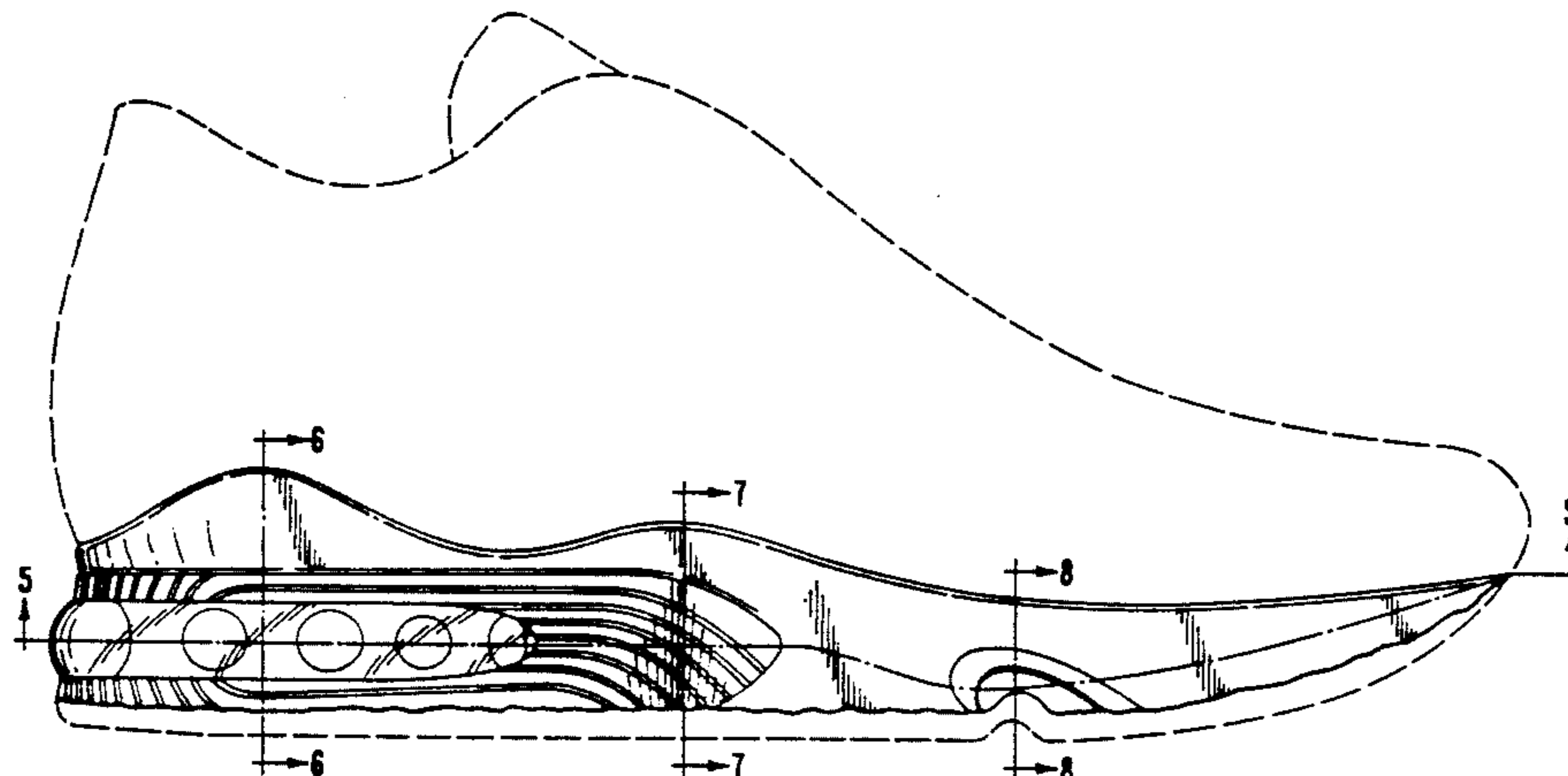


FIG. 7 is a cross section as shown in Section 7—7 of FIG. 1;

FIG. 8 is a cross section as shown in Section 8—8 of FIG. 1;

FIG. 9 is a cross section as shown in Section 9—9 of FIG. 2; and,

FIG. 10 is a cross section as shown in Section 10—10 of FIG. 2;

The broken line showing of a shoe upper, the broken line showing of a shoe outsole, and the internal surfaces of the cross-sections are for illustrative purposes only and form no part of the claimed design.

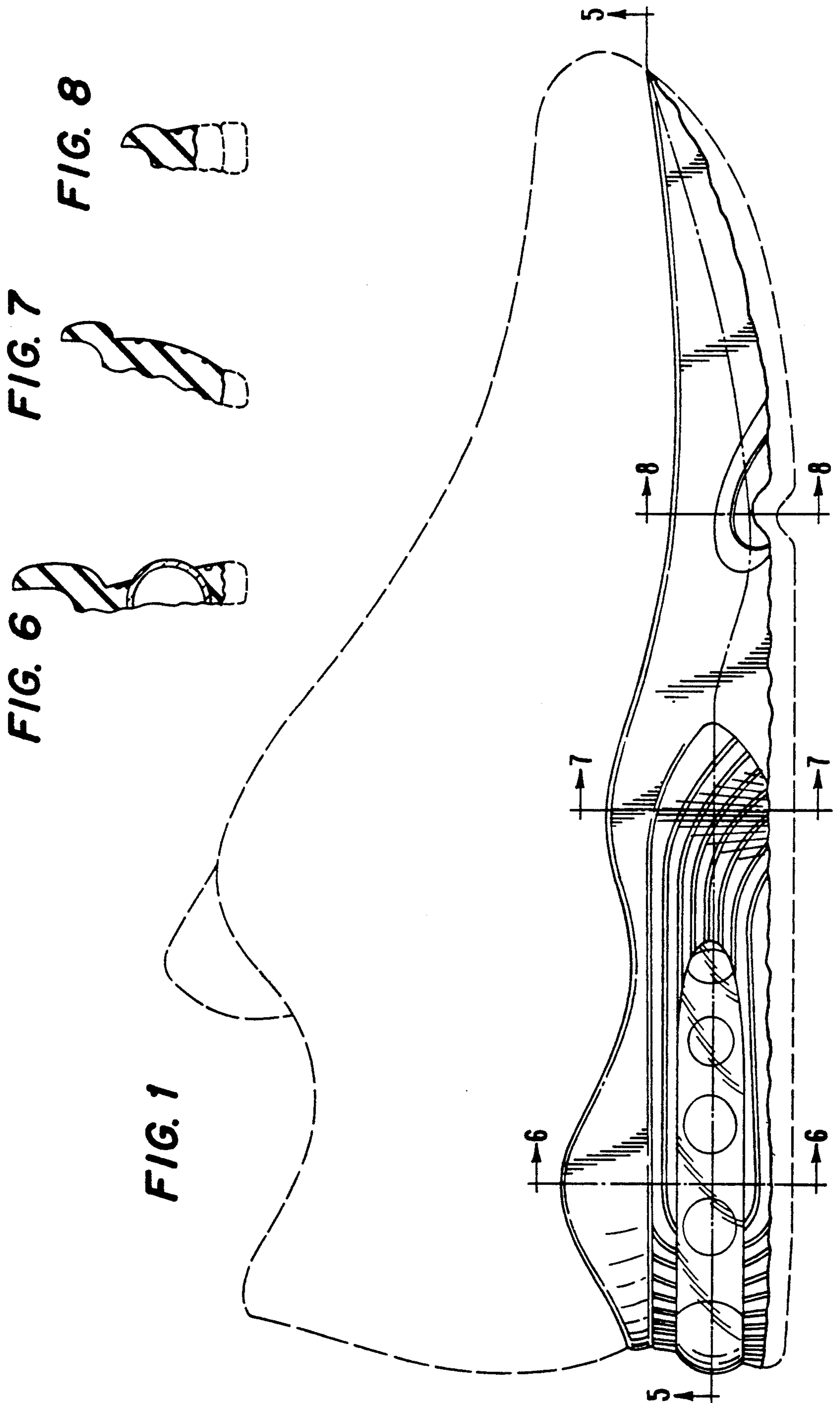


FIG. 7

FIG. 8

FIG. 6

FIG. 1

FIG. 9



FIG. 10



FIG. 2

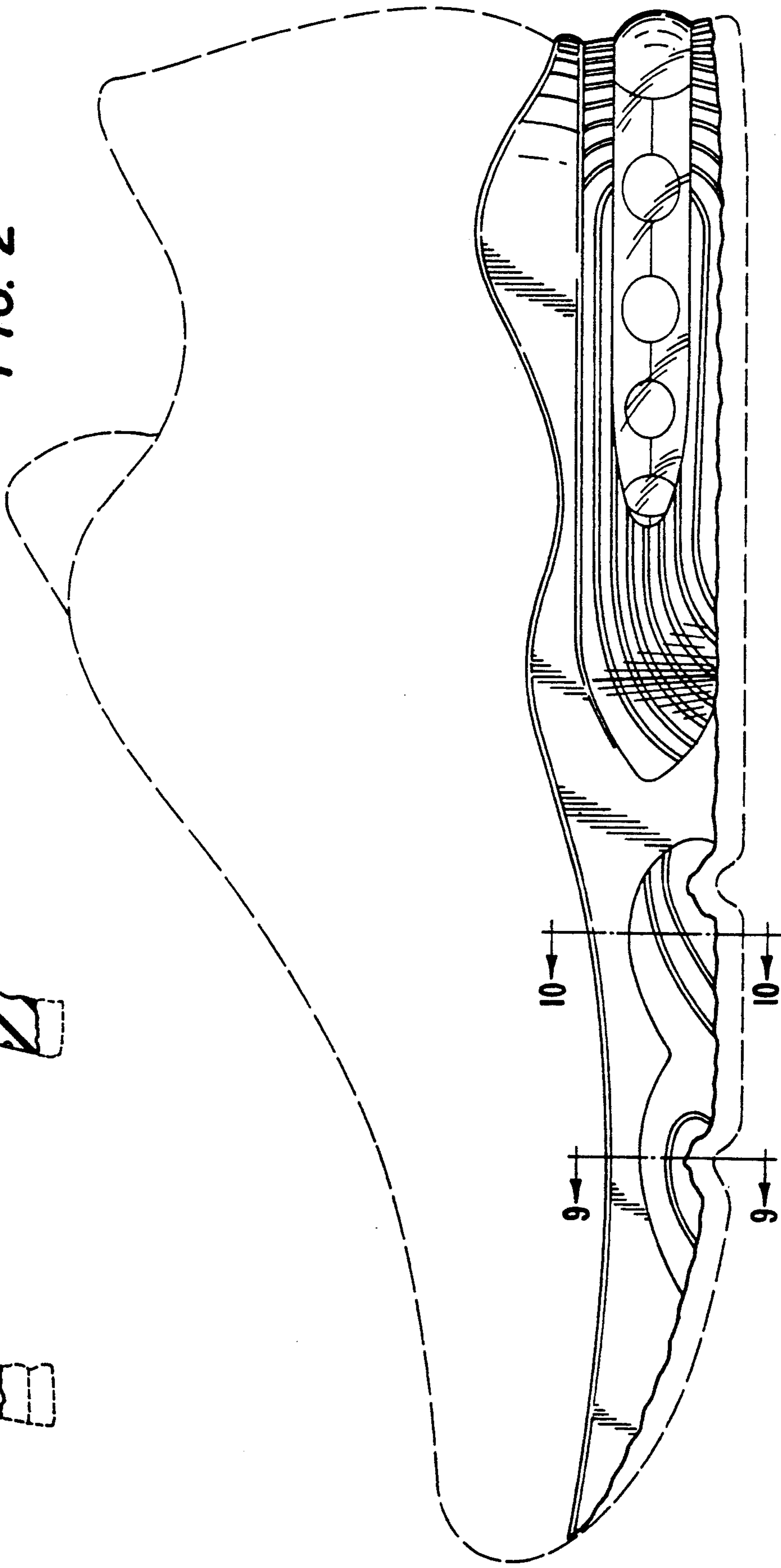


FIG. 4

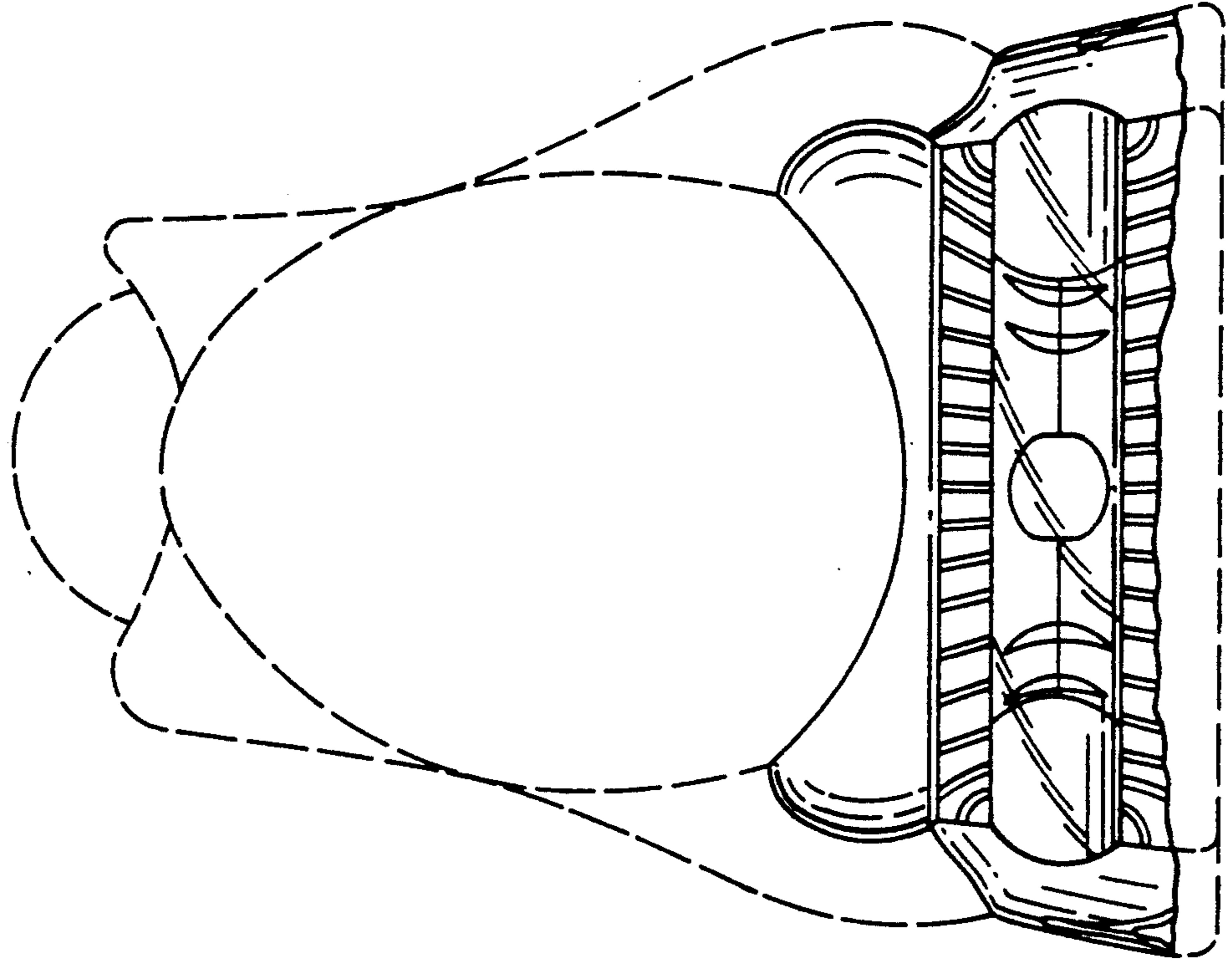


FIG. 3

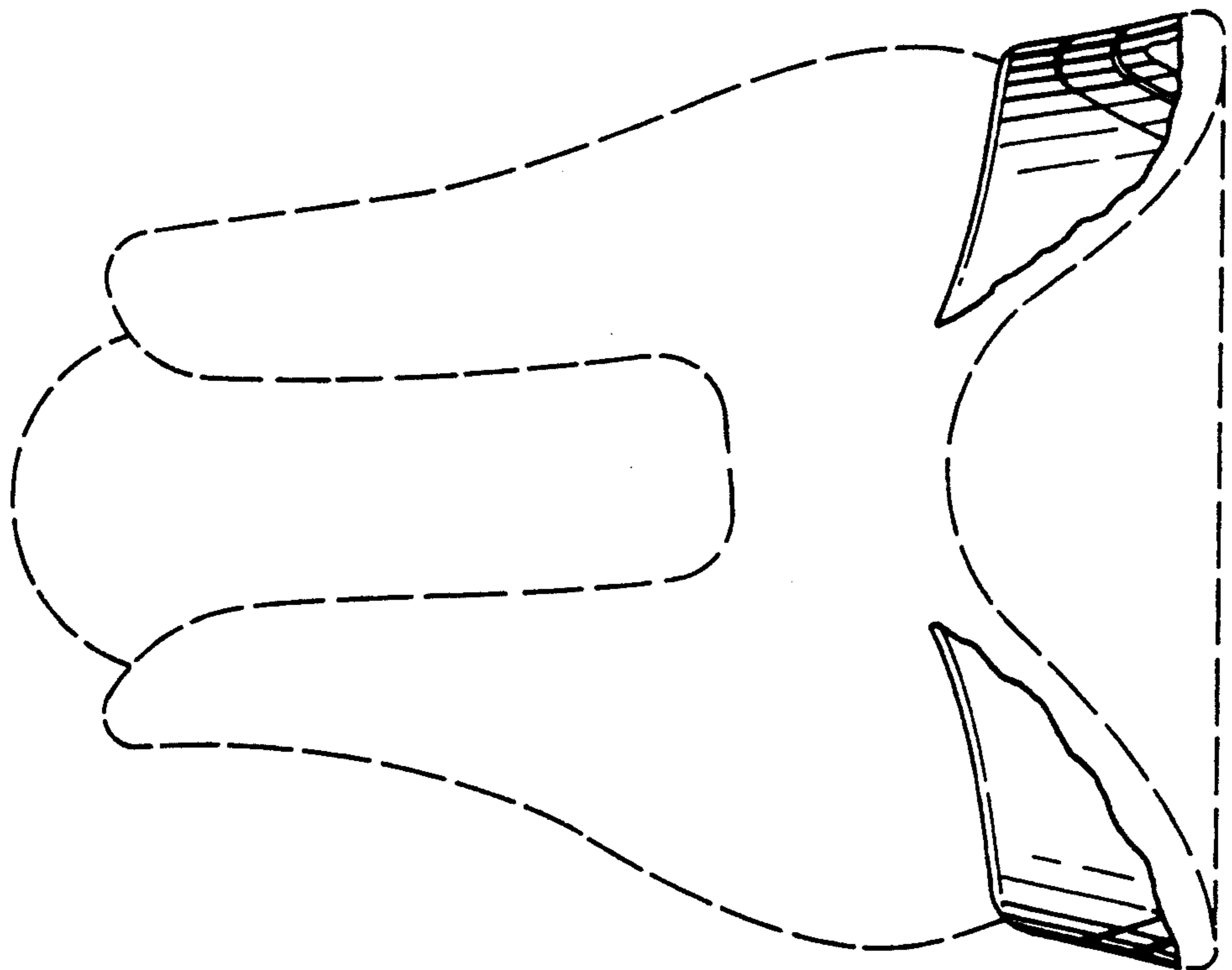


FIG. 5

