



US00D336770S

United States Patent [19]

[11] Patent Number: Des. 336,770

Thomas, III et al.

[45] Date of Patent: ** Jun. 29, 1993

[54] STRAP SYSTEM FOR A SANDAL

[75] Inventors: Allen P. Thomas, III, Beaverton;
Steve C. McDonald, Portland, both of
Oreg.

[73] Assignees: Nike, Inc., Beaverton, Oreg.; Nike
International Ltd., Bermuda

[**] Term: 14 Years

[21] Appl. No.: 948,904

[22] Filed: Sep. 18, 1992

[52] U.S. Cl. D2/314; D2/290

[58] Field of Search D2/264, 265, 270, 275,
D2/283, 298, 290-294, 308-314, 315; 36/45, 50,
7.5, 11.5, 83, 84, 89, 100-107, 110, 112-114,
132, 136

4,686,781 8/1987 Bury 36/132
4,793,075 12/1988 Thatcher 36/11.5
4,967,750 11/1990 Cherniak 128/581
5,056,241 10/1991 Young 36/11.5

OTHER PUBLICATIONS

"Timberland River Sandal", *FN SportStyle Handbook*,
date unknown.

"All Terrain", TEVA 1992 Sport Sandal brochure.

Primary Examiner—Louis S. Zarfes

Attorney, Agent, or Firm—Banner, Birch, McKie &
Beckett

[57] CLAIM

The ornamental design for a strap system for a sandal, as
shown and described.

DESCRIPTION

FIG. 1 is a side elevational view of one side of the strap
system for a sandal showing our new design;
FIG. 2 is a side elevational view of the other side of the
strap system shown in FIG. 1;

FIG. 3 is a top plan view of the strap system shown in
FIG. 1;

FIG. 4 is a front elevational view of the strap system
shown in FIG. 1; and,

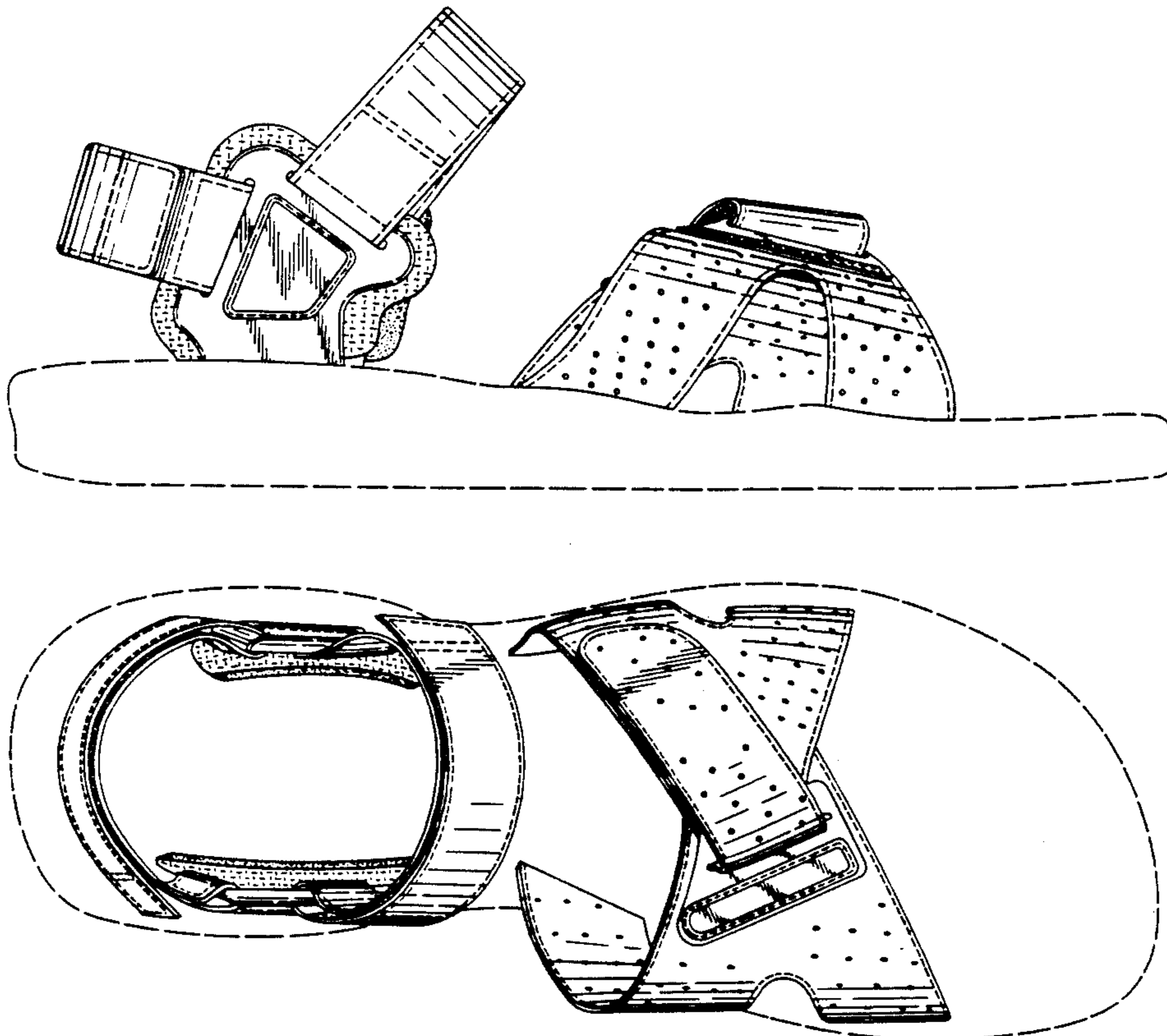
FIG. 5 is a rear elevational view of the strap system
shown in FIG. 1;

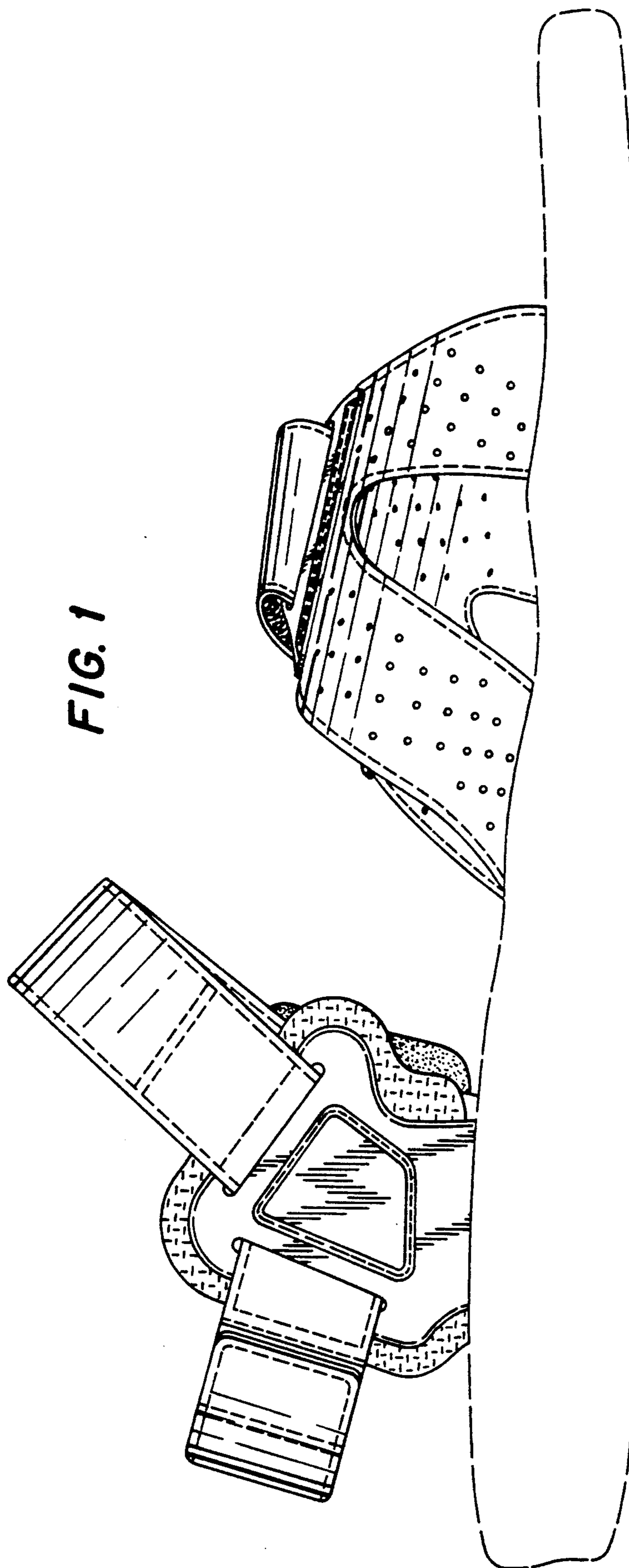
The broken line showing of a sole periphery and the
remaining parts of the sandal in FIGS. 1-5 are for illus-
trative purposes and form no part of the claimed design.

[56] References Cited

U.S. PATENT DOCUMENTS

D. 224,763	9/1972	Fukuoka	D2/283
D. 255,396	6/1980	Scheinhaus et al.	D2/326
D. 296,608	7/1988	Maciel	D2/293
D. 325,290	4/1992	Hatfield	D2/314
1,964,705	6/1934	Pellkofer	36/11.5
2,642,677	6/1953	Yates	36/11.5
2,894,338	7/1959	Scholl	D2/293 X
4,200,997	5/1980	Scheinhaus et al.	36/11.5
4,275,512	6/1981	Zeligman et al.	36/11.5
4,314,412	2/1982	Anderson et al.	36/100
4,566,207	1/1986	Struntz	36/50





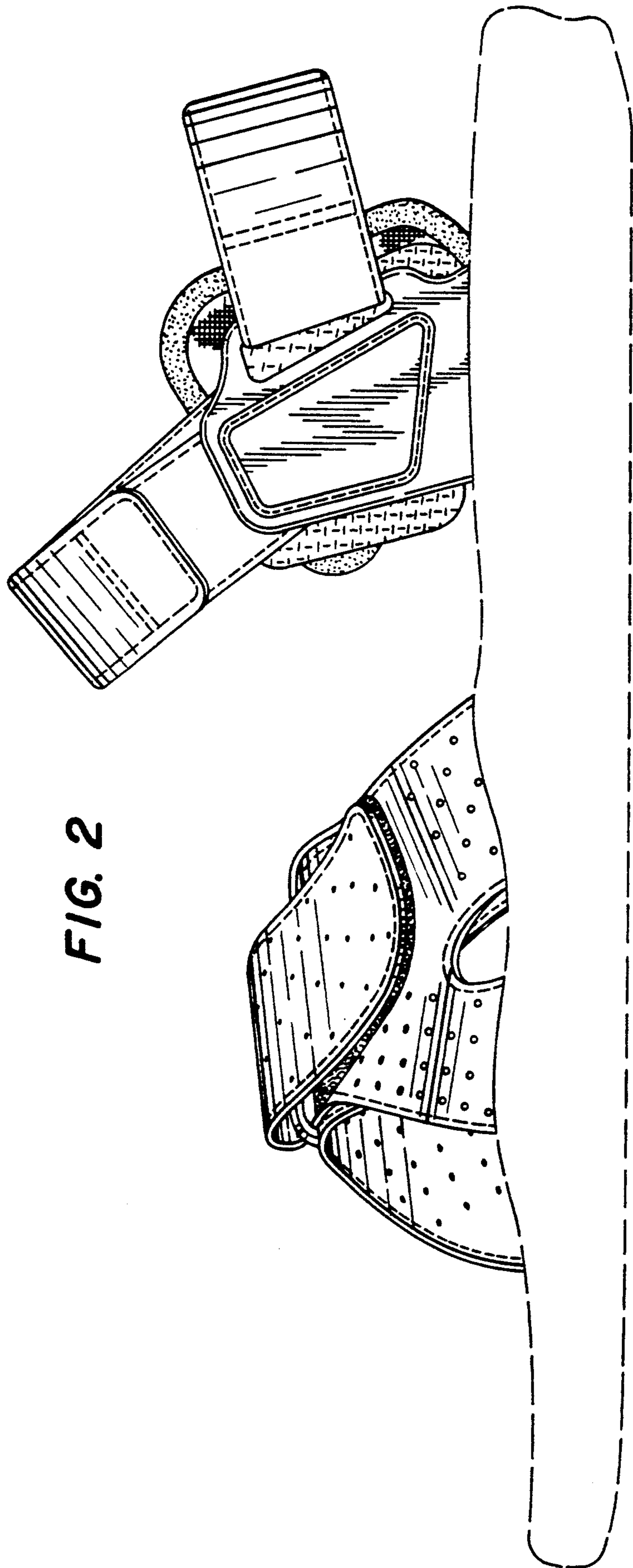


FIG. 2

FIG. 3

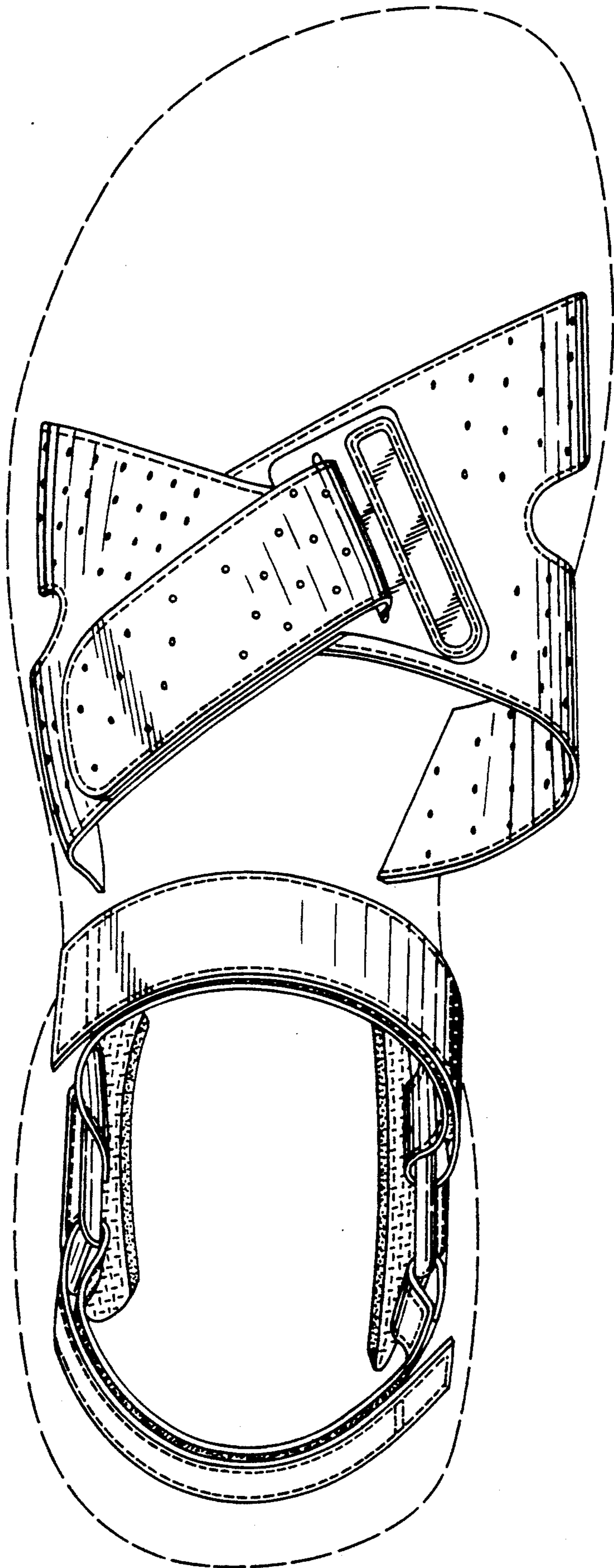


FIG. 5

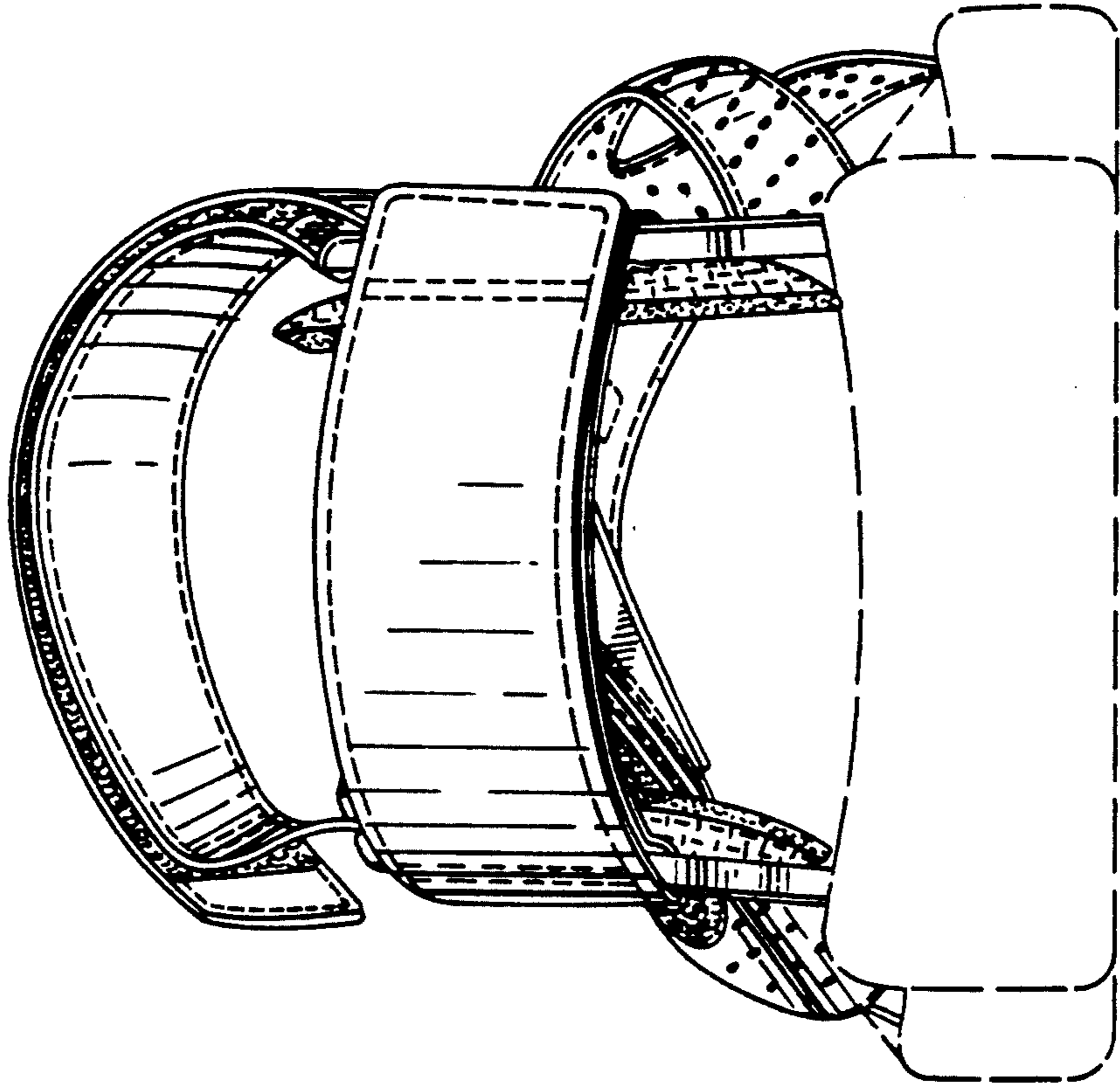
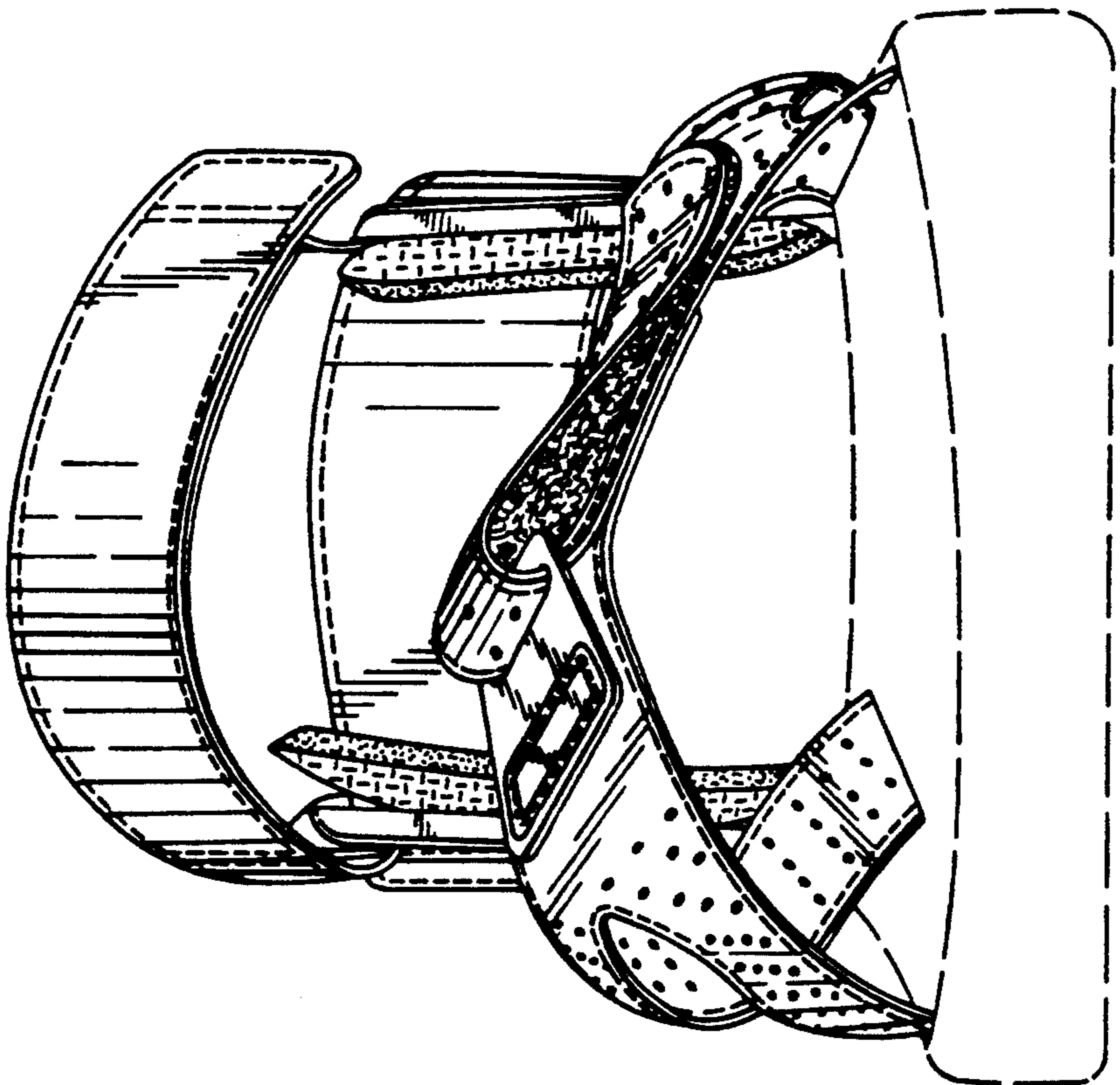


FIG. 4



UNITED STATES PATENT AND TRADEMARK OFFICE
CERTIFICATE OF CORRECTION

PATENT NO. : Des. 336,770
DATED : June 29, 1993
INVENTOR(S) : Thomas P. Allen, III, Steve C. McDonald

It is certified that error appears in the above-identified patent and that said Letters Patent is hereby corrected as shown below:

On the title page: Item [19] should read -- Allen --.

Item [75] "Allen P. Thomas, III" should read --Thomas P. Allen, III --.

Signed and Sealed this

Twenty-second Day of March, 1994

Attest:



BRUCE LEHMAN

Attesting Officer

Commissioner of Patents and Trademarks