



US00D336761S

United States Patent [19] Chan

[11] Patent Number: **Des. 336,761**

[45] Date of Patent: **** Jun. 22, 1993**

[54] **COMBINED HUMIDIFIER AND AIR FRESHENER UNIT**

4,480,786 11/1984 Haywood 126/113
4,967,728 11/1990 Dueck 126/113
5,141,707 8/1992 Brite 422/124

[76] Inventor: **David Chan**, 63 Lavron Court,
Markham, Ontario, Canada, L3S 2P2

Primary Examiner—Wallace R. Burke
Assistant Examiner—Lisa Lichtenstein
Attorney, Agent, or Firm—Terry M. Gernstein

[**] Term: **14 Years**

[21] Appl. No.: **827,814**

[57] **CLAIM**

The ornamental design for a combined humidifier and air freshener unit, as shown.

[22] Filed: **Jan. 28, 1992**

[52] U.S. Cl. **D23/356; D23/366**

[58] Field of Search **D23/356-360,**
D23/366; 239/102.2, 55, 57, 58, 59; 261/DIG.
65; 392/394, 403; 422/305

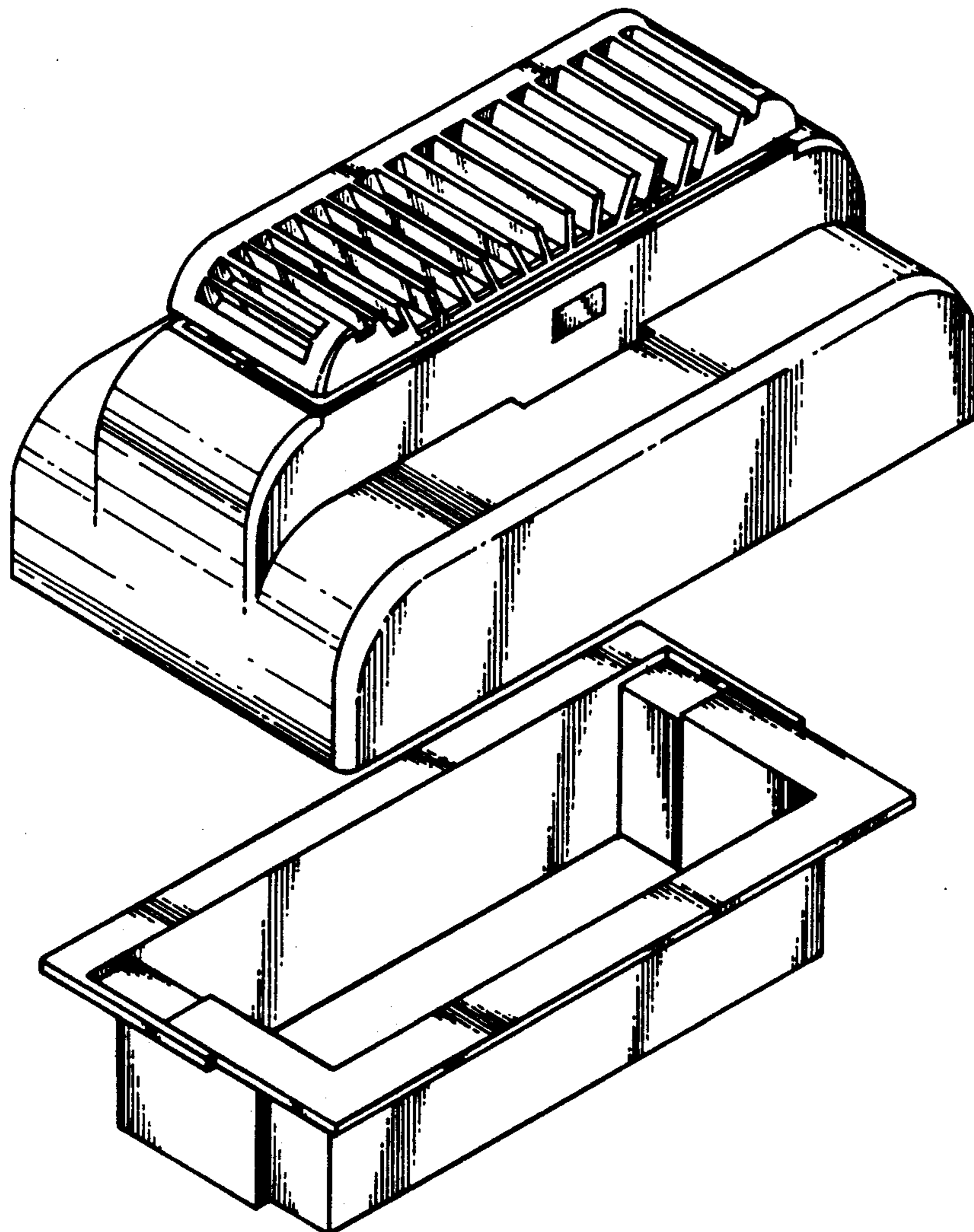
DESCRIPTION

FIG. 1 is an exploded perspective view of the combined humidifier and air freshener unit embodying the design of the present invention;
FIG. 2 is a front end elevational view thereof;
FIG. 3 is a rear end elevational view thereof;
FIG. 4 is a side elevational view thereof;
FIG. 5 is a side elevational view thereof;
FIG. 6 is a top plan view thereof; and,
FIG. 7 is a bottom plan view thereof.

[56] **References Cited**

U.S. PATENT DOCUMENTS

D. 191,241	8/1961	Anderson et al.	D23/356
D. 328,342	7/1992	Pasch et al.	D23/356
2,715,056	8/1955	Wilson	D23/360
4,257,389	3/1981	Texidor	126/113



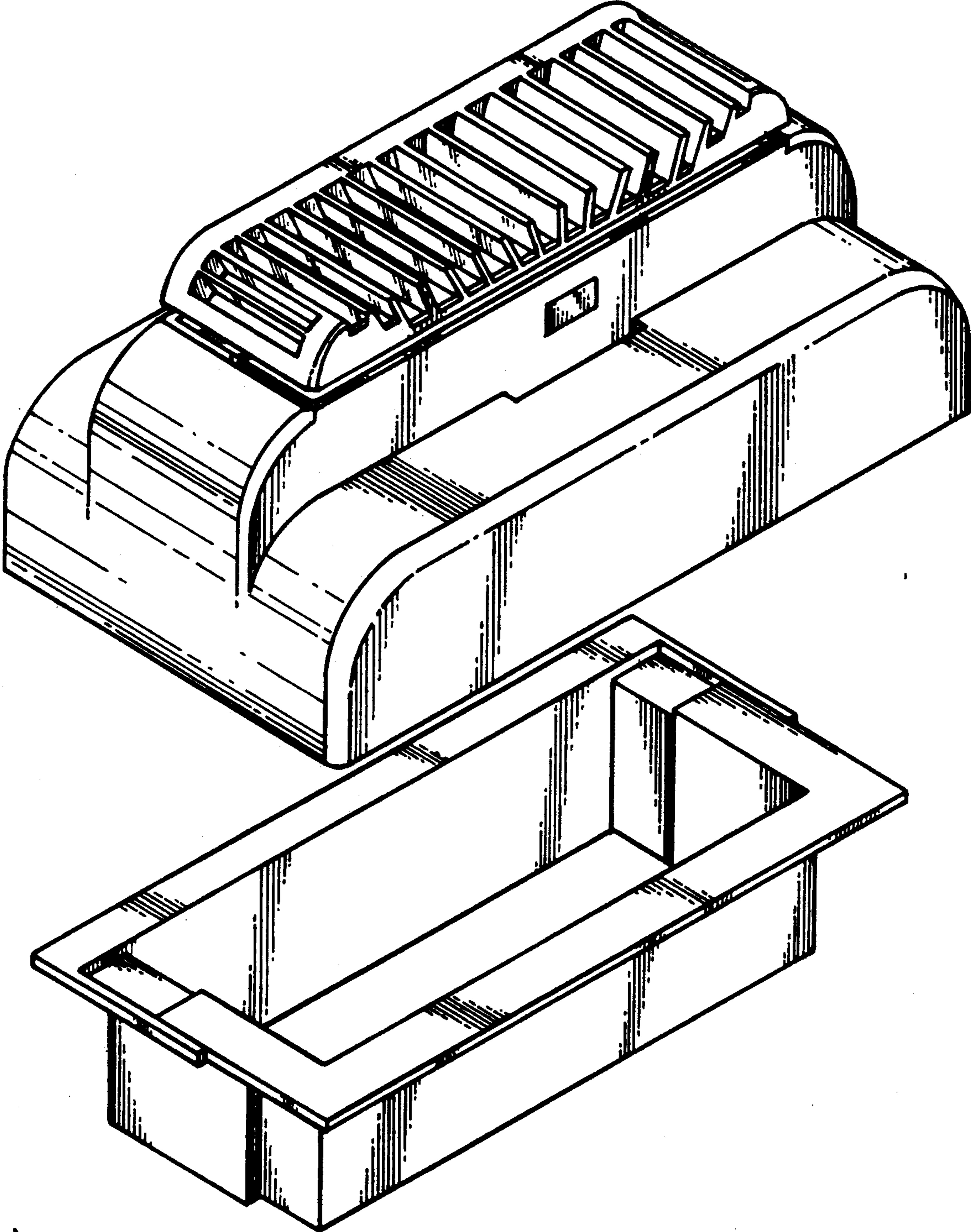


FIG. 1

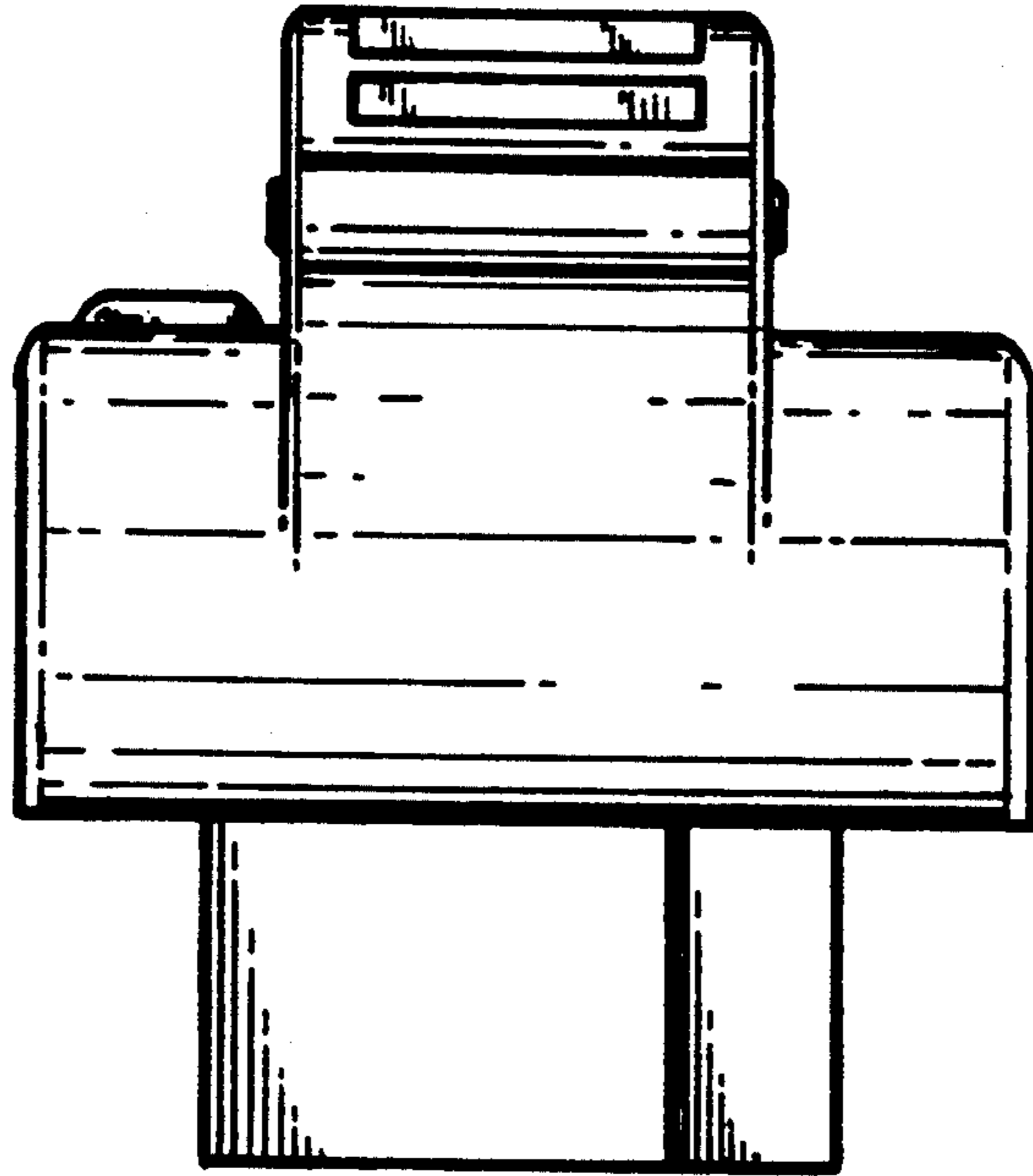


FIG. 2

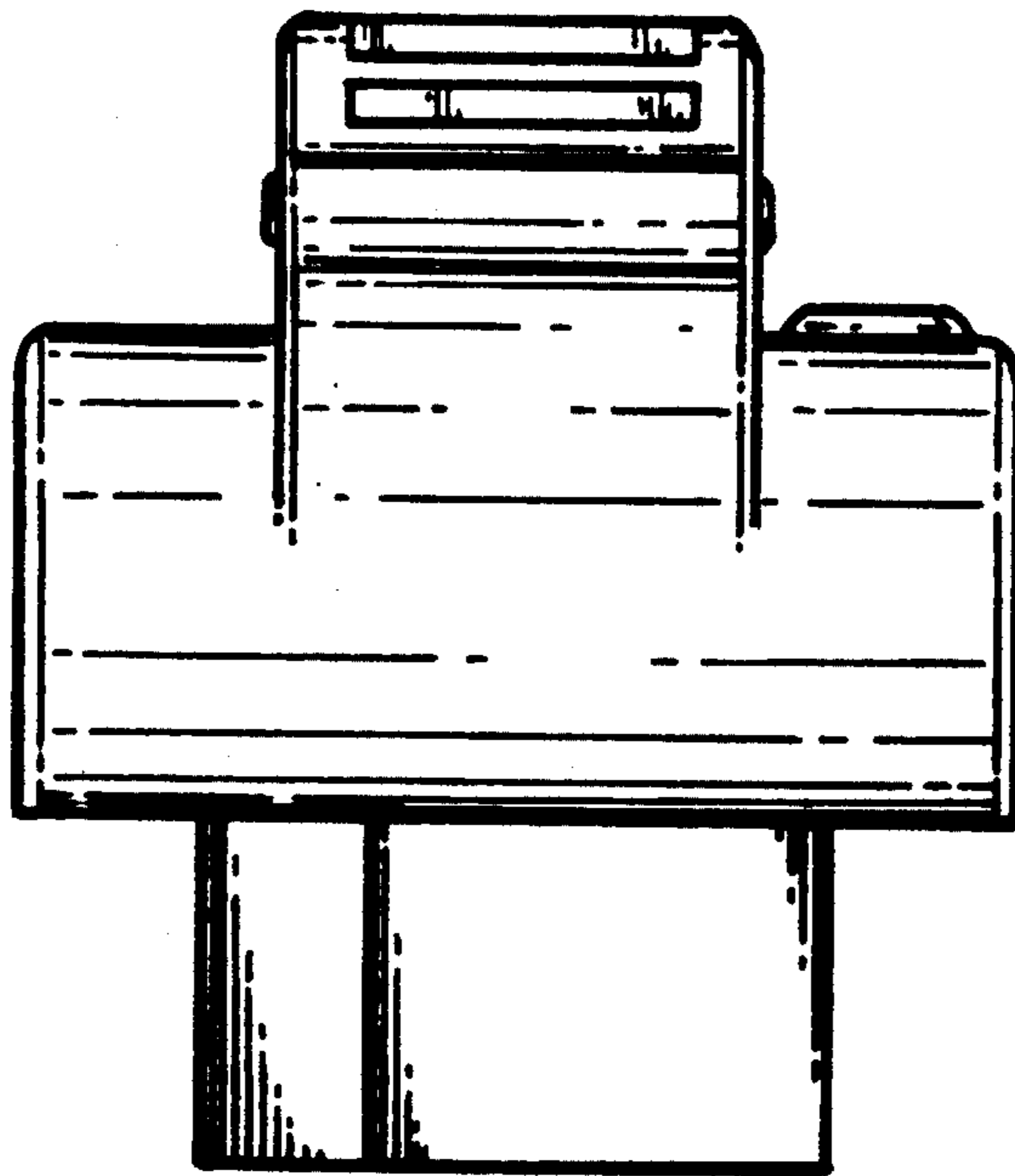


FIG. 3

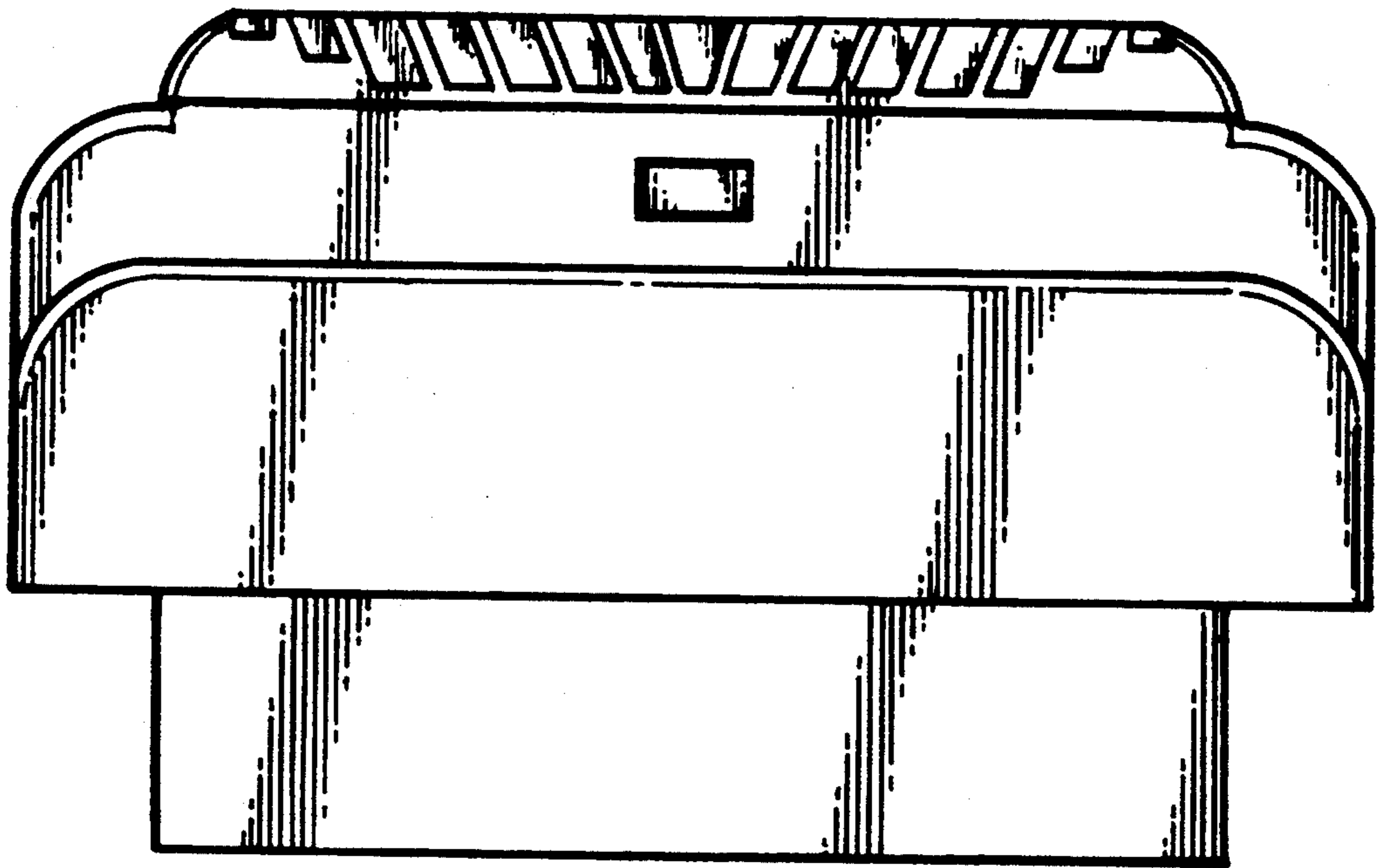


FIG. 4

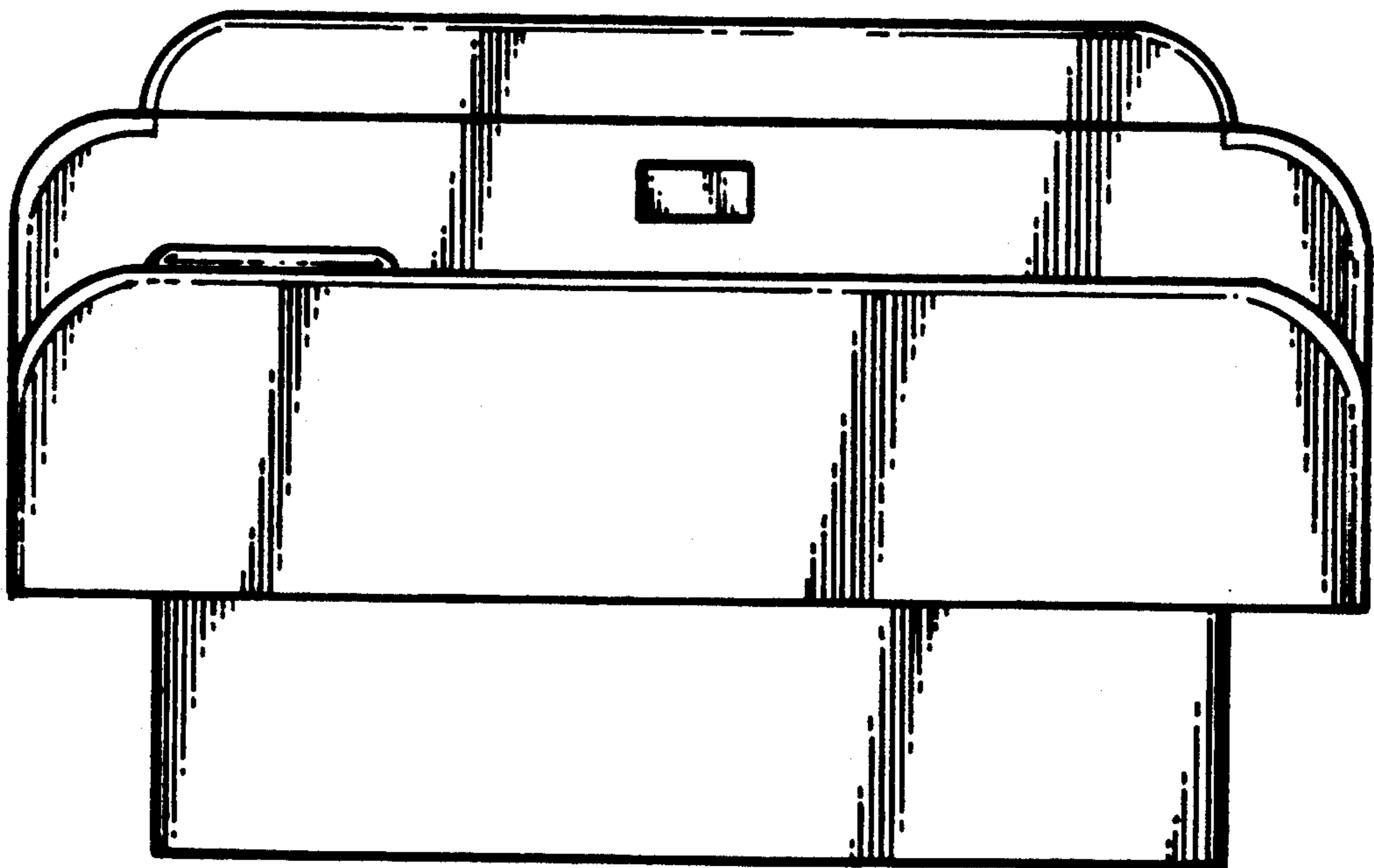


FIG. 5

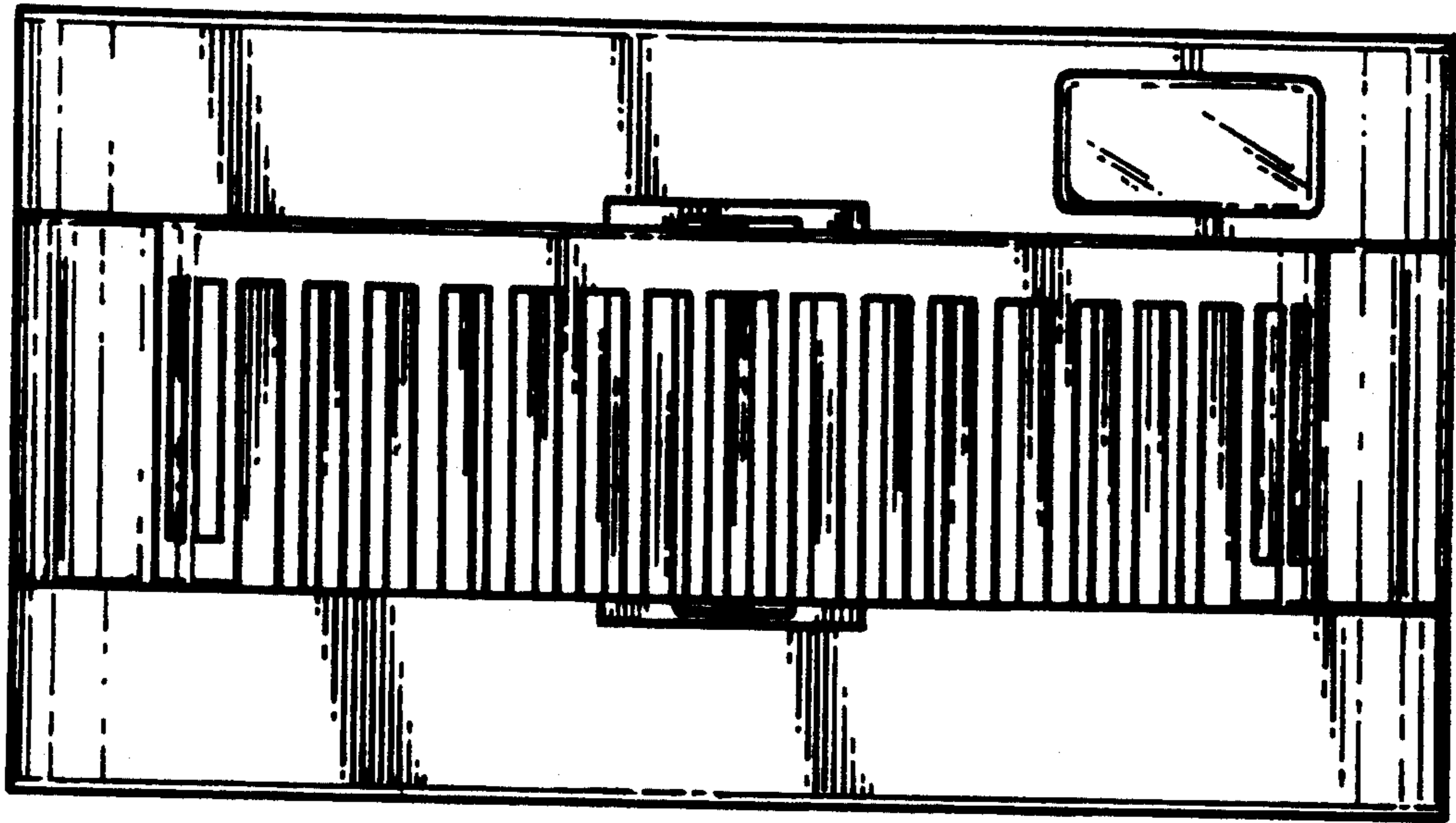


FIG. 6

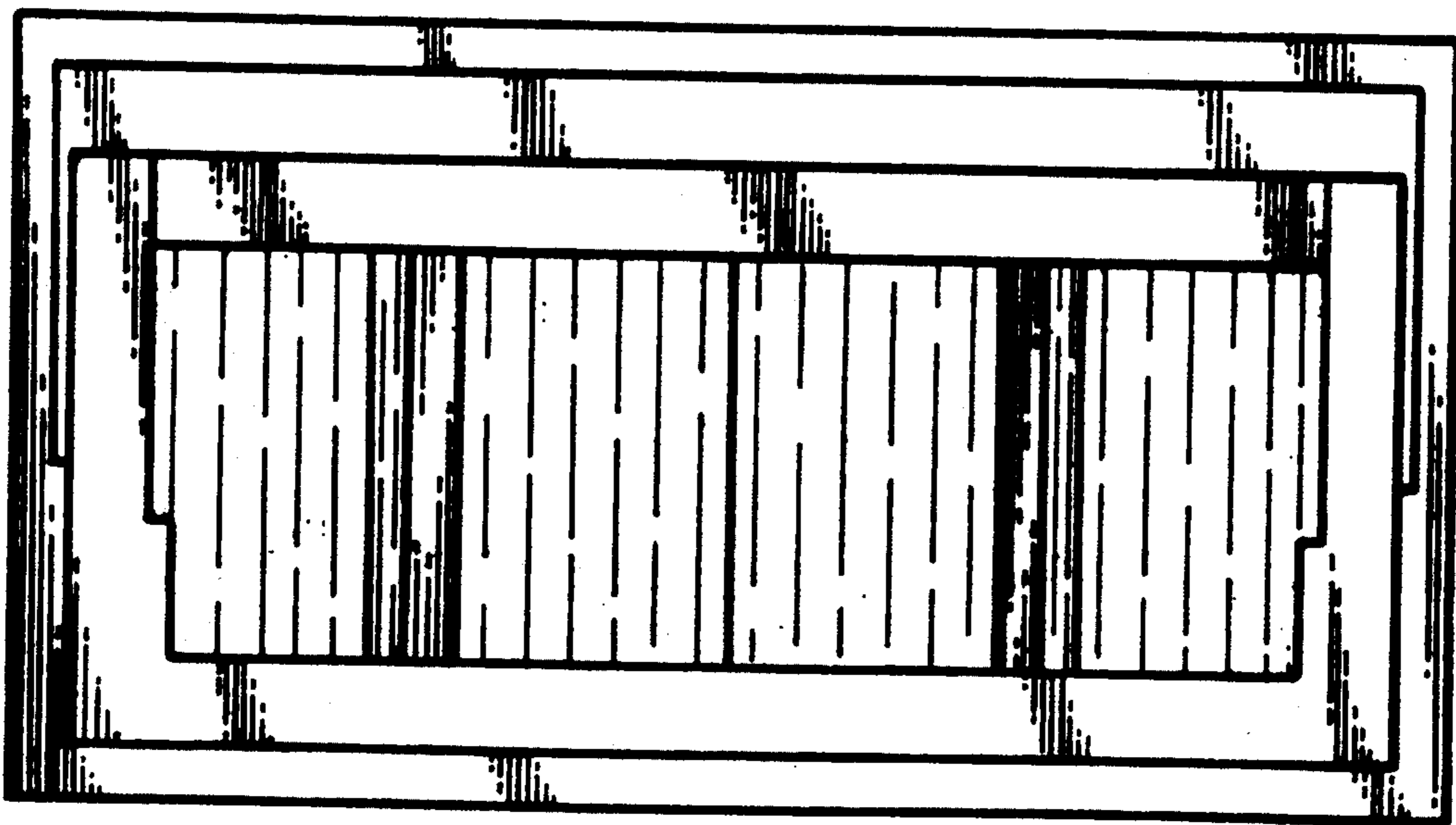


FIG. 7