



US00D336760S

United States Patent [19]

[11] Patent Number: **Des. 336,760**

Raunkjaer

[45] Date of Patent: **** Jun. 22, 1993**

[54] **COMBINED WATER FILTER AND CONTAINER**

[75] Inventor: **Hans T. Raunkjaer, Mailand, Italy**

[73] Assignee: **Brita Wasser-Filter Systeme GmbH, Fed. Rep. of Germany**

[**] Term: **14 Years**

[21] Appl. No.: **587,360**

[22] Filed: **Sep. 24, 1990**

[30] **Foreign Application Priority Data**

Mar. 24, 1990 [DE] Fed. Rep. of Germany 9002146

[52] U.S. Cl. **D23/209; D7/317**

[58] Field of Search **D23/207-10; 210/97, 198.1, 205-206, 231, 244-246, 257.1-257.2, 258, 260-261, 275, 282, 287-290, 295, 321.6, 321.78, 348, 416.3, 443-449; D6/300, 316-319, 543**

[56] **References Cited**

U.S. PATENT DOCUMENTS

D. 252,604 8/1979 Harris D7/317
D. 255,531 6/1980 Daenen et al. D7/312 X

D. 287,325 12/1986 Schmidt D7/318 X
D. 295,888 5/1988 Schulein et al. D23/207
D. 319,368 8/1991 Picozza et al. D7/317
D. 325,146 4/1992 Pedersen D7/319 X
3,631,793 1/1972 Bednartz 210/348 X
4,776,956 10/1988 Gannaway 210/282
4,969,996 11/1990 Hankammer 210/282

Primary Examiner—Wallace R. Burke
Assistant Examiner—M. H. Tung
Attorney, Agent, or Firm—Austin R. Miller

[57] **CLAIM**

The ornamental design for a combined water filter and container, as shown and described.

DESCRIPTION

FIG. 1 is a side elevational view of a combined water filter and container, the other side being a mirror image; FIG. 2 is a front elevational view of a combined water filter and container; FIG. 3 is a rear elevational view of a combined water filter and container; FIG. 4 is a top plan view of a combined water filter and container; and, FIG. 5 is a bottom plan view of the combined water filter and container.

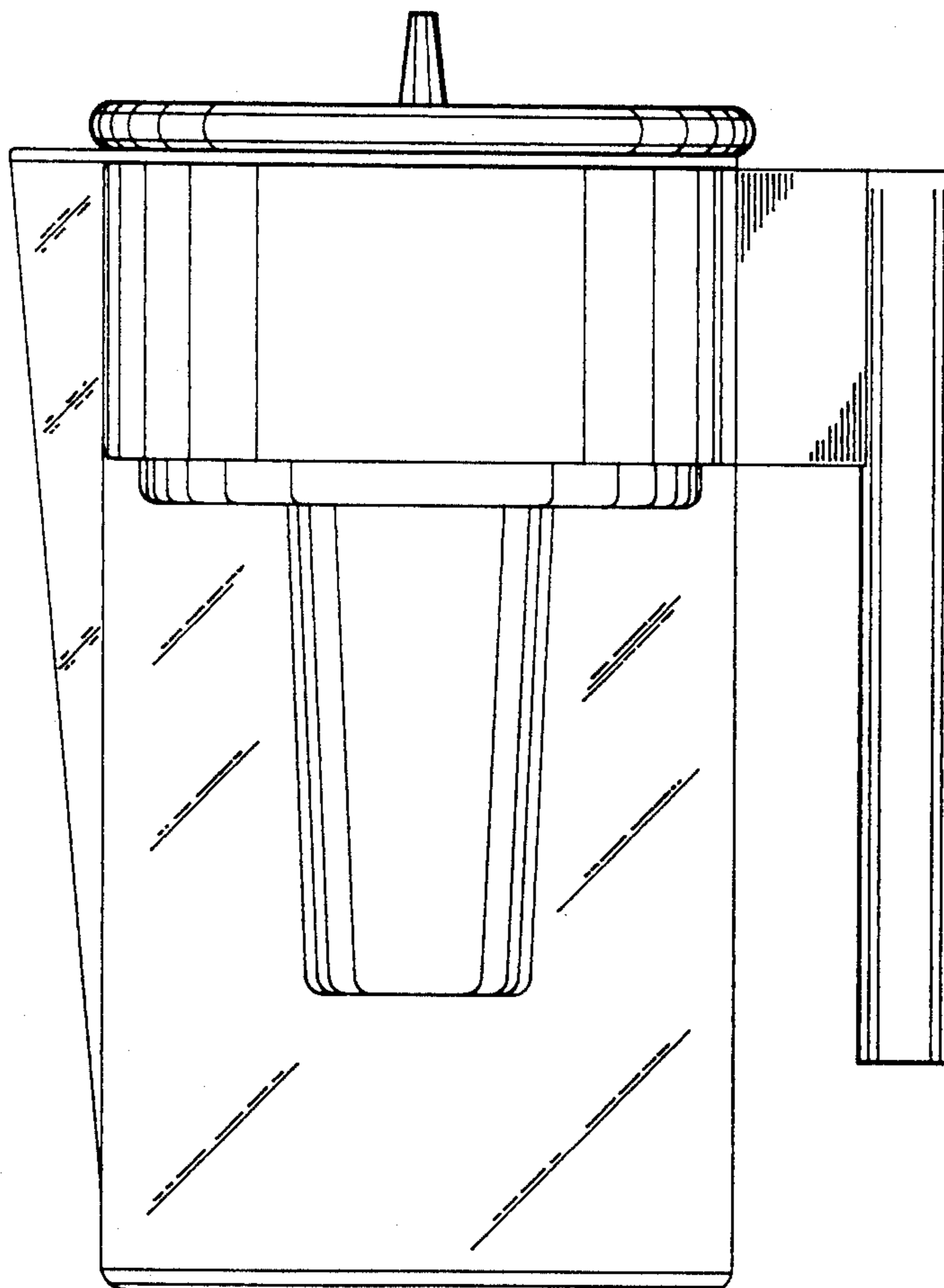


Fig. 1

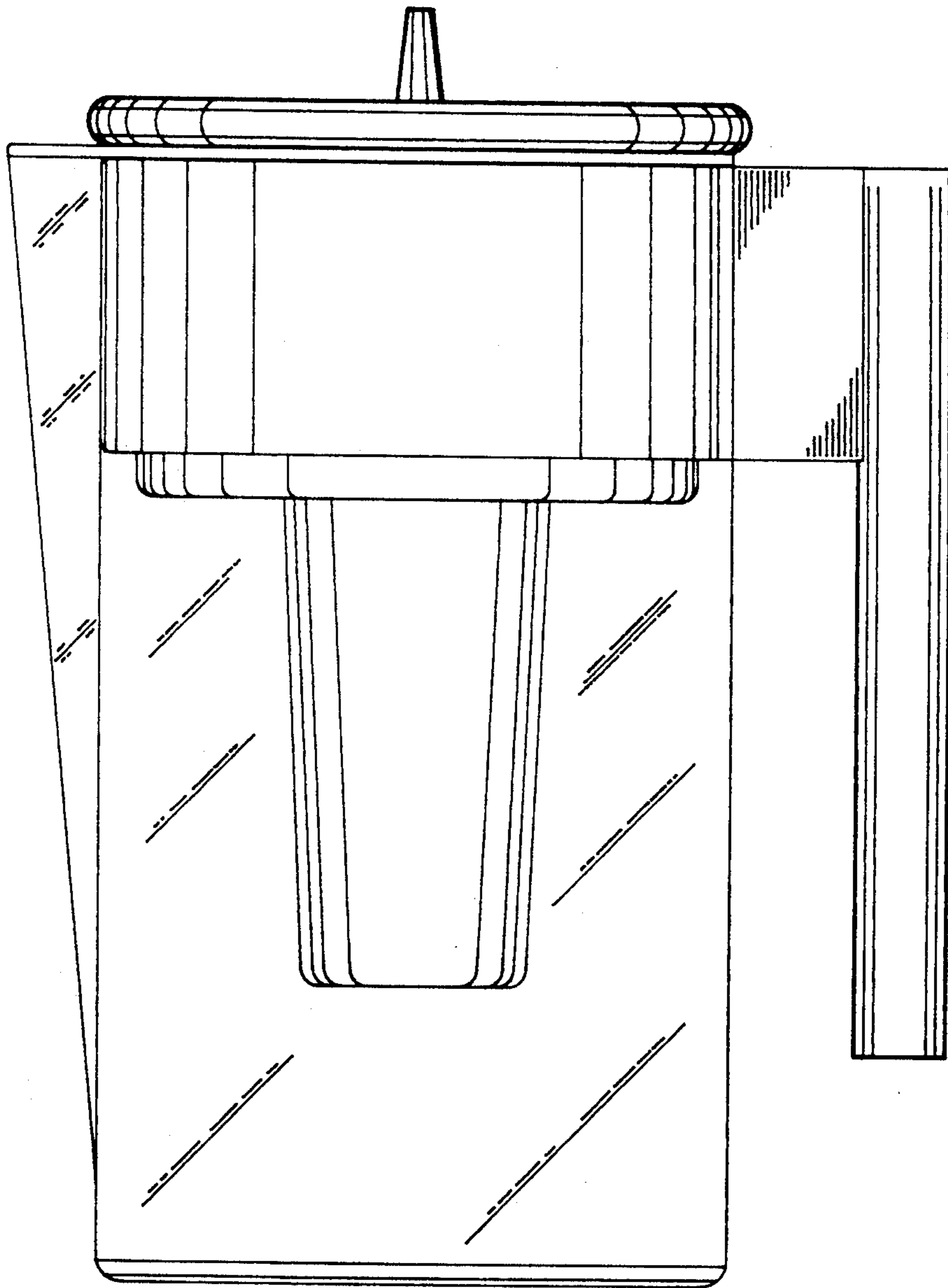


Fig. 2

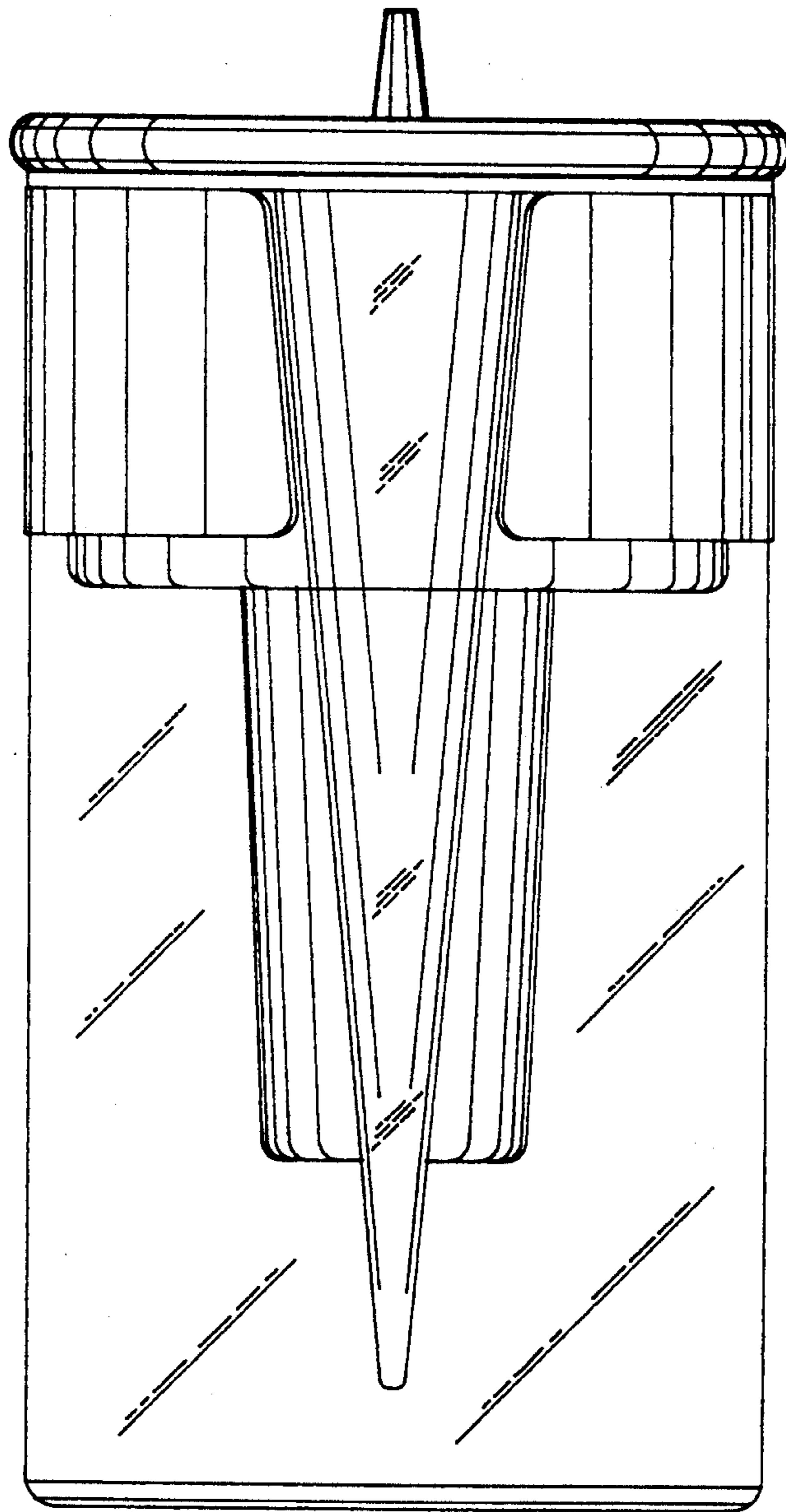
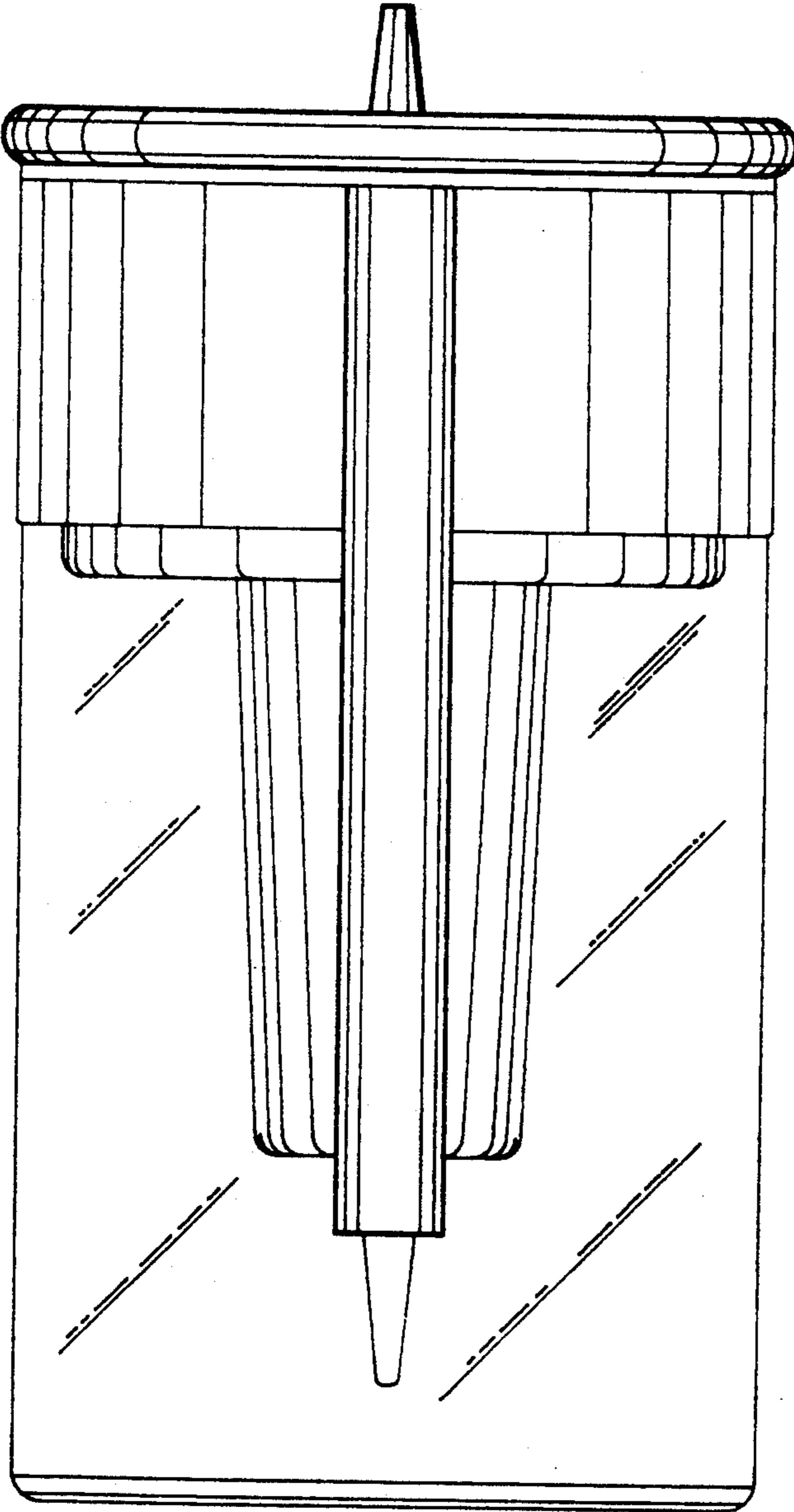


Fig. 3



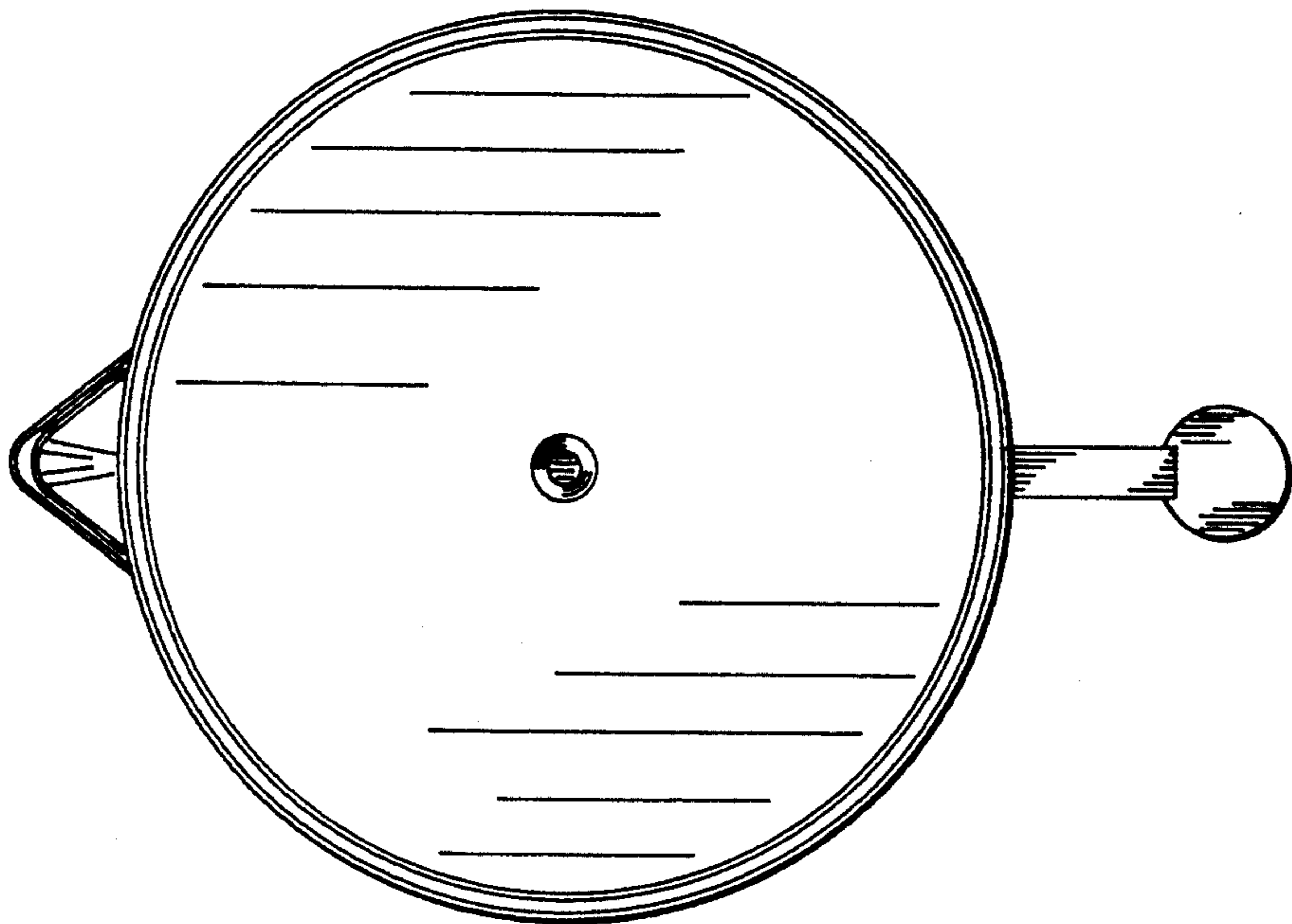


Fig. 4

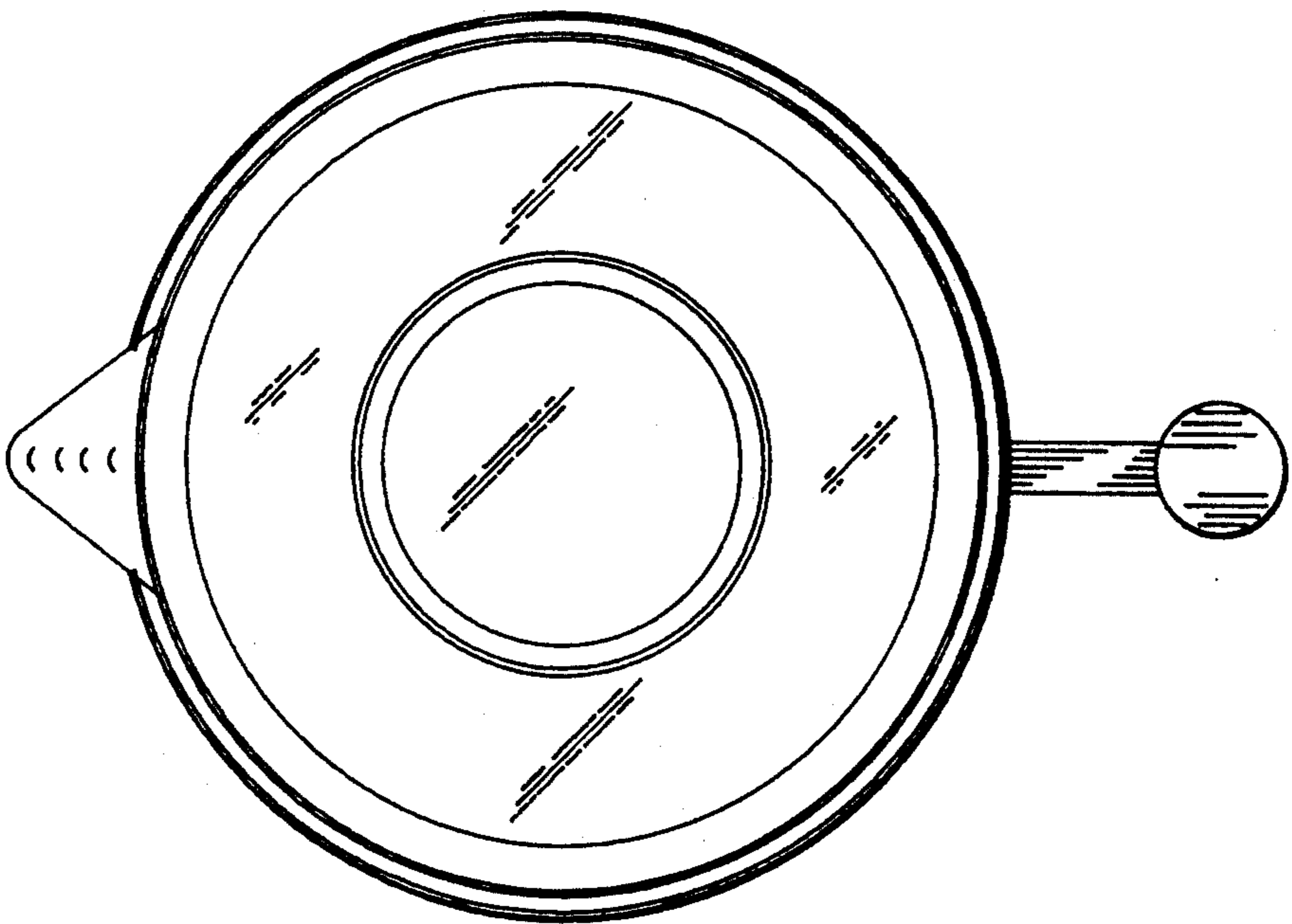


Fig. 5