



US00D336757S

United States Patent [19]

[11] Patent Number: **Des. 336,757**

Antonious

[45] Date of Patent: **** Jun. 22, 1993**

[54] PUTTER TYPE GOLF CLUB HEAD

[76] Inventor: **Anthony J. Antonious**, 205 E. Joppa Rd., Towson, Md. 21204

[**] Term: **14 Years**

[21] Appl. No.: **694,034**

[22] Filed: **May 1, 1991**

[52] U.S. Cl. **D21/217**

[58] Field of Search **D21/217, 218, 219; 273/164.1, 164.2, 167-175**

[56] References Cited

U.S. PATENT DOCUMENTS

D. 202,715	11/1965	Solheim	D21/219
3,085,804	4/1963	Pieper	273/168

OTHER PUBLICATIONS

Ping by Karsten, p. 2, upper right, old ping putter.

Primary Examiner—Melvin B. Feifer
Attorney, Agent, or Firm—N. J. Aquilino

[57] CLAIM

The ornamental design for a putter type golf club head, as shown and described.

DESCRIPTION

FIG. 1 is a front perspective view of the putter type golf club head showing my new design; FIG. 2 is a front elevational view thereof; FIG. 3 is a rear perspective view thereof; FIG. 4 is a bottom perspective view thereof; FIG. 5 is an end view thereof; and, FIG. 6 is an end view taken from the opposite side of FIG. 5.

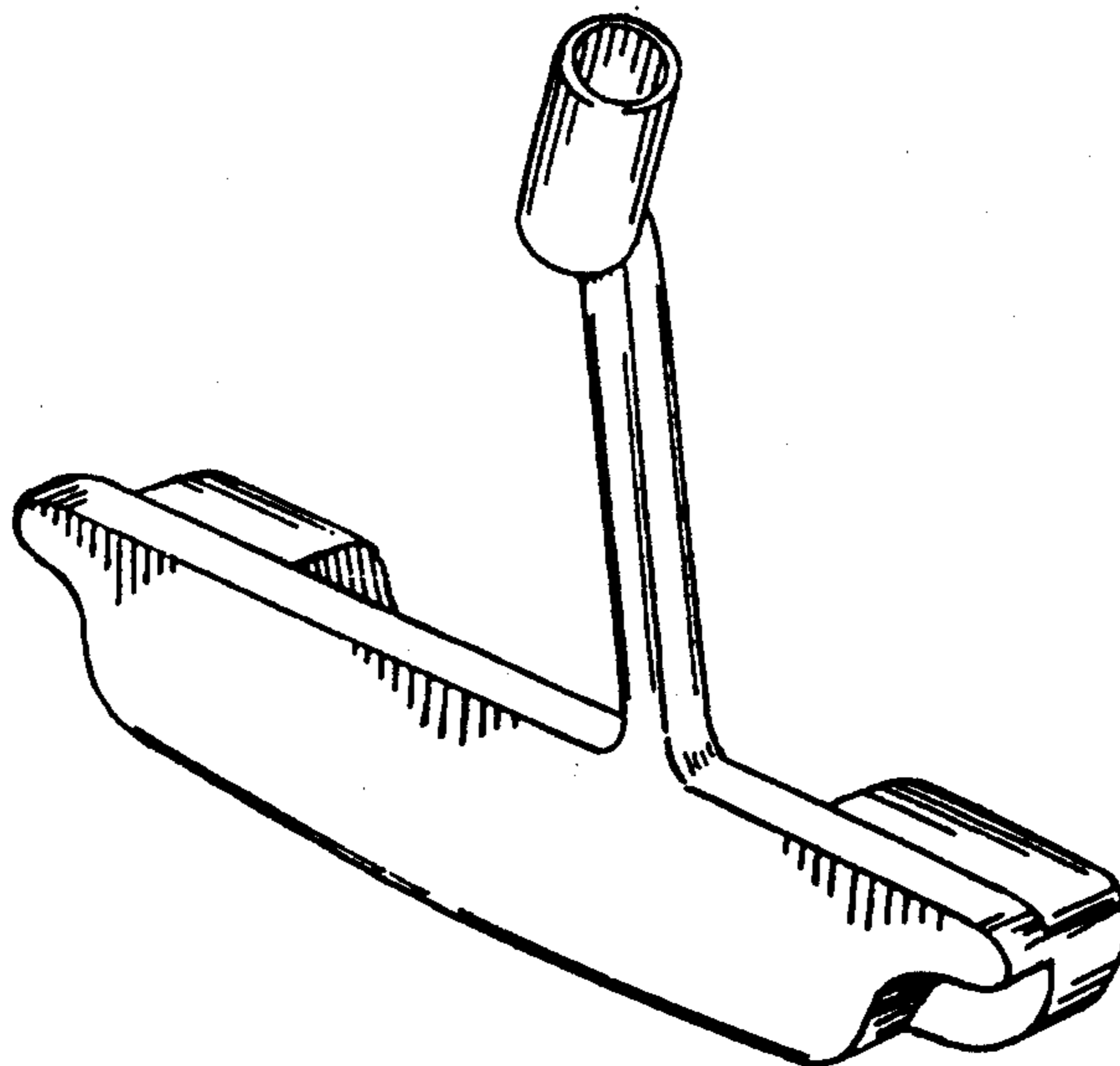


FIG. 2

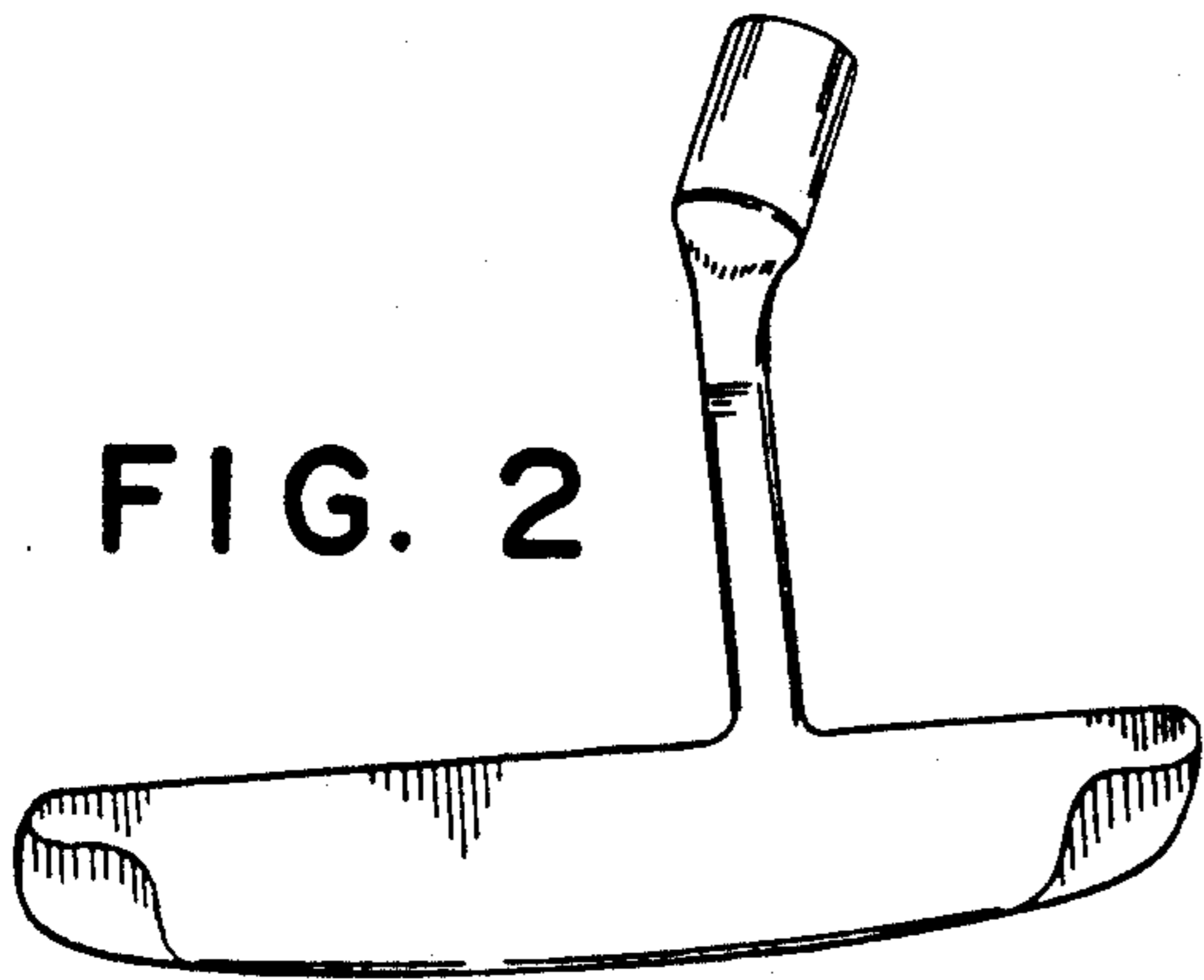


FIG. 1

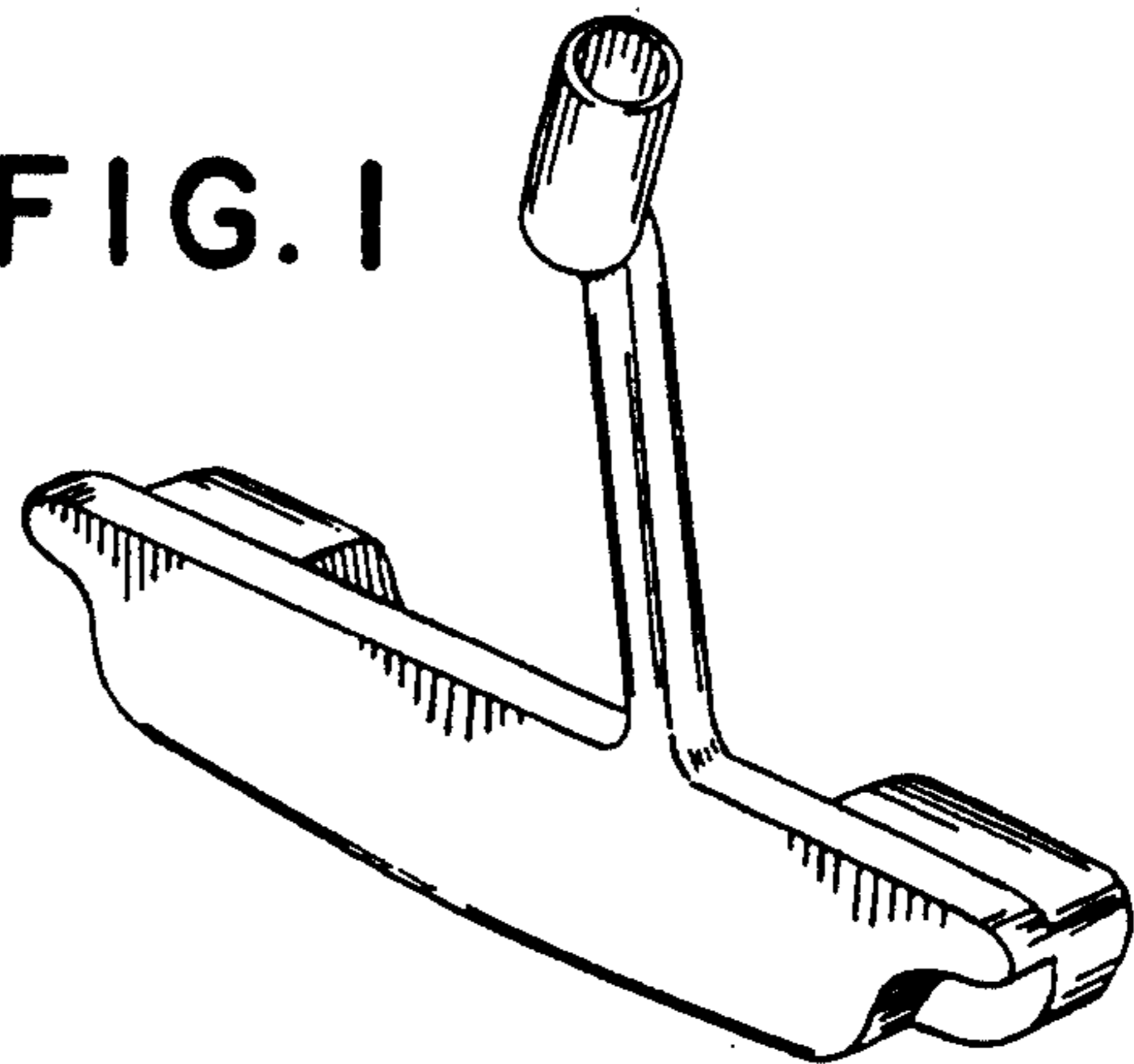


FIG. 3

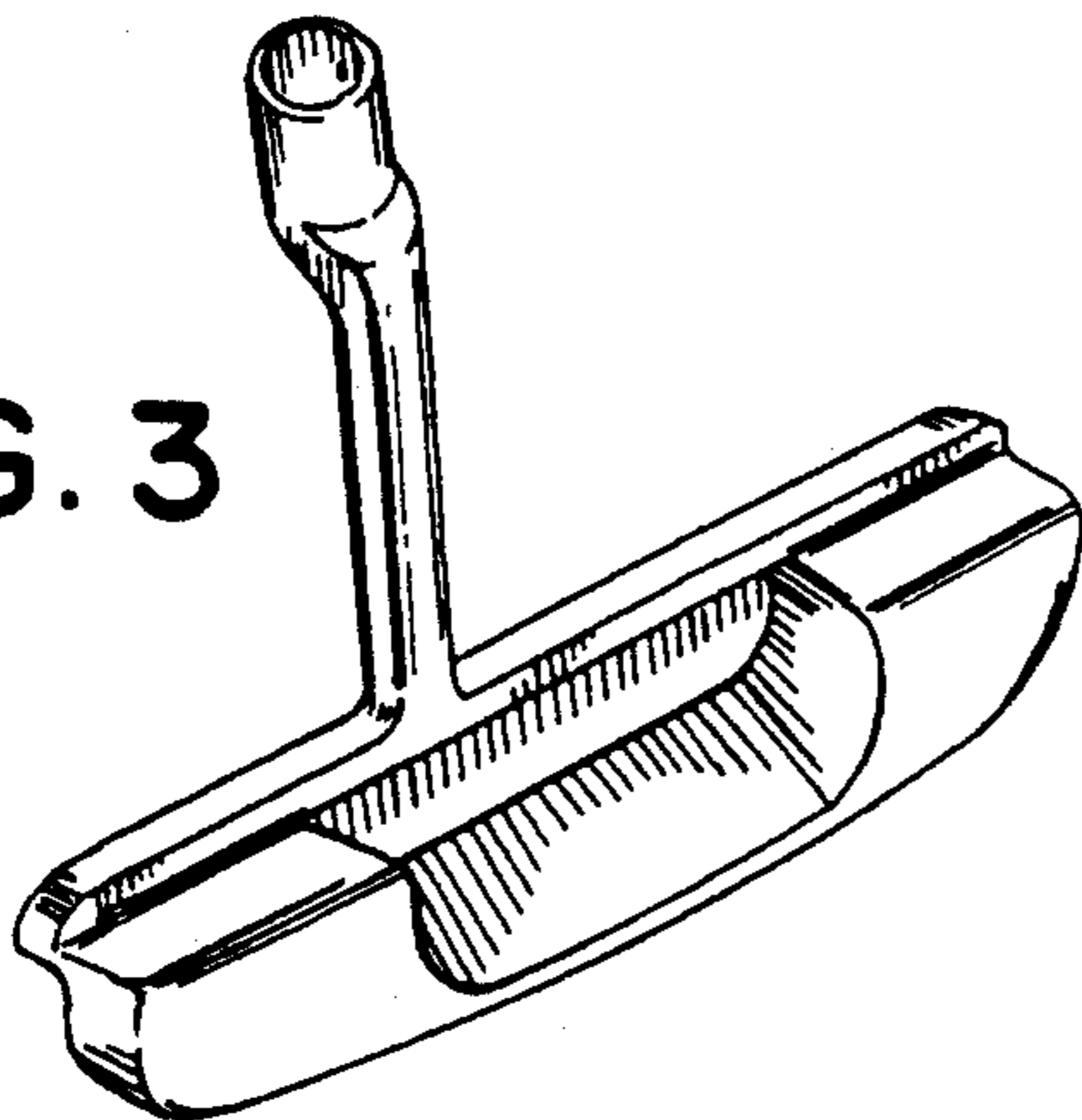


FIG. 4

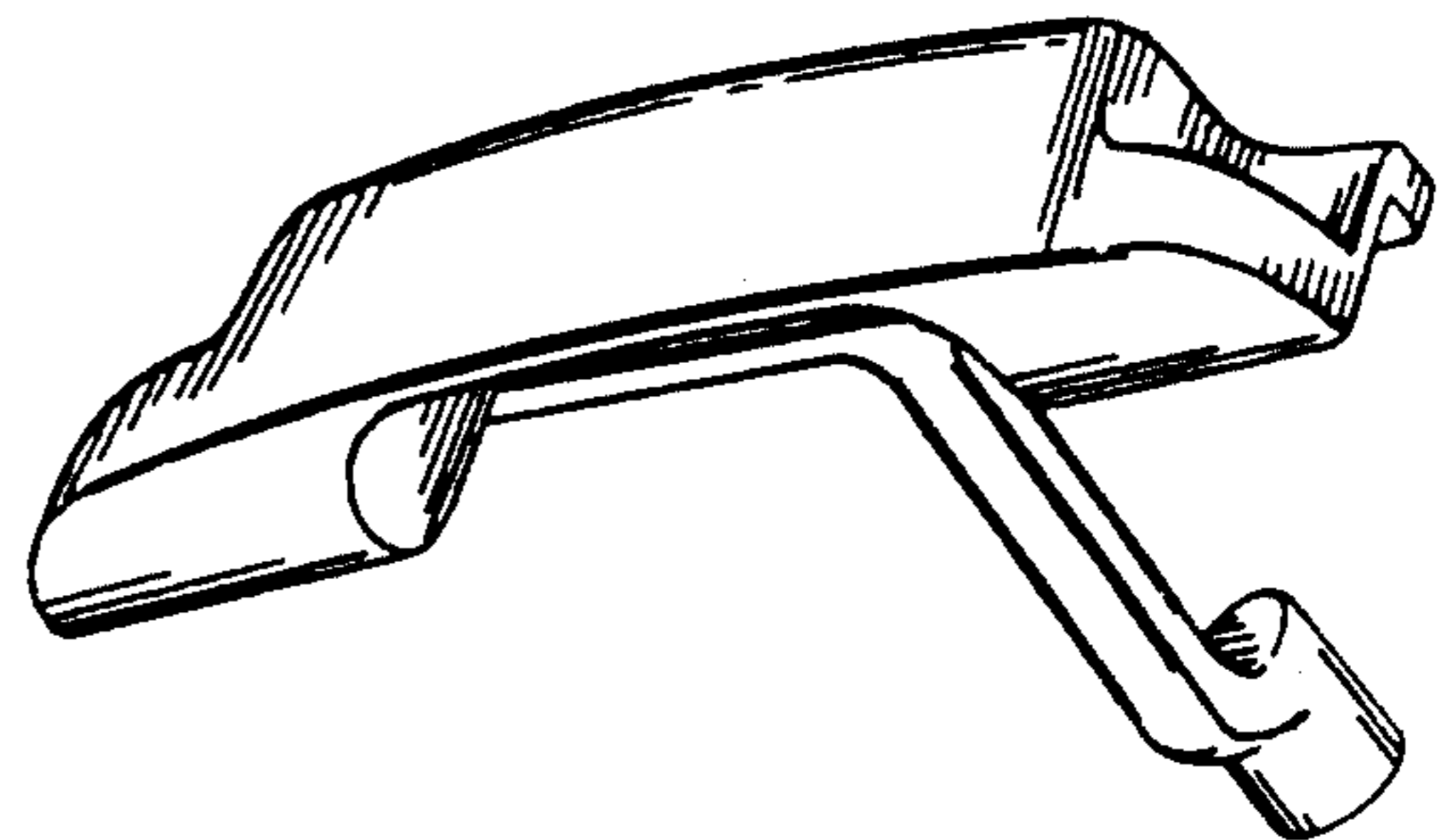


FIG. 5

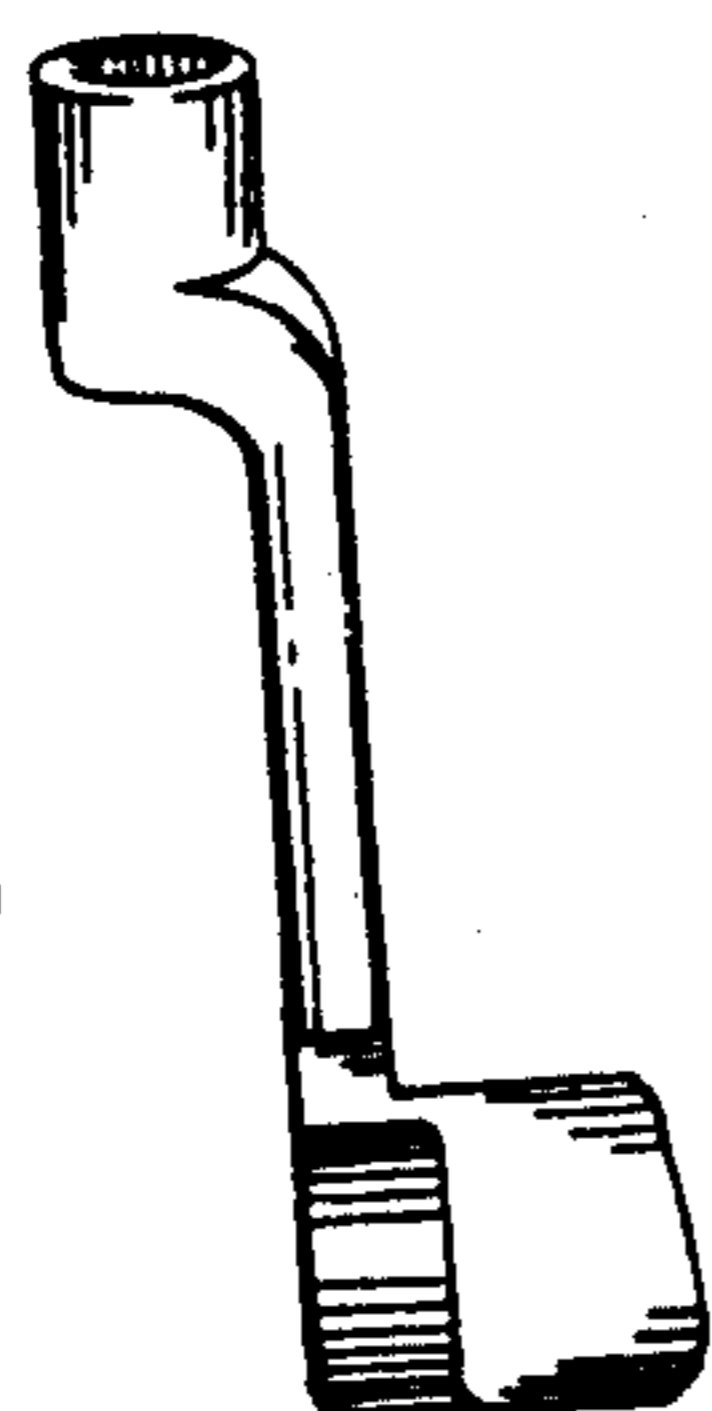


FIG. 6

