



US00D336753S

# United States Patent [19]

[11] Patent Number: **Des. 336,753**

**Chan**

[45] Date of Patent: **\*\* Jun. 22, 1993**

[54] **COMBINED HOLDER FOR MEMO PAPER AND VERTICAL FILE**

[75] Inventor: **Eric P. Chan, New York, N.Y.**

[73] Assignee: **American Trading & Production Corporation, Baltimore, Md.**

[\*\*] Term: **14 Years**

[21] Appl. No.: **814,285**

[22] Filed: **Dec. 26, 1991**

[52] U.S. Cl. .... **D19/90; D19/75; D19/86; D19/92; D19/95**

[58] Field of Search ..... **D19/35, 36, 65, 75, D19/76, 78, 86, 90, 91, 92, 95, 99, 100; 206/215, 555, 449; 211/10, 11, 55, 50, 45**

[56] **References Cited**

**U.S. PATENT DOCUMENTS**

D. 120,652	5/1940	Posnack	.....	D19/92 X
D. 139,831	12/1944	Posnack	.....	D19/84 X
D. 139,832	12/1944	Posnack	.....	D19/92 X
D. 179,534	1/1957	Bullock	.....	D19/92
D. 185,130	5/1959	Camilli	.....	D19/78
D. 251,254	3/1979	Tiedemann	.....	D19/90

D. 260,907	9/1981	Giulie et al.	.....	D19/92
D. 290,141	6/1987	Rabig	.....	D19/90
D. 308,077	5/1990	Cecchelin	.....	D19/90
D. 330,047	10/1992	Evenson	.....	D19/75 X
2,202,300	5/1940	Posnack	.....	211/69.1 X

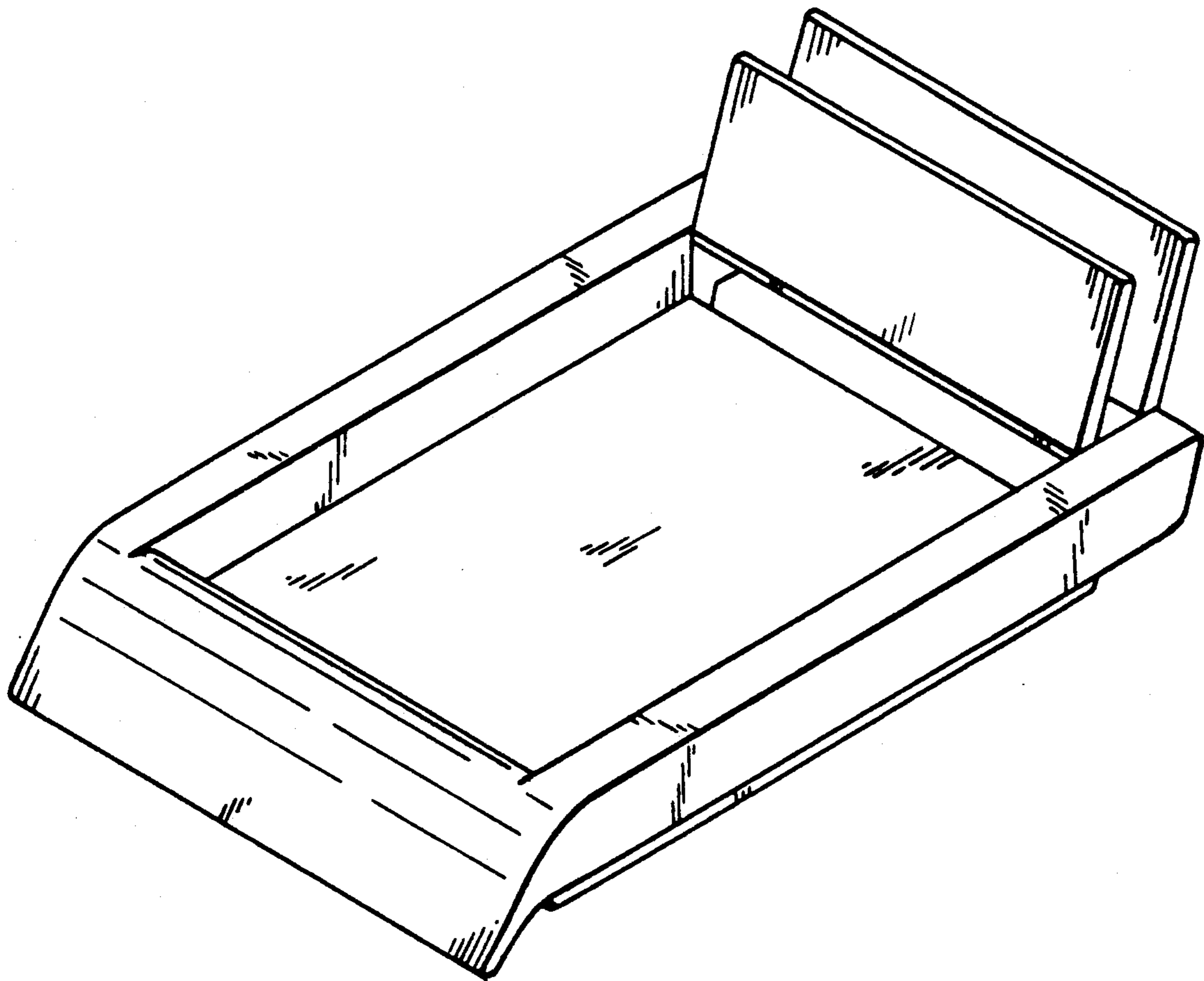
*Primary Examiner*—Nelson C. Holtje  
*Assistant Examiner*—Martha Thompson  
*Attorney, Agent, or Firm*—Cohn, Powell & Hind

[57] **CLAIM**

The ornamental design for a combined holder for memo paper and vertical file, as shown and described.

**DESCRIPTION**

FIG. 1 is an upper, front perspective view of a combined holder for memo paper and vertical file showing my new design;  
FIG. 2 is a lower, rear perspective view thereof;  
FIG. 3 is a top plan view thereof;  
FIG. 4 is a right side elevational view thereof;  
FIG. 5 is a front elevational view thereof;  
FIG. 6 is a left elevational view thereof;  
FIG. 7 is a rear elevational view thereof, and,  
FIG. 8 is a bottom plan view thereof.



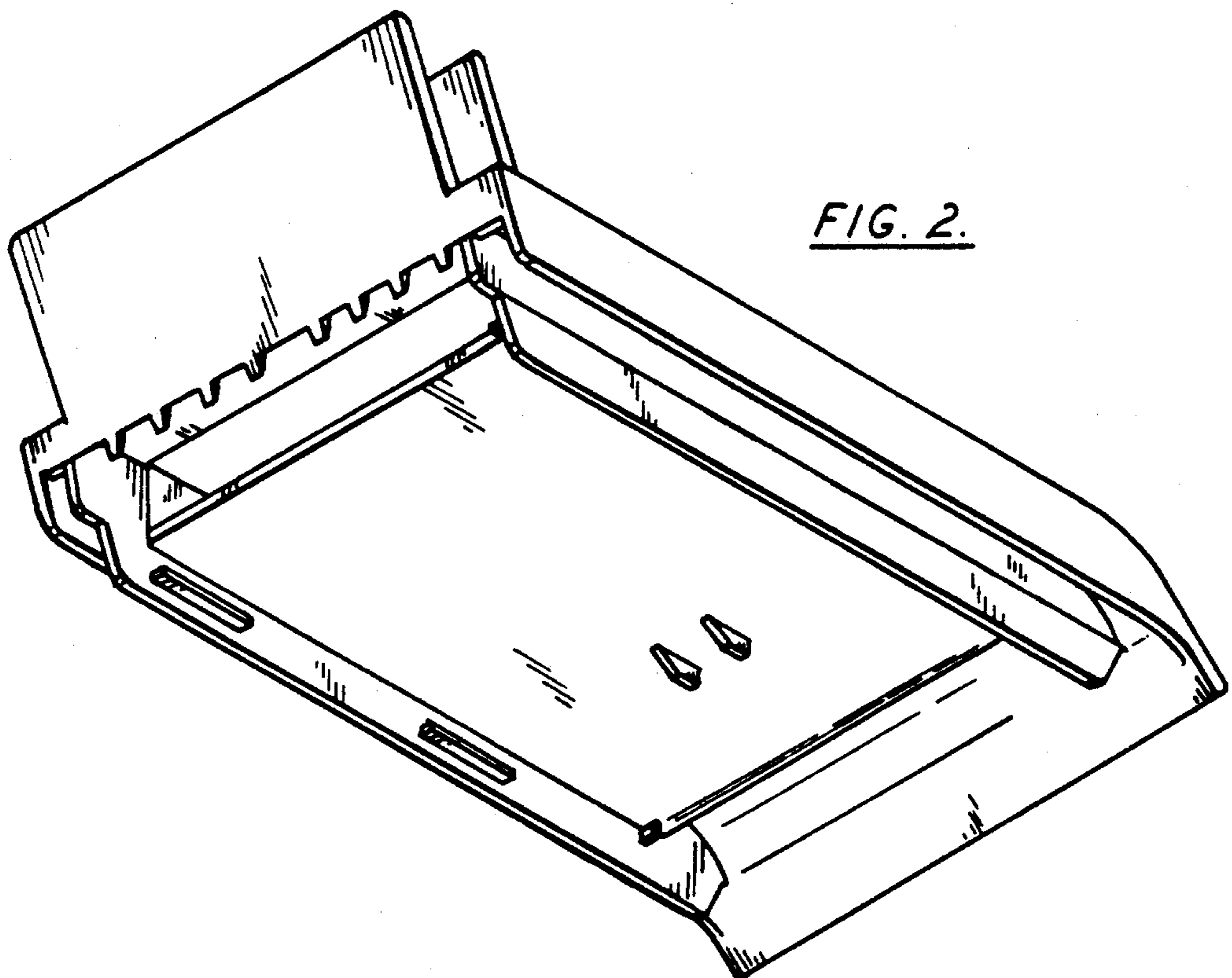
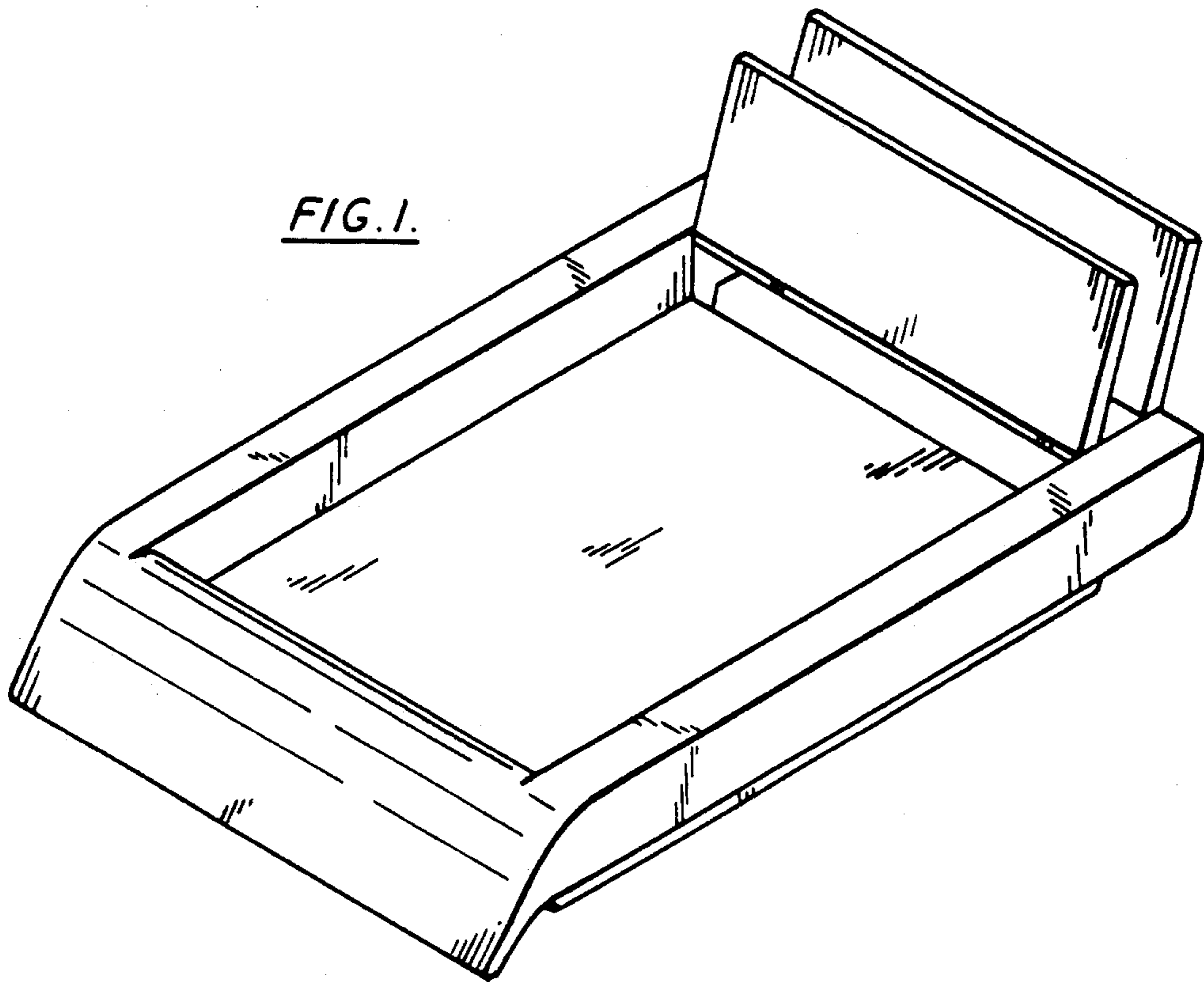


FIG. 3.

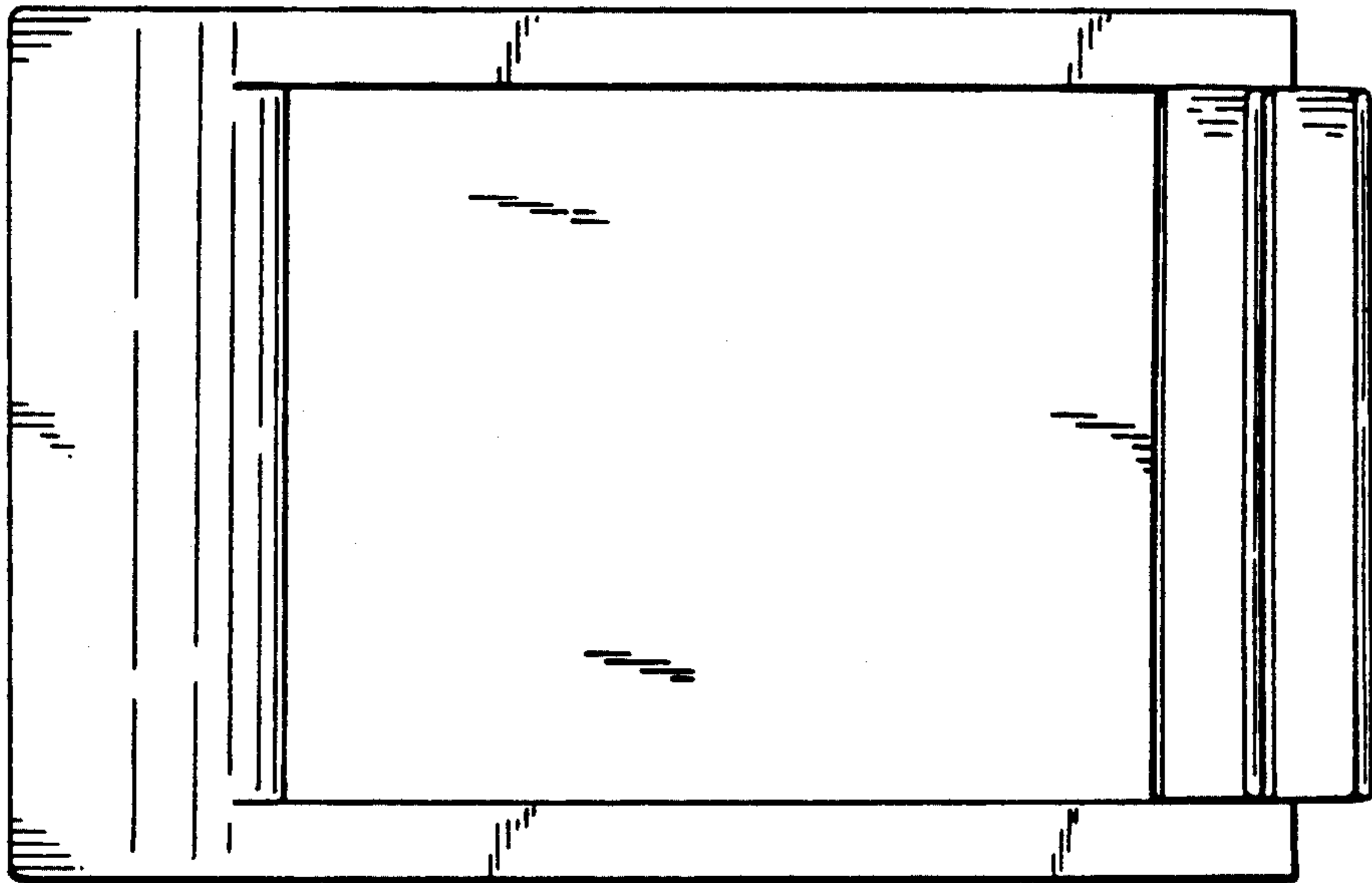


FIG. 4.

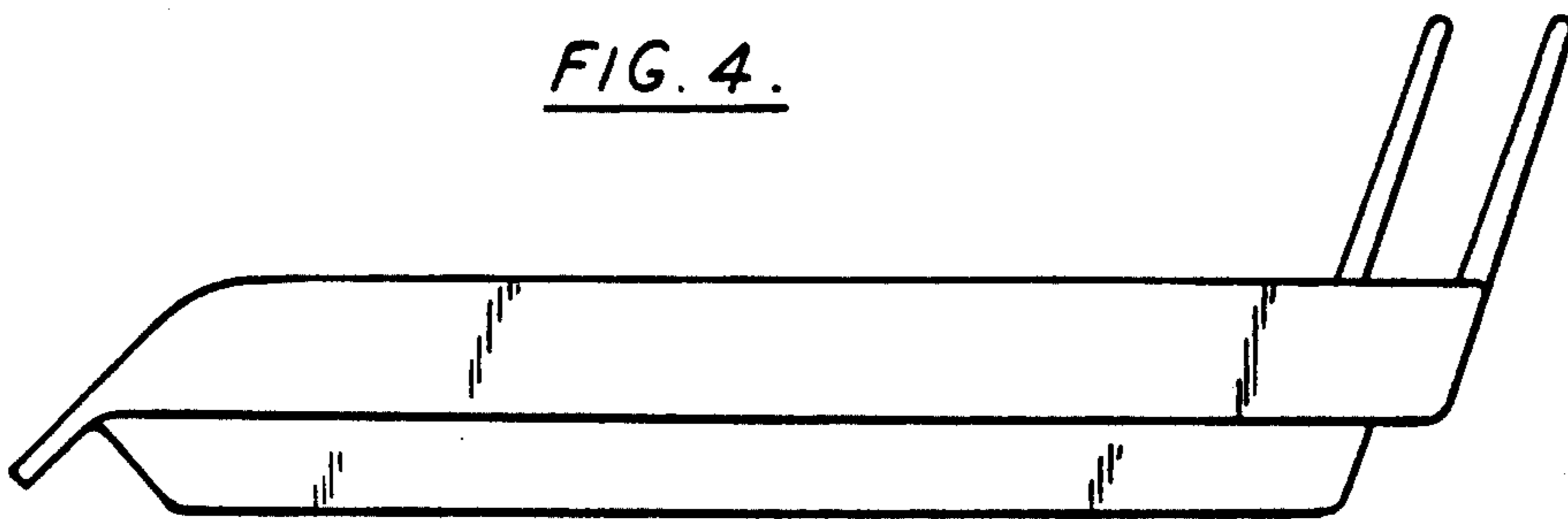


FIG. 5.

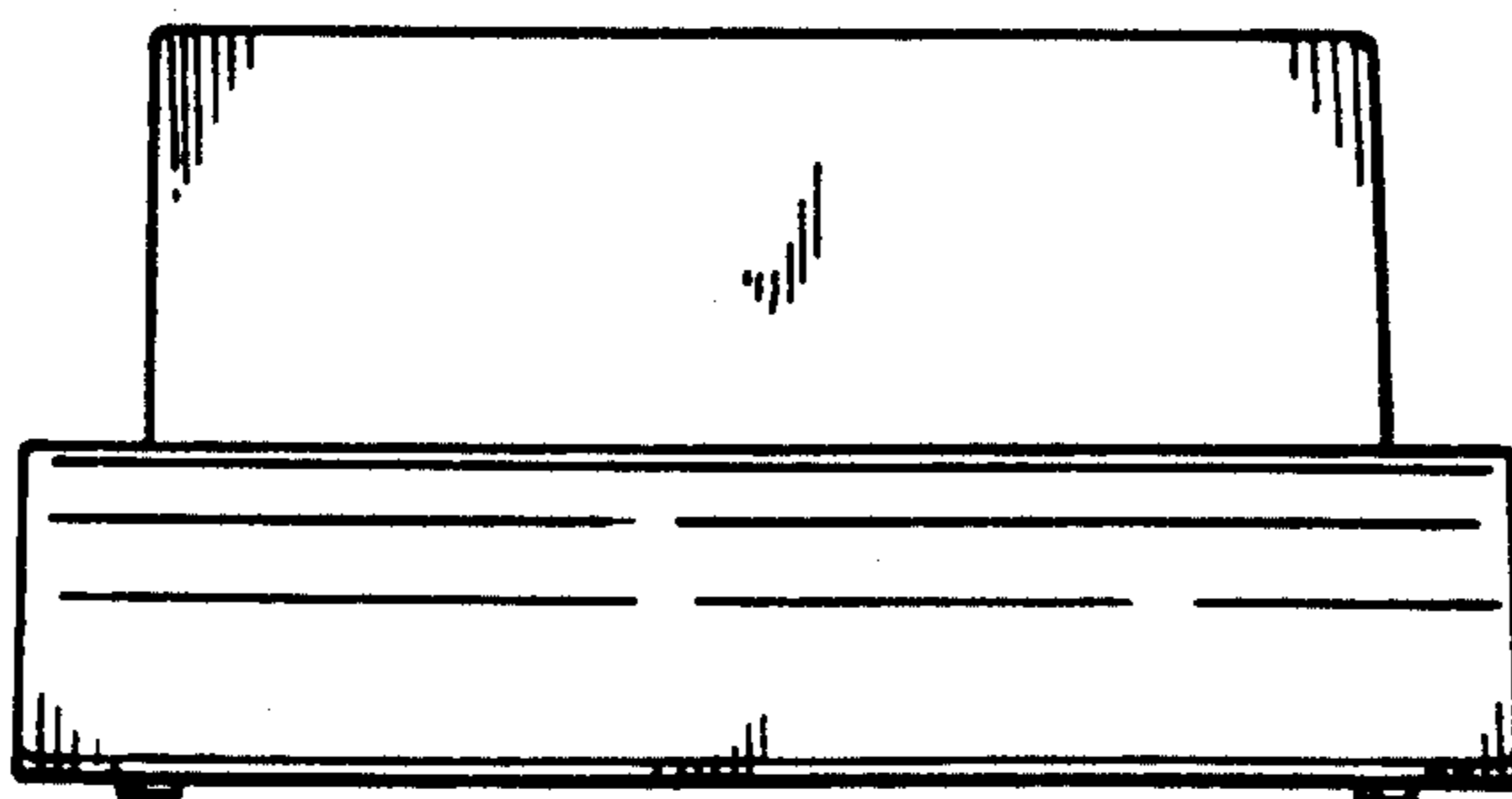


FIG. 6.

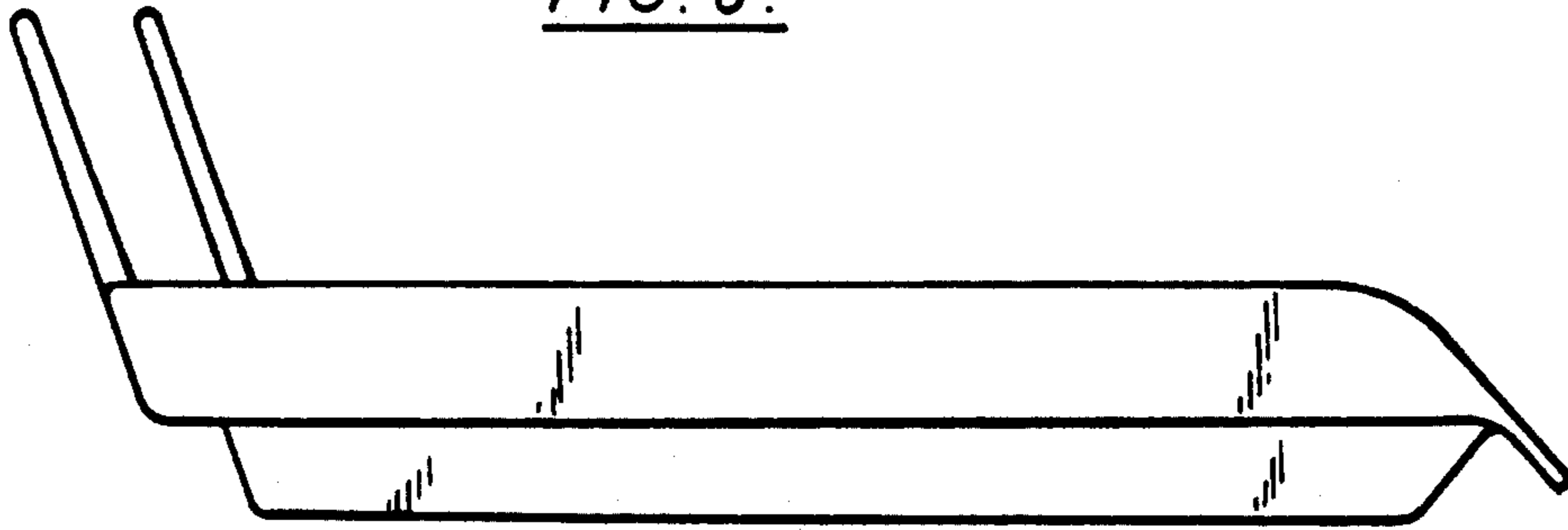


FIG. 7.

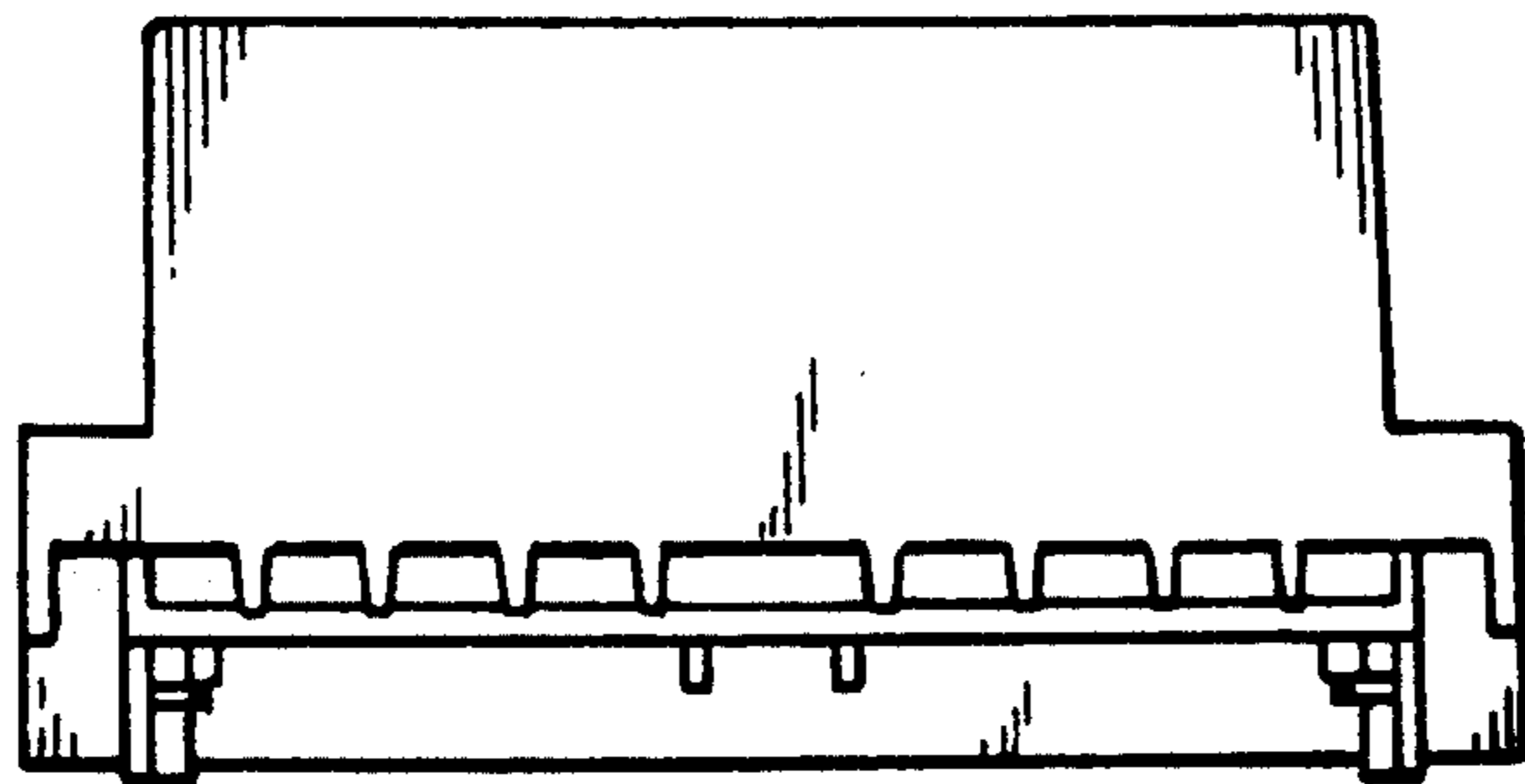


FIG. 8.

