



US00D336751S

# United States Patent [19] Mak

[11] Patent Number: **Des. 336,751**  
[45] Date of Patent: **\*\* Jun. 22, 1993**

[54] **DRAWING BOARD**  
[75] Inventor: **Kai-Shun Mak**, New Territories,  
Hong Kong  
[73] Assignee: **Hop Lee Cheong Industrial Co.**  
[\*\*] Term: **14 Years**  
[21] Appl. No.: **837,144**  
[22] Filed: **Feb. 19, 1992**  
[52] U.S. Cl. .... **D19/52; D19/35;**  
**D21/59**  
[58] Field of Search ..... **D21/59; D19/35, 36,**  
**D19/52, 65, 99, 100, 59-64; 434/81, 85, 86, 90,**  
**428, 430, 432**

D. 327,498 6/1992 Watson et al. .... D19/52  
D. 330,042 10/1992 Yamaguchi et al. .... D19/52 X  
4,306,868 12/1981 Hankins ..... 434/85  
4,801,266 1/1989 Kinberg ..... 434/81

### FOREIGN PATENT DOCUMENTS

2758642 5/1979 Fed. Rep. of Germany ..... 434/85

*Primary Examiner*—Nelson C. Holtje  
*Assistant Examiner*—Martha Thompson  
*Attorney, Agent, or Firm*—Burns, Doane, Swecker &  
Mathis

### [57] CLAIM

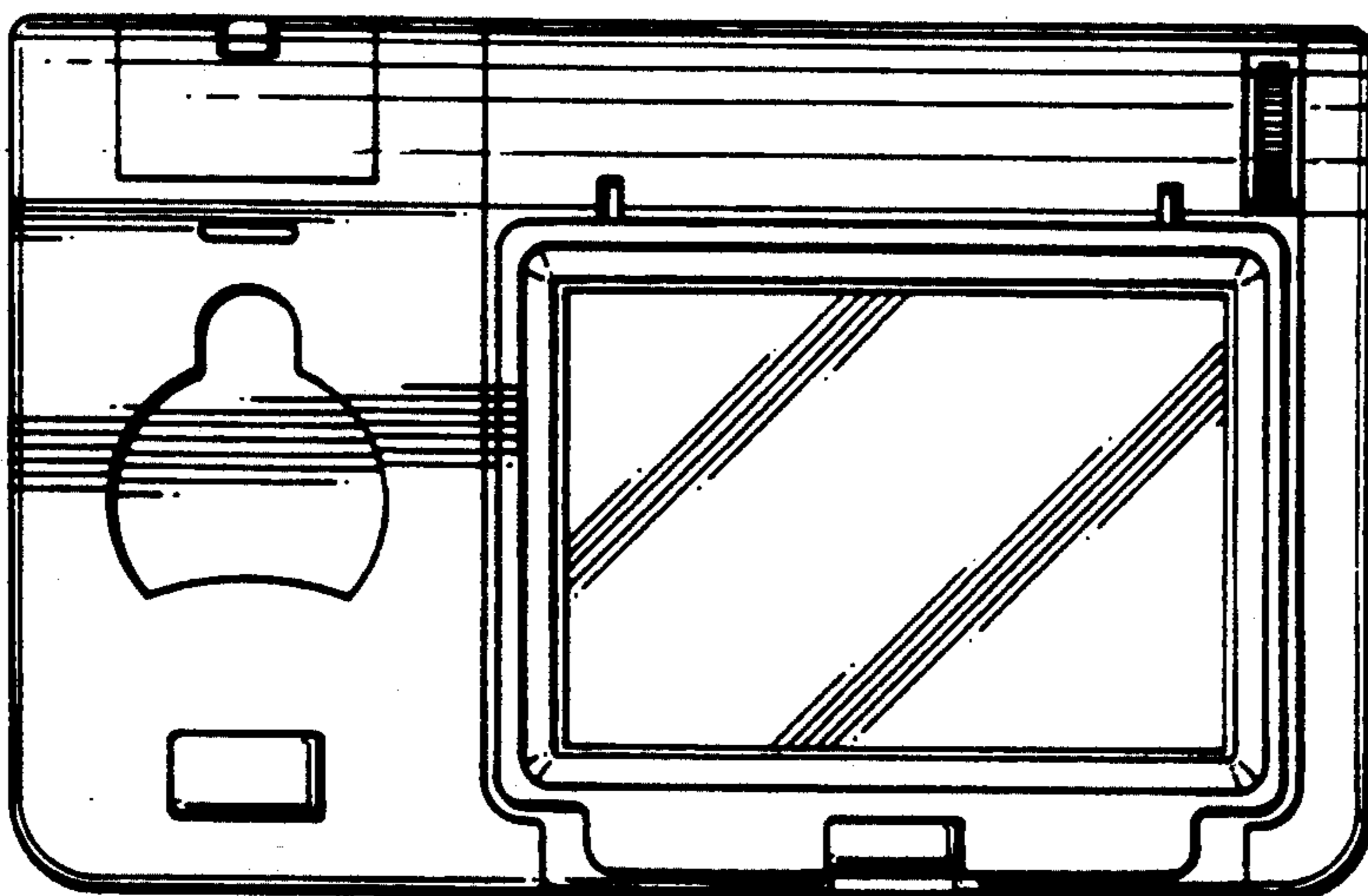
The ornamental design for a drawing board, as shown and described.

### DESCRIPTION

FIG. 1 is a front elevational view of a drawing board showing my new design;  
FIG. 2 is the rear elevational view thereof;  
FIG. 3 is the left side view thereof;  
FIG. 4 is the right side view thereof;  
FIG. 5 is the top plan view thereof; and,  
FIG. 6 is the bottom plan view thereof.

### [56] References Cited U.S. PATENT DOCUMENTS

D. 224,739 9/1972 Lamberson ..... D19/52 X  
D. 279,489 7/1985 Mak ..... D21/59  
D. 279,490 7/1985 Mak ..... D21/59  
D. 282,183 1/1986 Shiraishi ..... D21/59  
D. 299,472 1/1989 Phinney ..... D19/60 X



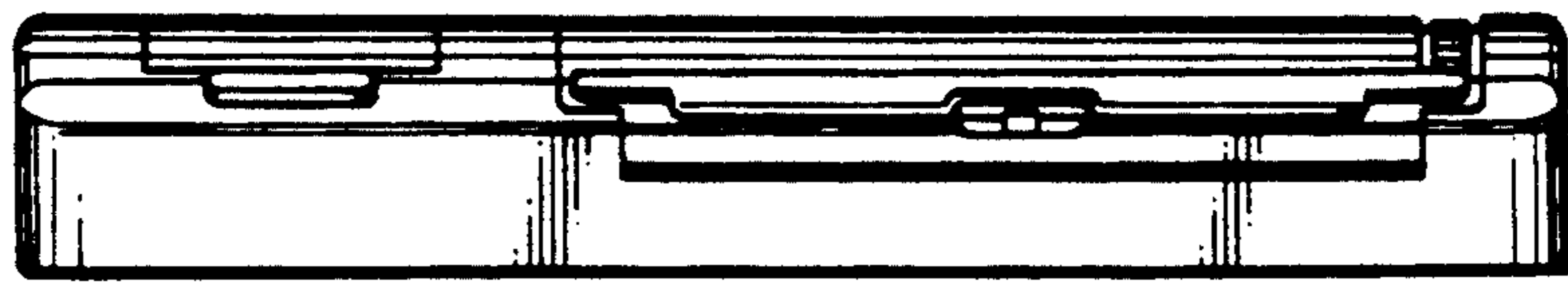


FIG. 1

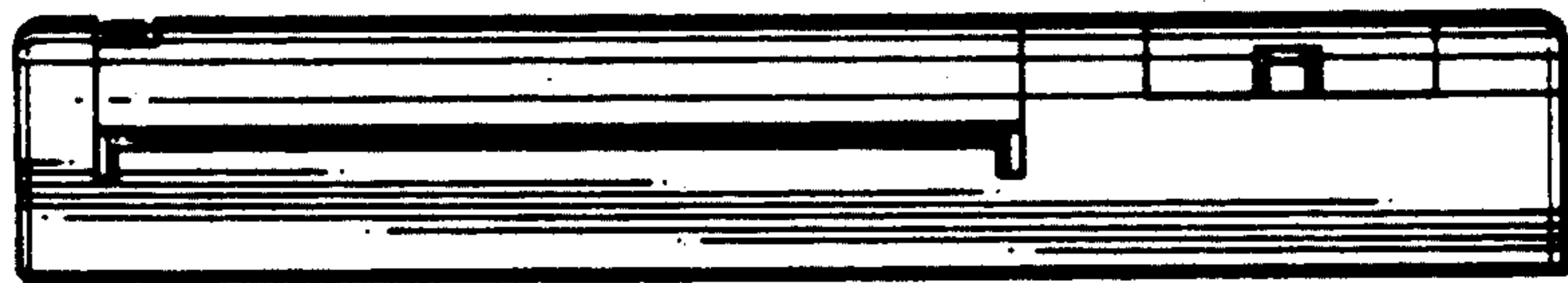


FIG. 2

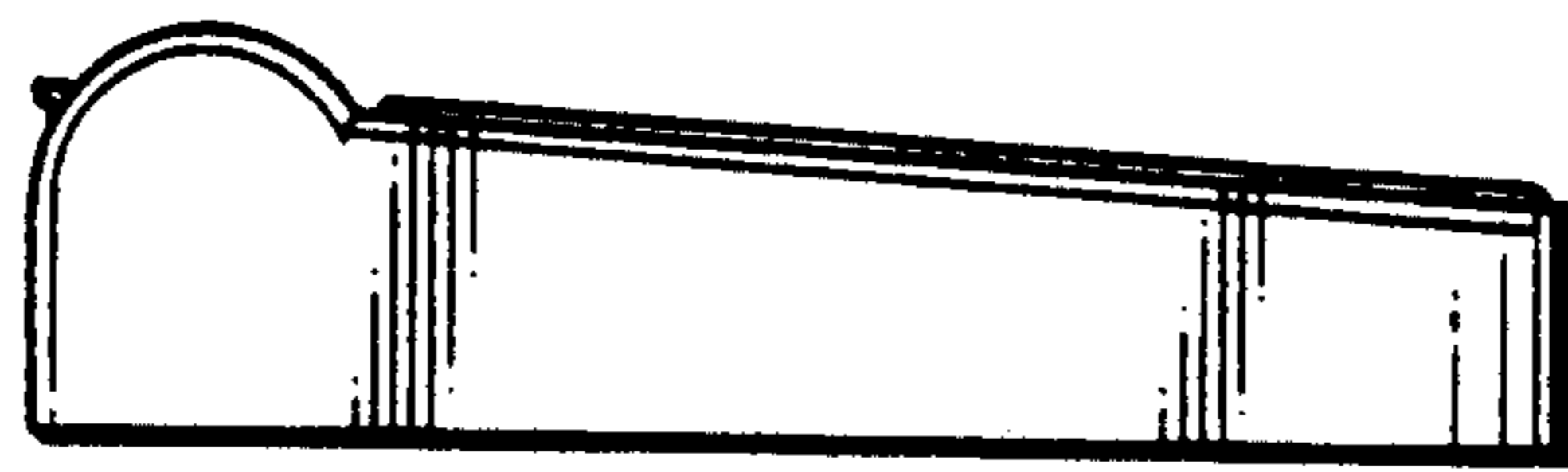


FIG. 3



FIG. 4

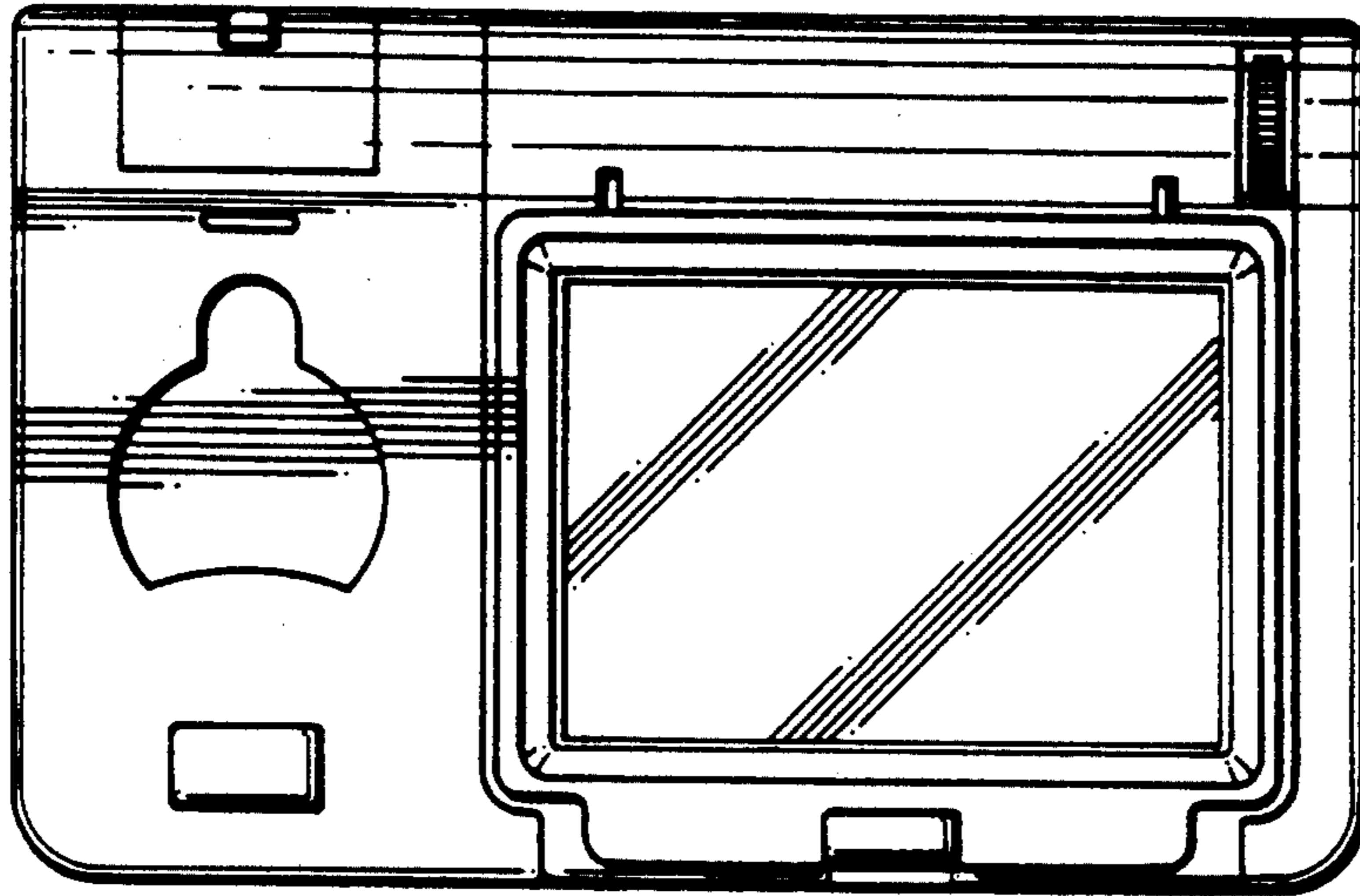


FIG. 5

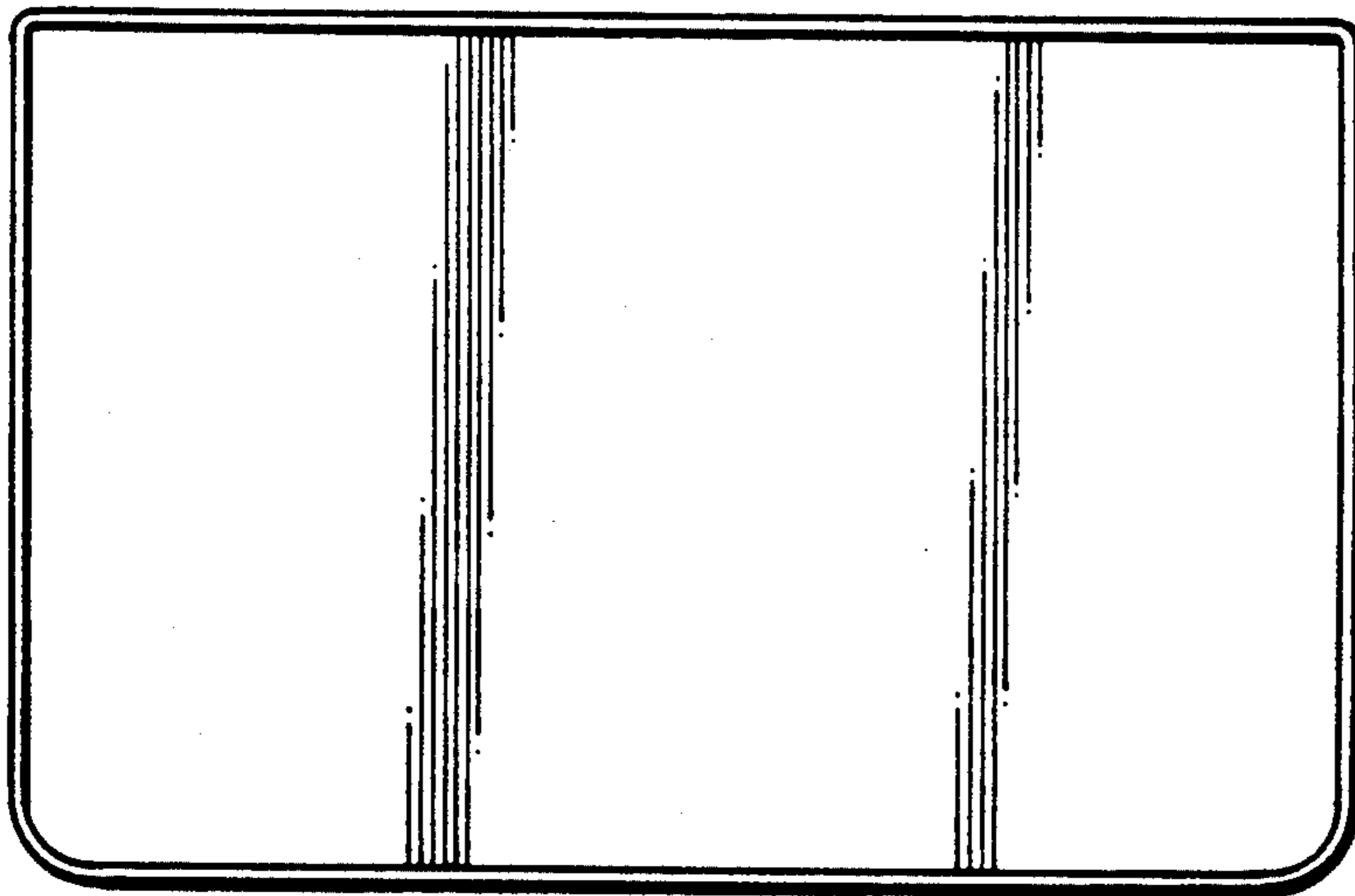


FIG. 6