



US00D336750S

United States Patent [19]

[11] Patent Number: **Des. 336,750**

Bundy

[45] Date of Patent: **** Jun. 22, 1993**

[54] **CLAMPING APPARATUS FOR REPAIRING AN AUTOMOBILE CHASSIS**

Assistant Examiner—Antoine D. Davis
Attorney, Agent, or Firm—Weintraub, DuRoss and Brady

[76] Inventor: **Douglas M. Bundy**, 12268 N. Saginaw Rd., Clio, Mich. 48420

[57] **CLAIM**

[**] Term: **14 Years**

The ornamental design for a clamping apparatus for repairing an automobile chassis, as shown and described.

[21] Appl. No.: **683,759**

[22] Filed: **Apr. 11, 1991**

DESCRIPTION

[52] U.S. Cl. **D15/140**

[58] Field of Search **D15/138-142; D8/394-398; 72/308, 309, 310, 311-323, 705**

FIG. 1 is a perspective view of the clamping apparatus for repairing an automobile chassis showing my new design; an attachment bracket for use therewith is shown in phantom outline for purposes of illustrations only;

[56] **References Cited**

U.S. PATENT DOCUMENTS

D. 135,112	2/1943	Jamison	D8/394
D. 199,694	12/1964	Belke	D15/140
D. 217,631	5/1970	Hunnicutt et al.	D15/140
D. 229,392	11/1973	Faust	D8/394
D. 306,136	2/1990	Lund	D8/395
3,797,295	3/1974	Sanchez	72/308
5,156,037	10/1992	Bundy	72/705 X

FIG. 2 is a front elevational side view thereof the rear side elevational view being a mirror image thereof;

FIG. 3 is a left side elevational view thereof;

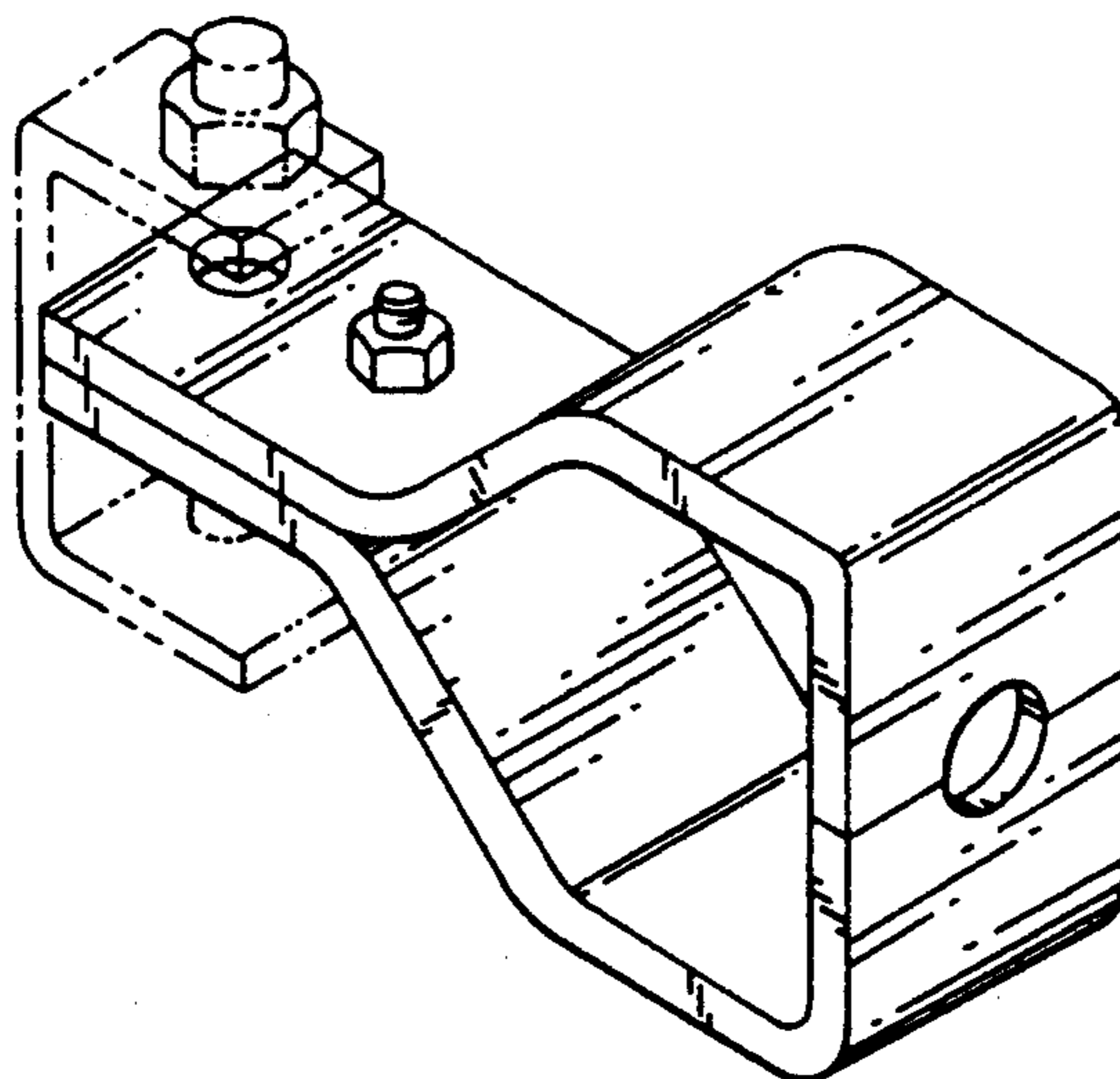
FIG. 4 is a right side elevational view thereof;

FIG. 5 is a top plan view thereof; and,

FIG. 6 is a bottom plan view thereof.

The broken line showing of an attachment bracket in FIGS. 1 and 2 is for environmental purposes only and forms no part of the claimed design.

Primary Examiner—Alan P. Douglas



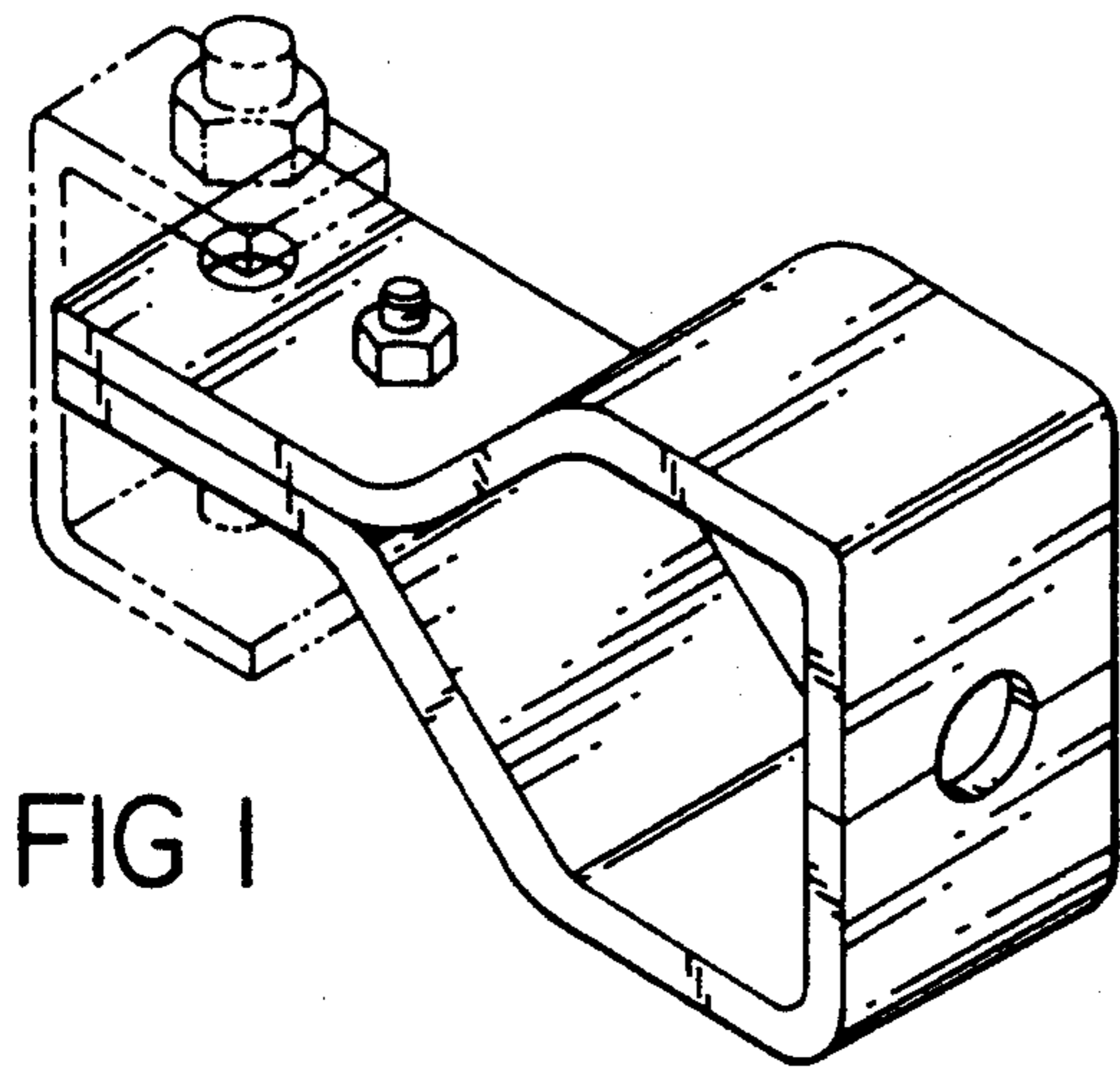


FIG 1

FIG 3

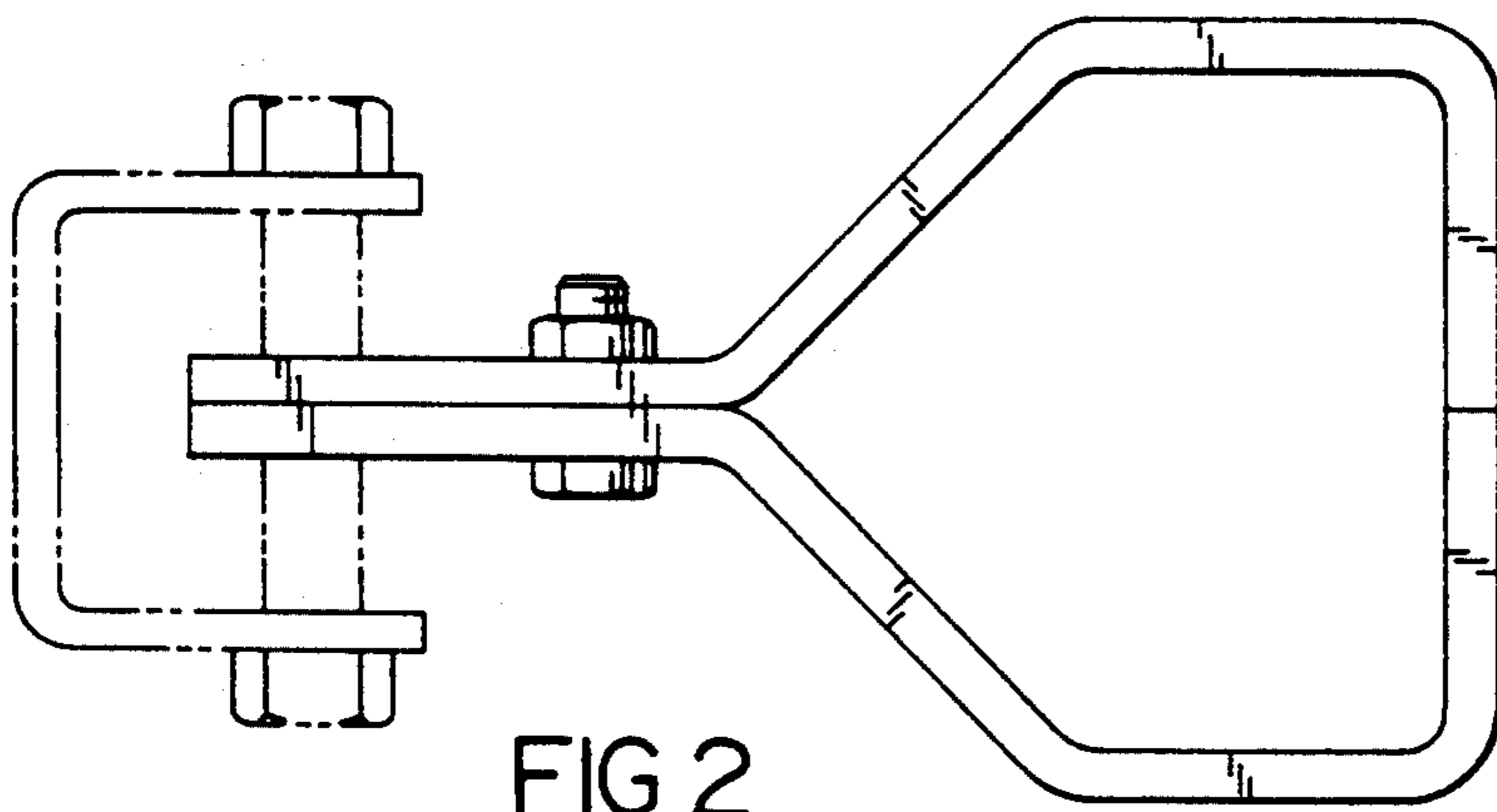
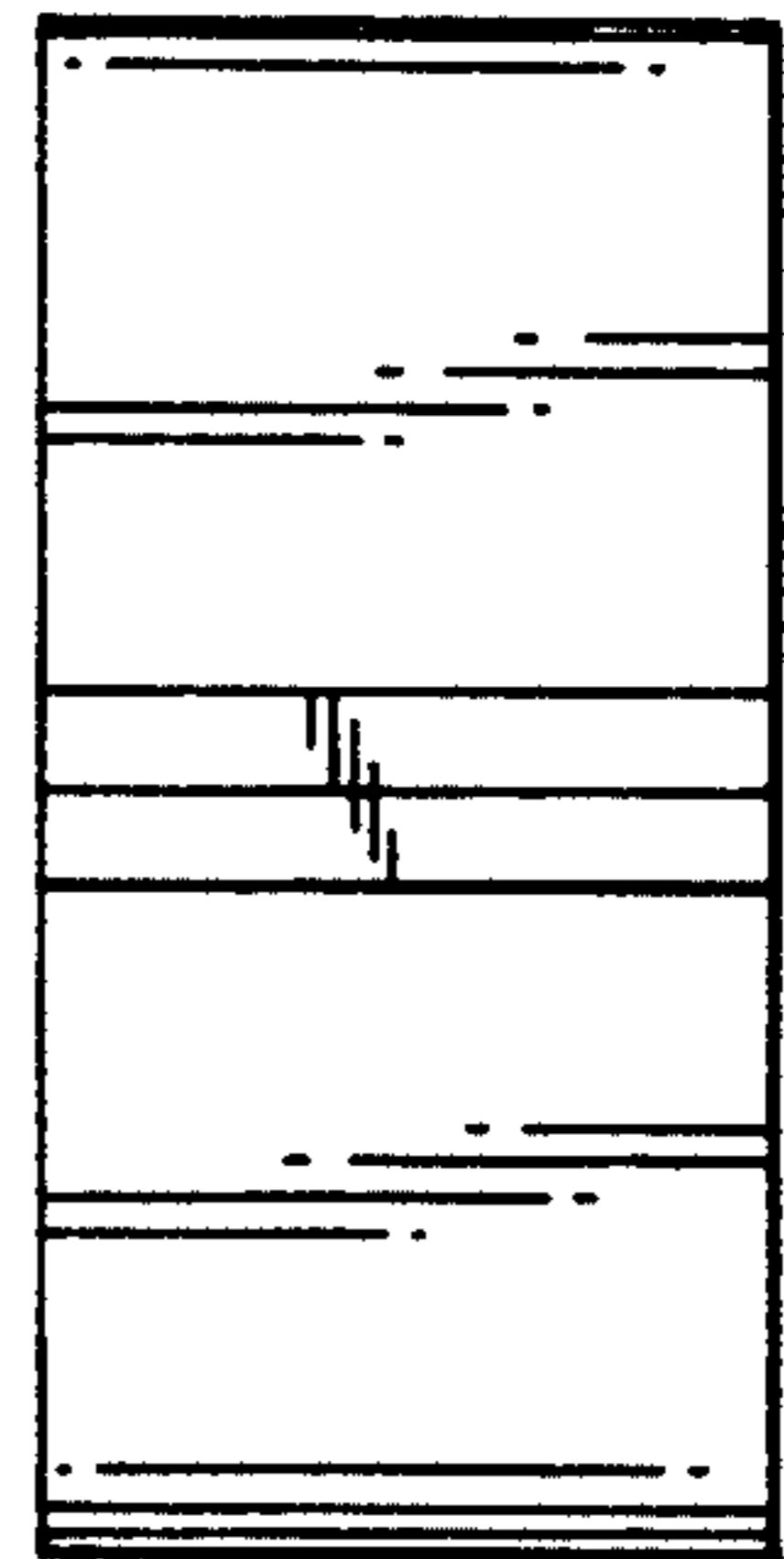


FIG 2

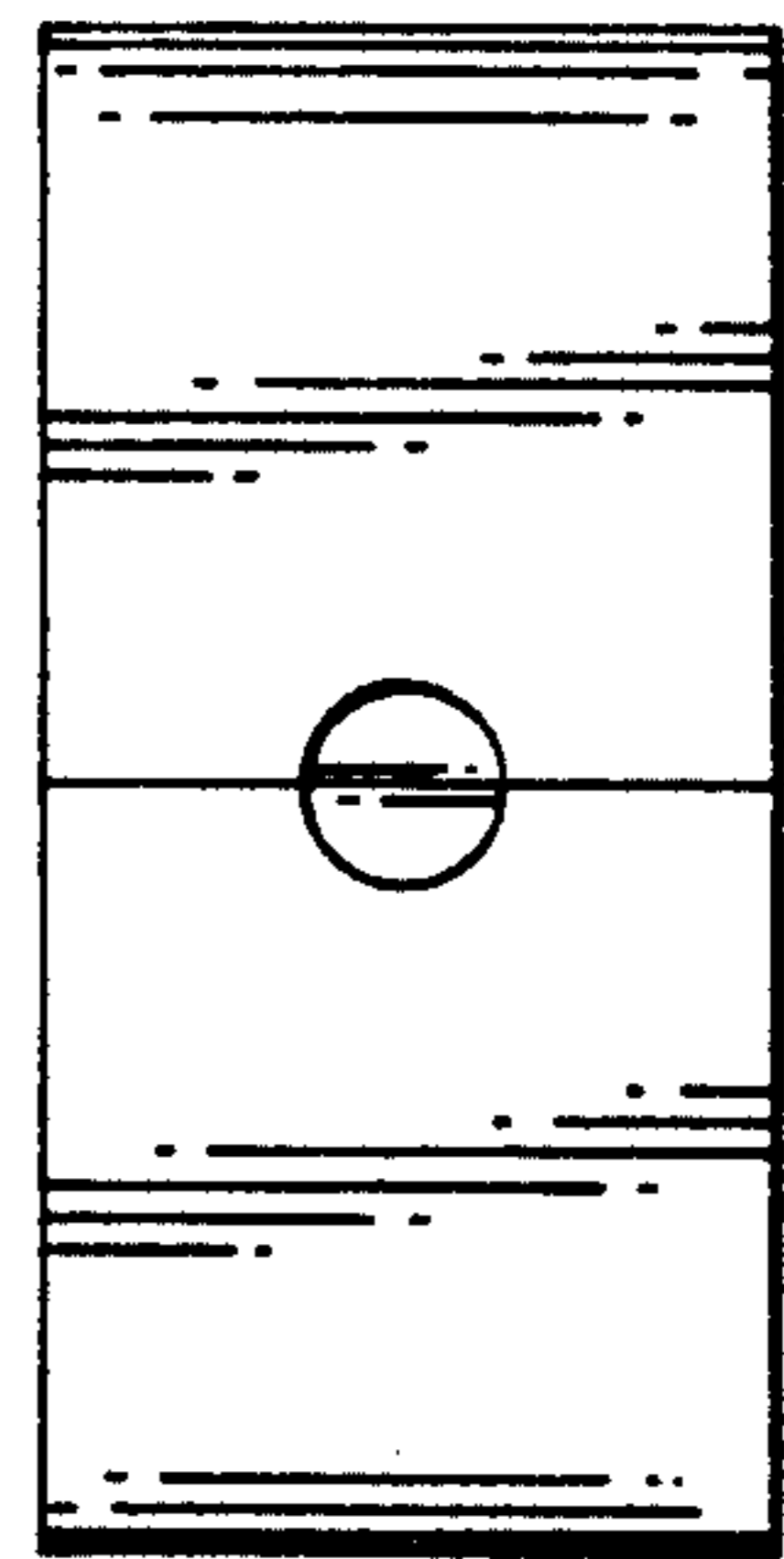


FIG 4

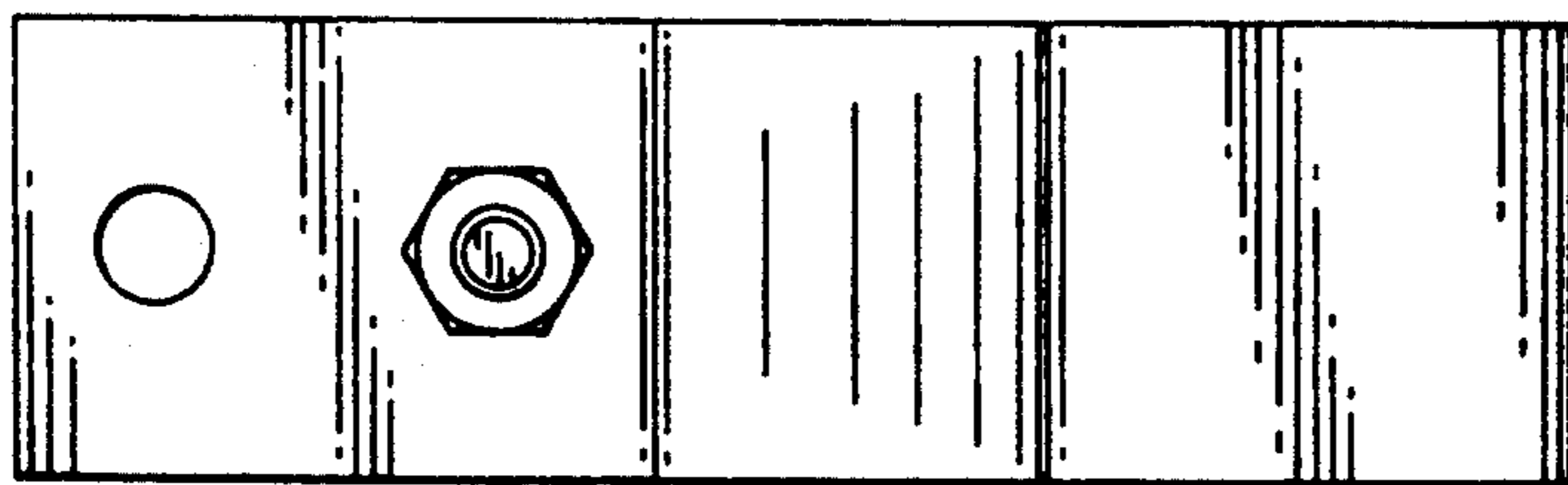


FIG 5

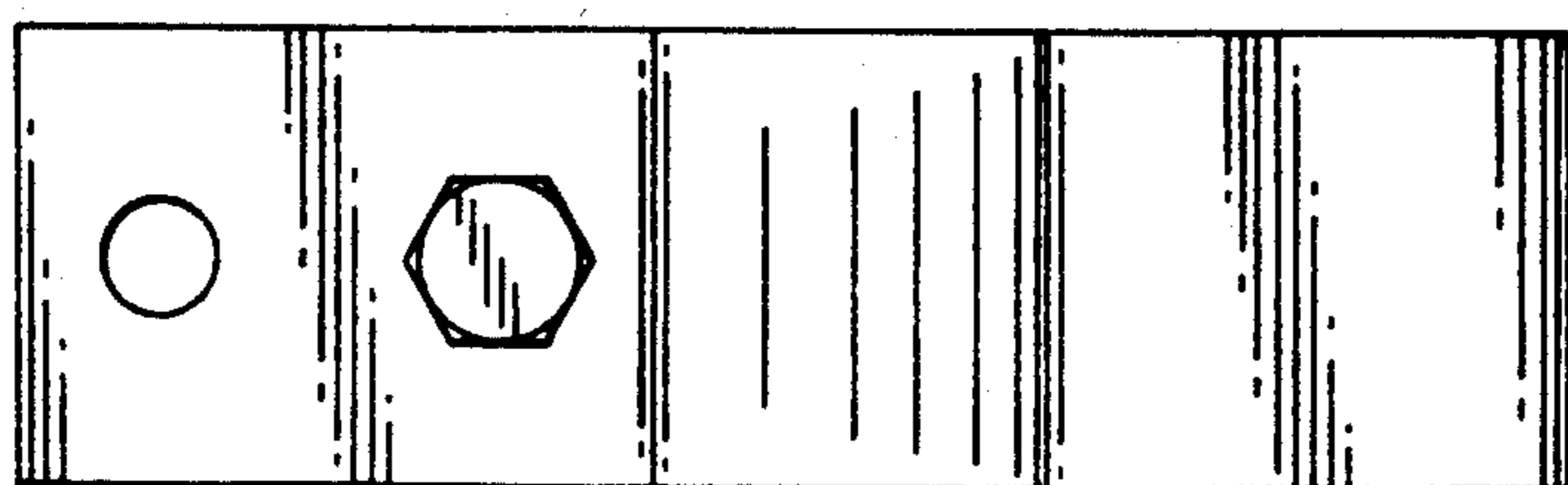


FIG 6