



US00D336744S

United States Patent [19]

Kahn et al.

[11] Patent Number: **Des. 336,744**

[45] Date of Patent: **** Jun. 22, 1993**

[54] **WALL-MOUNTED LIGHTING CONTROL**

[75] Inventors: **Wayne L. Kahn**, Allentown; **Michael J. D'Aleo**, Erwinna, both of Pa.

[73] Assignee: **Lutron Electronics Co., Inc.**, Coopersburg, Pa.

[**] Term: **14 Years**

[21] Appl. No.: **392,242**

[22] Filed: **Aug. 10, 1989**

[52] U.S. Cl. **D13/171; D13/158**

[58] Field of Search **D8/350-353; D13/158, 168-171, 162; 74/55, 56; 174/66; 200/310, 330, 332, 341; 220/241; 323/905; D10/49-51, 103; D7/351; D14/115**

[56] **References Cited**

U.S. PATENT DOCUMENTS

D. 254,849	4/1980	Matsuda	D13/169
D. 271,569	11/1983	Lui et al.	D10/49
D. 287,242	12/1986	Liss et al.	D8/353
D. 301,119	5/1989	Arnott	D10/50
D. 310,340	9/1990	Wada et al.	D10/50
D. 311,371	10/1990	Jacoby	D13/171
D. 315,145	3/1991	Pearlman et al.	D13/169
3,437,738	4/1969	Wagner	174/55
3,816,686	6/1974	Budd et al.	200/330
4,323,773	4/1982	Carpenter	D7/351
4,737,609	4/1988	Yuhasz et al.	200/330

OTHER PUBLICATIONS

Slater Wallplates, copyright 1982 p. 52 "One Gang" decorator opening, top left.

Lutron Nova T Brochure P/N360-172, Nova T Electronic Touch-Switch.

Lutron Electronics Co. Brochure—Nova T® Thin--

Profile Controls Selection Guide—P/N 360-264 dated Jul. 1989.

Home Automation Limited Brochure—p. 7 dated Feb. 1982.

Westek Touch-A-Level Lamp Dimmer Display Packaging—Model 4009 Advanced Technology Dynasty 2000 Touch Dimmer Display undated Packaging—Model TI-101 undated.

Primary Examiner—B. J. Bullock

Assistant Examiner—S. Morris

Attorney, Agent, or Firm—Warren W. Kurz

[57] **CLAIM**

The ornamental design for a wall-mounted lighting control, as shown and described.

DESCRIPTION

FIG. 1 is a front elevational view of a wall-mounted lighting control, showing our new design;

FIG. 2 is a right side elevational view thereof, the left side being a mirror image;

FIG. 3 is a bottom view thereof, the top being substantially a mirror image;

FIG. 4 is an isometric view thereof;

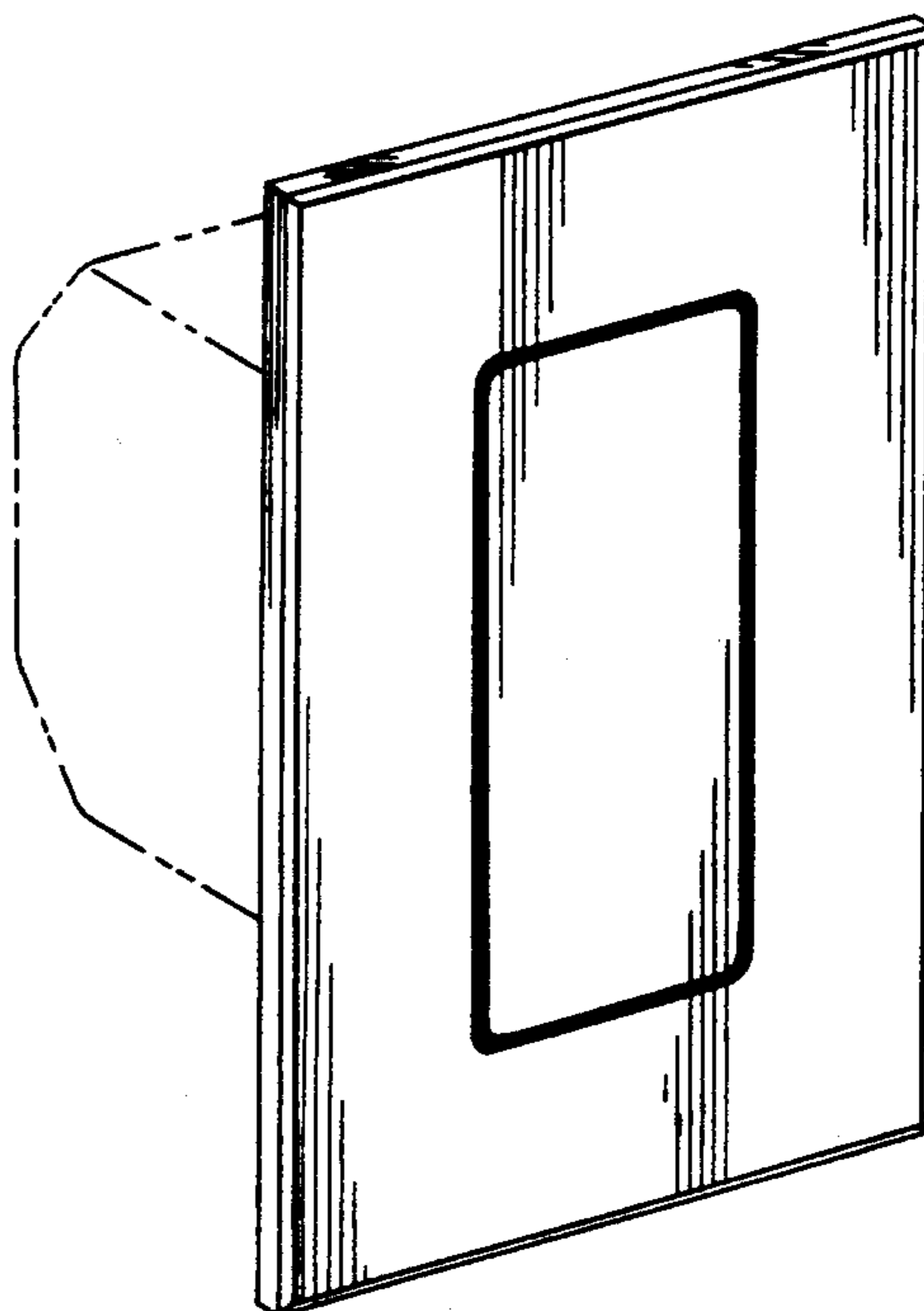
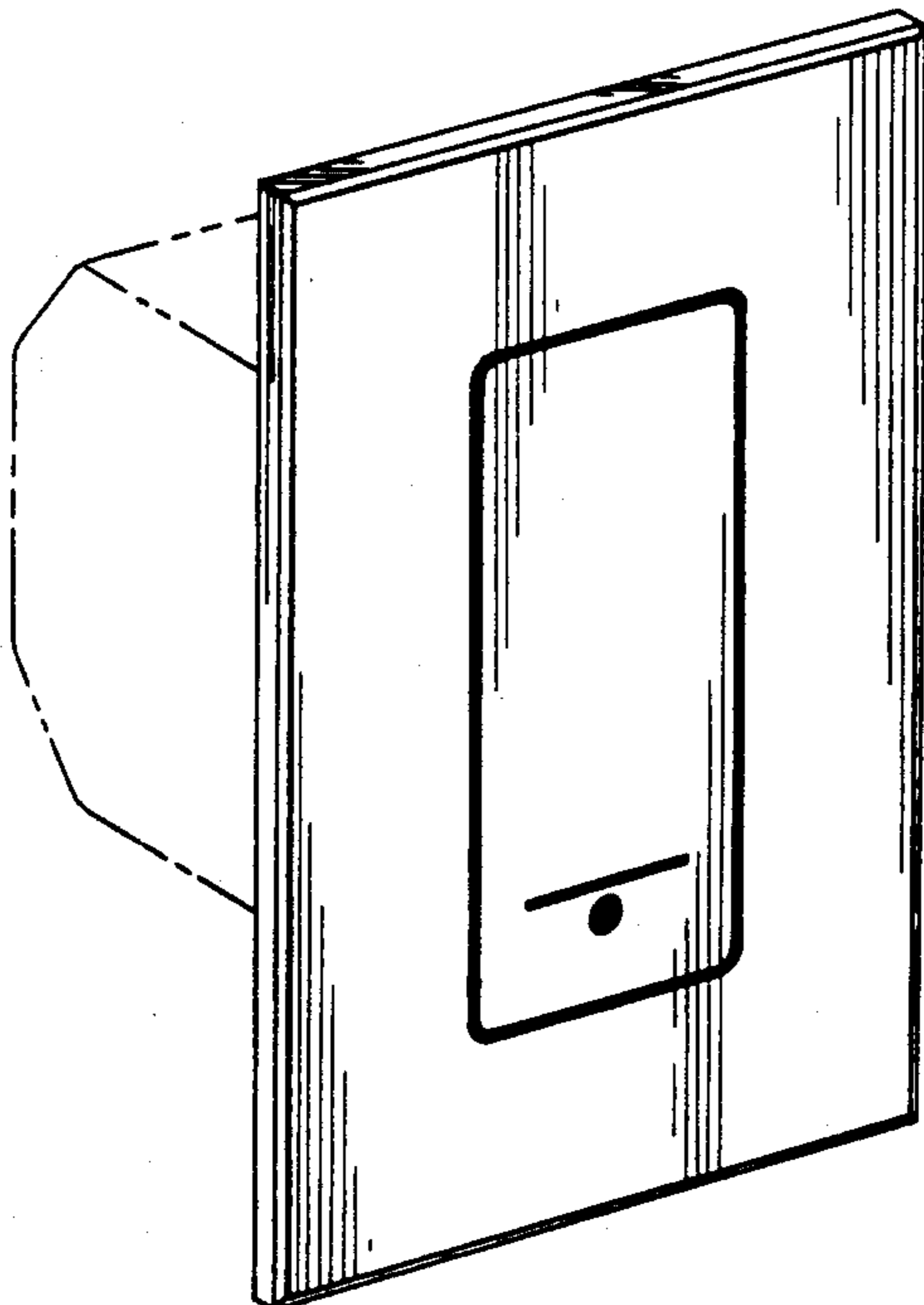
FIG. 5 is a front elevational view of a second embodiment of FIG. 1;

FIG. 6 is a right side elevational view of a second embodiment of FIG. 5, the left side being a mirror image;

FIG. 7 is a bottom plan view of FIG. 5, the top being substantially a mirror image; and,

FIG. 8 is an isometric view of FIG. 5.

The broken line showing of a switch in FIGS. 2-4 and 6-8 are for illustrative purposes only, and forms no part of the claimed design.



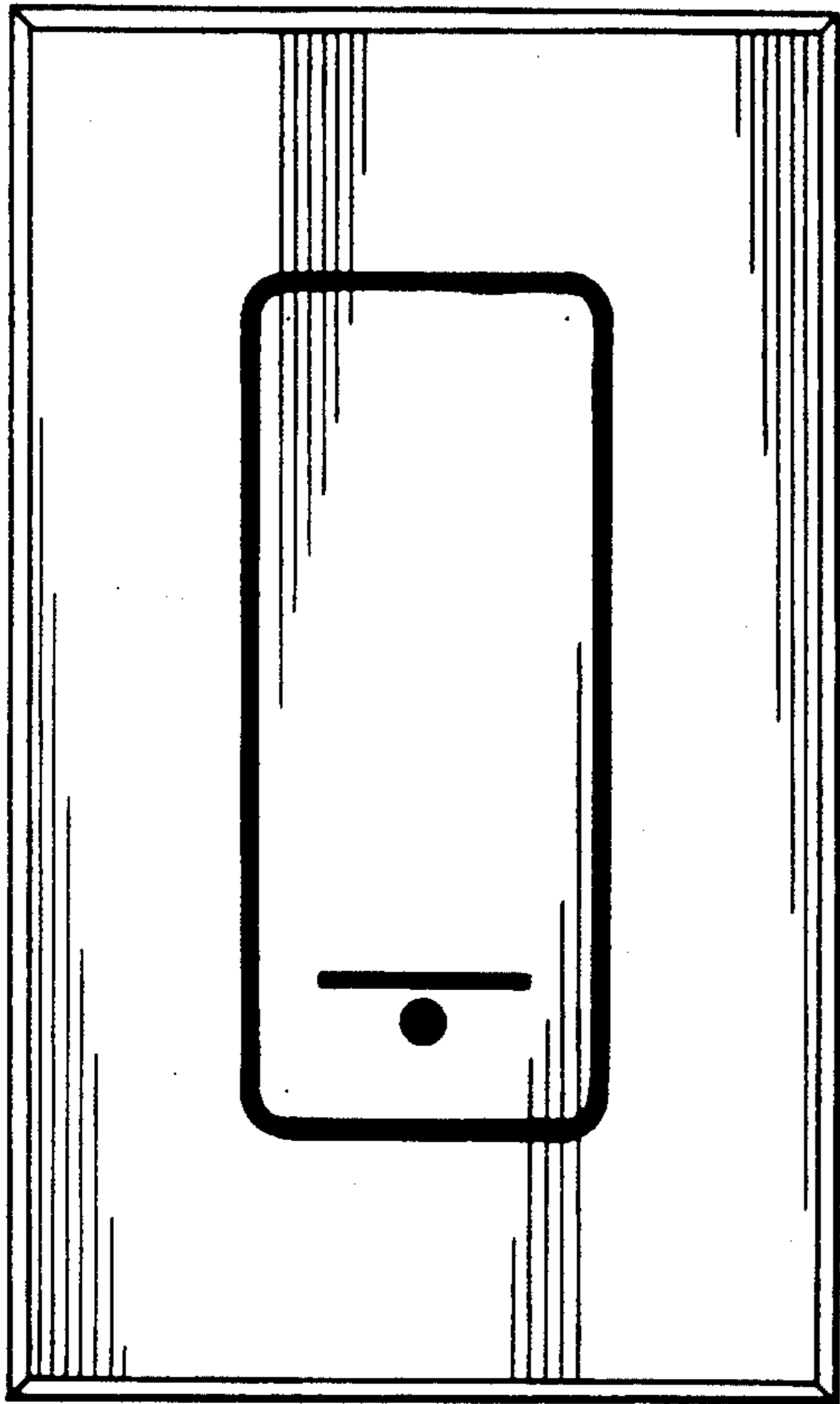


FIG. 1

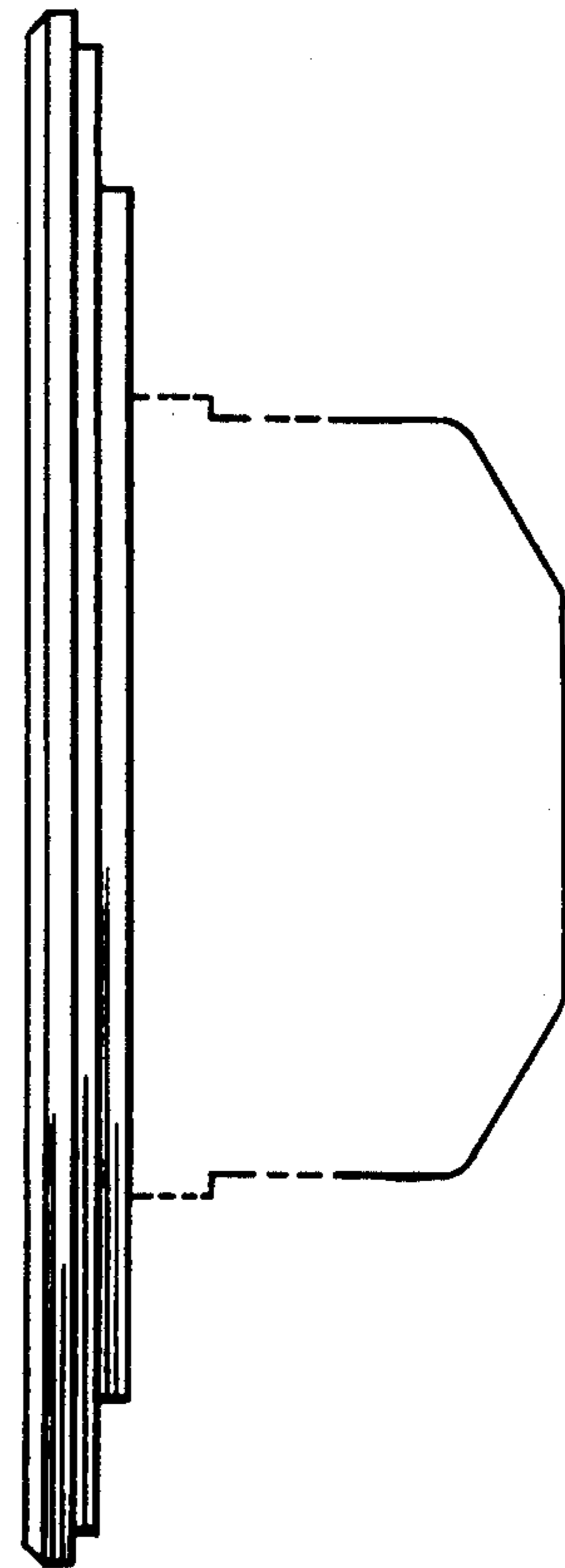


FIG. 2

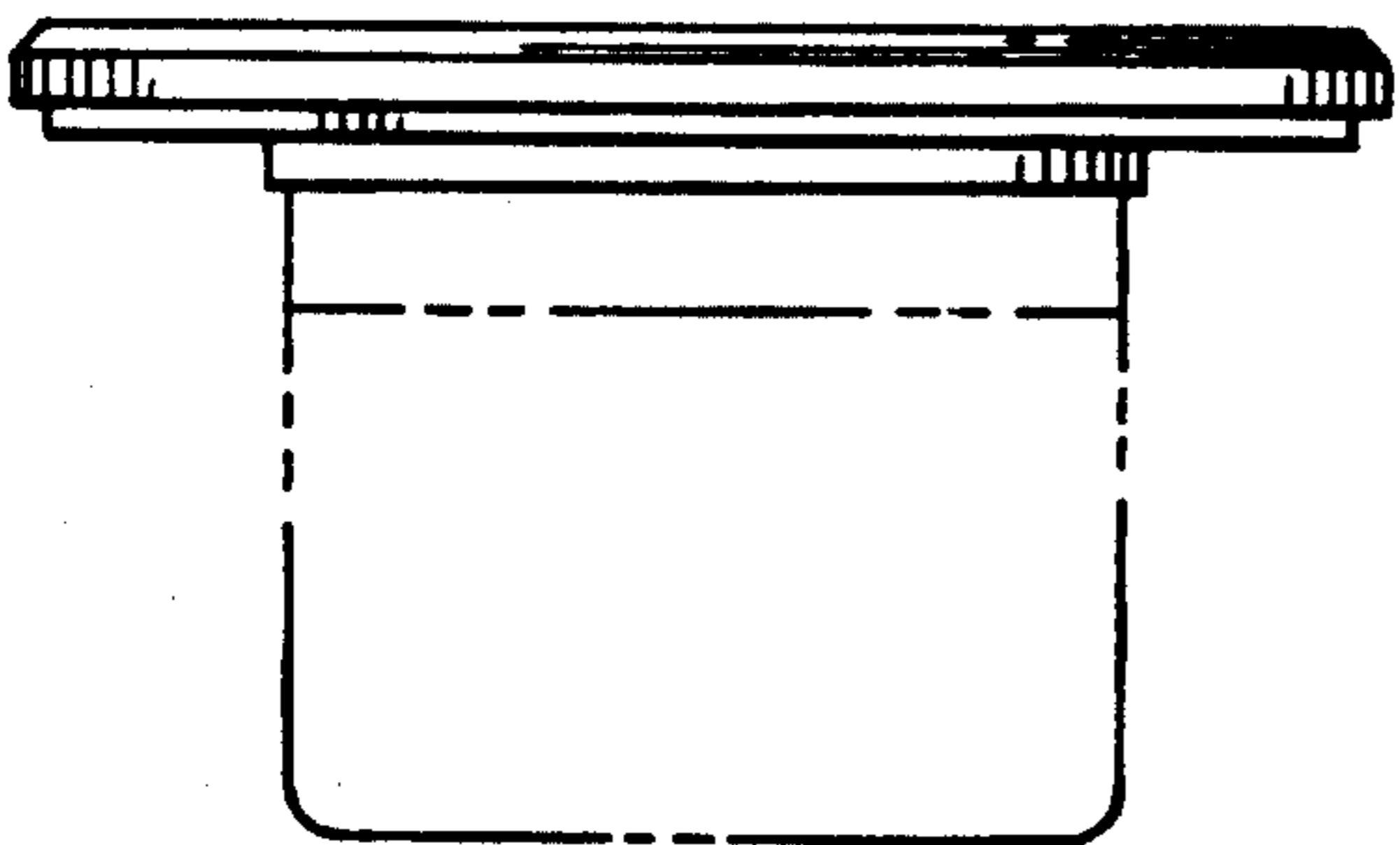


FIG. 3

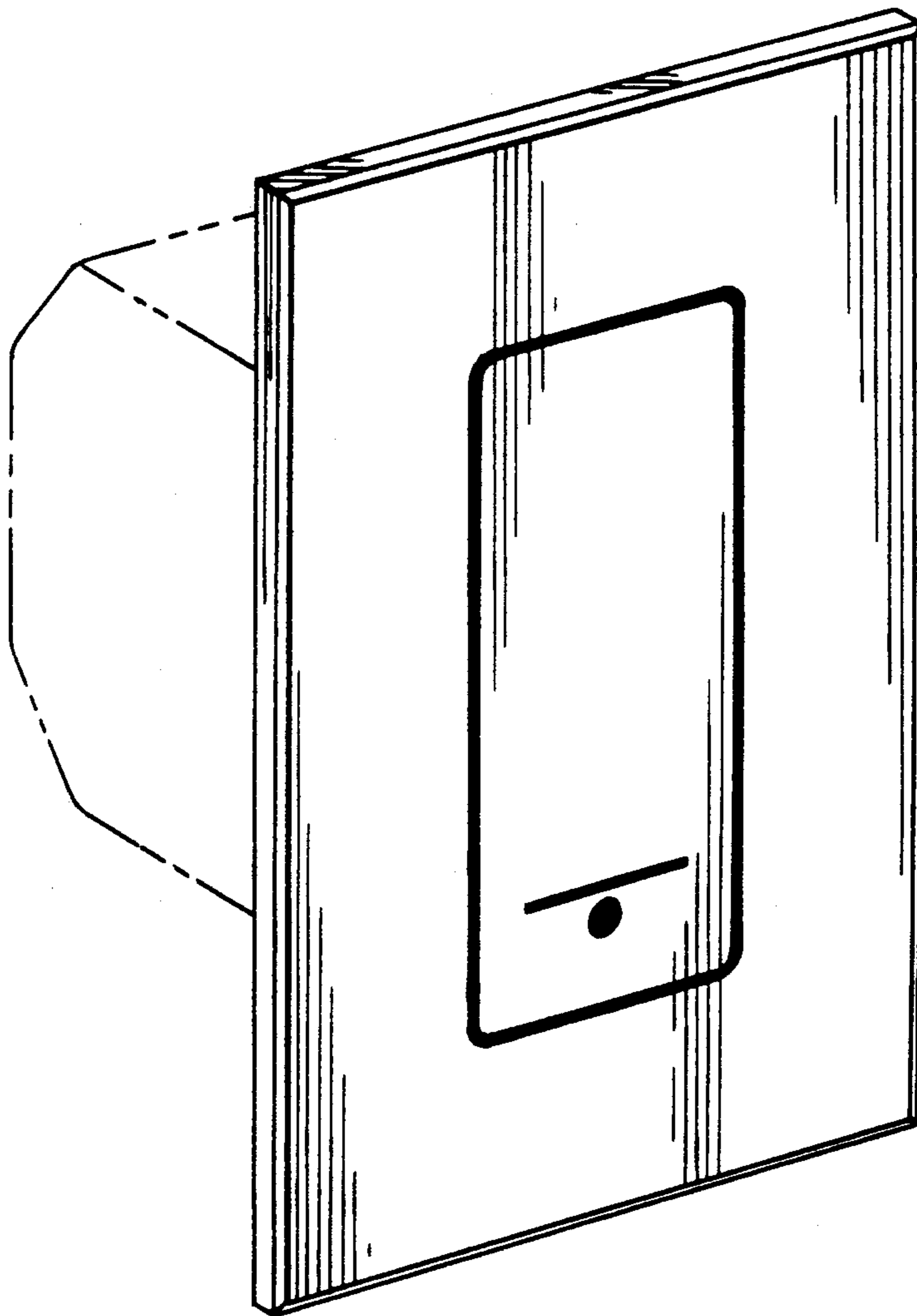


FIG. 4

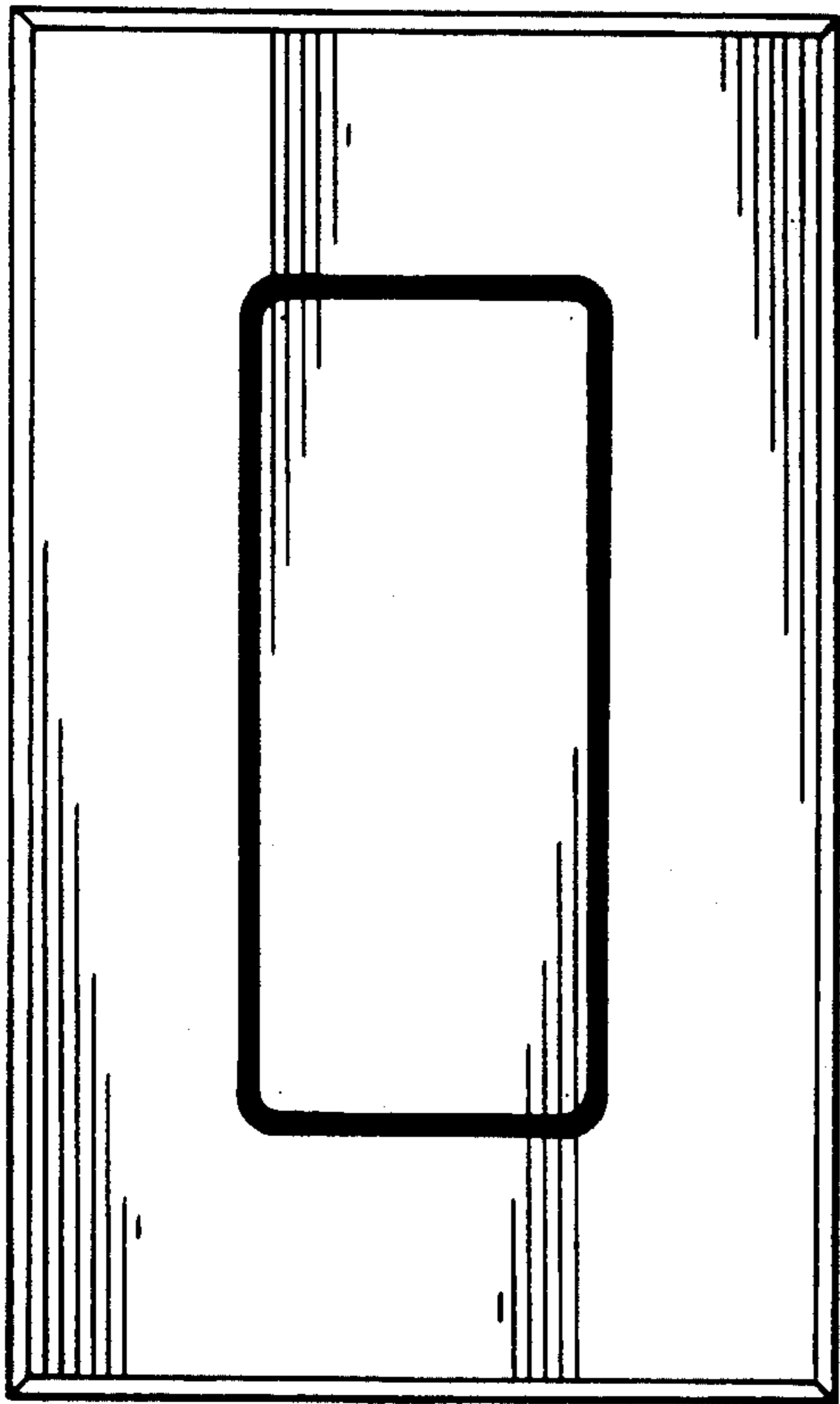


FIG. 5

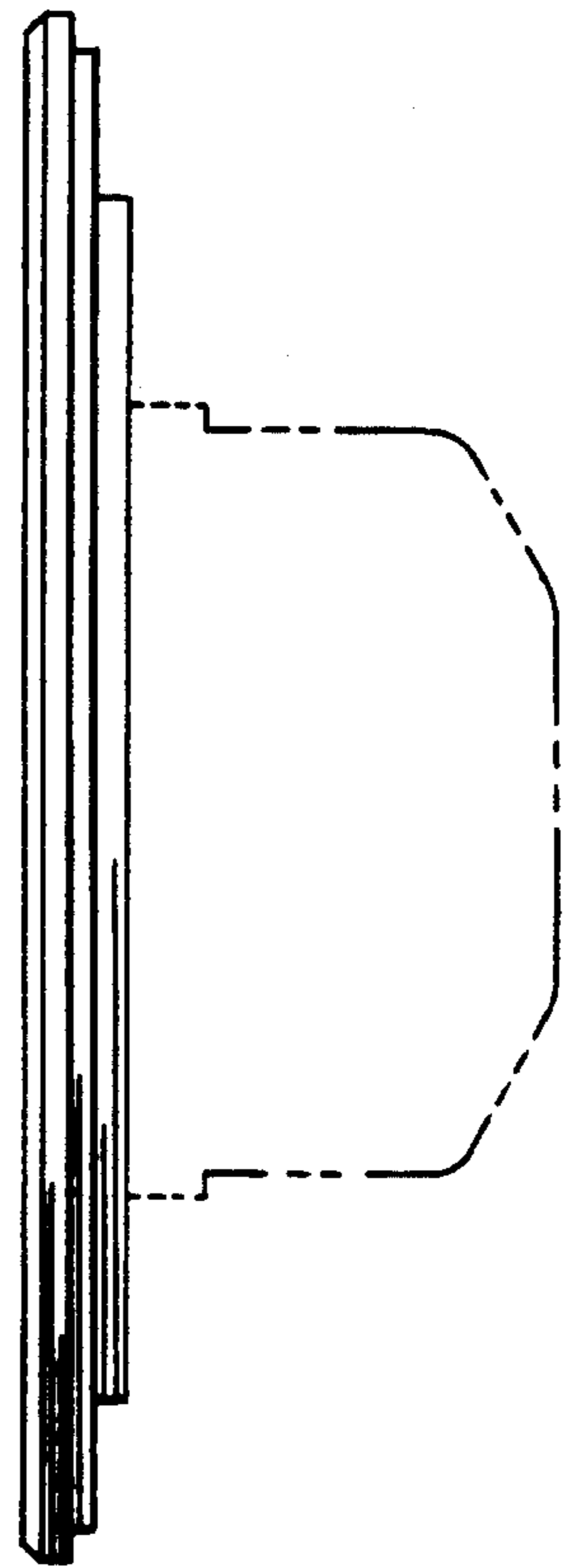


FIG. 6

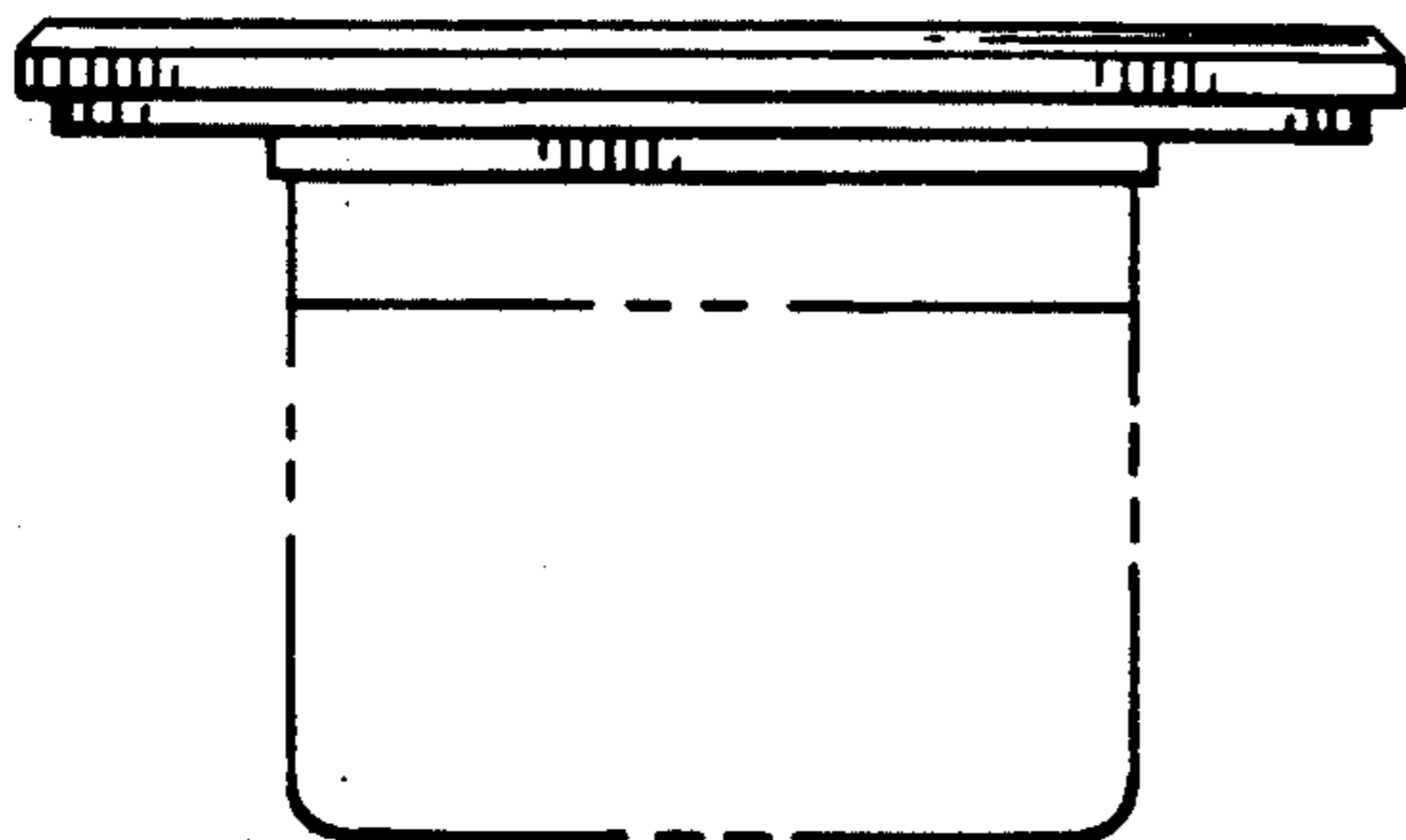


FIG. 7

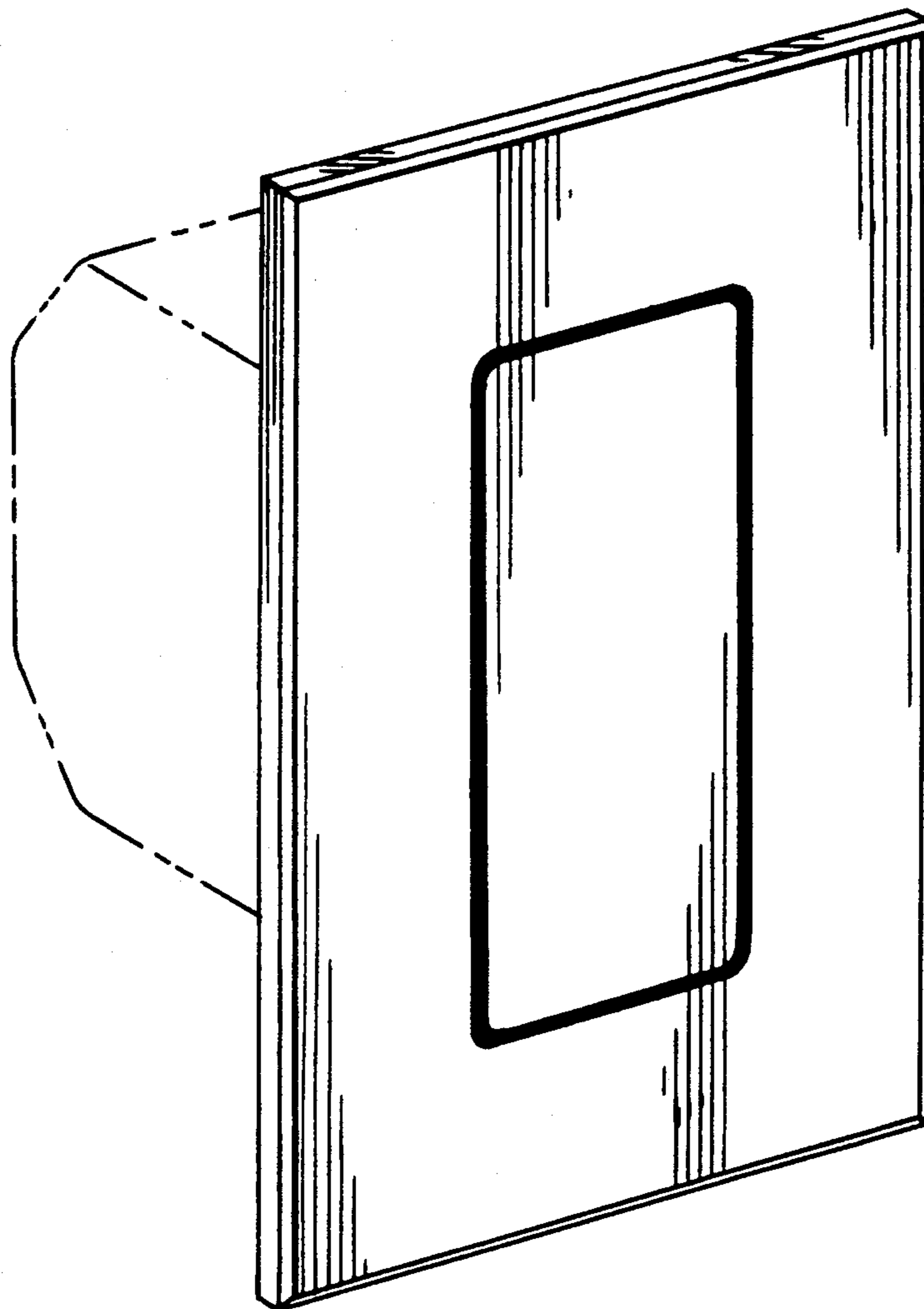


FIG. 8