



US00D336741S

United States Patent [19]

Steinke et al.

[11] Patent Number: **Des. 336,741**

[45] Date of Patent: **** Jun. 22, 1993**

[54] **DISC BRAKE SHIM**

5,129,487 7/1992 Kobayashi et al. 188/73.1

[75] Inventors: **Gustav J. Steinke; Starla D. Huffer,**
both of Lima, Ohio

Primary Examiner—Wallace R. Burke

Assistant Examiner—Melody N. Brown

[73] Assignee: **International Brake Industries, Inc.,**
Lima, Ohio

Attorney, Agent, or Firm—Edgar A. Zarins; Malcolm L. Sutherland

[**] Term: **14 Years**

[57] **CLAIM**

The ornamental design for a disc brake shim, as shown.

[21] Appl. No.: **799,625**

DESCRIPTION

[22] Filed: **Nov. 27, 1991**

[52] U.S. Cl. **D12/180**

[58] Field of Search **D12/180; 188/73.1, 250 B**

FIG. 1 is an elevated perspective of a disc brake shim showing our new design;

FIG. 2 is a left side elevational view thereof;

FIG. 3 is a front elevational view thereof;

FIG. 4 is a top plan view thereof;

FIG. 5 is a right side elevational view thereof;

FIG. 6 is a rear elevational view thereof; and,

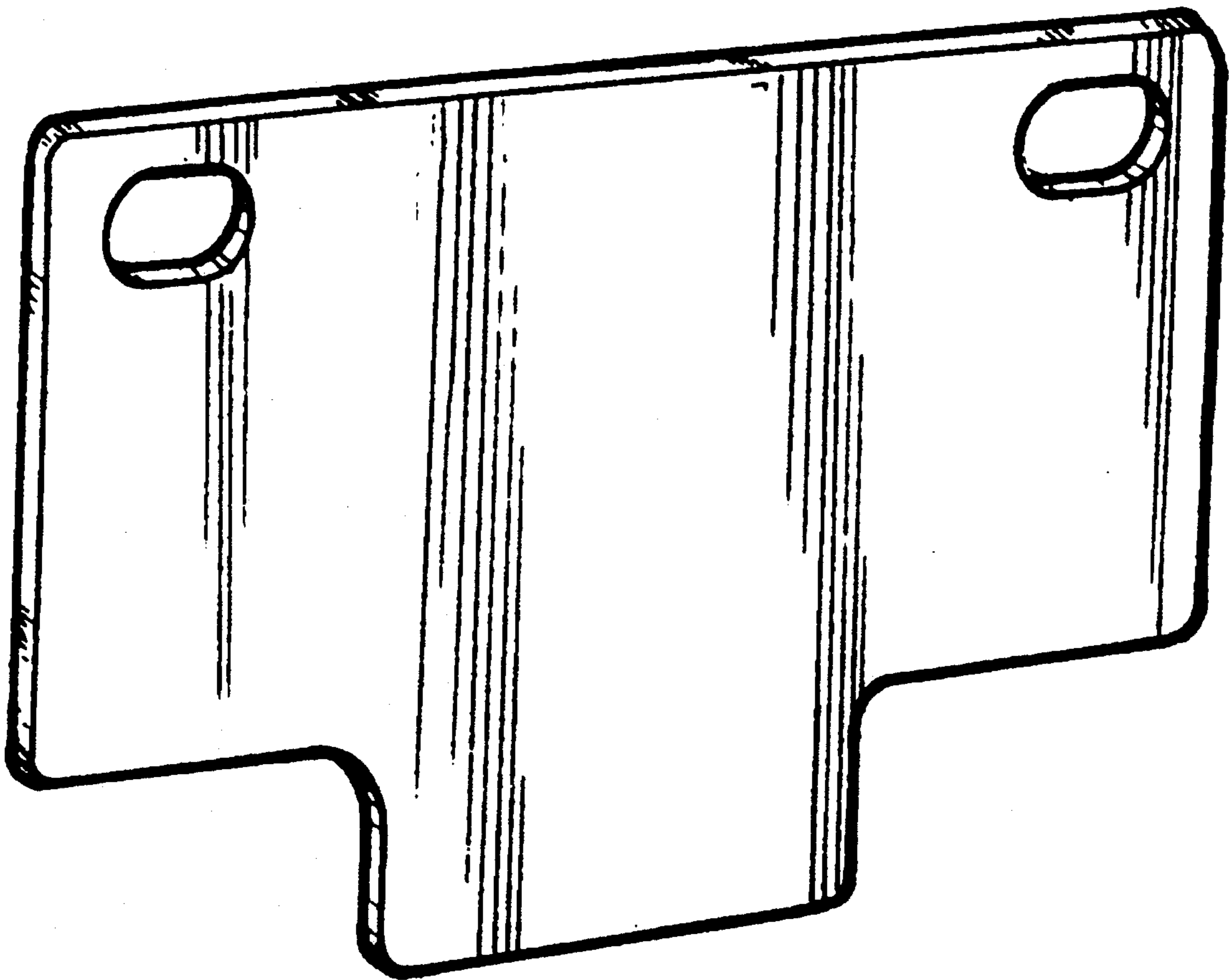
FIG. 7 is a bottom plan view thereof.

[56] **References Cited**

U.S. PATENT DOCUMENTS

4,220,223 9/1980 Rinker et al. 188/73.1

4,230,207 10/1980 Stahl 188/73.1



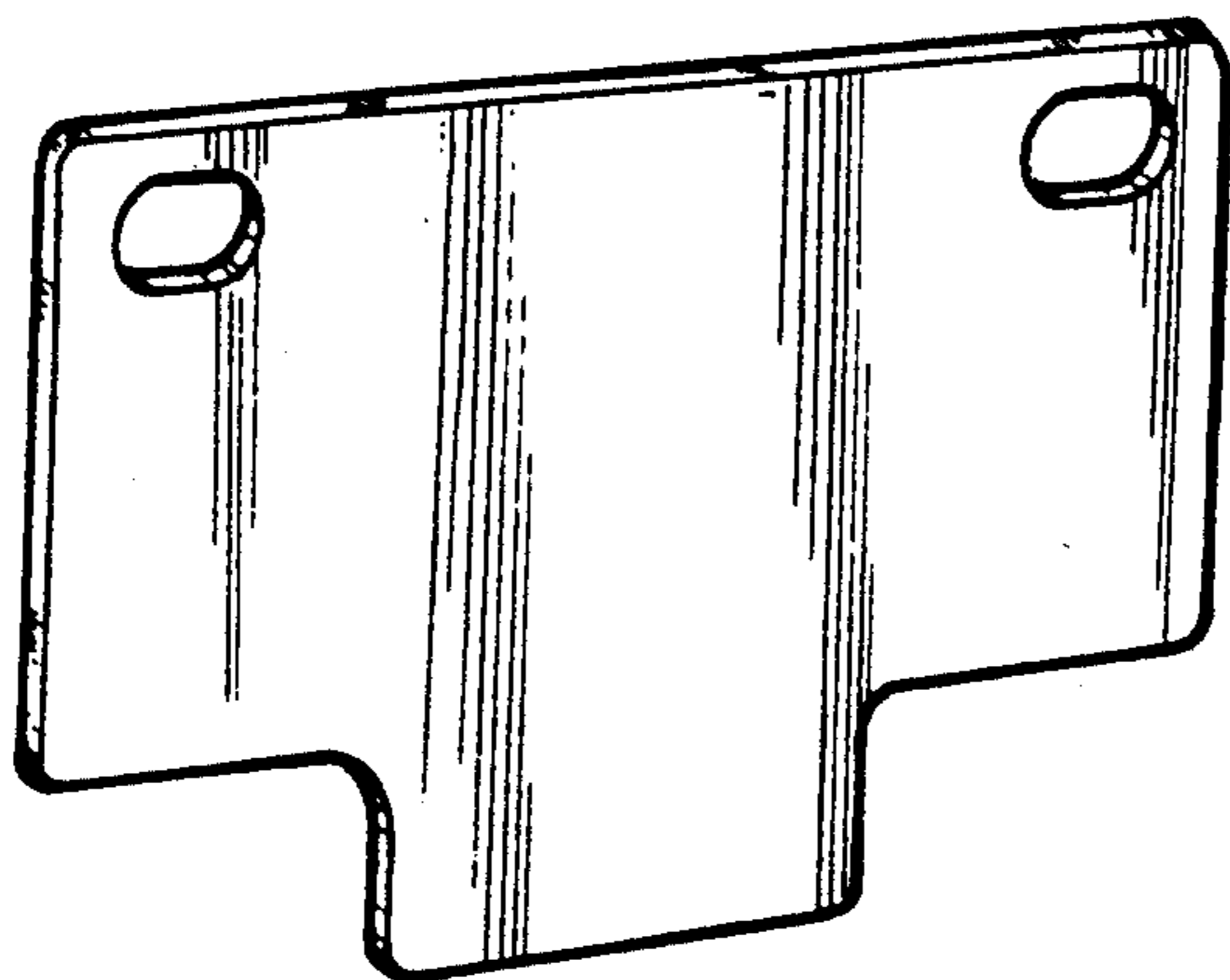


Fig-1



Fig-2

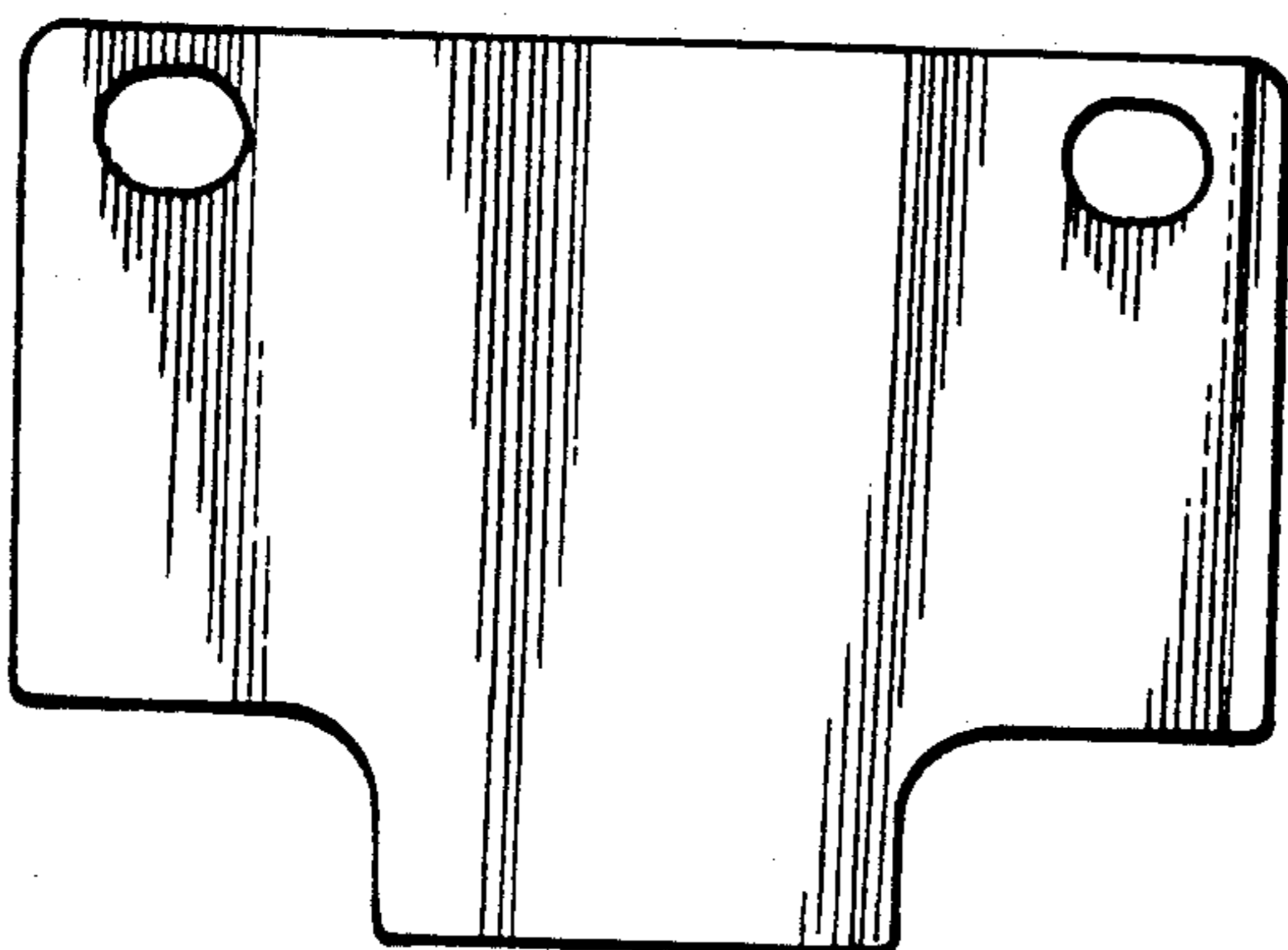


Fig-3



Fig-4



Fig-5

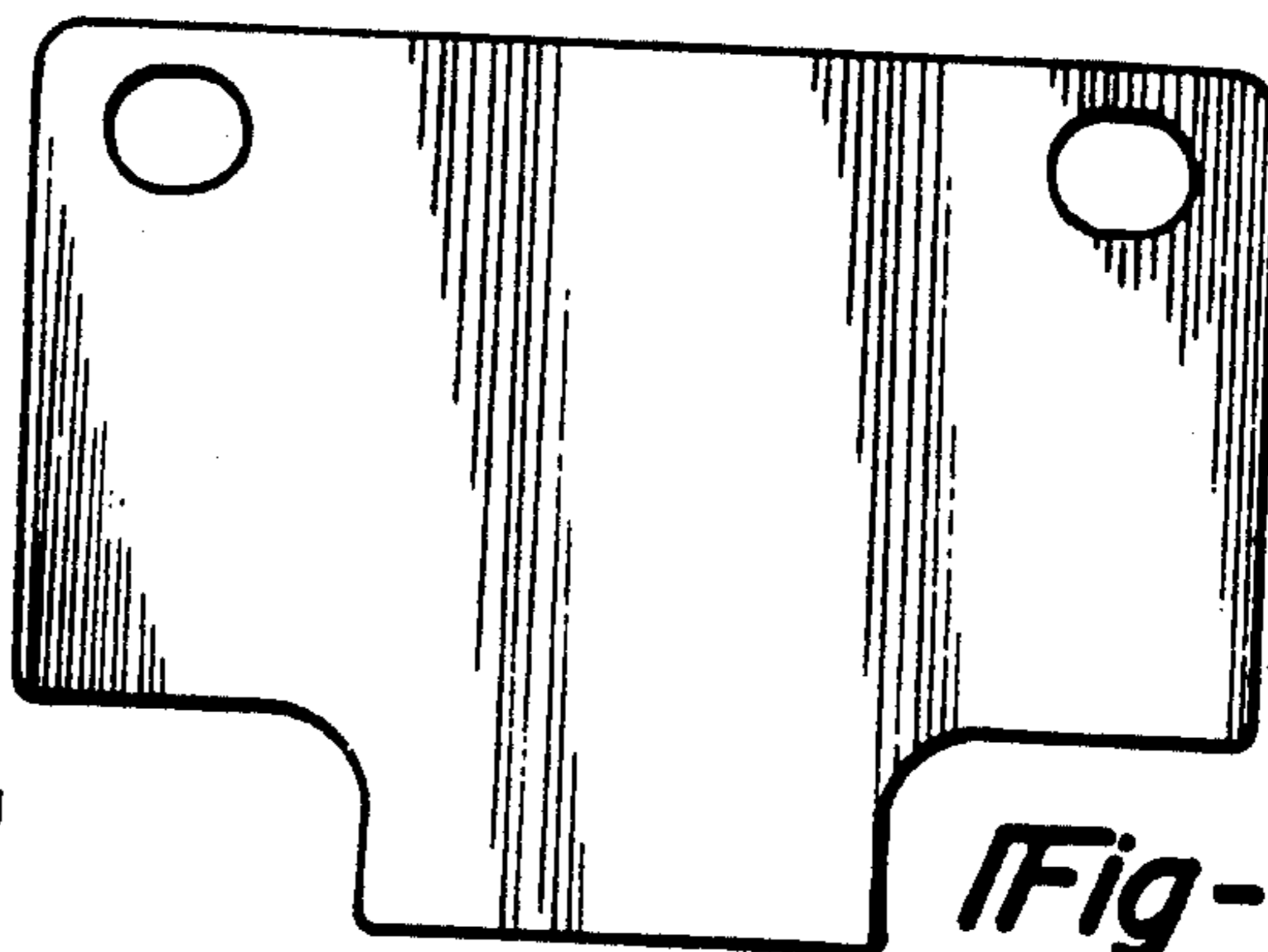


Fig-6



Fig-7