



US00D336740S

United States Patent [19]

[11] Patent Number: **Des. 336,740**

Graf

[45] Date of Patent: **** Jun. 22, 1993**

[54] **BIKE SEAT BAG**

[75] Inventor: **John M. Graf, South Bend, Ind.**

[73] Assignee: **Firefly Safety Vest, Inc., South Bend, Ind.**

[**] Term: **14 Years**

[21] Appl. No.: **771,256**

[22] Filed: **Oct. 4, 1991**

[52] U.S. Cl. **D12/158**

[58] Field of Search **D12/158; 224/32 R, 32 A, 224/30 R, 30 A, 41, 42; D3/3.6, 40**

[56] **References Cited**

U.S. PATENT DOCUMENTS

4,566,617	1/1986	Jackson	224/39
4,643,343	2/1987	Goldman et al.	224/32 R
5,127,563	7/1992	Chan et al.	224/32 R

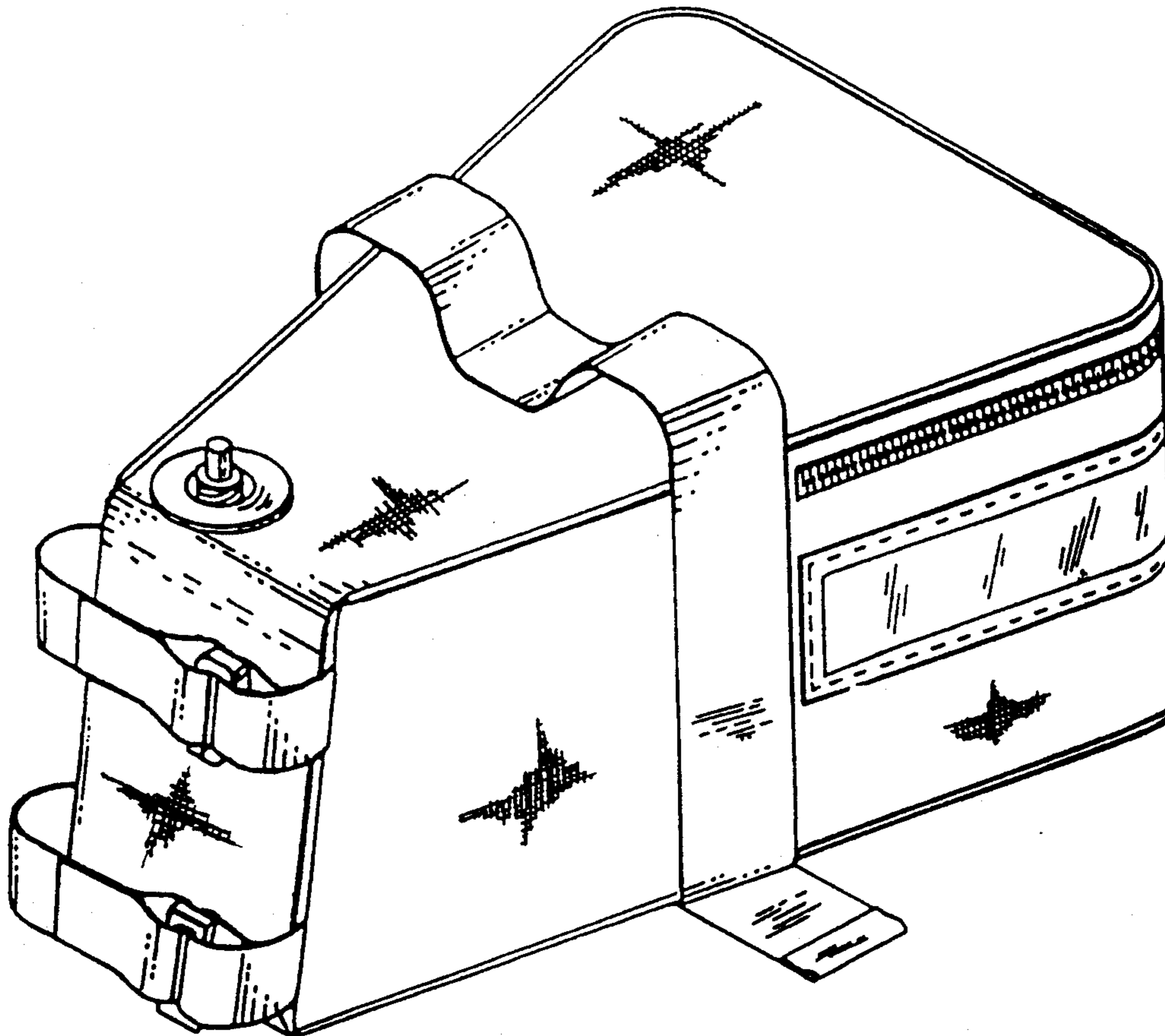
*Primary Examiner—Wallace R. Burke
Assistant Examiner—Melody Brown
Attorney, Agent, or Firm—James D. Hall*

[57] CLAIM

The ornamental design for a bike seat bag, as shown.

DESCRIPTION

FIG. 1 is a side perspective view of a bike seat bag showing my new design;
FIG. 2 is a top plan view thereof;
FIG. 3 is a front elevational view thereof;
FIG. 4 is a rear elevational view thereof;
FIG. 5 is a bottom plan view thereof;
FIG. 6 is a right end elevational view thereof; and,
FIG. 7 is a left end elevational view thereof.
The partially shown cross line shading shown on the surfaces is intended to represent a conventional fabric and is understood to cover the surfaces indicated.



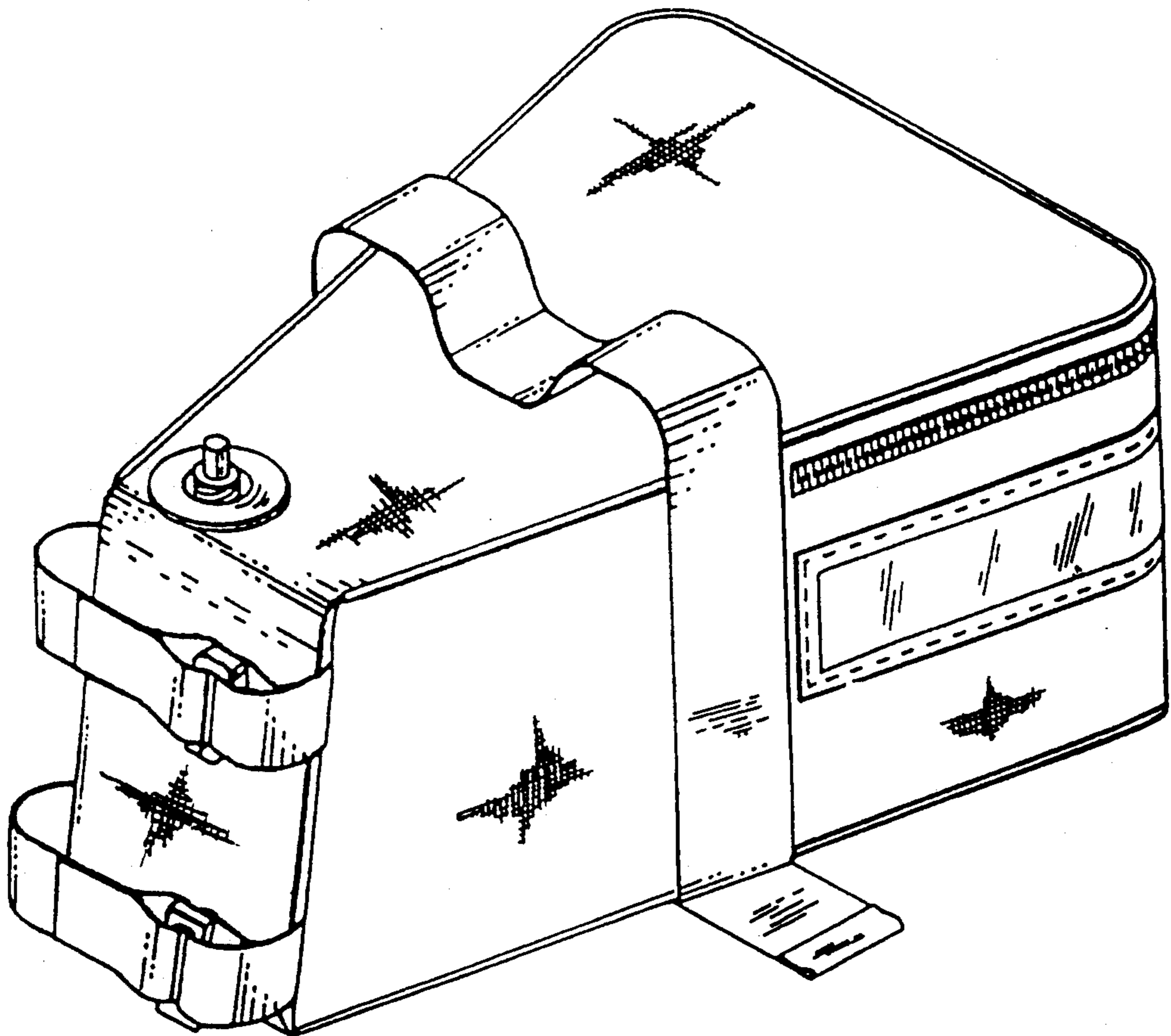


FIG. 1

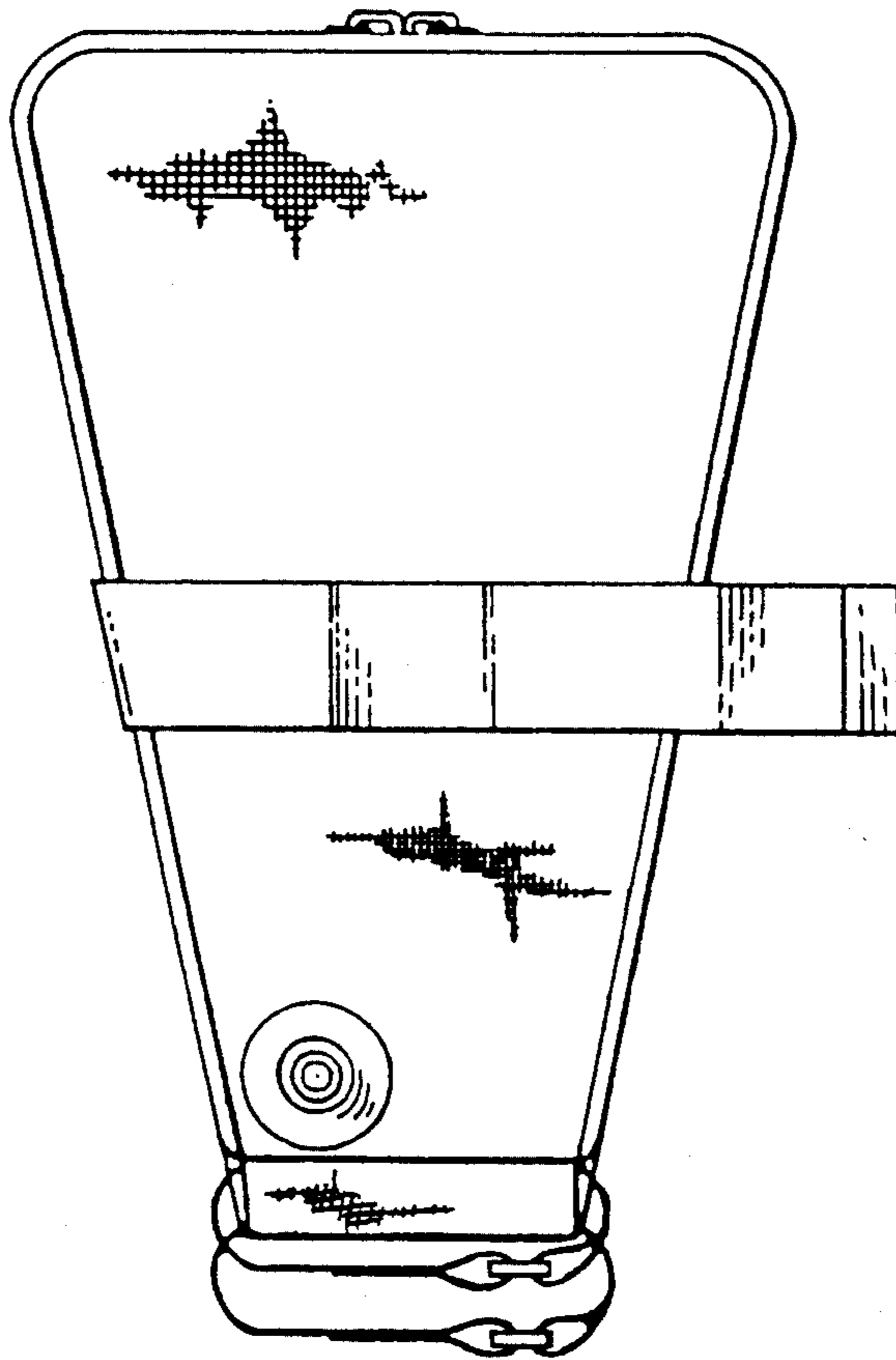


FIG. 2

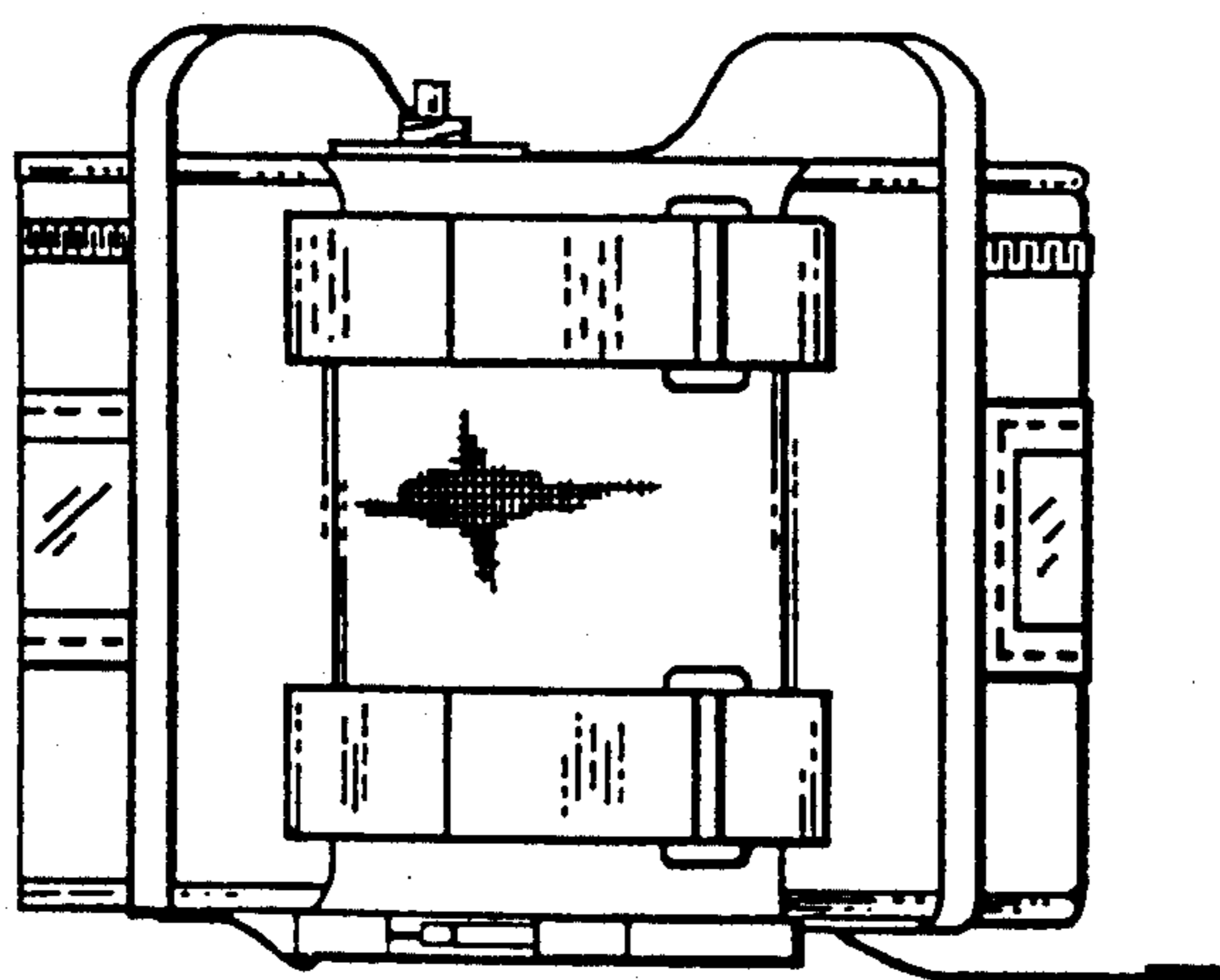


FIG. 3

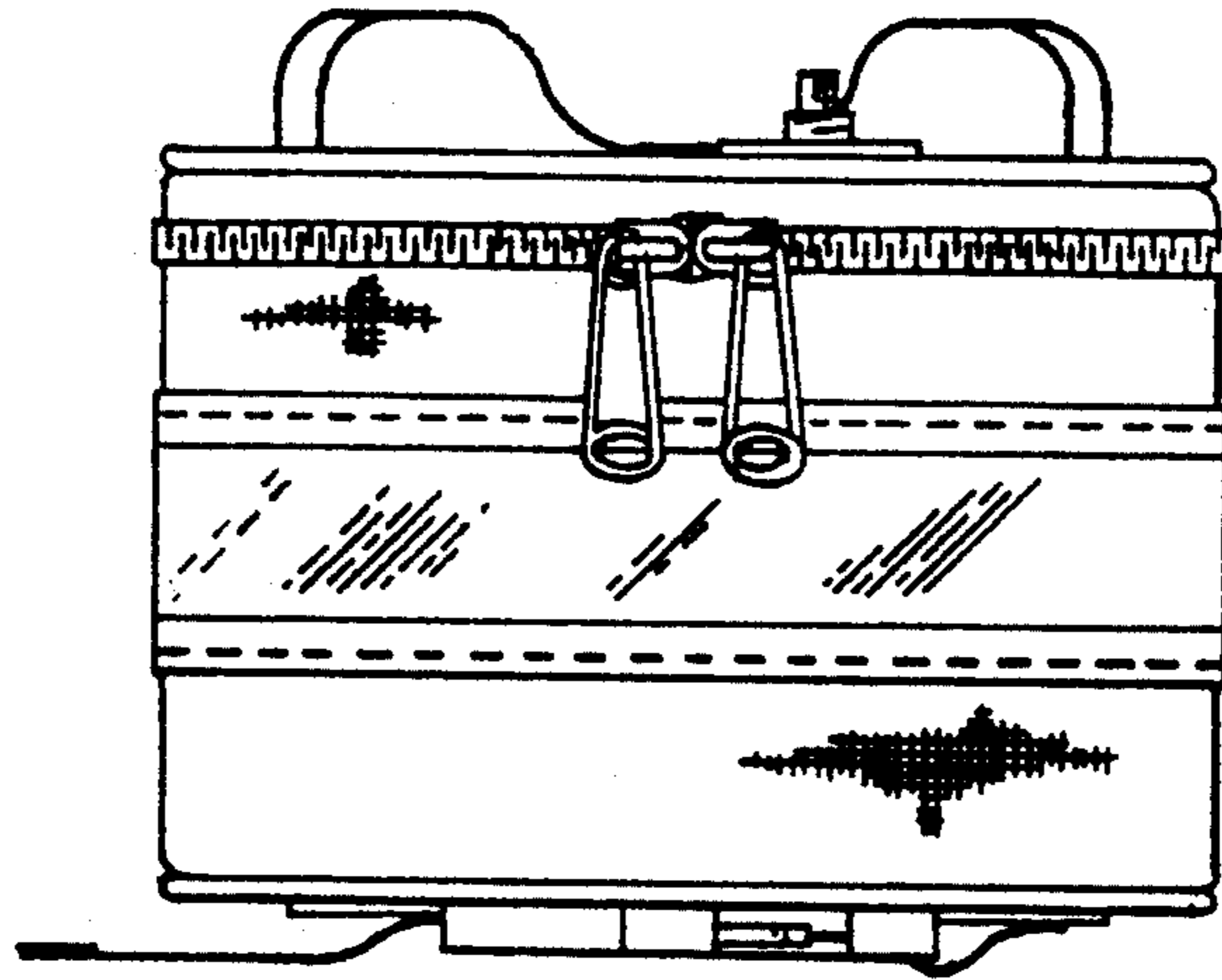


FIG. 4

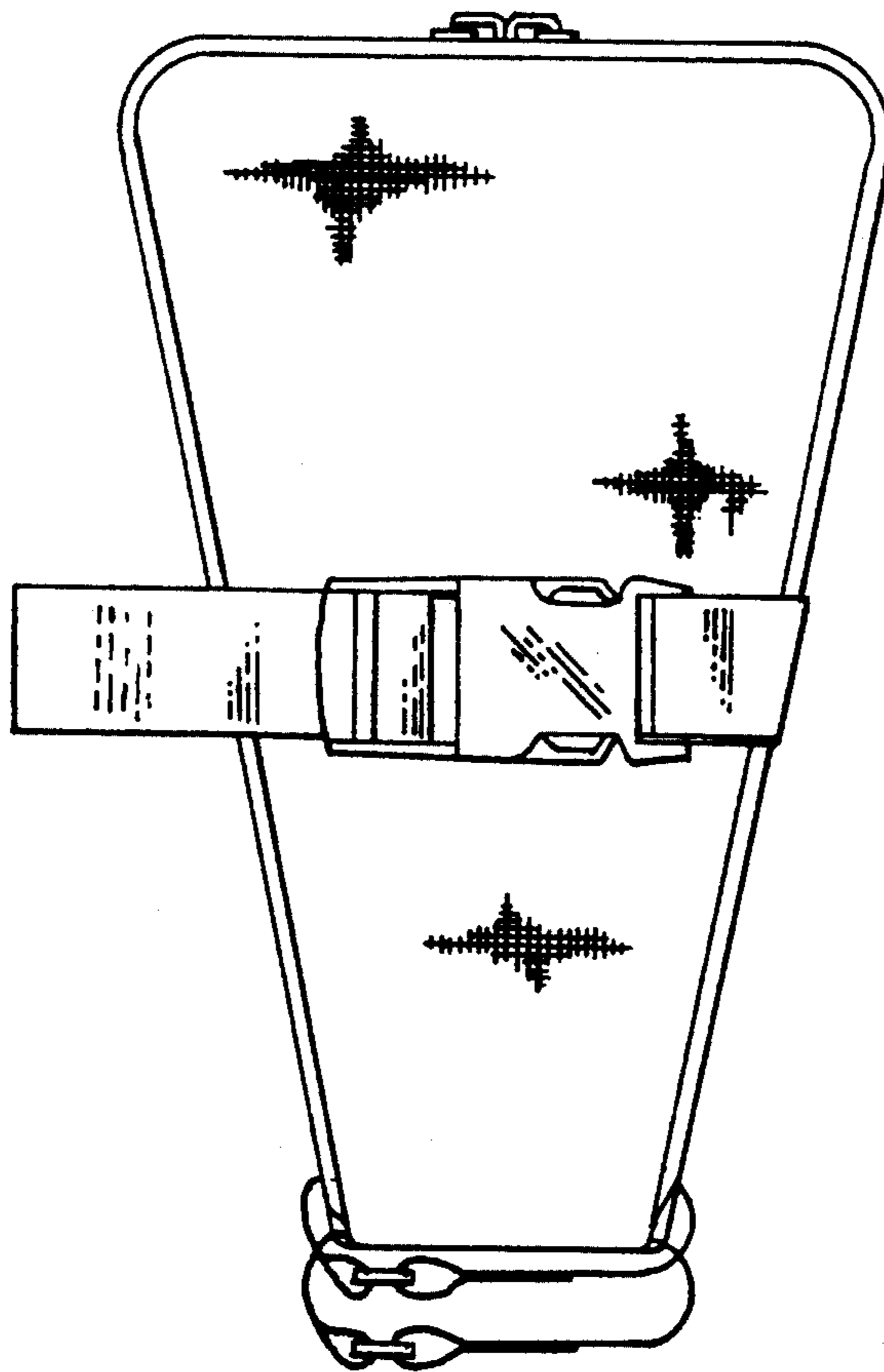


FIG. 5

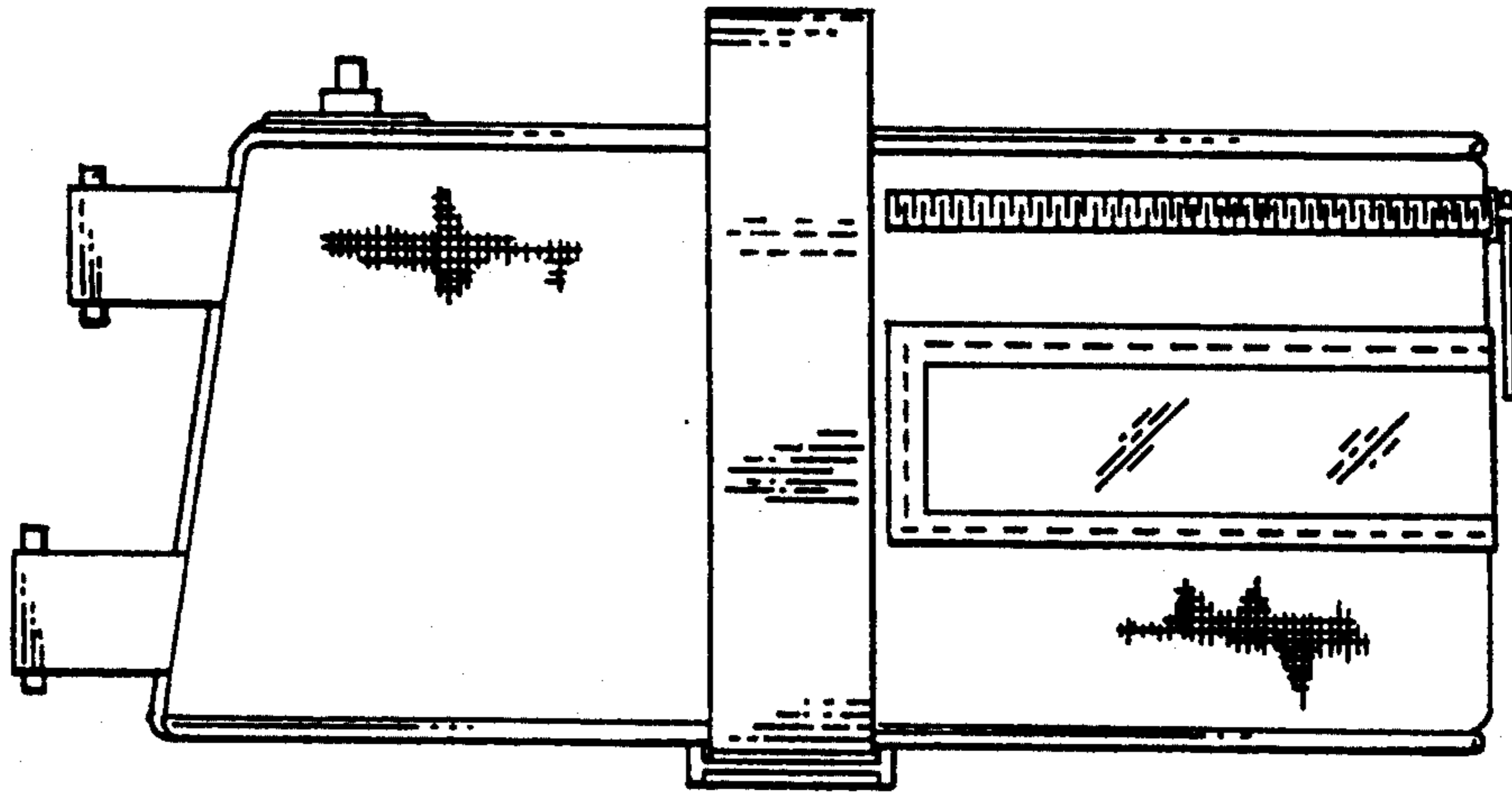


FIG. 6

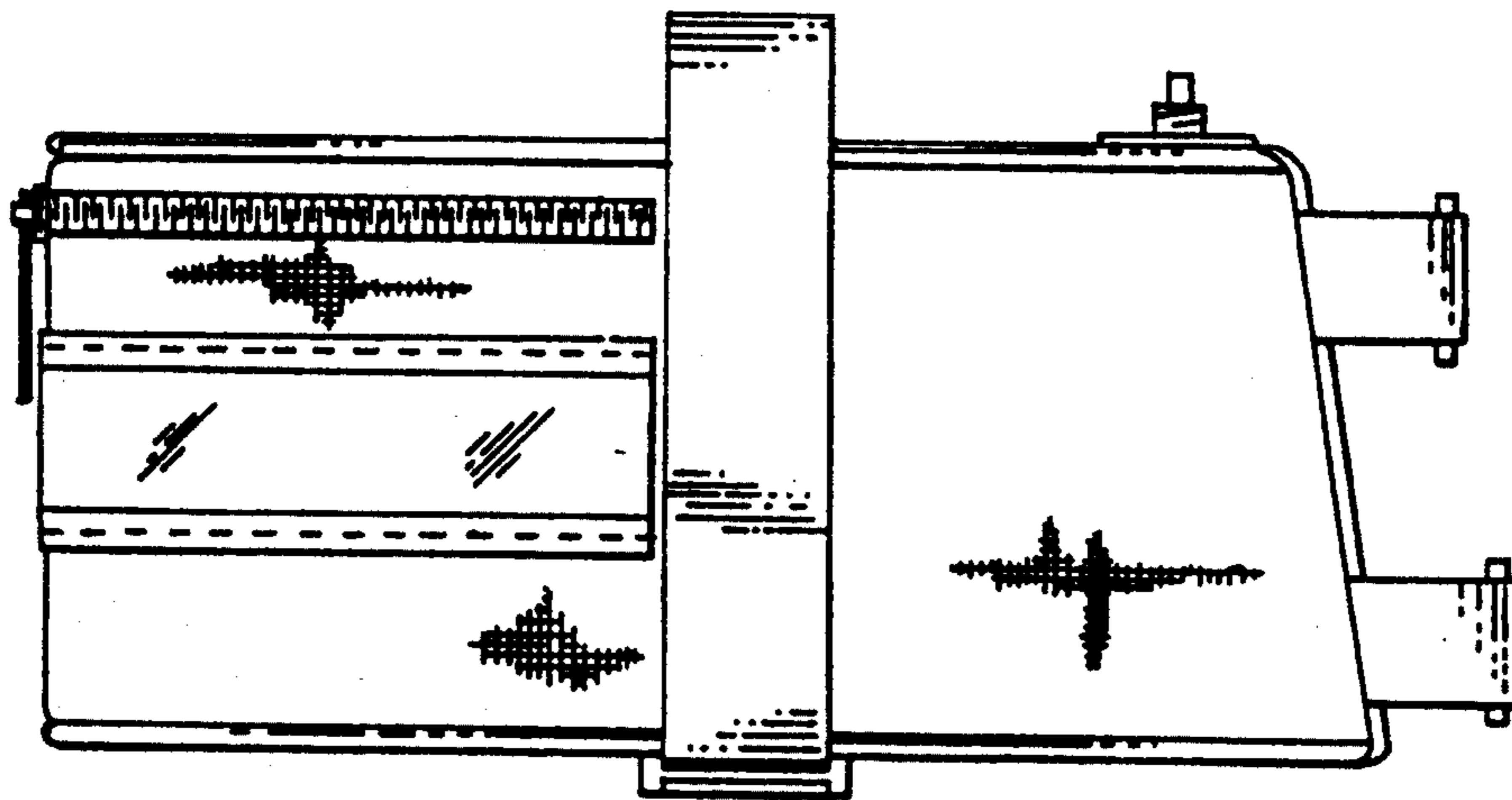


FIG. 7