



US00D336738S

United States Patent [19]

[11] Patent Number: **Des. 336,738**

Montag

[45] Date of Patent: **** Jun. 22, 1993**

[54] TIRE TREAD AND BUTTRESS

DESCRIPTION

[75] Inventor: **Sean D. Montag**, Cuyahoga Falls, Ohio

FIG. 1 is a front elevational view of a tire tread and buttress showing my new design;

[73] Assignee: **The Goodyear Tire & Rubber Company**, Akron, Ohio

FIG. 2 is a perspective view of FIG. 1;

[**] Term: **14 Years**

FIG. 3 is another perspective view of FIG. 1;

[21] Appl. No.: **771,923**

FIG. 4 is a side elevational view of FIG. 1 on a reduced scale;

[22] Filed: **Oct. 4, 1991**

FIG. 5 is another side elevational view of FIG. 1 on a reduced scale;

[52] U.S. Cl. **D12/146**

FIG. 6 is an enlarged fragmentary front view of FIG. 1;

[58] Field of Search **D12/136, 137, 138, 140, D12/146-151; 152/209 R, 209 A, 209 B, 209 D**

FIG. 7 is a front elevational view of another embodiment of my design;

[56] References Cited

FIG. 8 is a perspective view of FIG. 7;

U.S. PATENT DOCUMENTS

- D. 314,737 2/1991 Covert et al. D12/147
- D. 318,036 7/1991 Maxwell et al. D12/147
- D. 320,967 10/1991 Covert et al. D12/147

FIG. 9 is another perspective view of FIG. 7;

Primary Examiner—James M. Gandy
Attorney, Agent, or Firm—T. P. Lewandowski

FIG. 10 is a side elevational view of FIG. 7 on a reduced scale;

[57] CLAIM

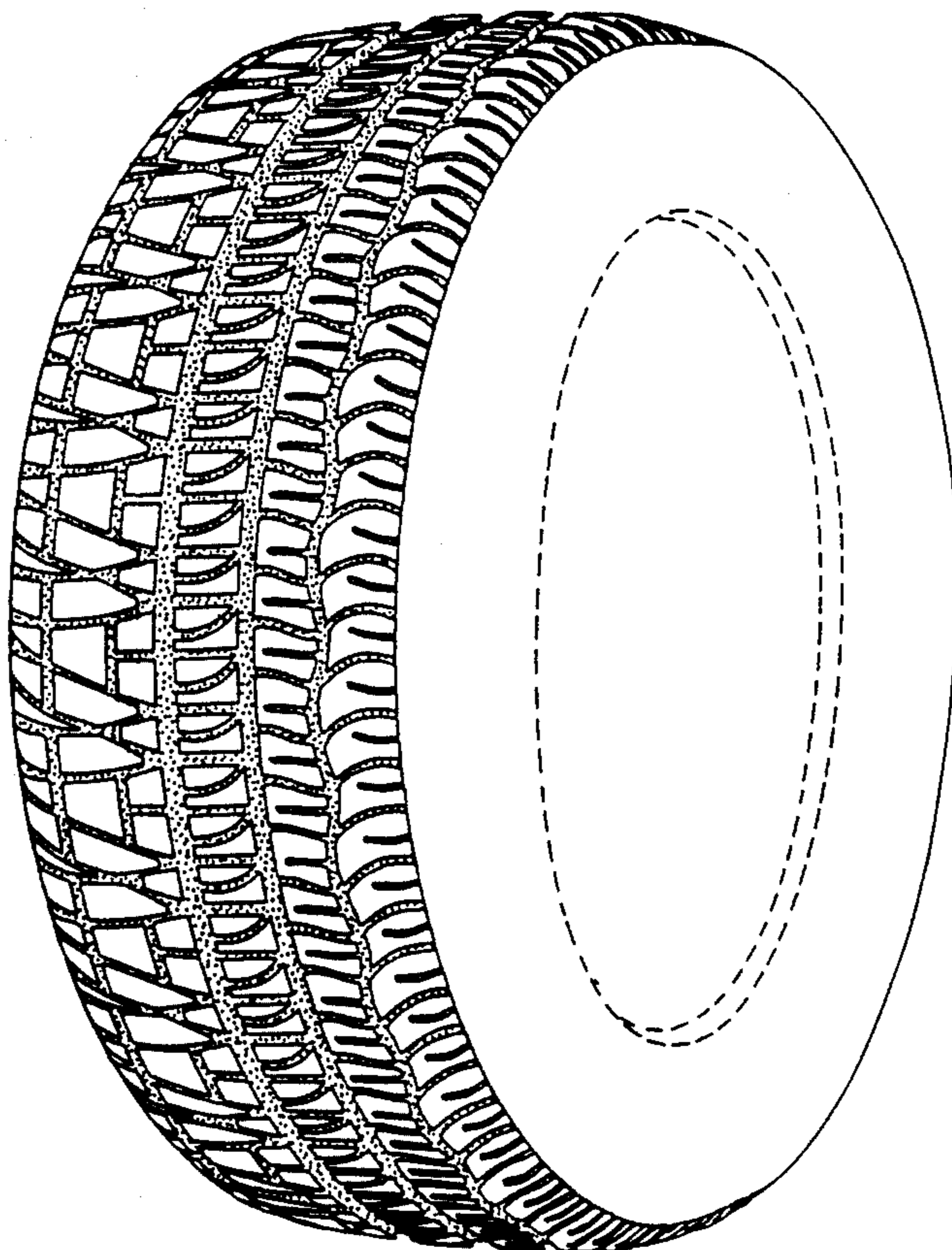
The ornamental design for a tire tread and buttress, as shown and described.

FIG. 11 is another side elevational view of FIG. 7 on a reduced scale; and,

FIG. 12 is an enlarged fragmentary front view of FIG. 7.

The pattern is understood to be repeated uniformly throughout the circumference of the tread and buttress and the solid line segments between the outer edges of the shoulder ribs are for the purpose of defining the peripheral boundary of the tread and buttress and form no part of the claimed design.

The broken line showing of the tire sidewall in the drawings is for illustrative purposes only and forms no part of the claimed design.



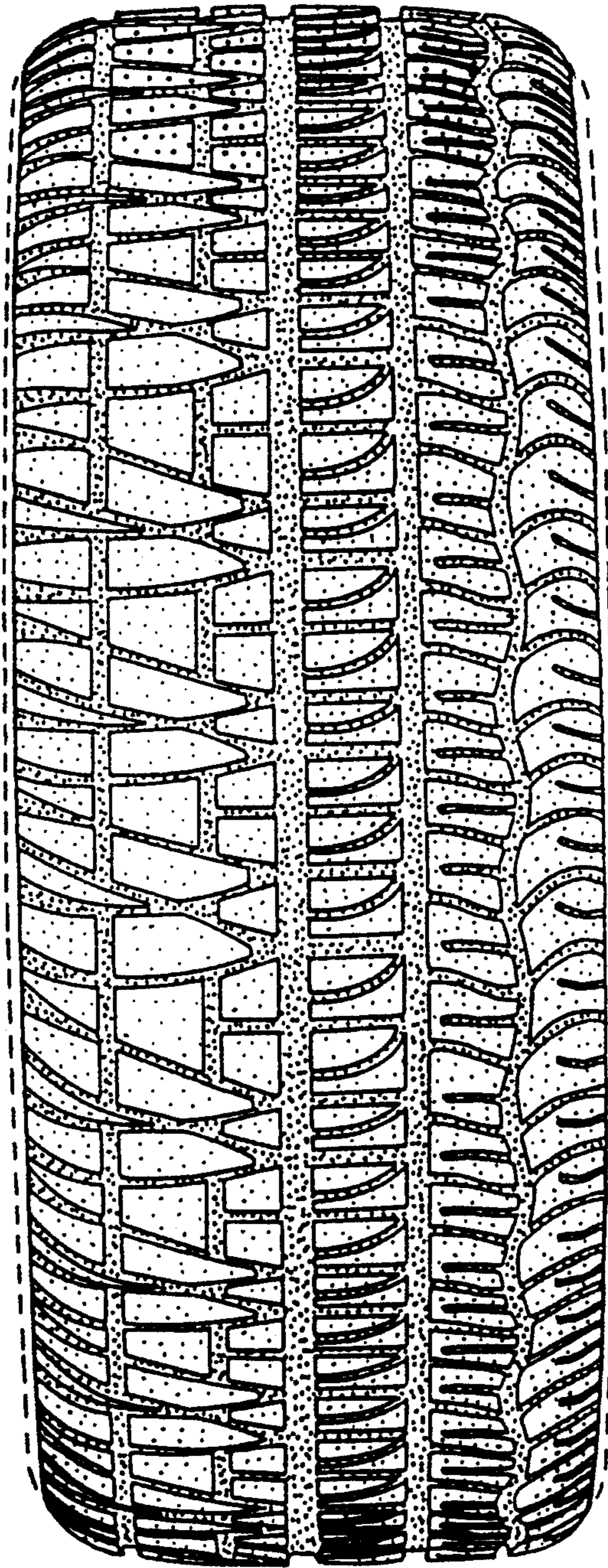


FIG. 1

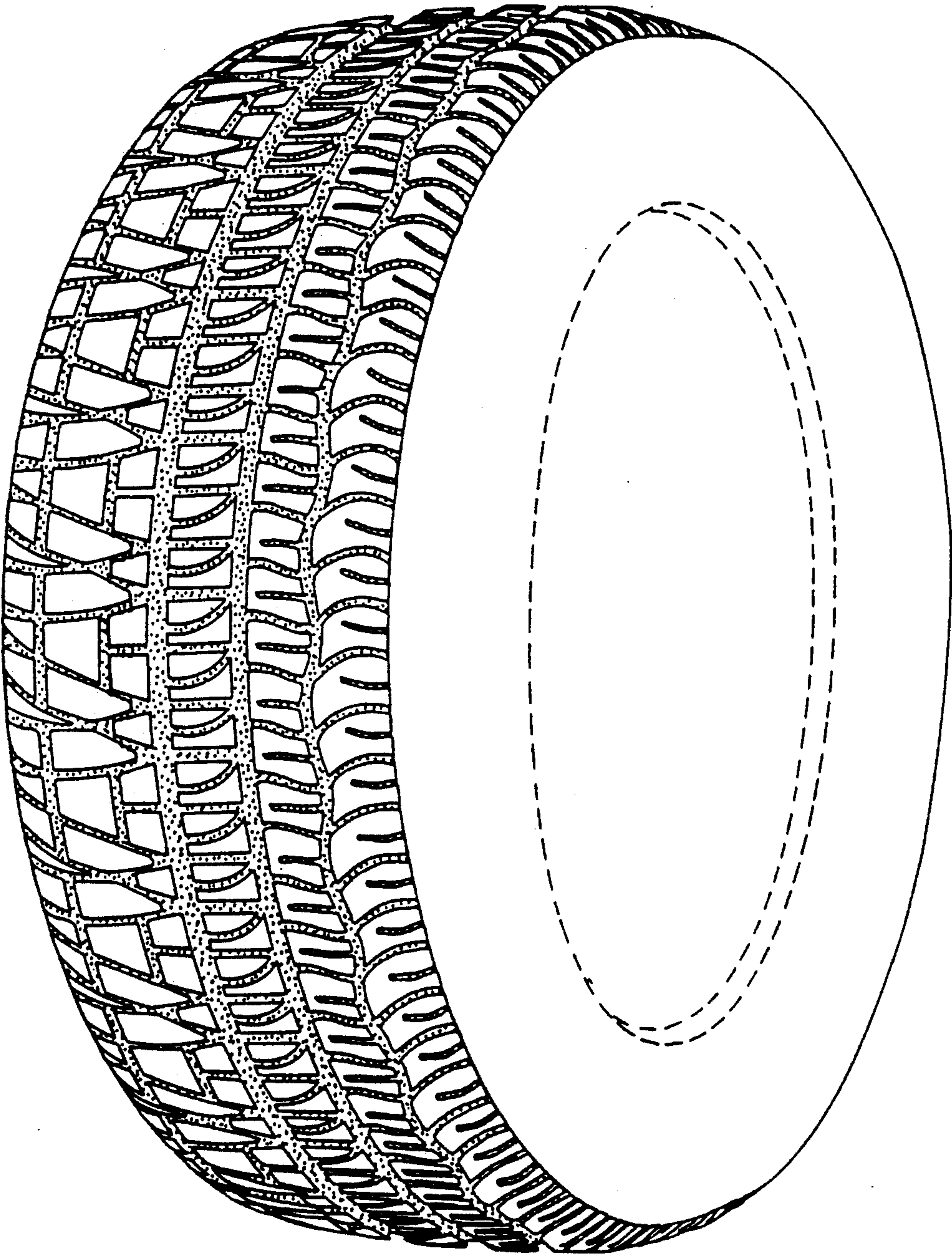


FIG. 2

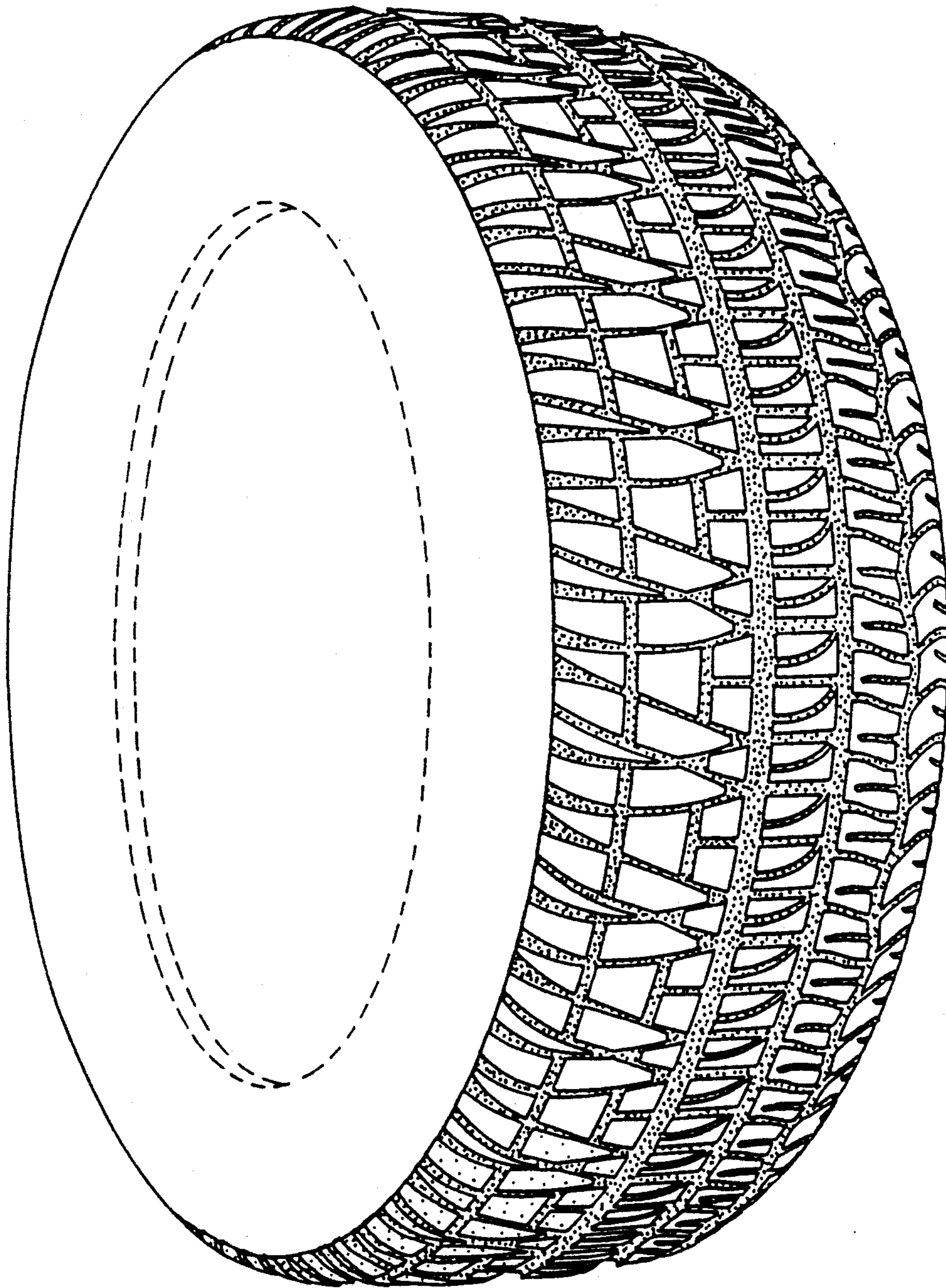


FIG. 3

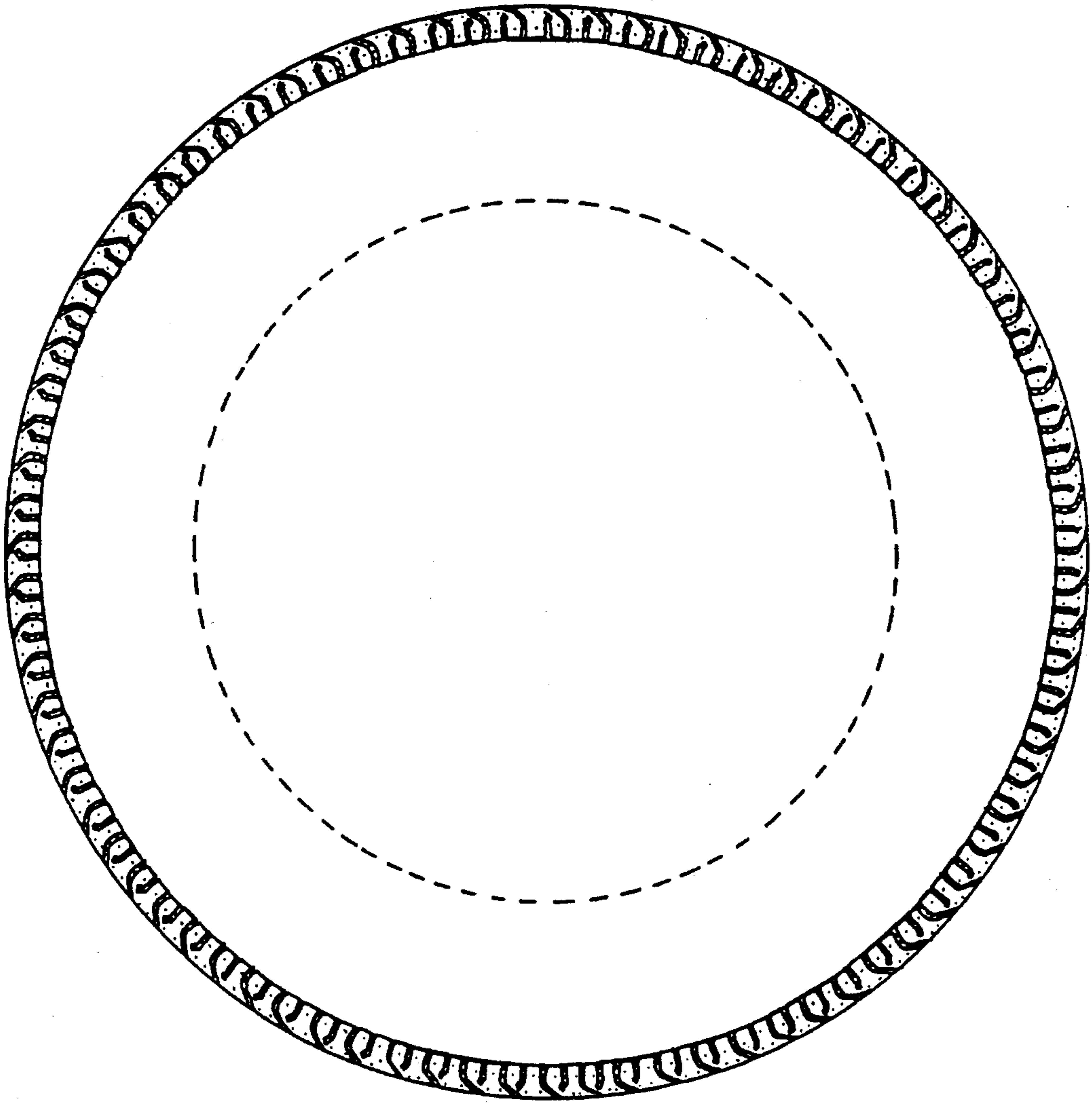


FIG. 4

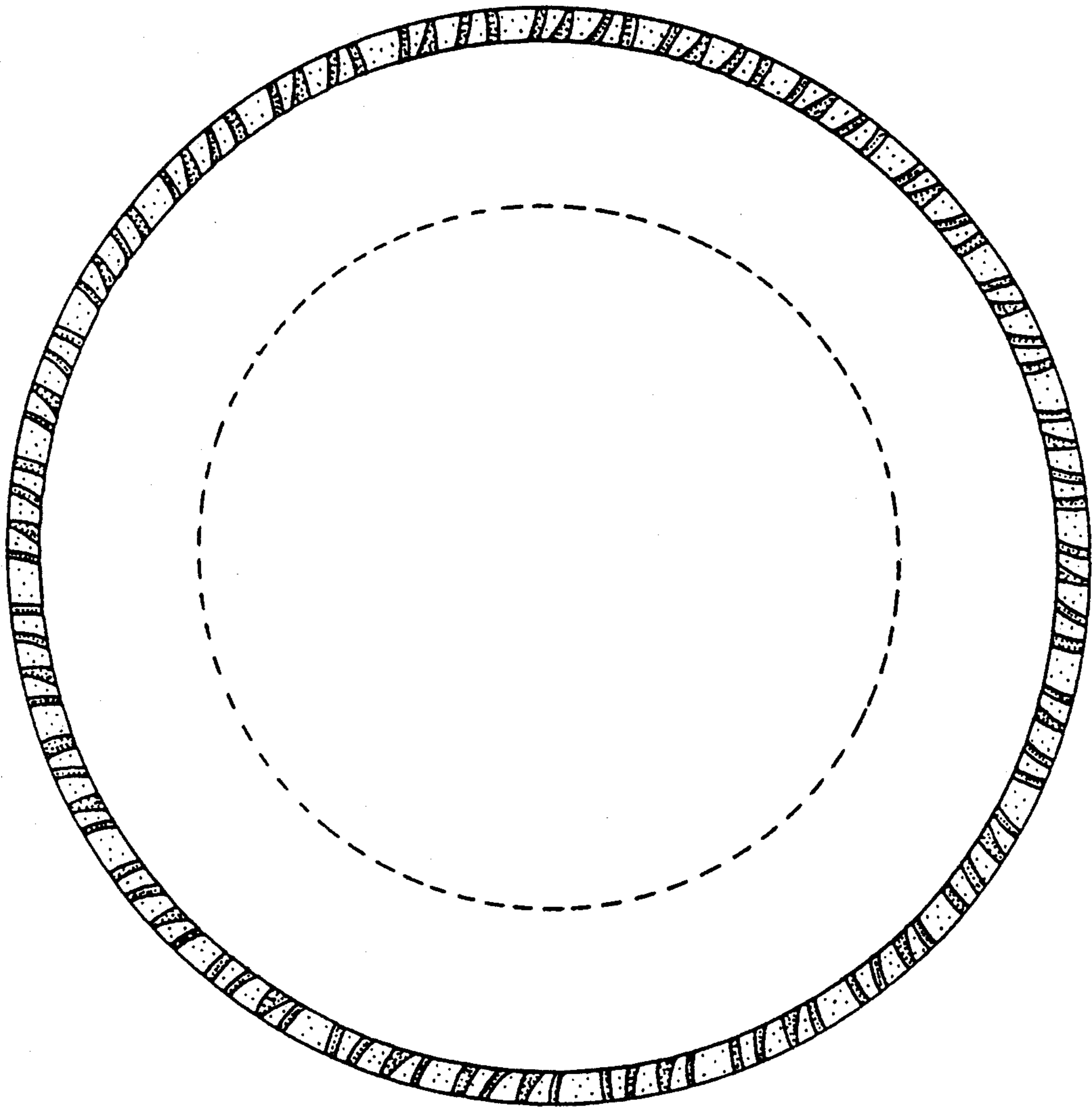


FIG. 5

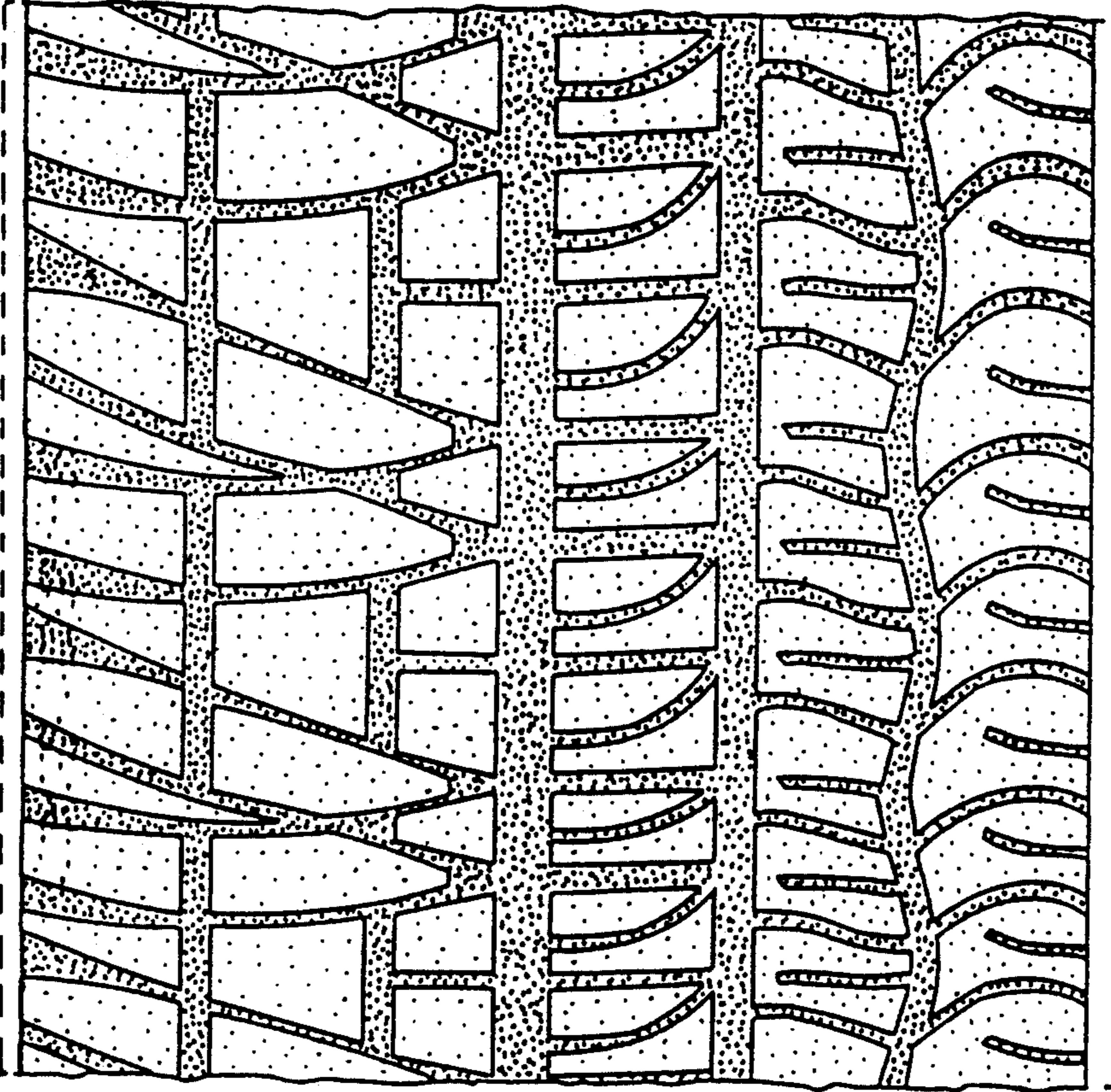


FIG.6

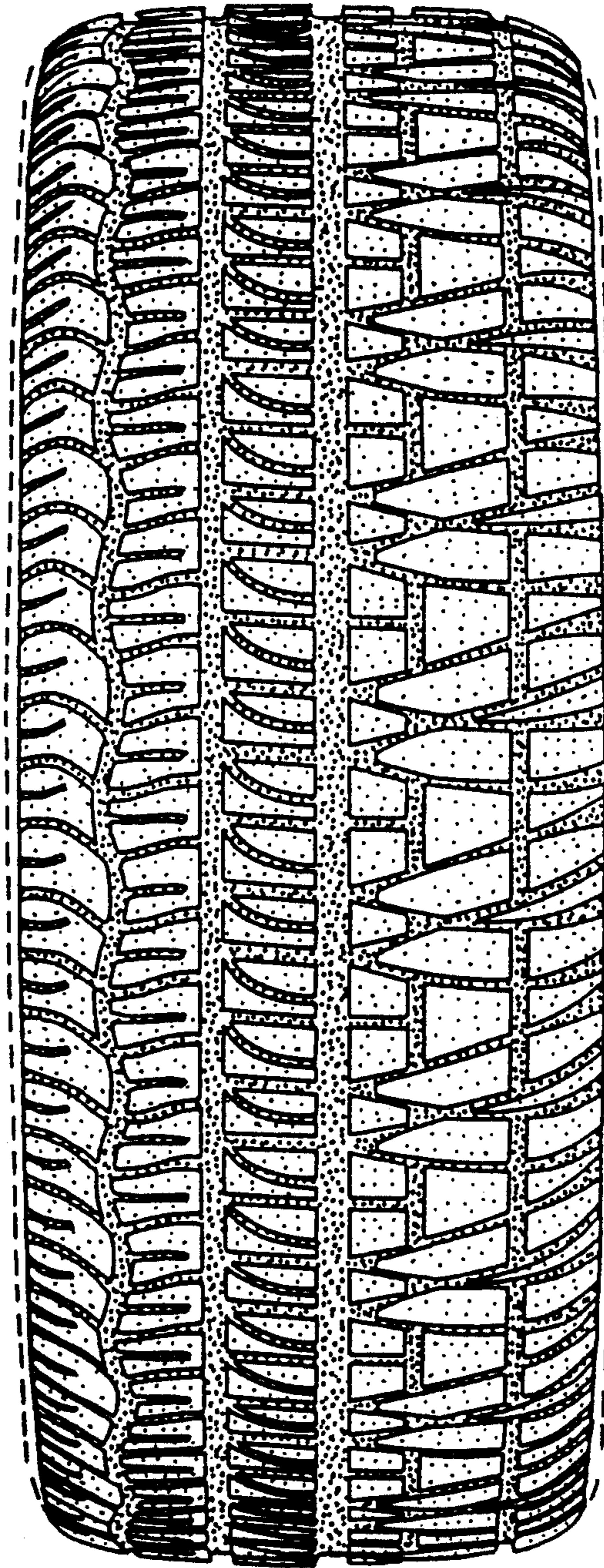


FIG. 7

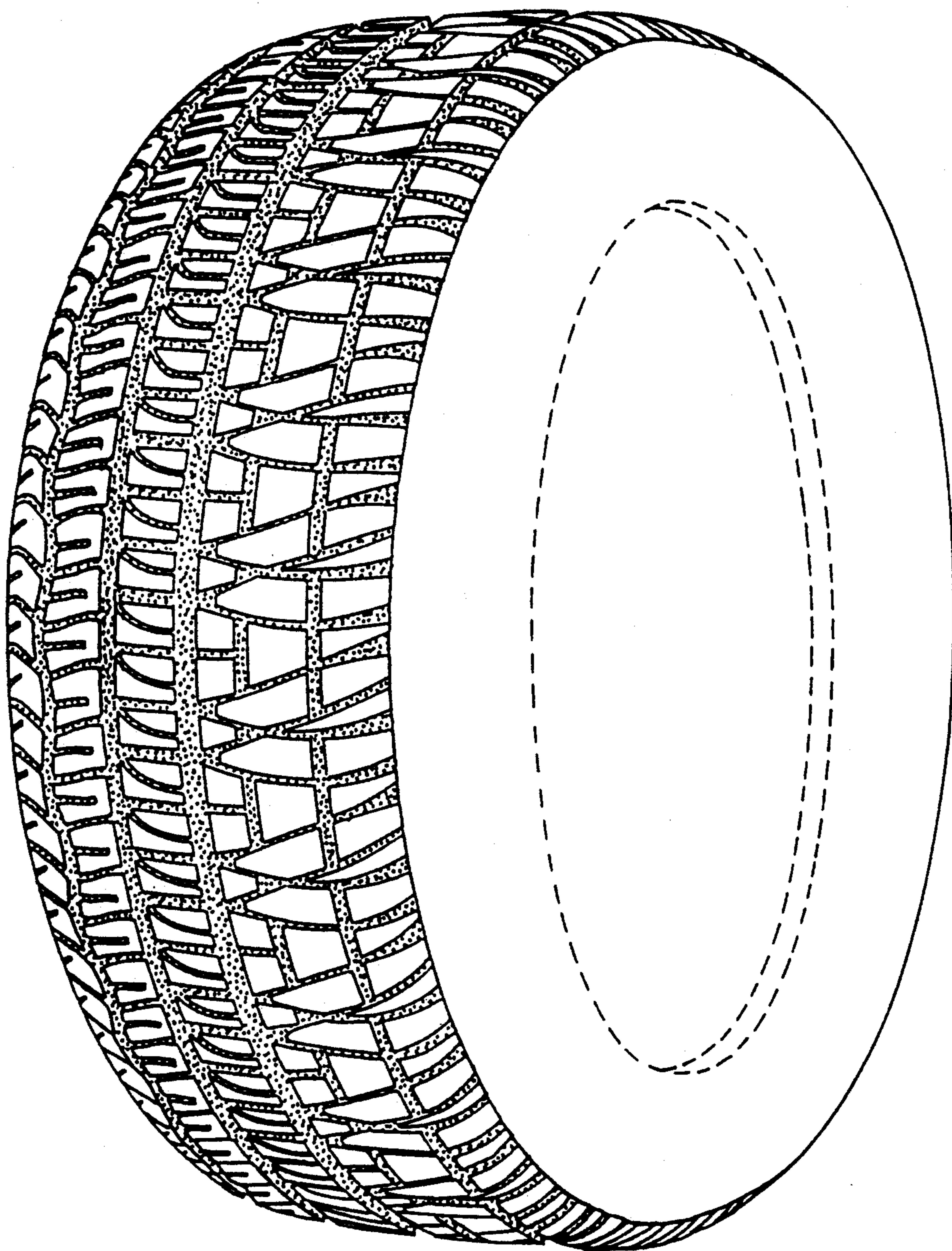


FIG. 8

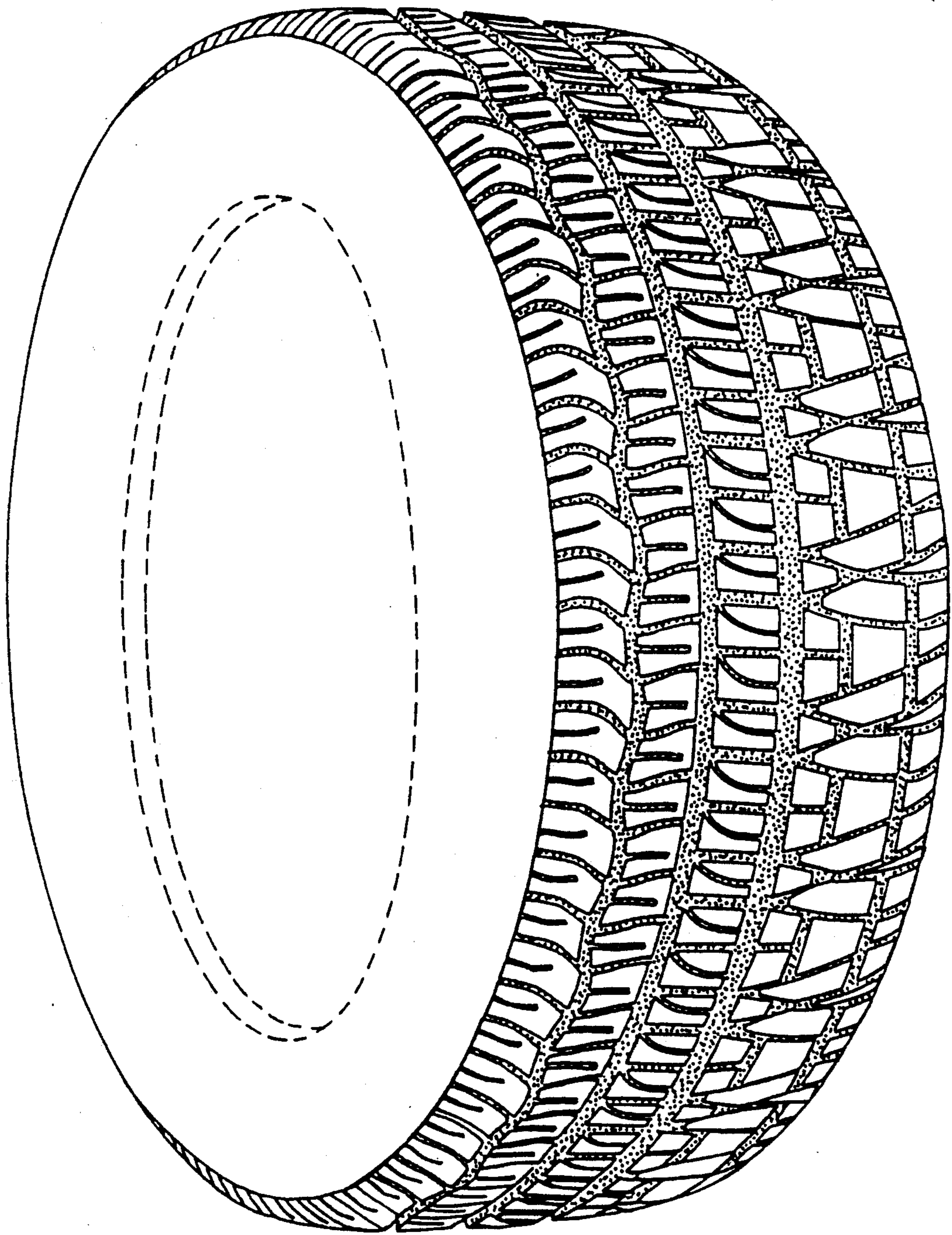


FIG. 9

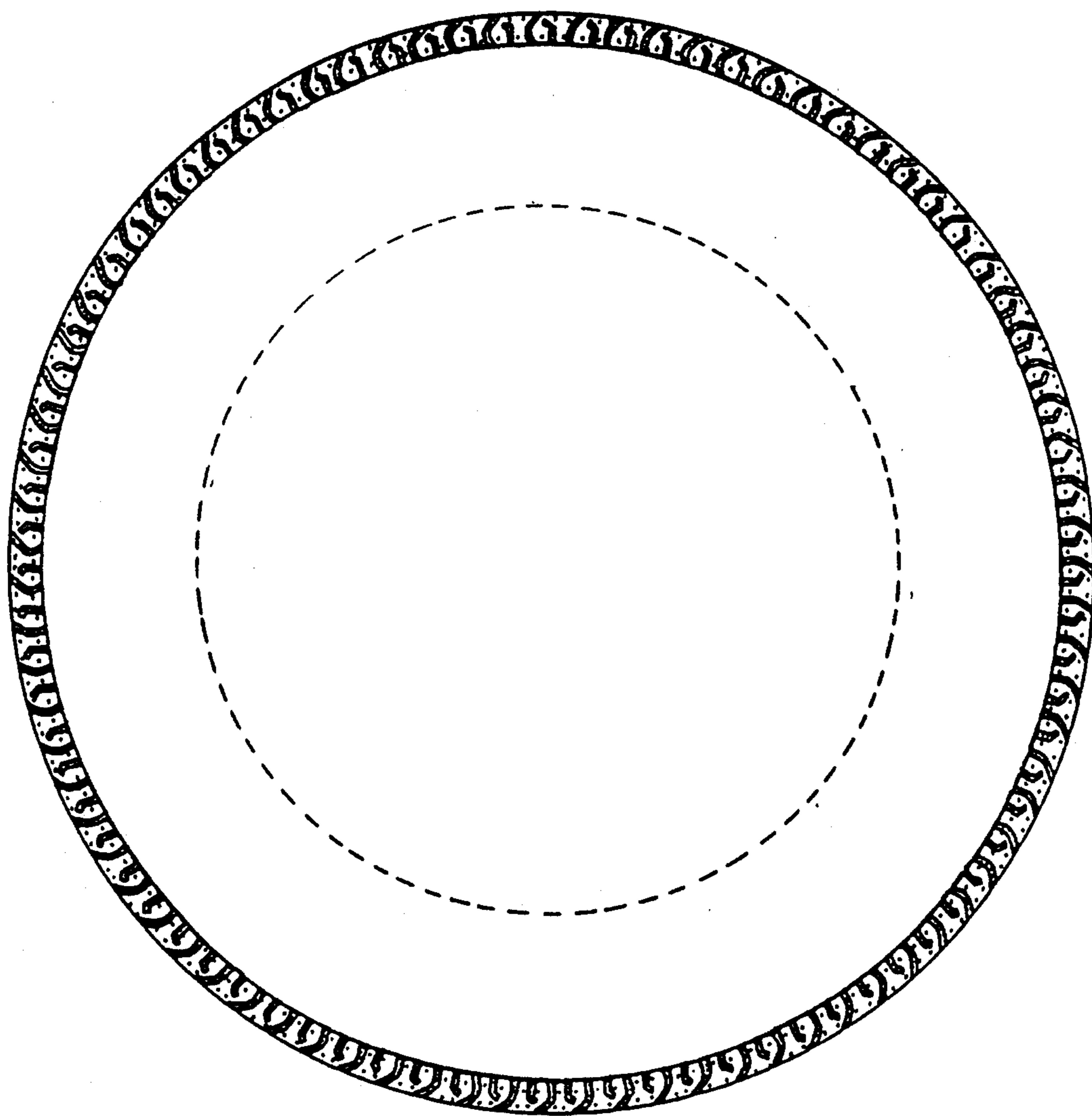


FIG. 10

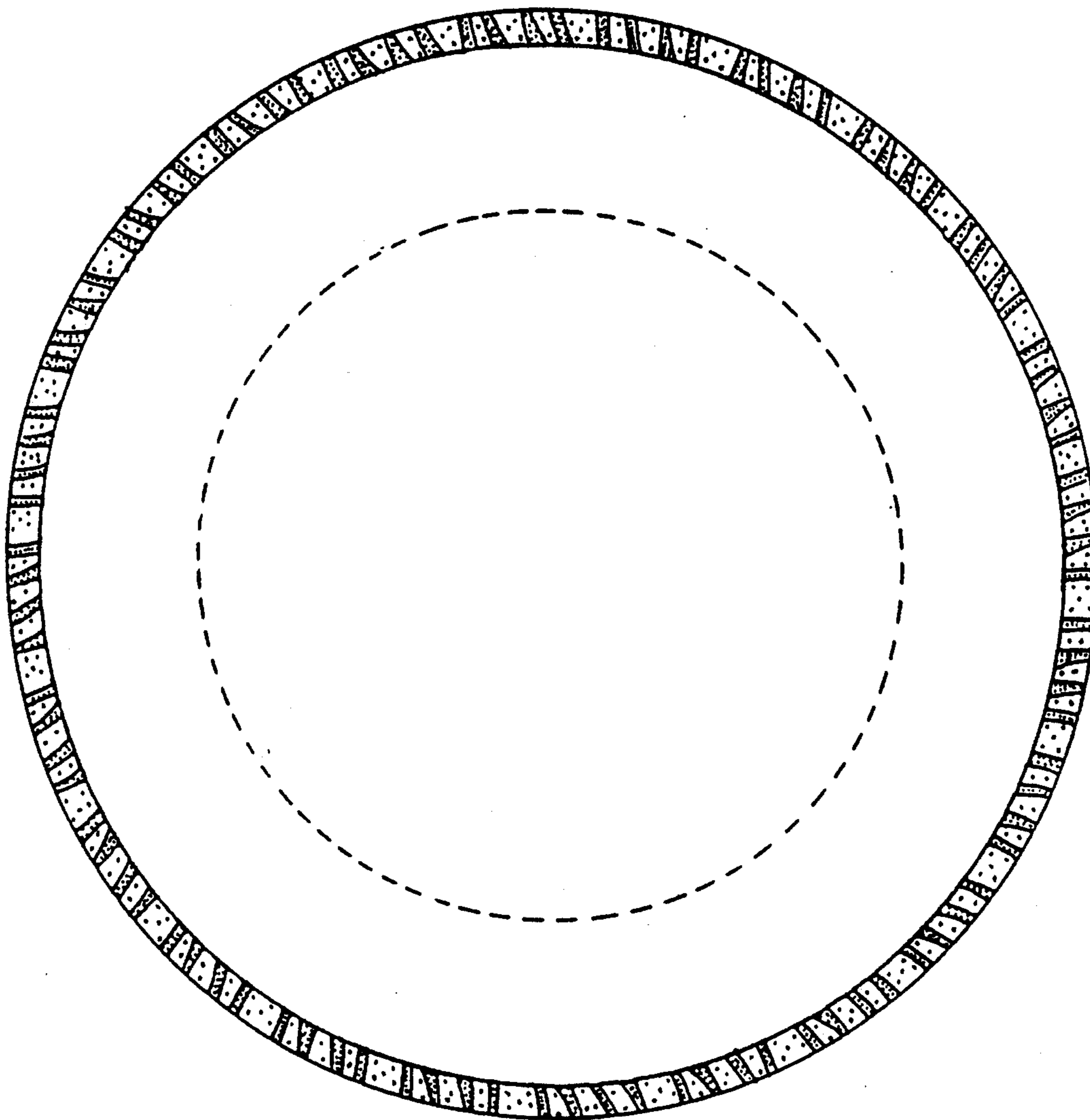


FIG. II

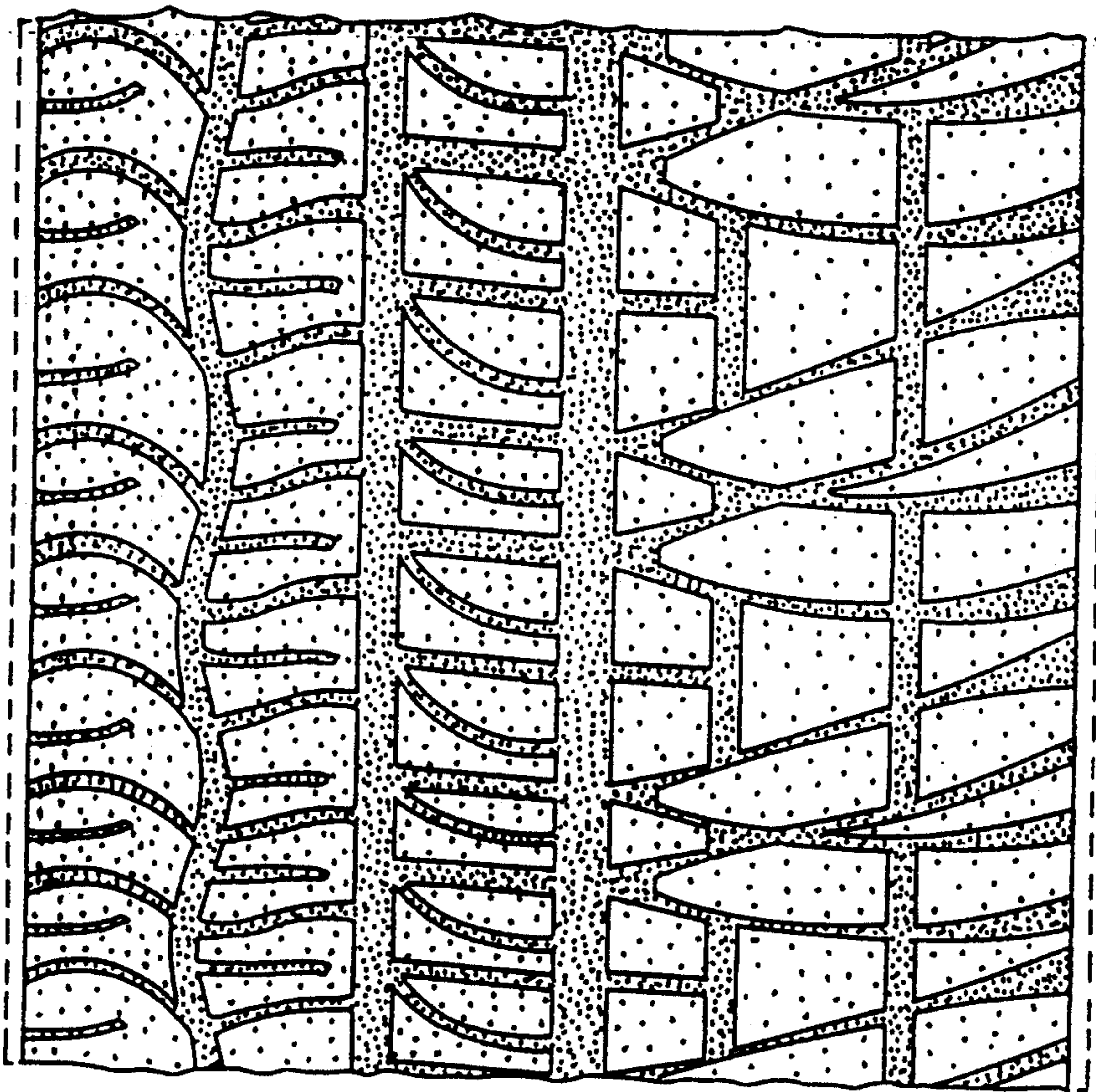


FIG. 12