



US00D336735S

United States Patent [19]

[11] Patent Number: **Des. 336,735**

Nulsen

[45] Date of Patent: **** Jun. 22, 1993**

[54] TIRE MOUNTED AIR PRESSURE GAUGE

4,924,697 5/1990 Hunt et al. D10/86 X

[76] Inventor: **Steven J. Nulsen**, 2147 Foreman Ct., Granite City, Ill. 62040-2546

Primary Examiner—Alan P. Douglas
Assistant Examiner—Antoine D. Davis
Attorney, Agent, or Firm—Terry M. Gernstein

[**] Term: **14 Years**

[57] **CLAIM**

[21] Appl. No.: **551,730**

The ornamental design for a tire mounted air pressure gauge, as shown and described.

[22] Filed: **Jul. 12, 1990**

[52] U.S. Cl. **D10/86**

[58] Field of Search D10/86; 73/146, 146.2, 73/146.3, 146.4, 146.5, 146.8

DESCRIPTION

[56] **References Cited**

U.S. PATENT DOCUMENTS

- D. 212,385 10/1968 Yamada D10/86
- D. 237,152 10/1975 Bluem D10/86
- 1,671,852 5/1928 Caldwell .
- 3,387,488 6/1968 Walker .
- 3,713,092 1/1973 Ivenbaum .

FIG. 1 is a perspective view of the tire mounted air pressure gauge embodying the design of the present invention;

FIG. 2 is a front elevational view thereof, the rear being a mirror image of the front shown in FIG. 2;

FIG. 3 is a typical side elevational view thereof, all side elevational views being identical to the view shown in FIG. 3;

FIG. 4 is a top plan view thereof; and,

FIG. 5 is a bottom view thereof.

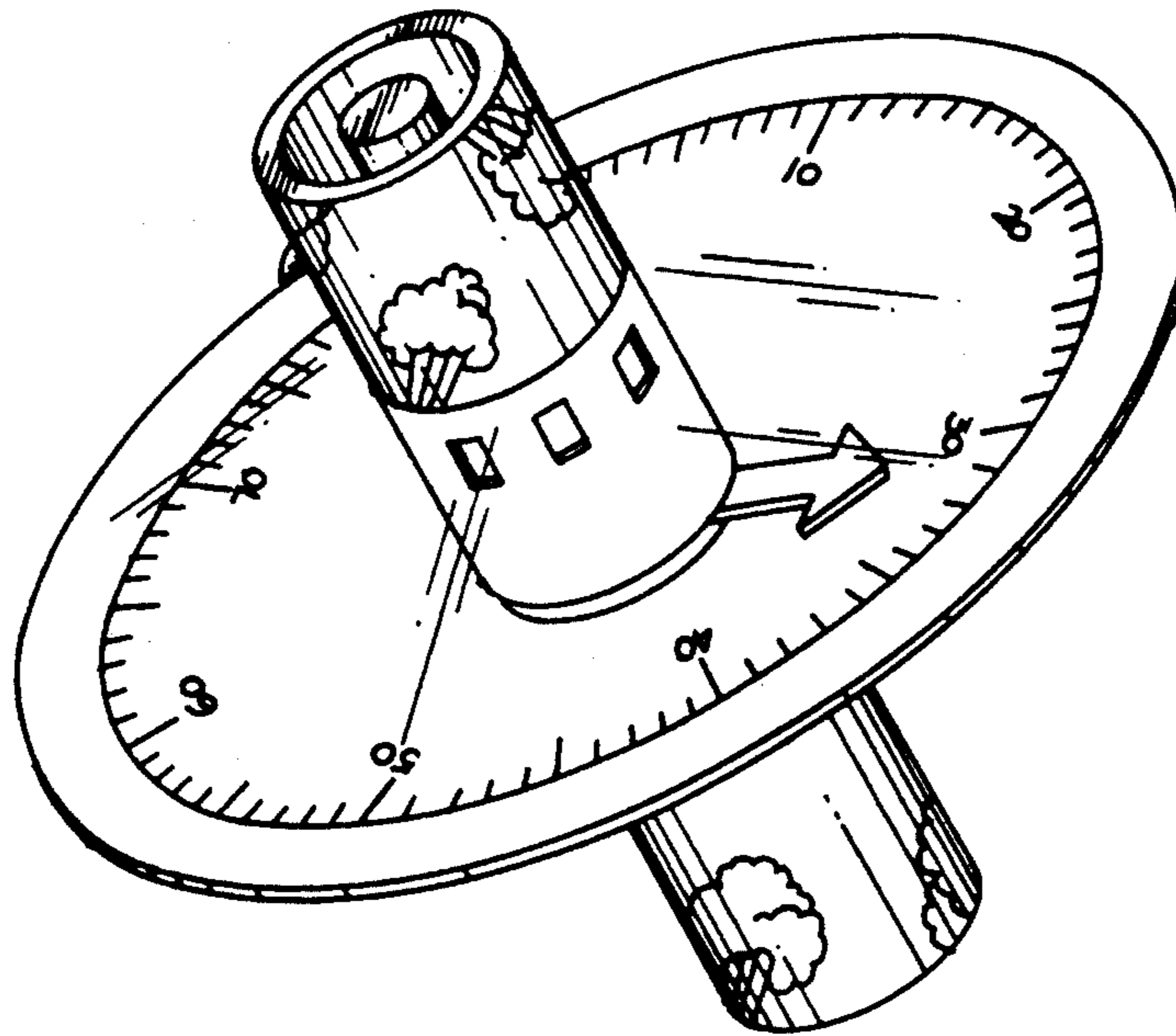
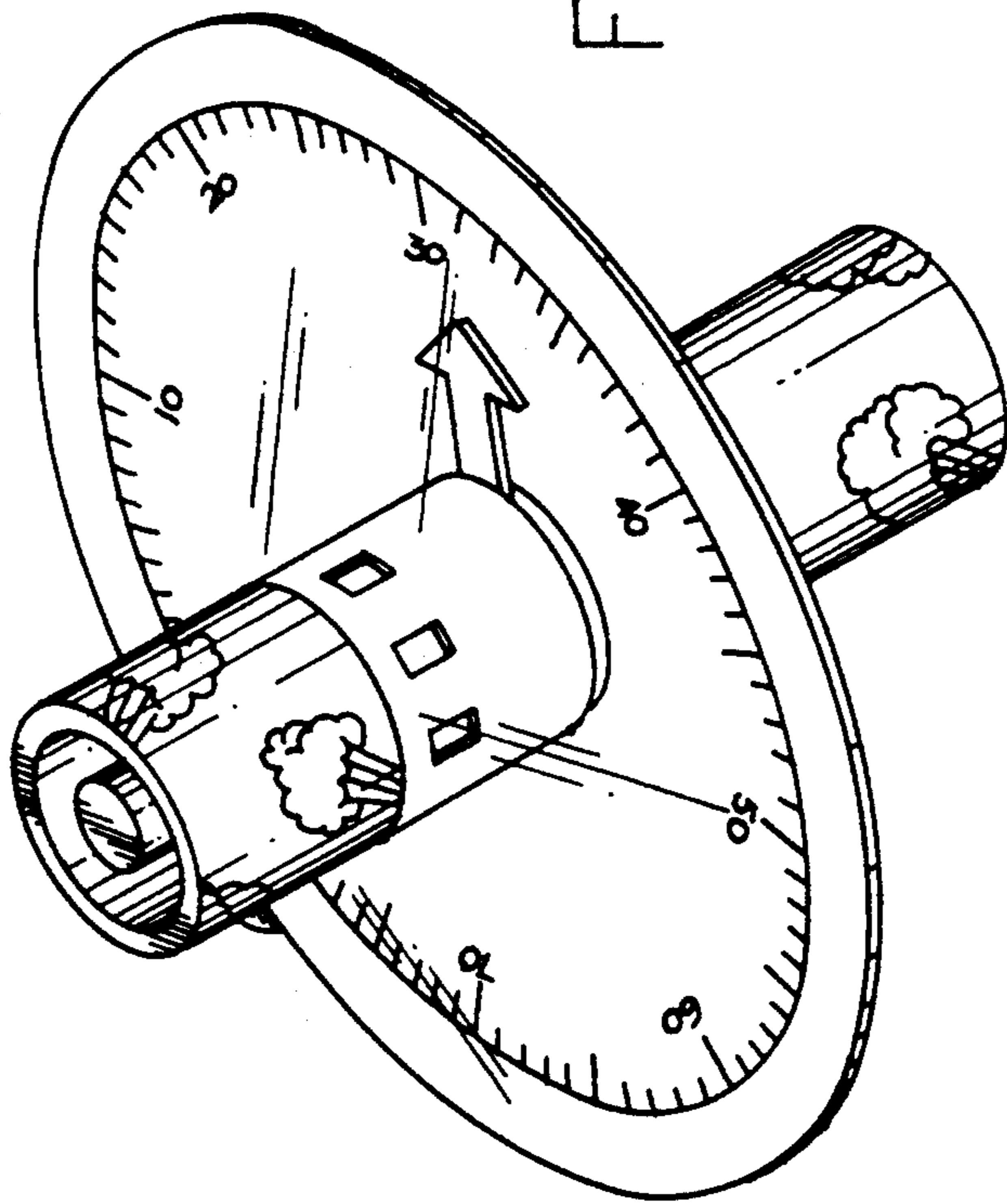


FIG. 1.



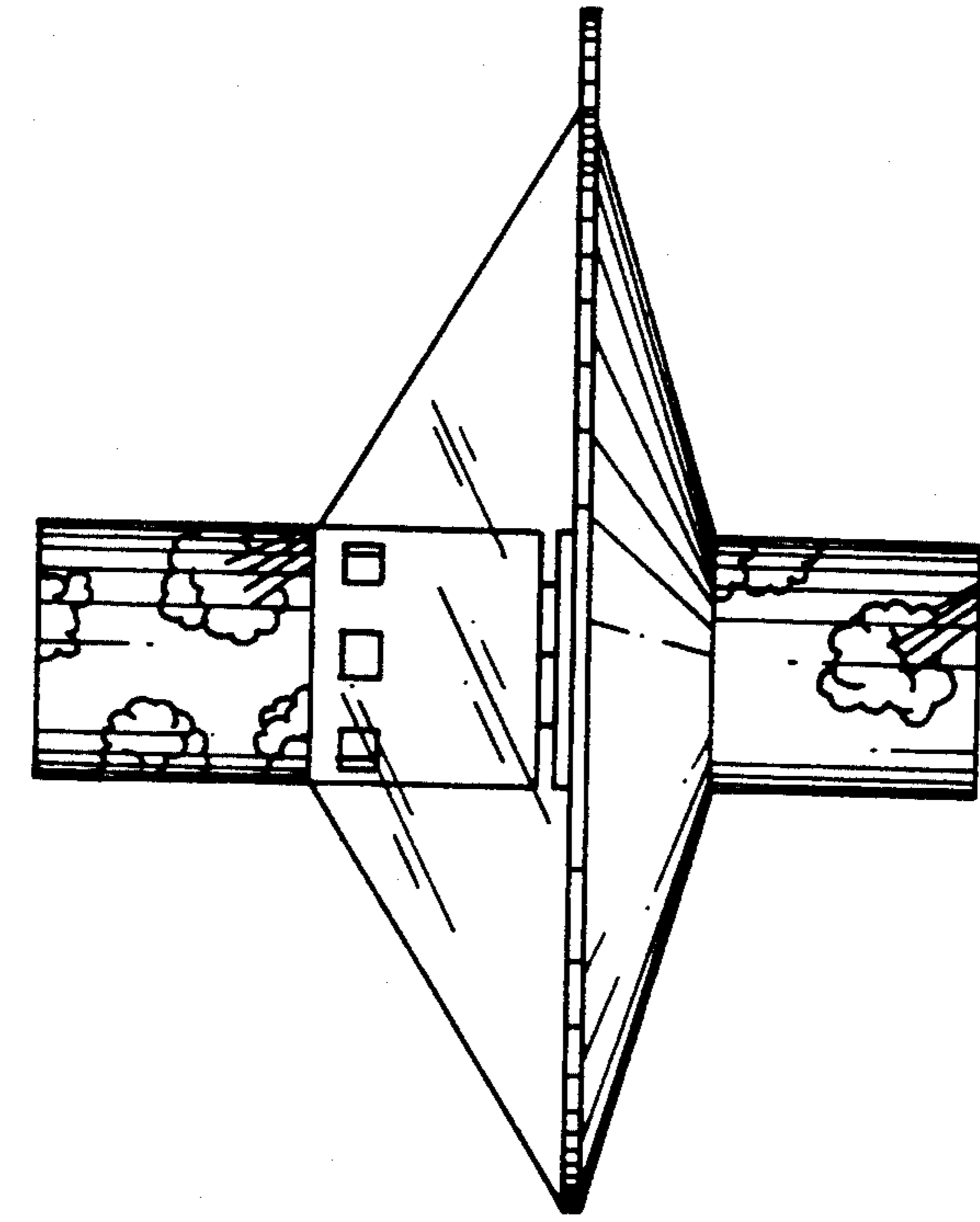


FIG. 2.

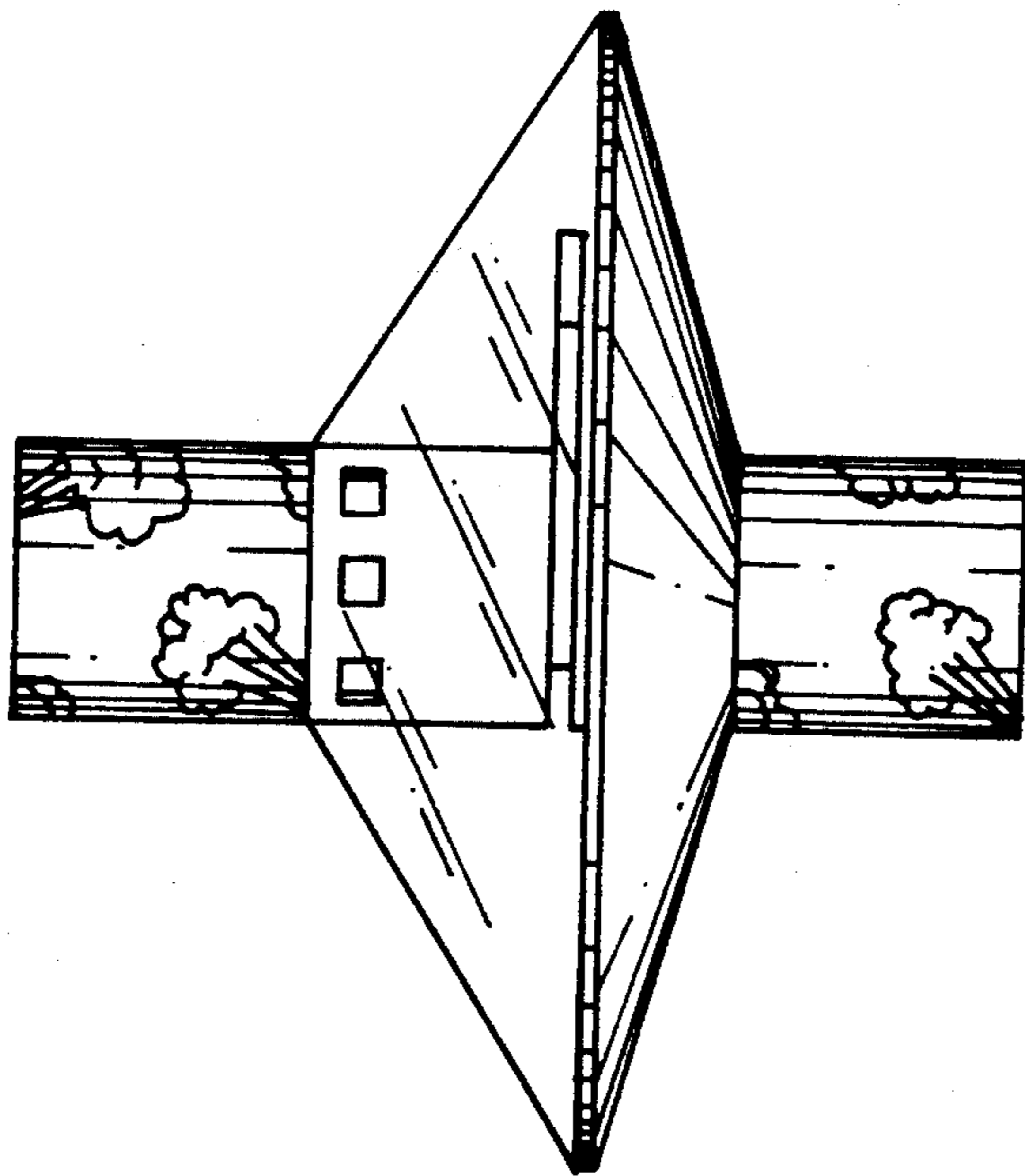


FIG. 3.

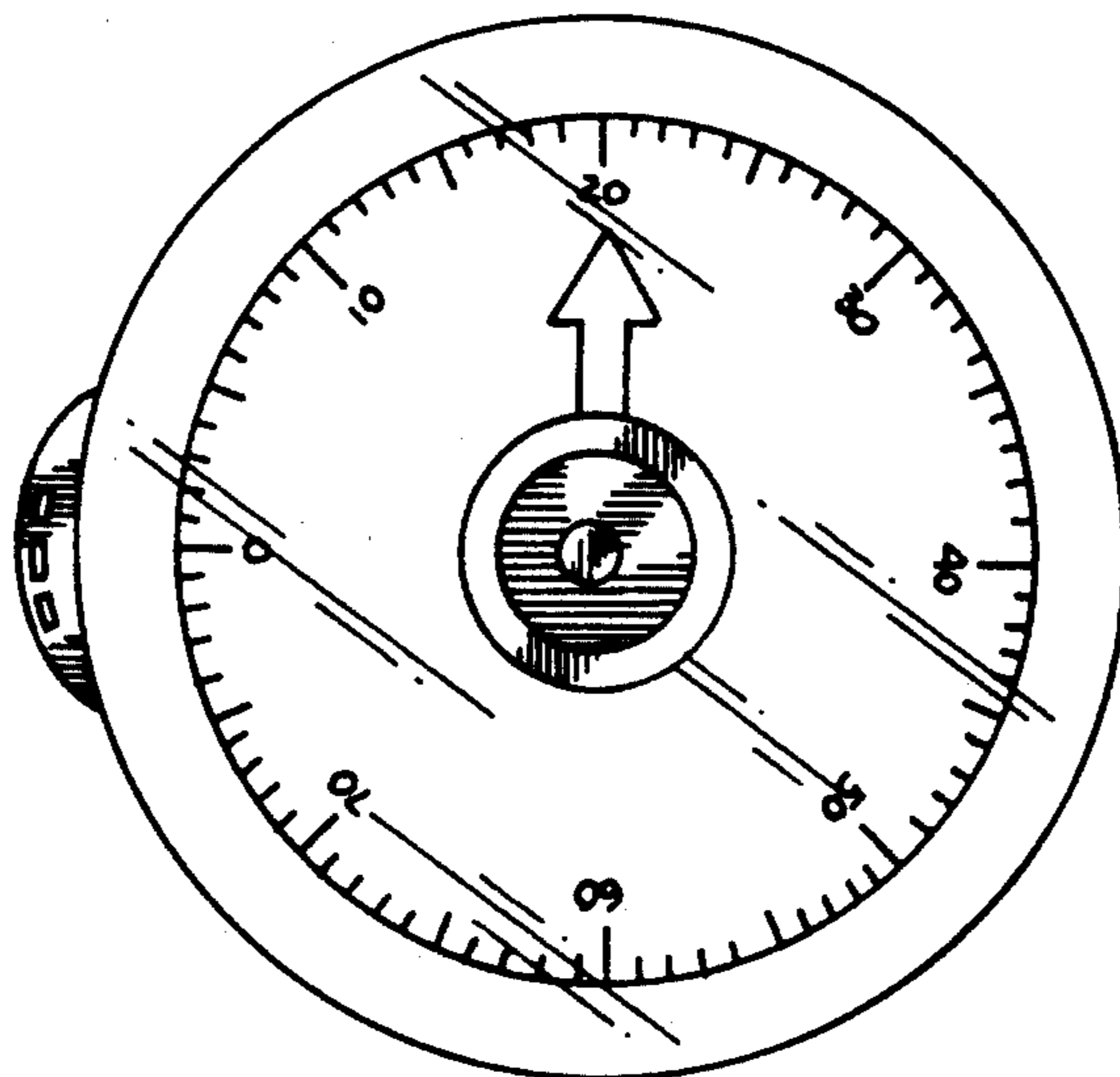


FIG. 4.

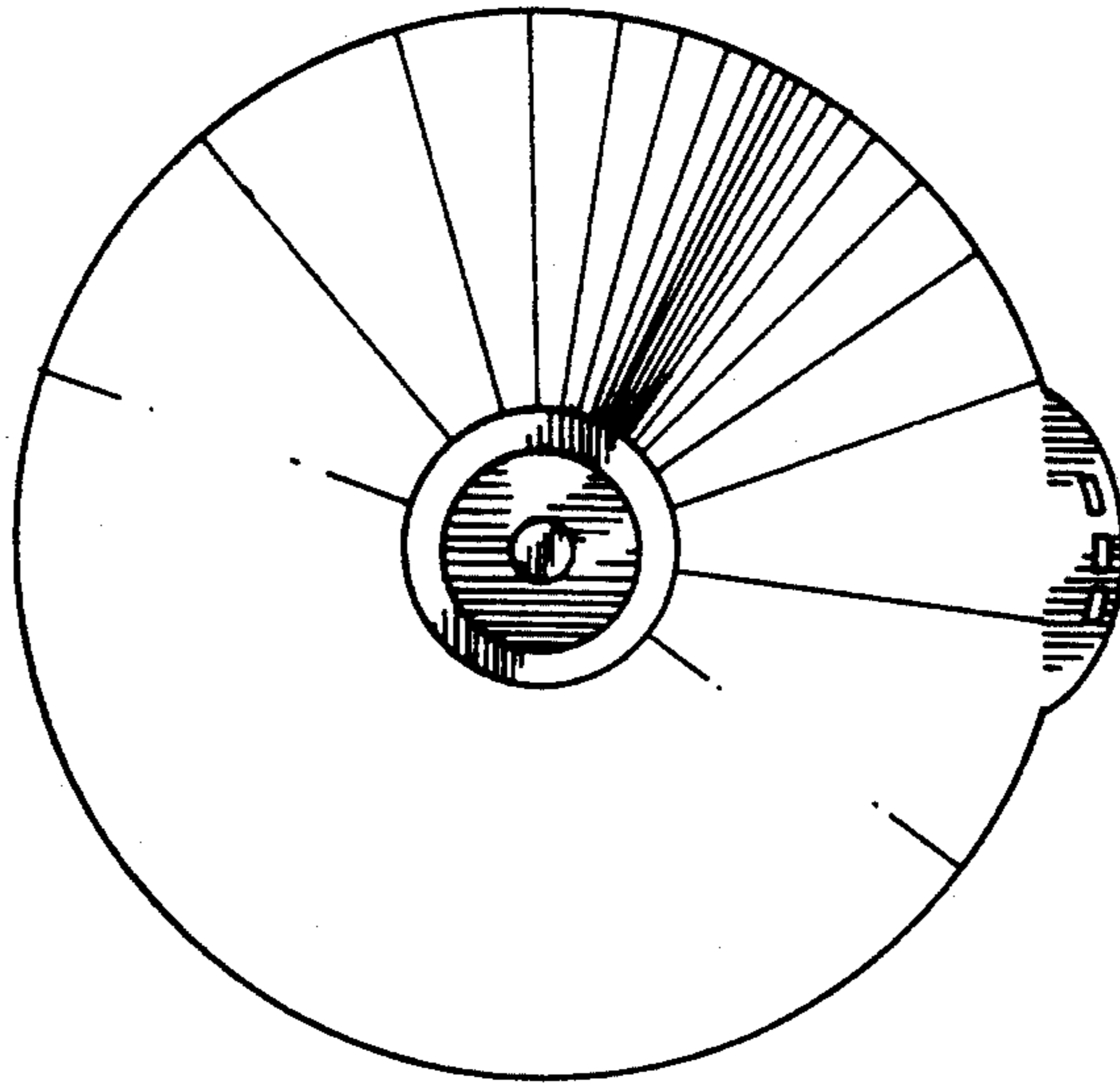


FIG. 5.