



US00D336730S

United States Patent [19]

Hofman

[11] Patent Number: **Des. 336,730**

[45] Date of Patent: **** Jun. 22, 1993**

[54] **ADJUSTABLE, OVER-WALL HANGER**

[75] Inventor: **James Hofman, Lake Bluff, Ill.**

[73] Assignee: **Rubbermaid Office Products Group Inc., Inglewood, Calif.**

[**] Term: **14 Years**

[21] Appl. No.: **692,513**

[22] Filed: **Apr. 29, 1991**

[52] U.S. Cl. **D8/373**

[58] Field of Search **D8/373, 367; D6/411, D6/553, 547, 323; 248/215, 301; 24/563; 211/86-87**

2,959,297	11/1960	Larson	211/90
3,635,355	11/1972	Kronenberger	211/183
4,458,872	7/1984	Couch	248/497
4,852,838	8/1989	Field	248/222.1

Primary Examiner—Wallace R. Burke
Assistant Examiner—H. Baynham
Attorney, Agent, or Firm—Richard B. O'Planick; Lisa B. Riedesel

[57] CLAIM

The ornamental design for an adjustable, over-wall hanger, as shown and described.

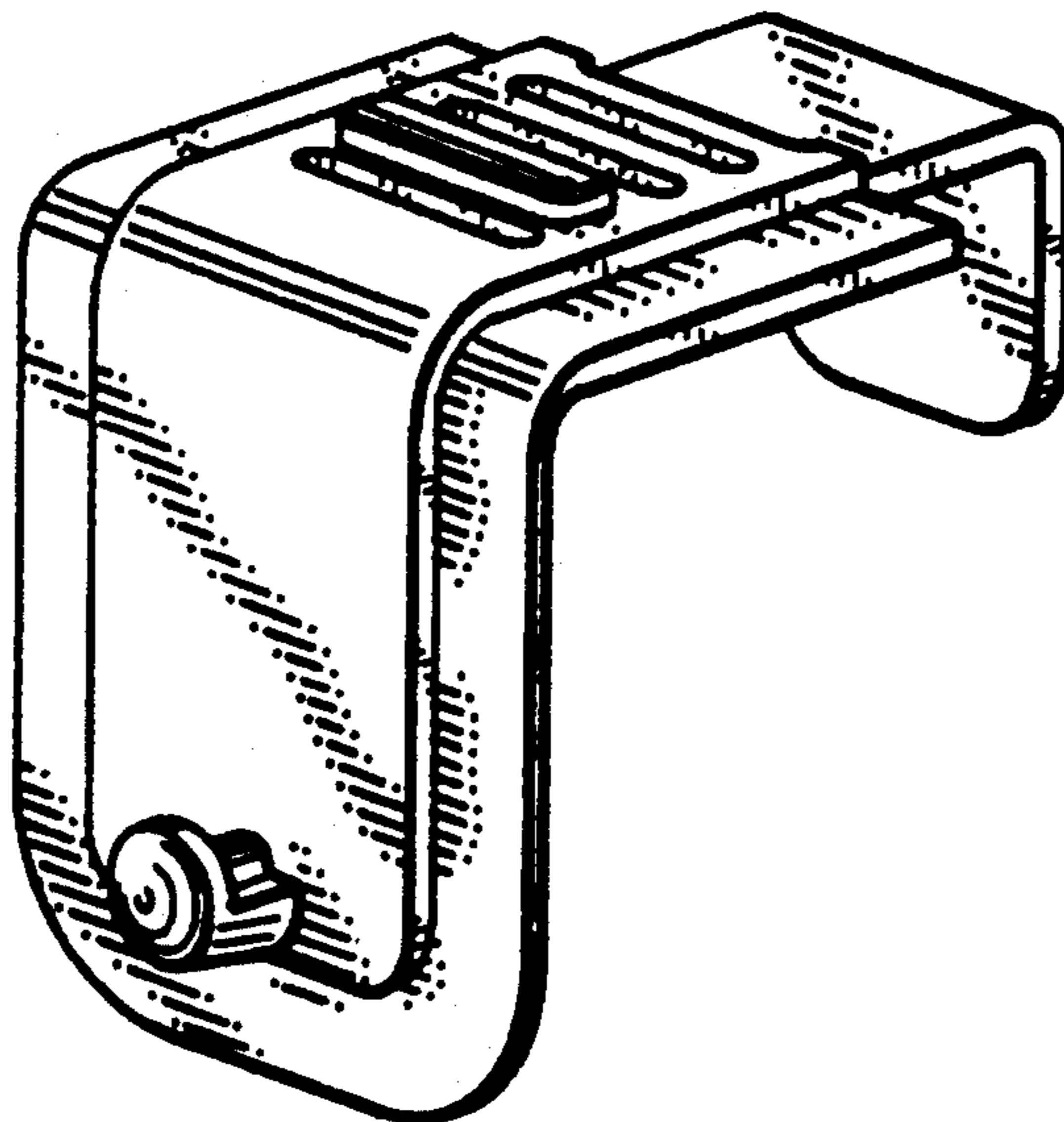
DESCRIPTION

FIG. 1 is a front elevational view of an adjustable, over-wall hanger showing my new design;
FIG. 2 is a rear elevational view;
FIG. 3 is a right side elevational view, the left side elevational view being a mirror image;
FIG. 4 is a top plan view;
FIG. 5 is a bottom plan view; and,
FIG. 6 is a perspective view from the front, top and right side.

[56] References Cited

U.S. PATENT DOCUMENTS

D. 274,037	5/1984	Crim et al.	D8/373
D. 289,972	5/1987	Fogelman	D8/367 X
D. 306,964	4/1990	Zupancic	D8/354
D. 312,961	12/1990	Evenson	D8/373
D. 326,021	5/1992	Evenson	D8/367 X
2,633,998	4/1953	Derman	211/104



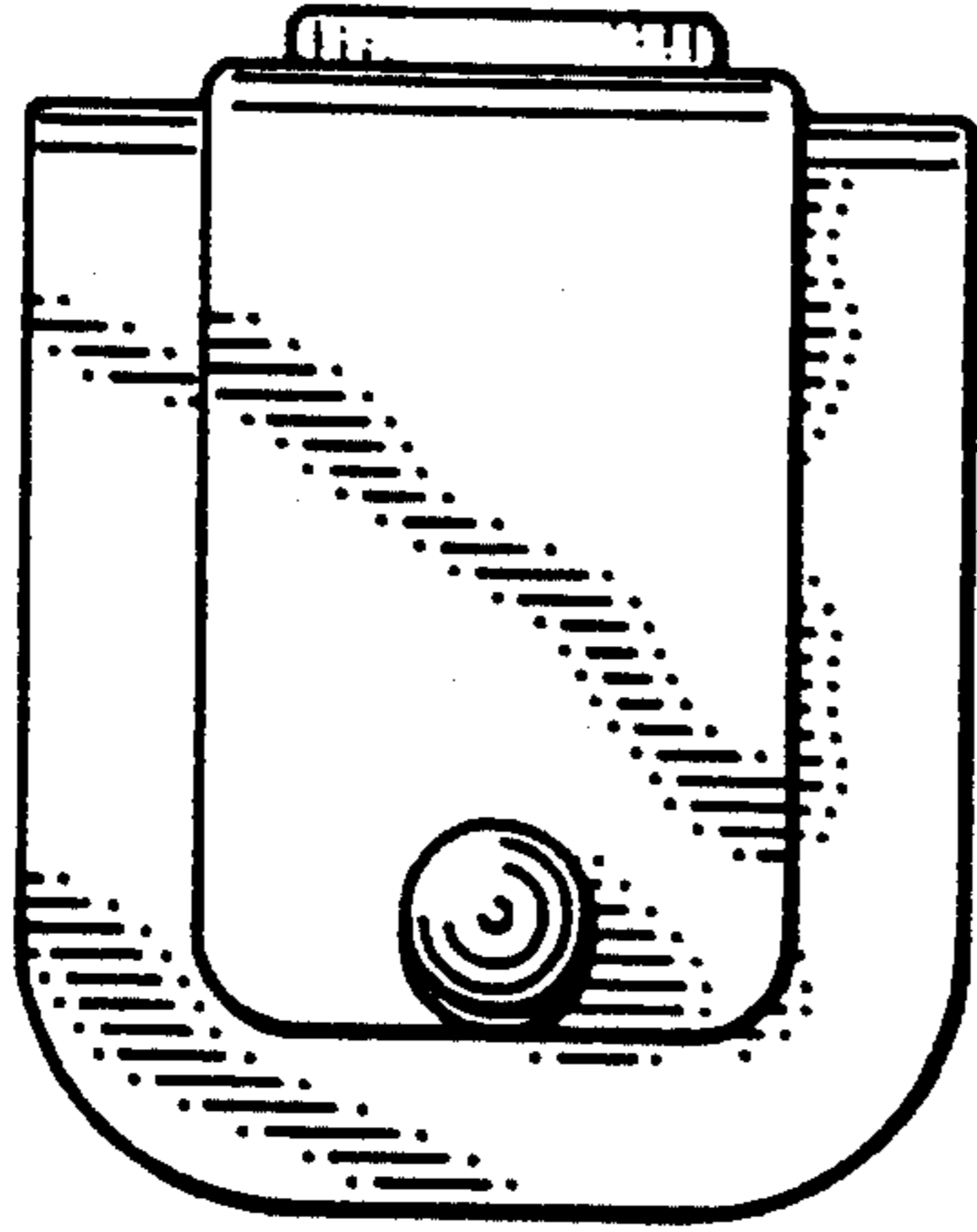


FIG. 1

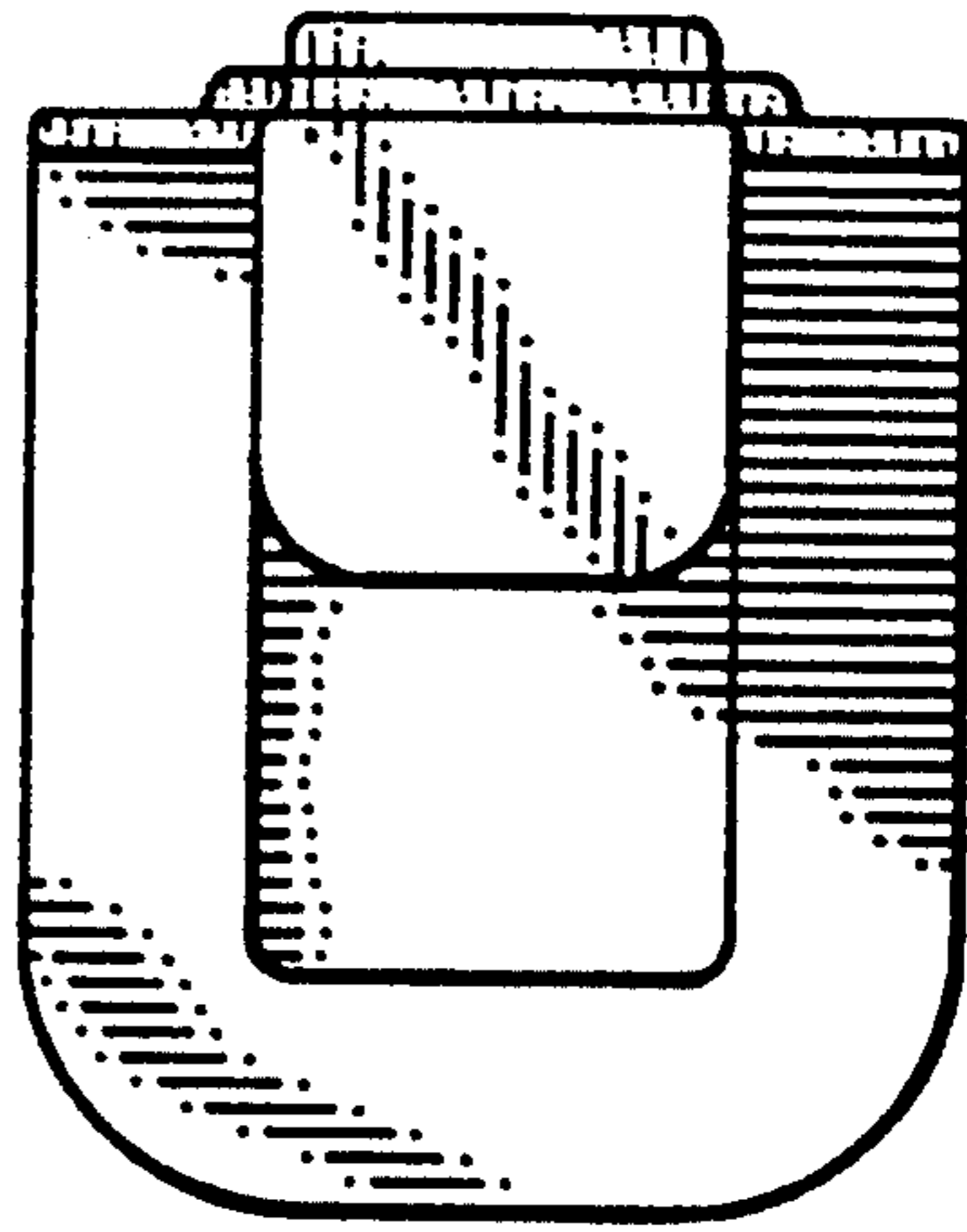


FIG. 2

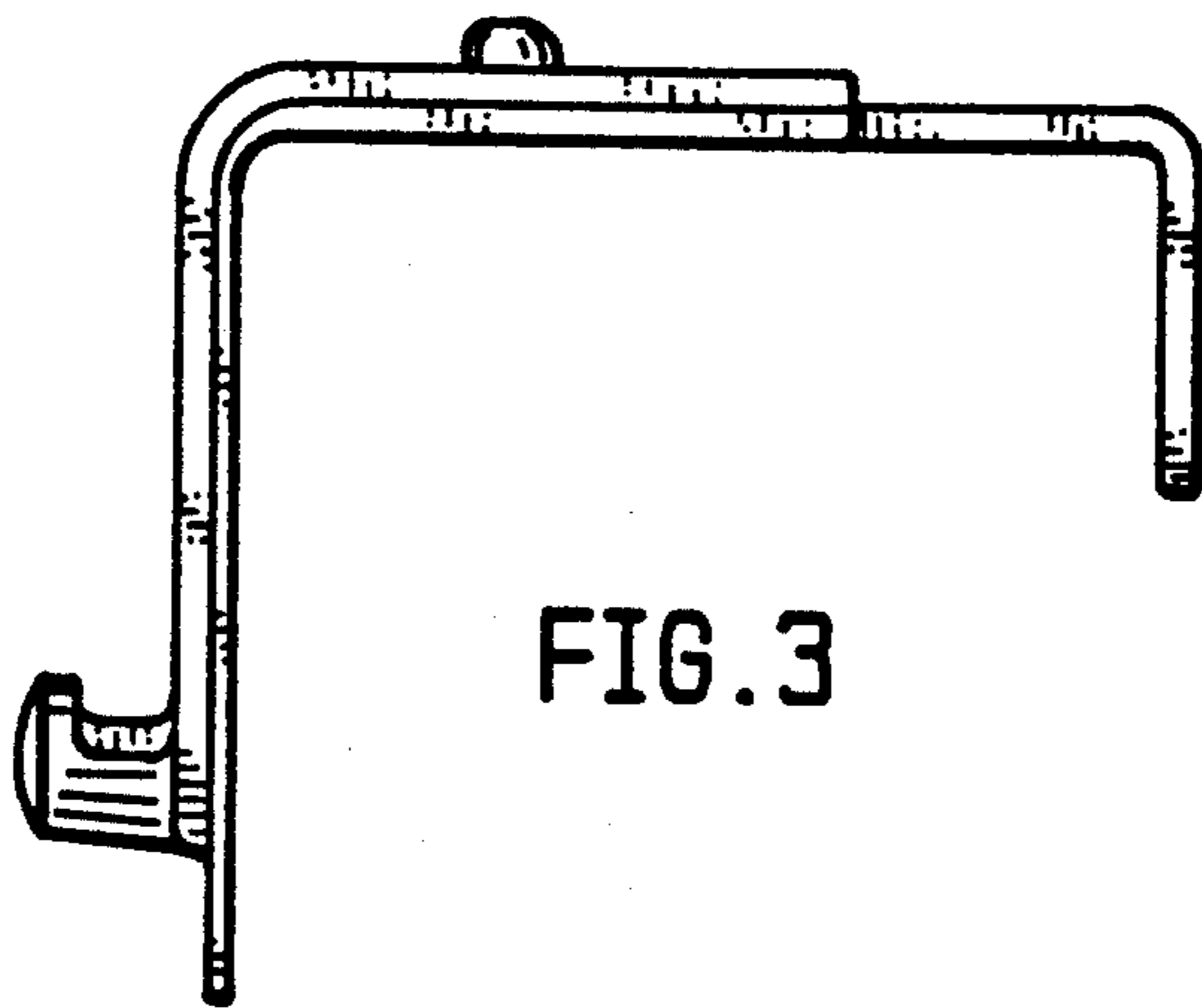


FIG. 3

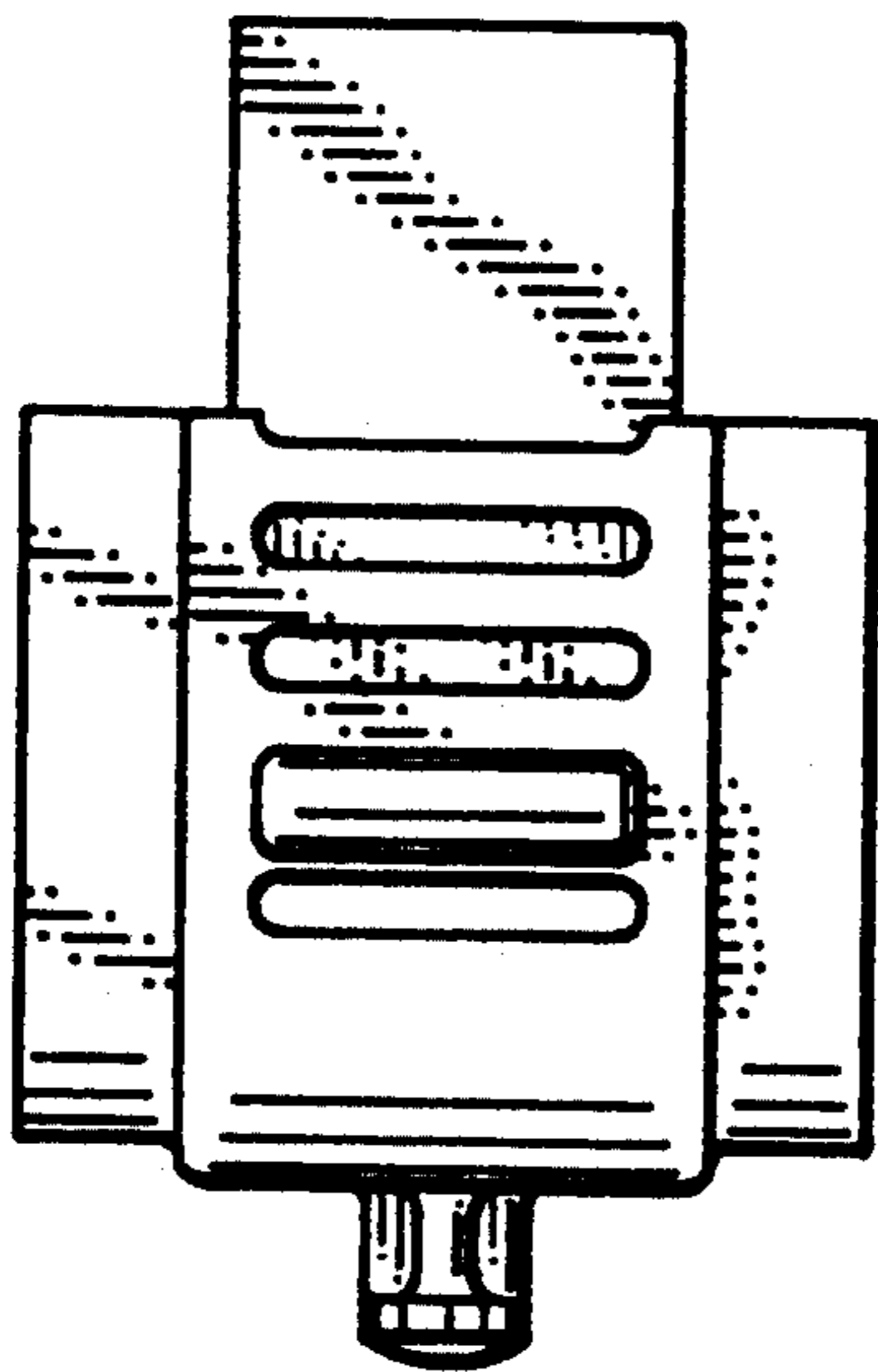


FIG. 4

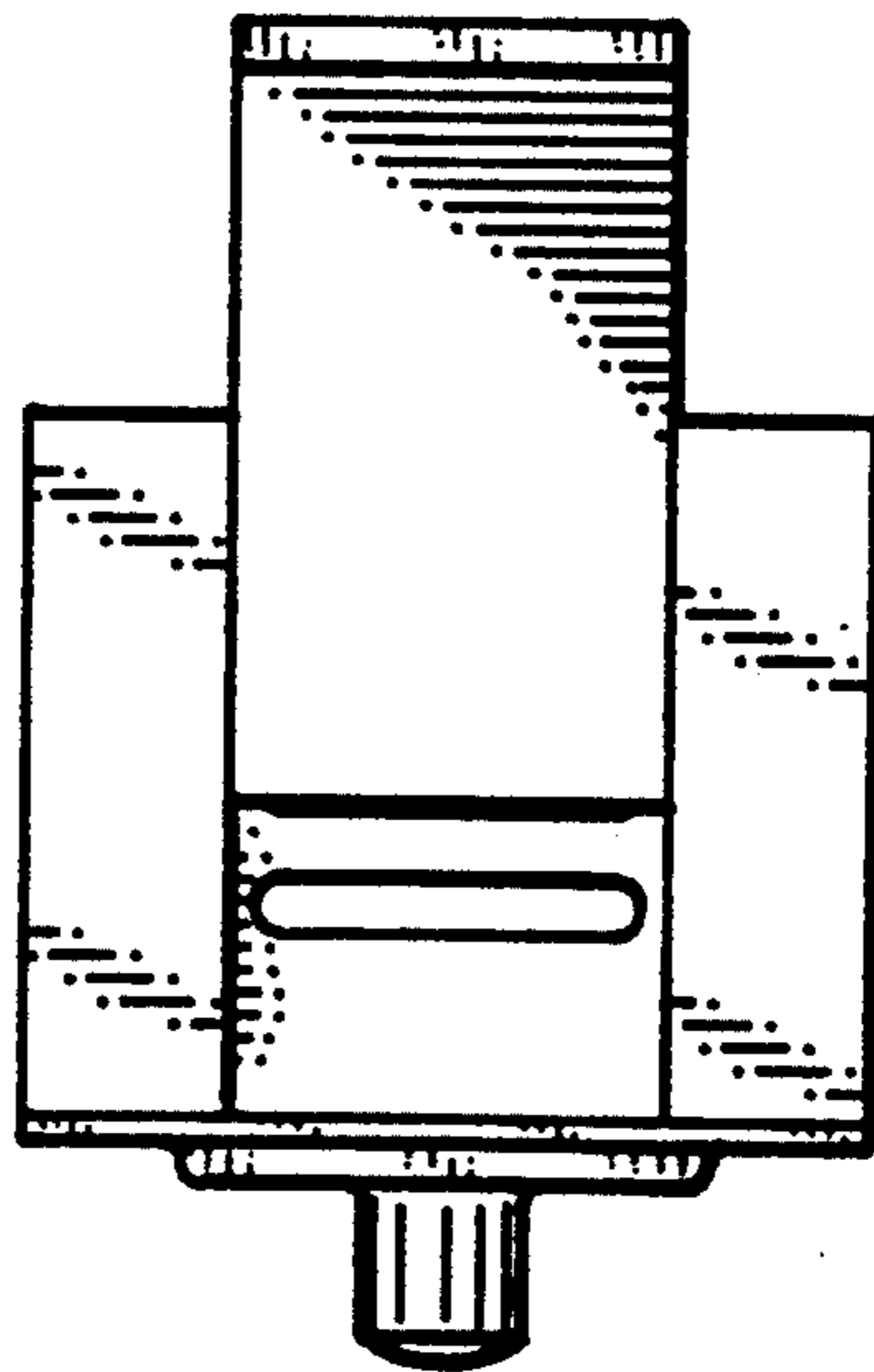


FIG. 5

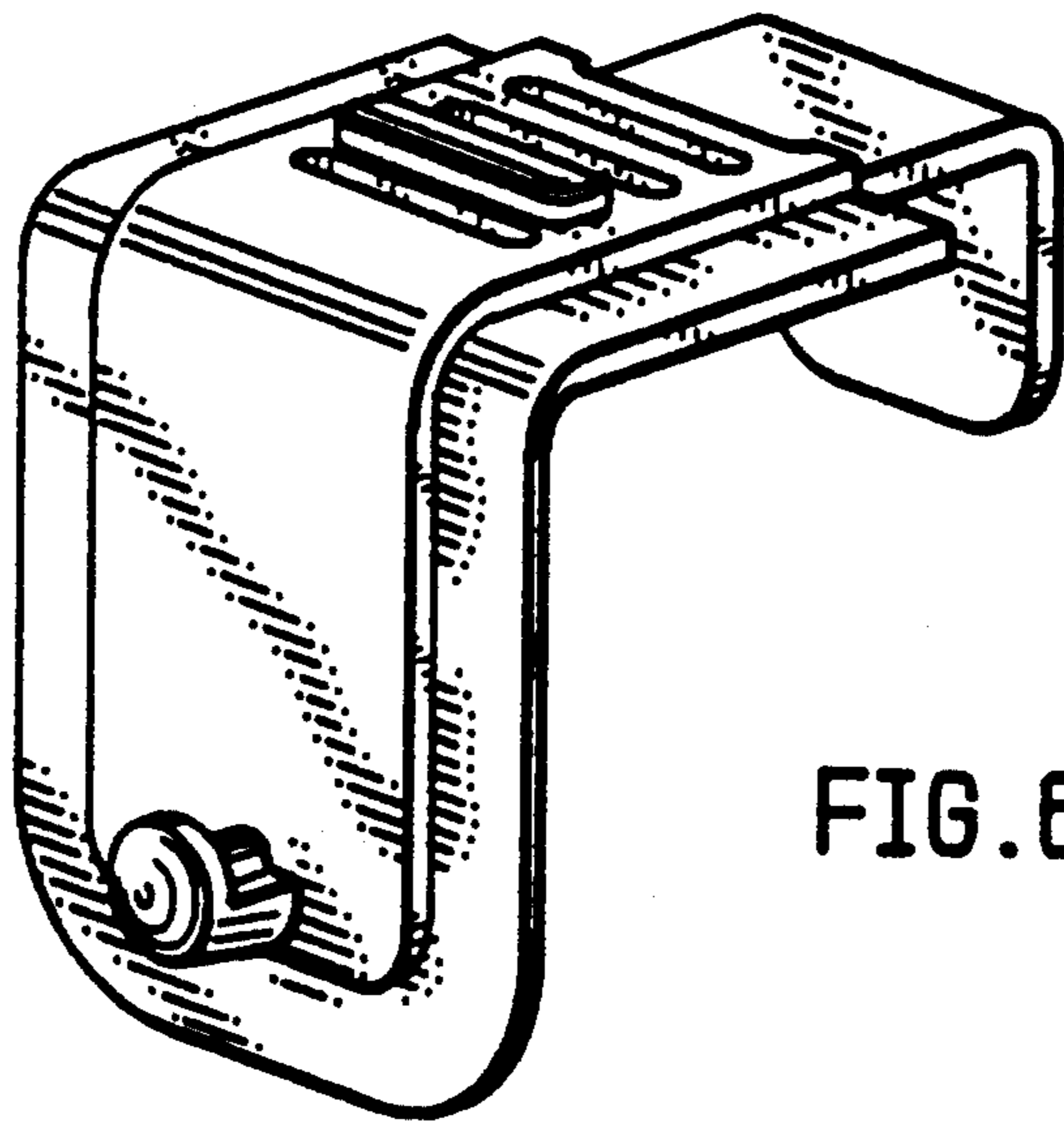


FIG. 6