



US00D336725S

United States Patent [19]

[11] Patent Number: **Des. 336,725**

Emanuel

[45] Date of Patent: **** Jun. 22, 1993**

[54] **AUDIO-VISUAL CABINET**

[76] Inventor: **Frank V. Emanuel**, 303 County Rd., Cresskill, N.J. 07626

[**] Term: **14 Years**

[21] Appl. No.: **717,117**

[22] Filed: **Jun. 18, 1991**

[52] U.S. Cl. **D6/477; D6/446; D6/474**

[58] Field of Search **D6/449, 396, 397, 474, D6/429, 430, 431, 473, 477-479, 446, 448, 445; 108/59, 111, 106-108; 211/150, 13**

[56] **References Cited**

U.S. PATENT DOCUMENTS

D. 288,152	3/1987	Fuss et al.	D6/446
D. 306,665	3/1990	Wright	D6/446 X
D. 319,154	8/1991	Powell	D6/446 X
2,445,164	7/1948	Worthman	211/150 X
4,204,480	5/1980	Hanna	108/108
4,322,005	3/1982	Robertson	211/150 X
4,688,681	8/1987	Bergeron	211/150 X

Primary Examiner—Alan P. Douglas

Assistant Examiner—Jeffrey Asch
Attorney, Agent, or Firm—Eliot S. Gerber

[57] **CLAIM**

The ornamental design for audio-visual cabinet, as shown and described.

DESCRIPTION

FIG. 1 is a front elevational view of the audio-visual cabinet of the present design;

FIG. 2 is a side elevational view of the audio-visual cabinet as shown in FIG. 1;

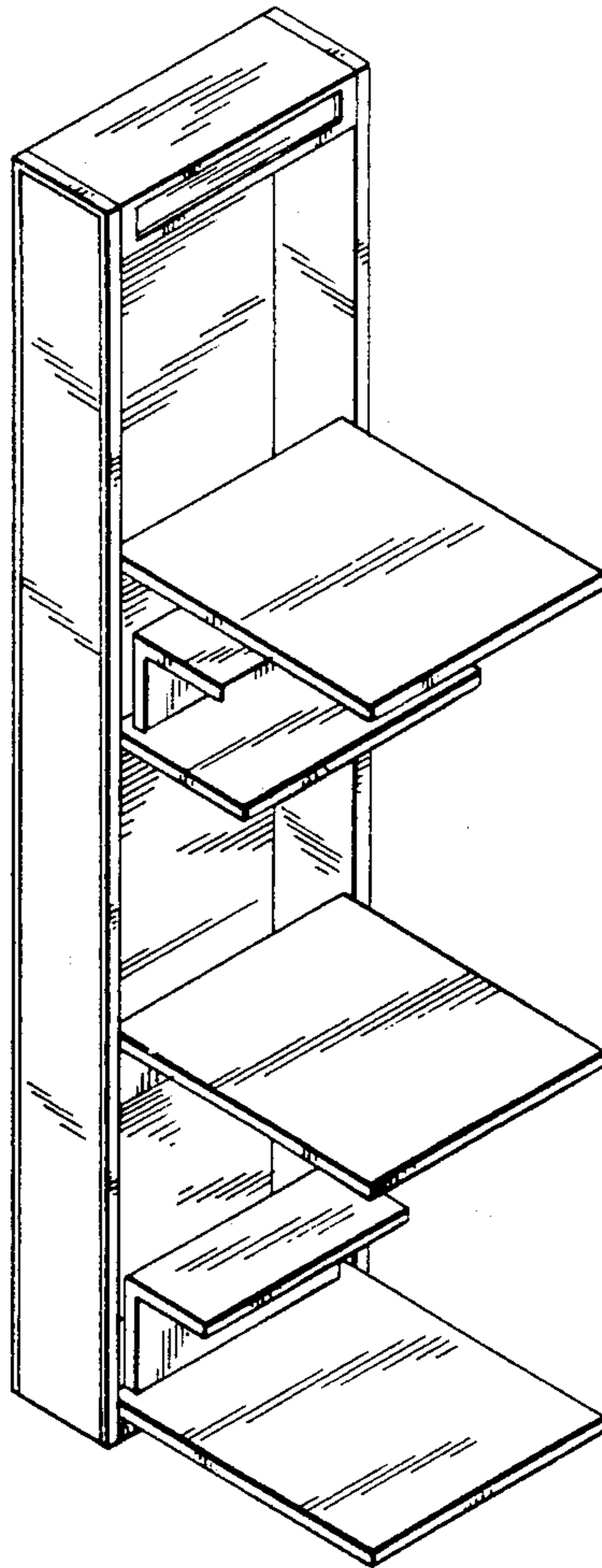
FIG. 3 is a side elevational view of the audio-visual cabinet of FIG. 1, but with the support doors partly raised;

FIG. 4 is a side elevational view of the audio-visual cabinet of FIG. 1, but with the support doors fully raised and closed; and,

FIG. 5 is a perspective view of the audio-visual cabinet of FIG. 1 with the support doors lowered, as shown in FIGS. 1 and 2.

The rear of the audio-visual cabinet is flat and unornamented.

The broken line showing of audio-visual components in FIGS. 1 and 2 being for illustrative purpose only.



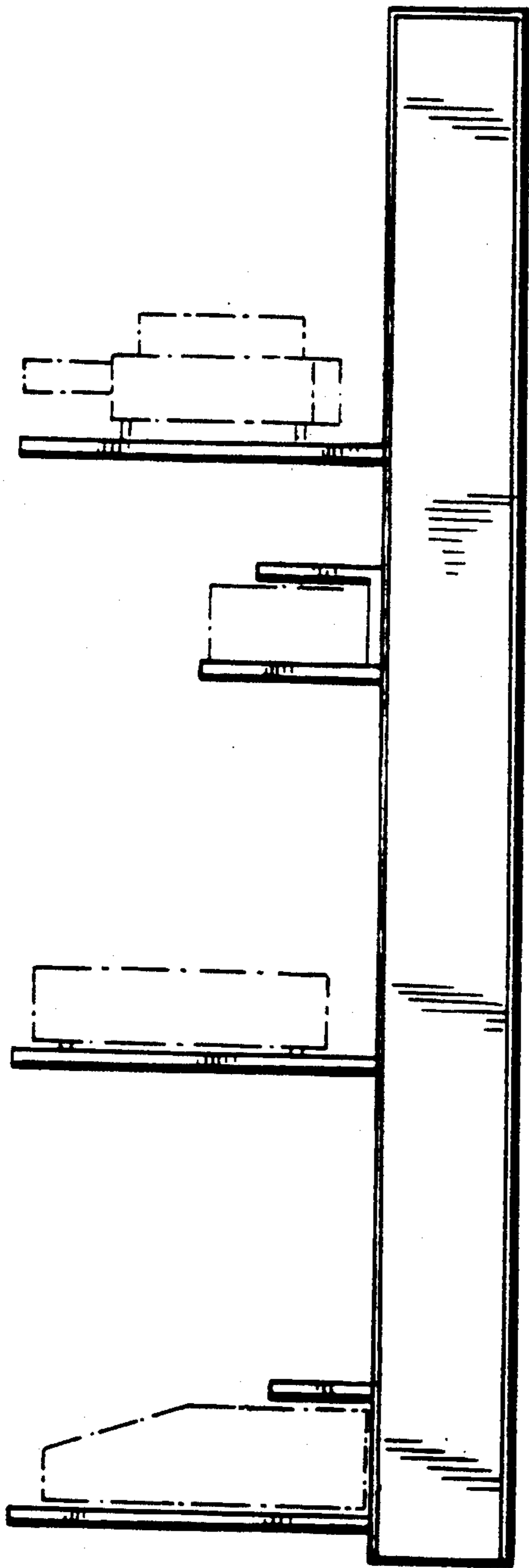


FIG. 2

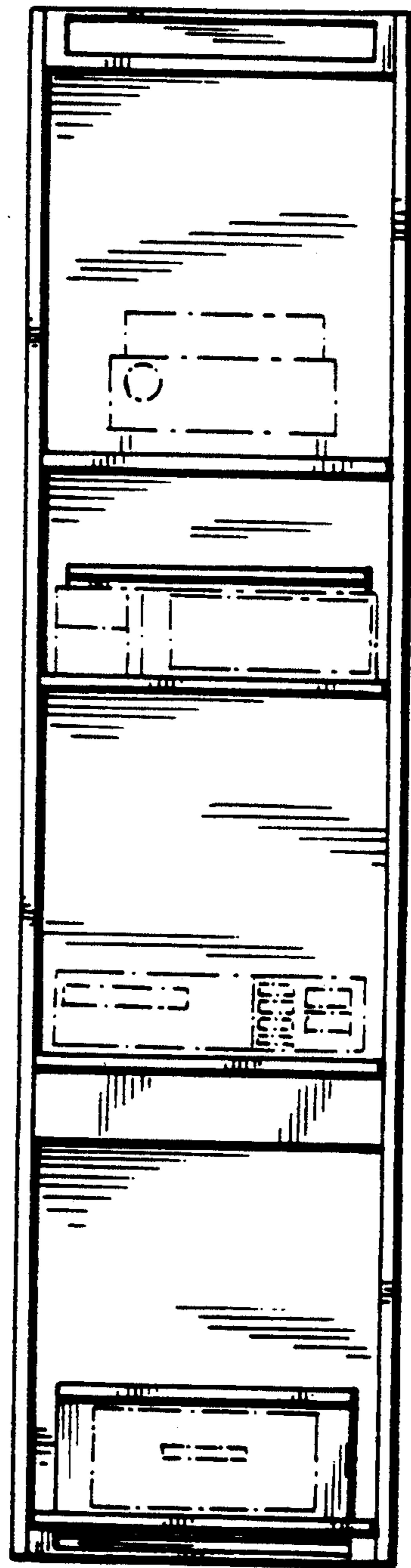


FIG. 1

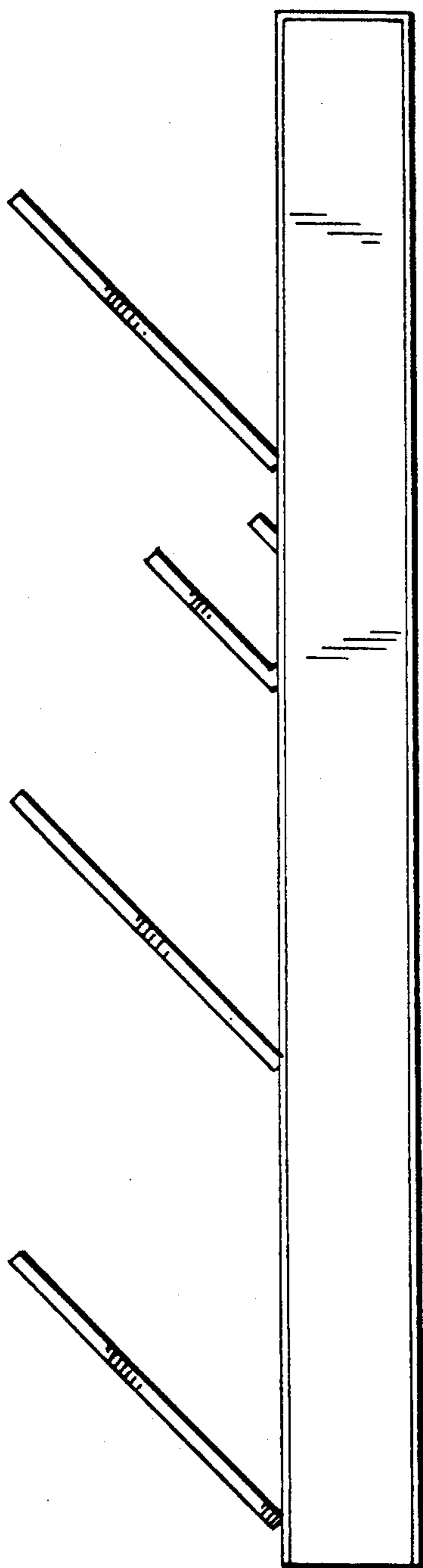


FIG. 3

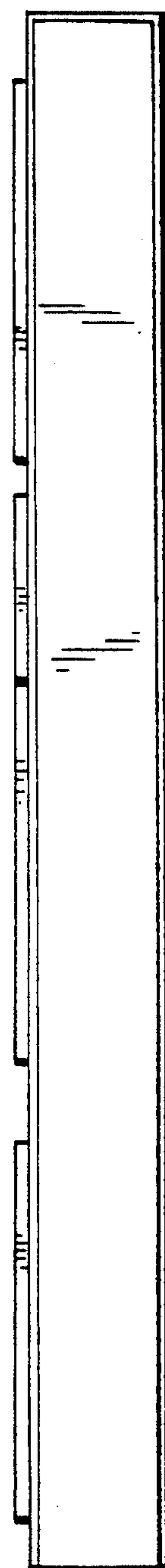


FIG. 4

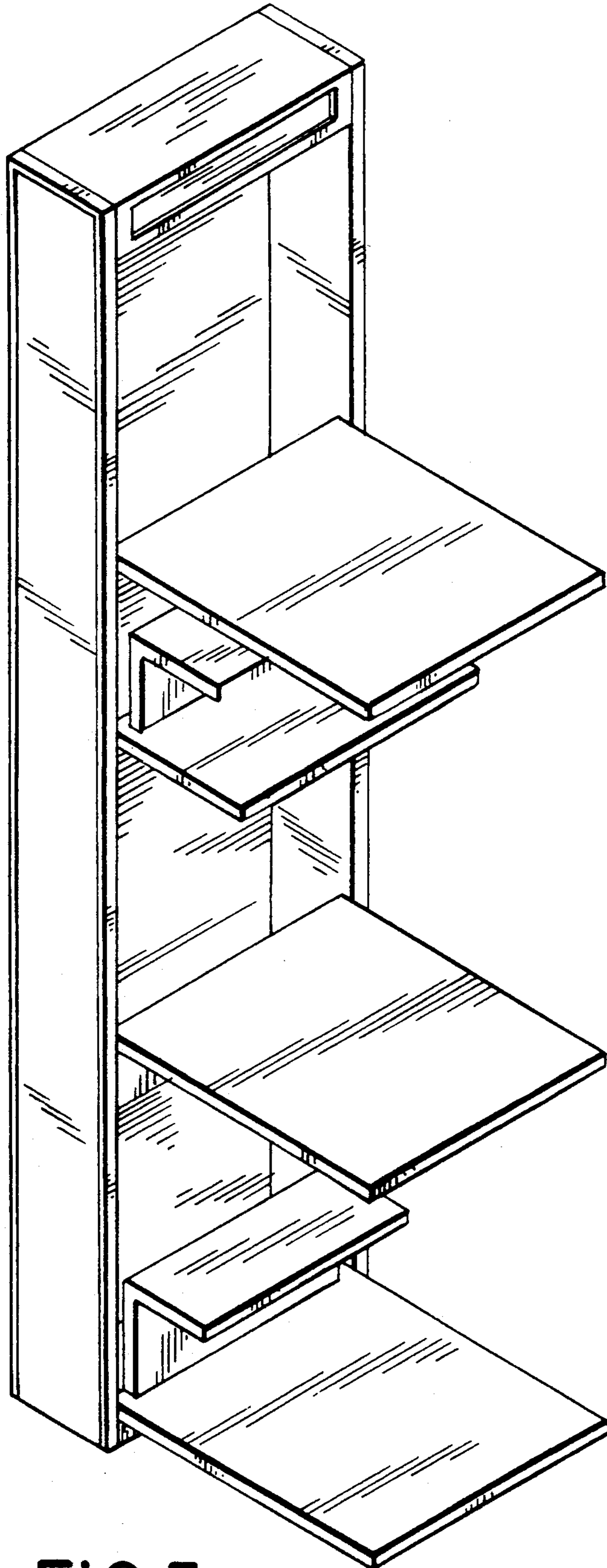


FIG.5