



US00D336721S

United States Patent [19]

[11] Patent Number: **Des. 336,721**

Froidevaux

[45] Date of Patent: **** Jun. 22, 1993**

[54] **WALL MOUNTED MAGNIFYING MIRROR**

2,091,203 8/1937 Hay 248/467
4,067,535 1/1978 Rose 248/471

[75] Inventor: **Jean-Marie Froidevaux**, Carouge, Switzerland

FOREIGN PATENT DOCUMENTS

[73] Assignee: **Aliseo Diffusion S.A.**, Switzerland

373652 1/1964 Switzerland 248/467

[**] Term: **14 Years**

Primary Examiner—Bernard Ansher
Assistant Examiner—Adir Aronovich
Attorney, Agent, or Firm—Davis, Bujold & Streck

[21] Appl. No.: **518,201**

[22] Filed: **May 3, 1990**

[57] CLAIM

[30] Foreign Application Priority Data

The ornamental design for all wall mounted magnifying mirror, as shown.

Nov. 10, 1989 [IB] Int'l Pat. Institute DM/015 021

[52] U.S. Cl. **D6/300**

DESCRIPTION

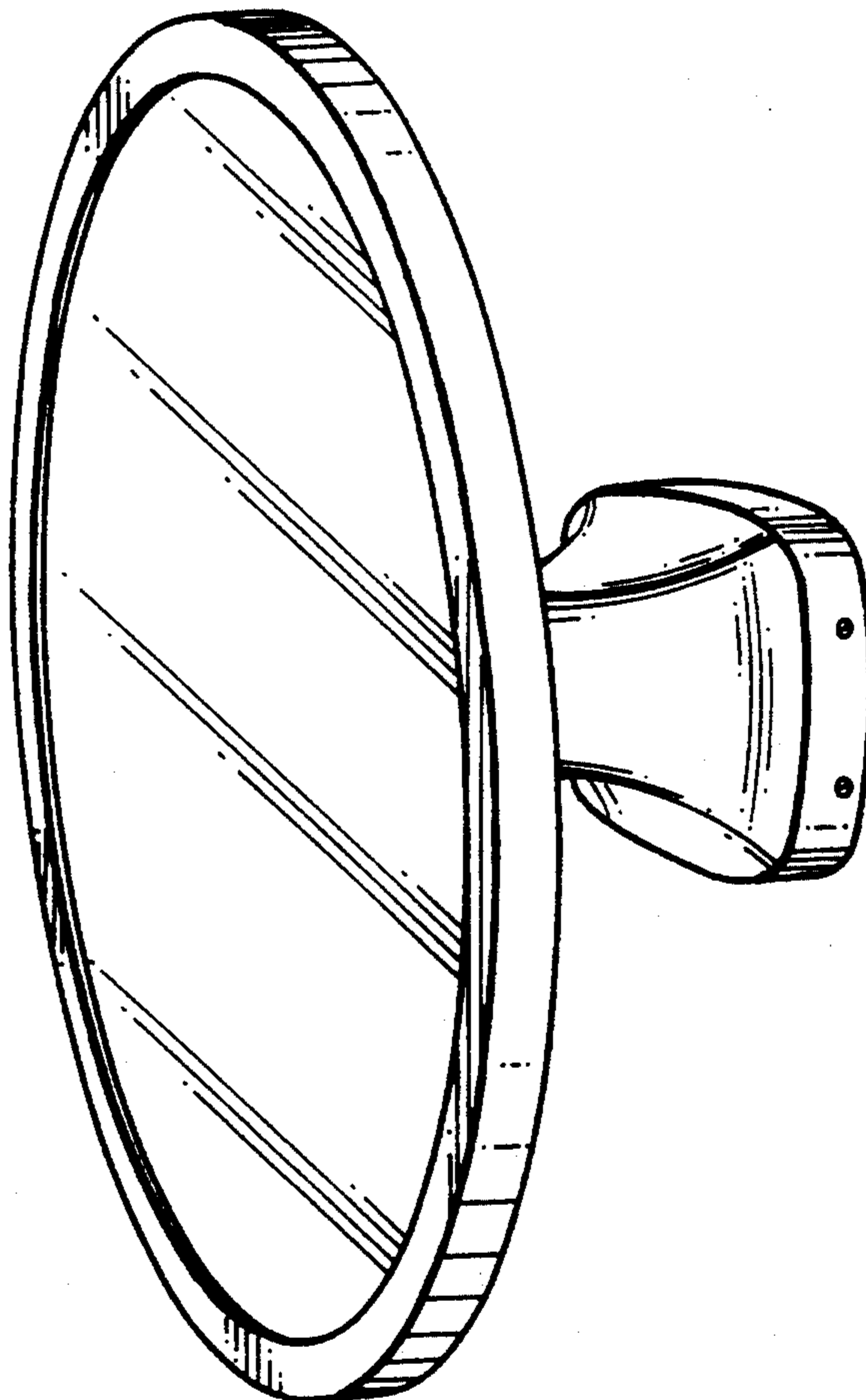
[58] Field of Search D6/300-303,
D6/308, 309, 312, 536; D28/64.1-64.7;
248/467, 471, 475.1; 359/871; 362/135, 142

FIG. 1 is a perspective view of a wall mounted magnifying mirror embodying my new design;
FIG. 2 is a bottom plan view thereof;
FIG. 3 is a front elevational view thereof;
FIG. 4 is a top plan view thereof;
FIG. 5 is a left side elevational view thereof;
FIG. 6 is a rear elevational view thereof; and,
FIG. 7 is a right side elevational view thereof.

[56] References Cited

U.S. PATENT DOCUMENTS

D. 225,585 12/1972 Stahl D28/64.3
D. 292,043 9/1987 Billiet D6/300



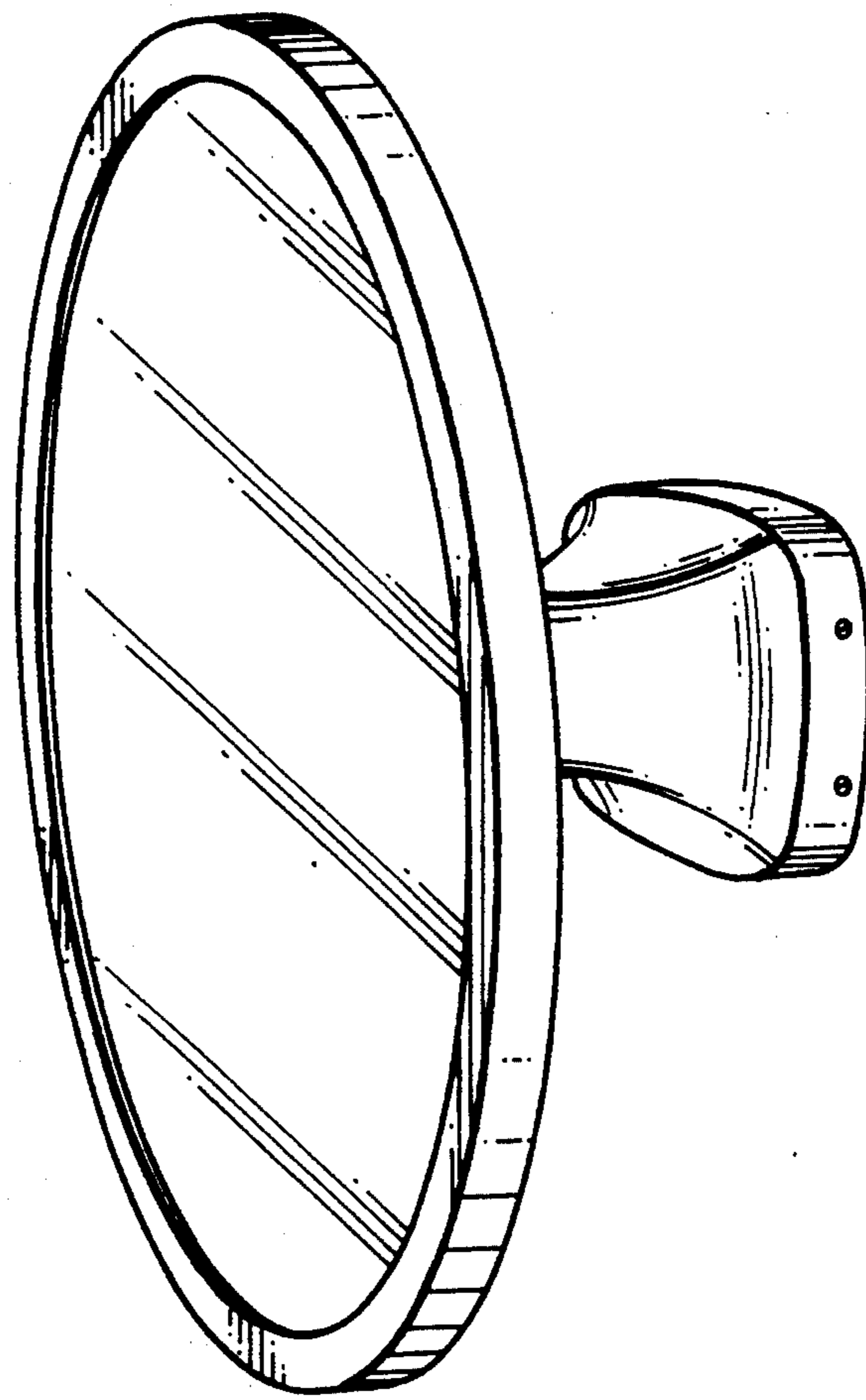


FIG. 1

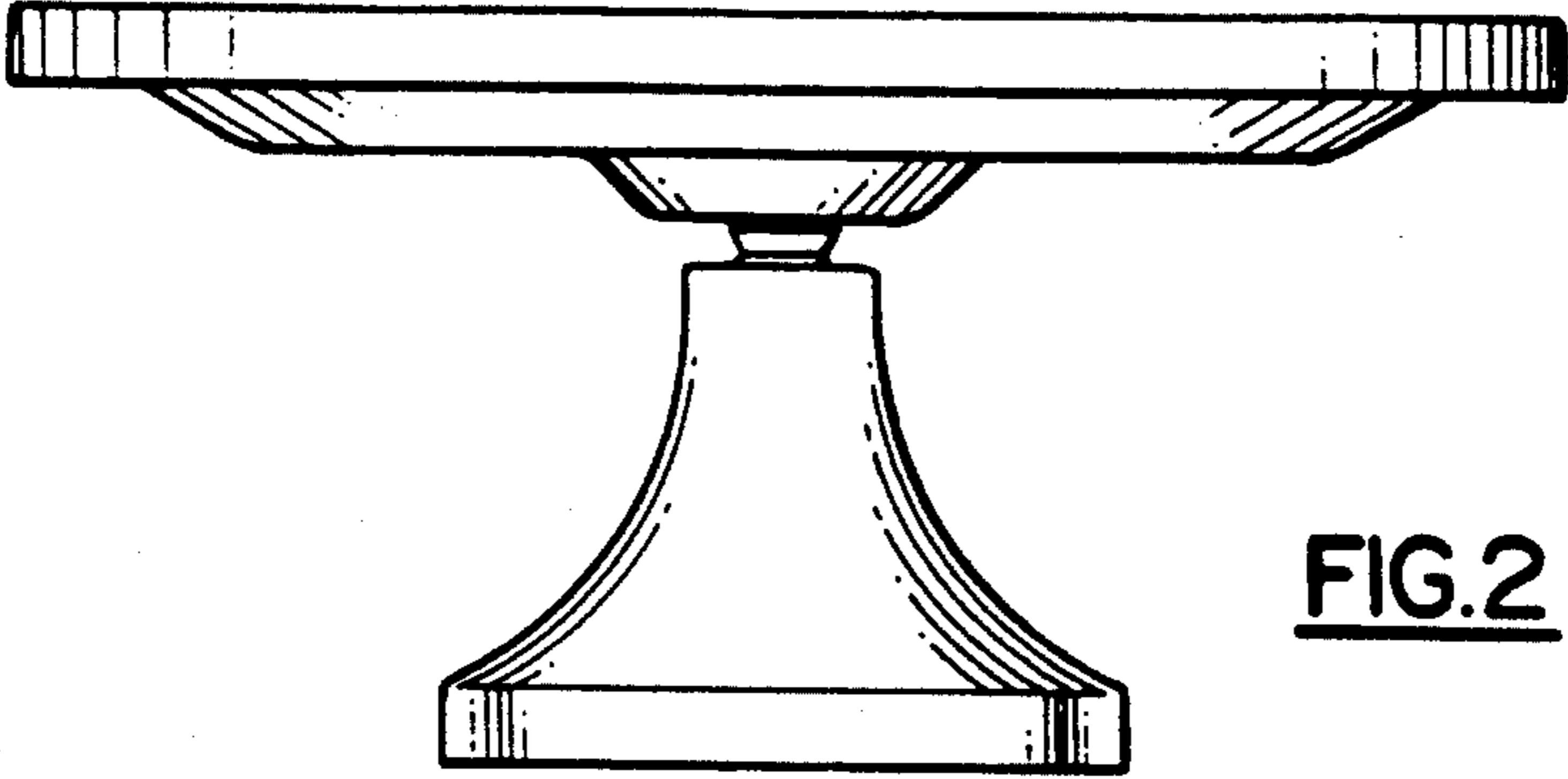


FIG. 2

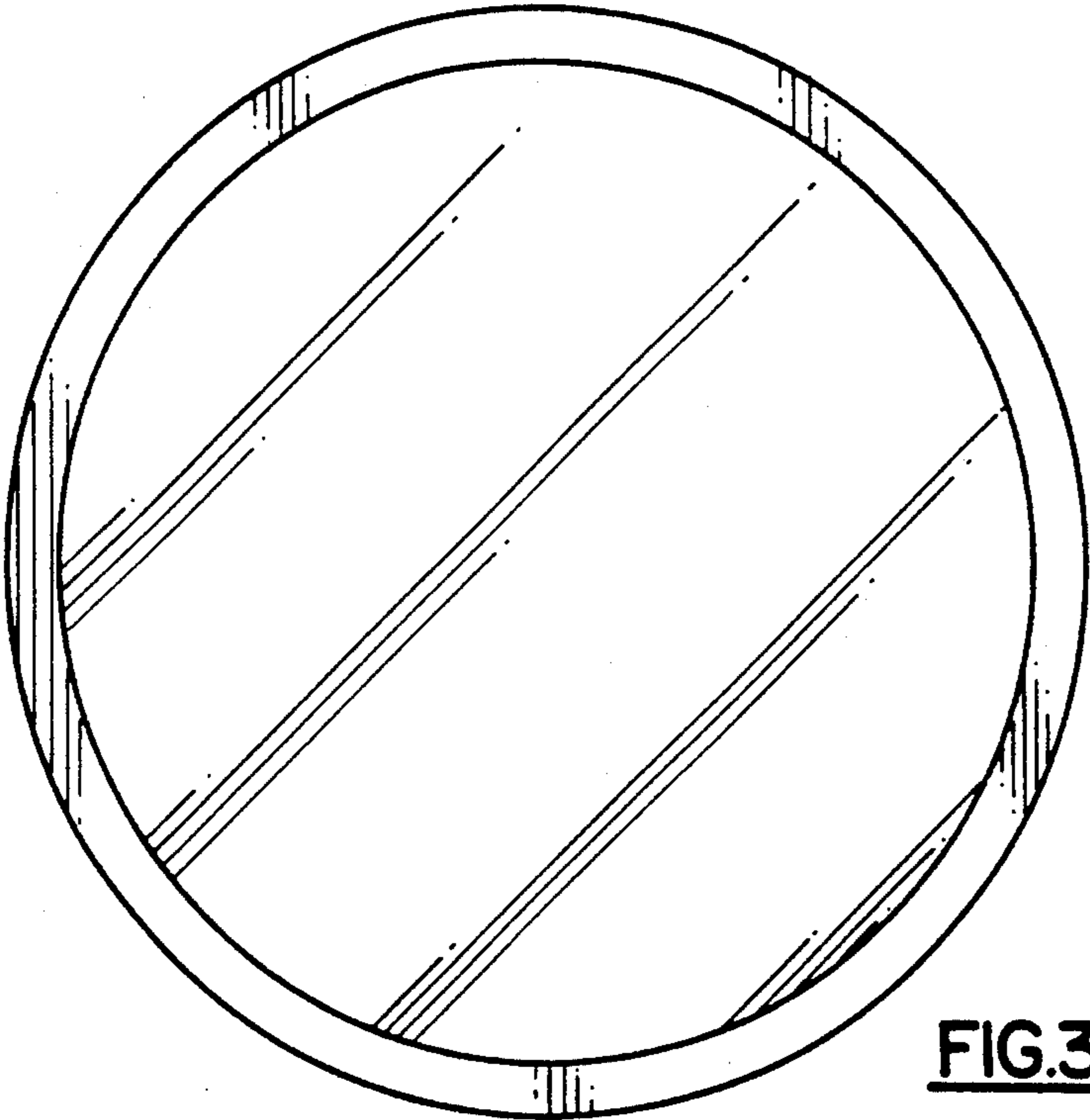


FIG. 3

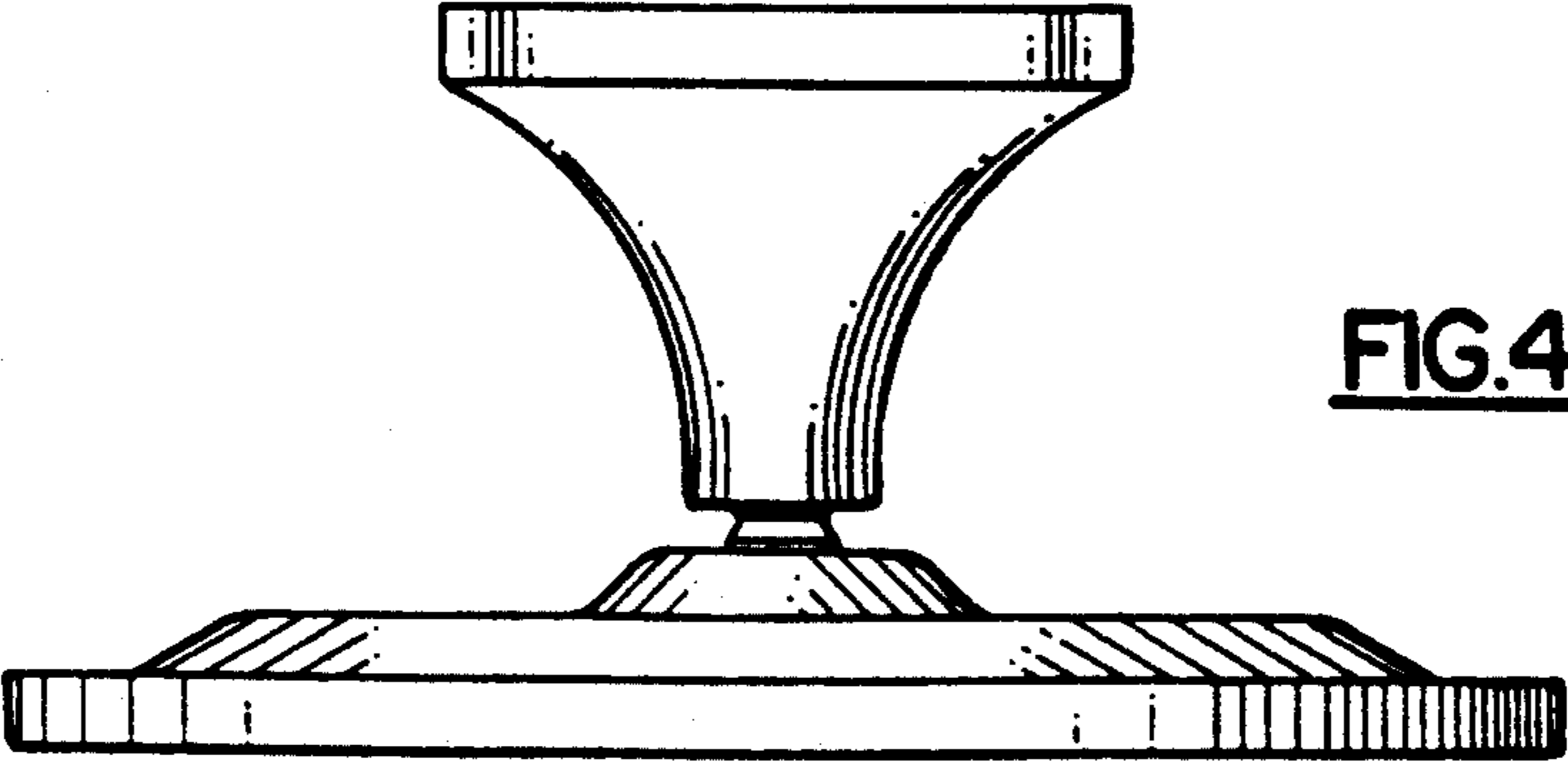


FIG. 4

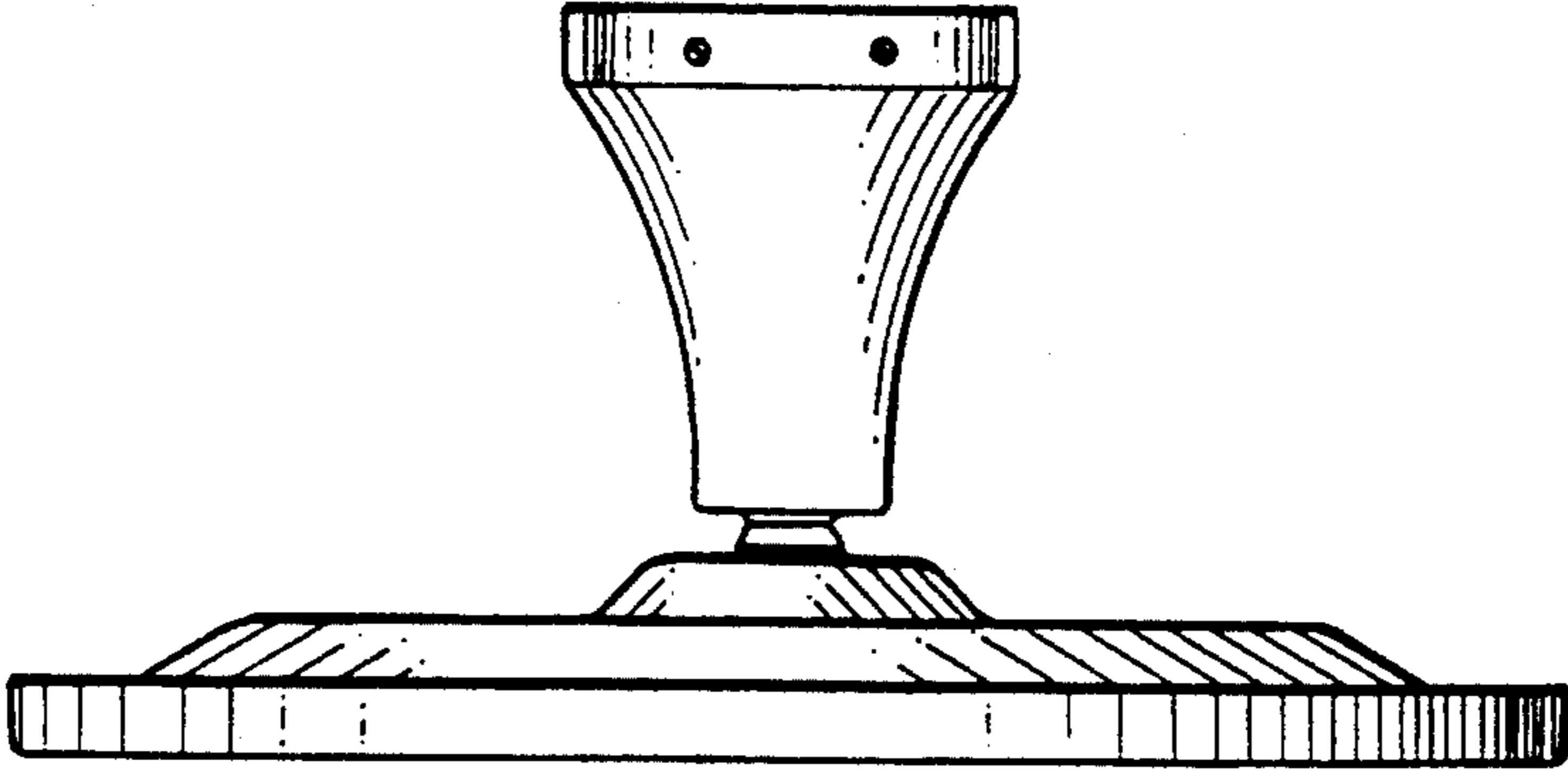


FIG. 7

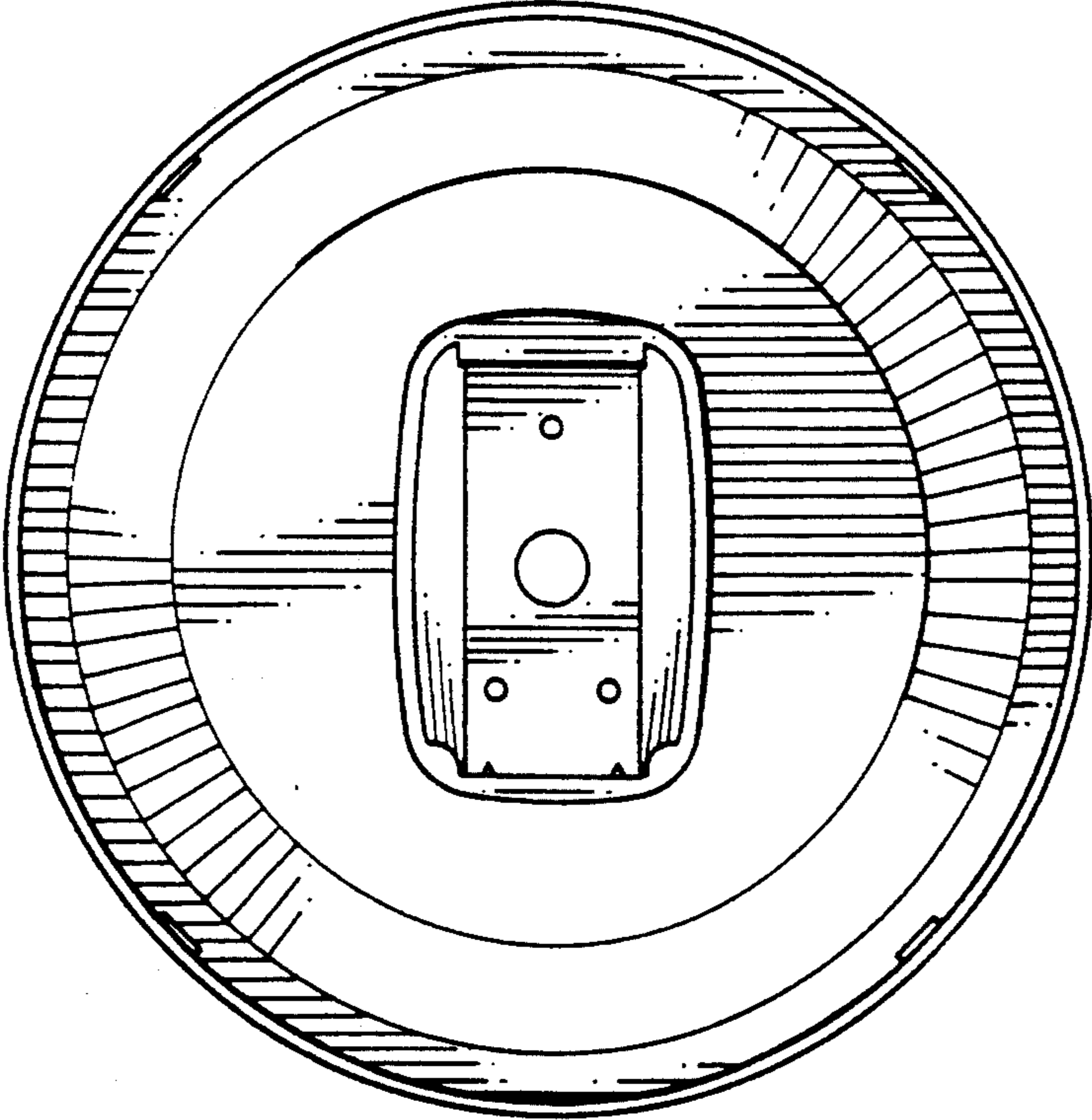


FIG. 6

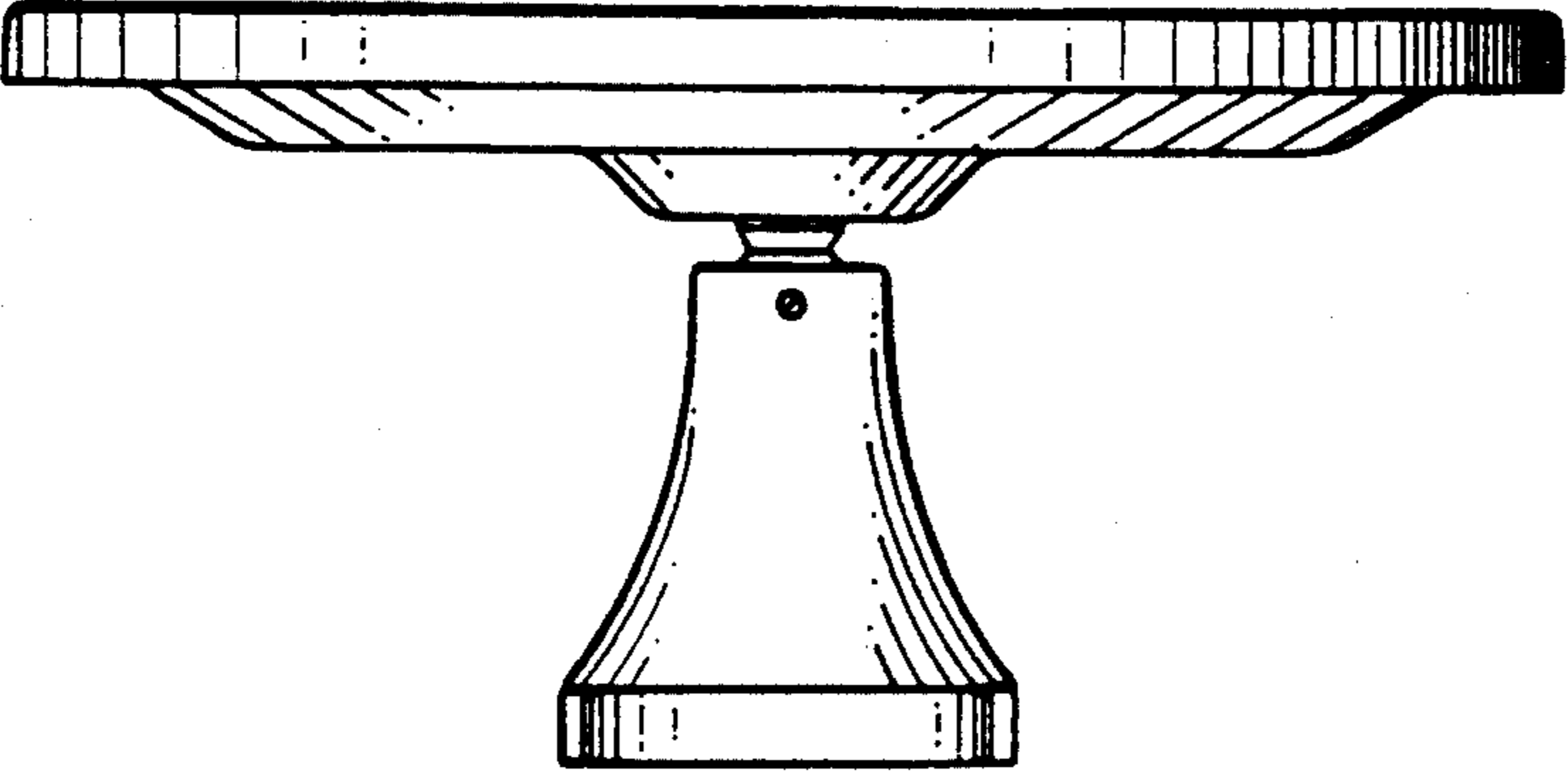


FIG. 5