



US00D336715S

United States Patent [19]
Gora et al.

[11] **Patent Number: Des. 336,715**
[45] **Date of Patent: ** Jun. 22, 1993**

[54] **CONTAINER**

[75] **Inventors:** Paul R. Gora; Nicholas J. Jelich, both of Oconomowoc; Todd E. Taylor, Watertown; Randall H. Hafemeister, Ixonia; Edward M. Kaucic, Watertown, all of Wis.

[73] **Assignee:** Menasha Corporation, Neenah, Wis.

[**] **Term:** 14 Years

[21] **Appl. No.:** 661,085

[22] **Filed:** Feb. 22, 1991

[52] **U.S. Cl.** D34/40

[58] **Field of Search** D34/40-46;
D9/424, 425; 206/503, 504, 505, 512, 557, 427,
429, 199, 203; 220/23.6, 668, 669, 675, 1.5, 661,
676, 475

[56] **References Cited**

U.S. PATENT DOCUMENTS

D. 241,719	10/1976	Owen et al.	D34/43
D. 242,660	12/1976	Astle	D34/40
D. 246,287	11/1977	Tietz	D34/45
D. 255,656	7/1980	Stauble	D34/40
2,634,020	4/1953	Bartholomew .	
2,908,985	10/1959	Hartman .	
3,074,547	1/1963	Leukoff et al.	220/676 X
3,392,877	7/1968	Sanders	D34/40 X
4,194,626	3/1980	Boller	206/503 X
4,362,244	12/1982	Cornou .	
4,744,162	5/1988	Okazaki .	

OTHER PUBLICATIONS

Pp. 29, 31, 33, 37, 38, 50 and 101 of a 1984-1985 Sanko Company catalog.

Primary Examiner—Bernard Ansher
Assistant Examiner—Prabhakar Deshmukh
Attorney, Agent, or Firm—Quarles & Brady

[57] **CLAIM**

The ornamental design for a container, as shown and described.

DESCRIPTION

FIG. 1 is a top perspective view of a container showing our new design;
 FIG. 2 is a top plan view thereof;
 FIG. 3 is a bottom plan view thereof;
 FIG. 4 is a right end elevational view thereof, the left end elevational view thereof, the left end elevational view being identical thereto;
 FIG. 5 is a front side elevational view thereof, the back side elevational view being identical thereto;
 FIG. 6 is a top perspective view of a second embodiment, with the top and bottom views being identical to FIGS. 2 and 3, respectively;
 FIG. 7 is a right end elevational view thereof, the left end elevational view being identical thereto;
 FIG. 8 is a front side elevational view thereof, the back side elevational view being identical thereto;
 FIG. 9 is a top perspective view of a third embodiment, with the top and bottom views being identical to FIGS. 2 and 3, respectively;
 FIG. 10 is a right end elevational view thereof, the left end elevational view being identical thereto;
 FIG. 11 is a front side elevational view thereof, the back side elevational view being identical thereto;
 FIG. 12 is a view similar to the view of FIG. 1 of a fourth embodiment identical to the first except showing a cover thereon;
 FIG. 13 is a top perspective view of a fifth embodiment;
 FIG. 14 is a bottom plan view thereof;
 FIG. 15 is a right end elevational view thereof, the left end elevational view being identical thereto;
 FIG. 16 is a front side elevational view thereof, the back side elevational view being identical thereto;
 FIG. 17 is a top perspective view of a sixth embodiment, with the bottom view being identical to FIG. 14;
 FIG. 18 is a right end elevational view thereof, the left end elevational view being identical thereto;
 FIG. 19 is a front side elevational view thereof, the back side elevational view being identical thereto;
 FIG. 20 is a top perspective view of a seventh embodiment similar to the embodiment of FIG. 6 with the bottom view being identical to FIG. 3;
 FIG. 21 is a right end elevational view thereof, the left end elevational view being identical thereof; and,
 FIG. 22 is a front side elevational view thereof, the back side elevational view being identical thereto.
 The broken line representation of card holders in FIG. 1 is for the purpose of illustration only and form no part of the claim.

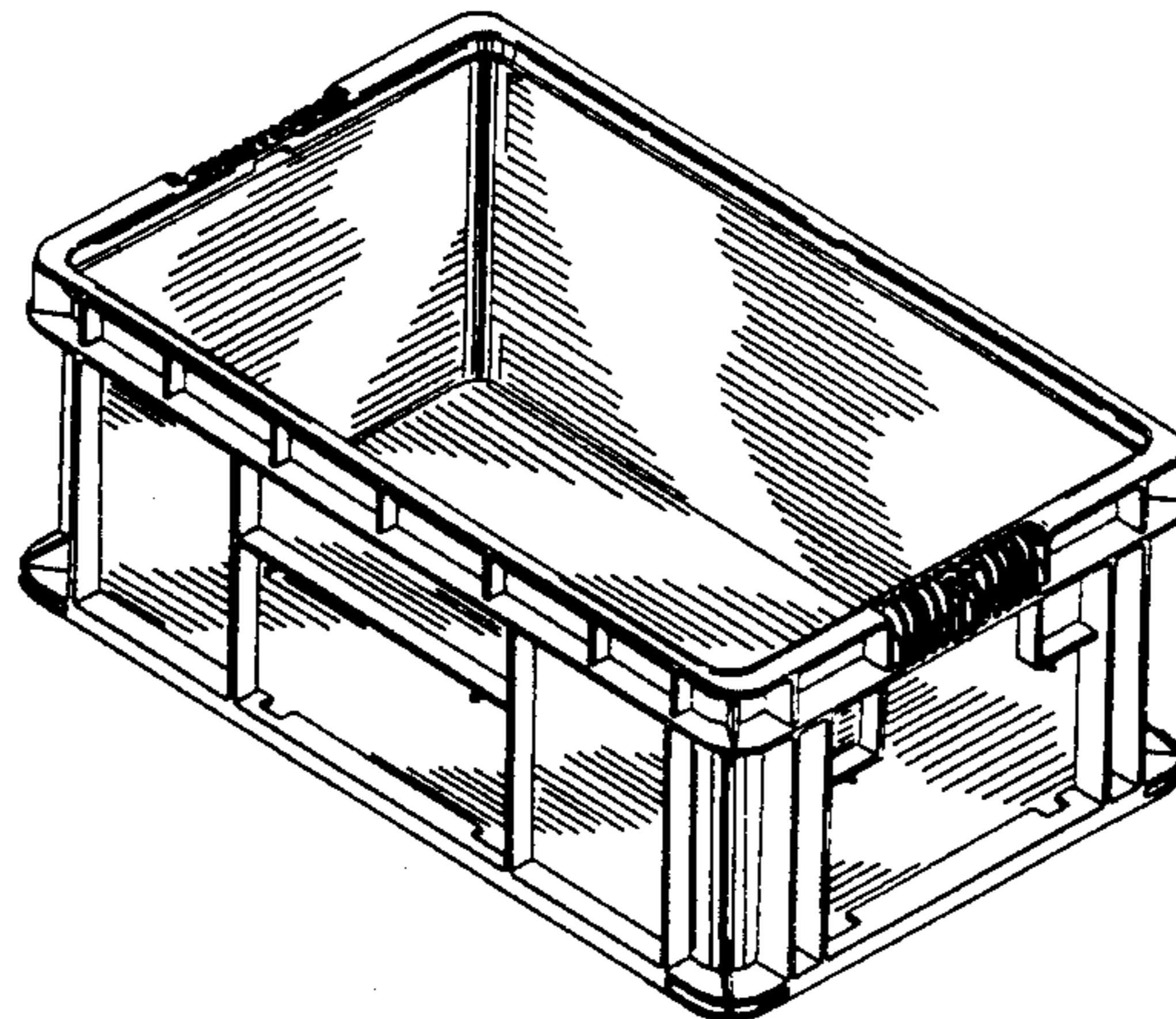


FIG. 1

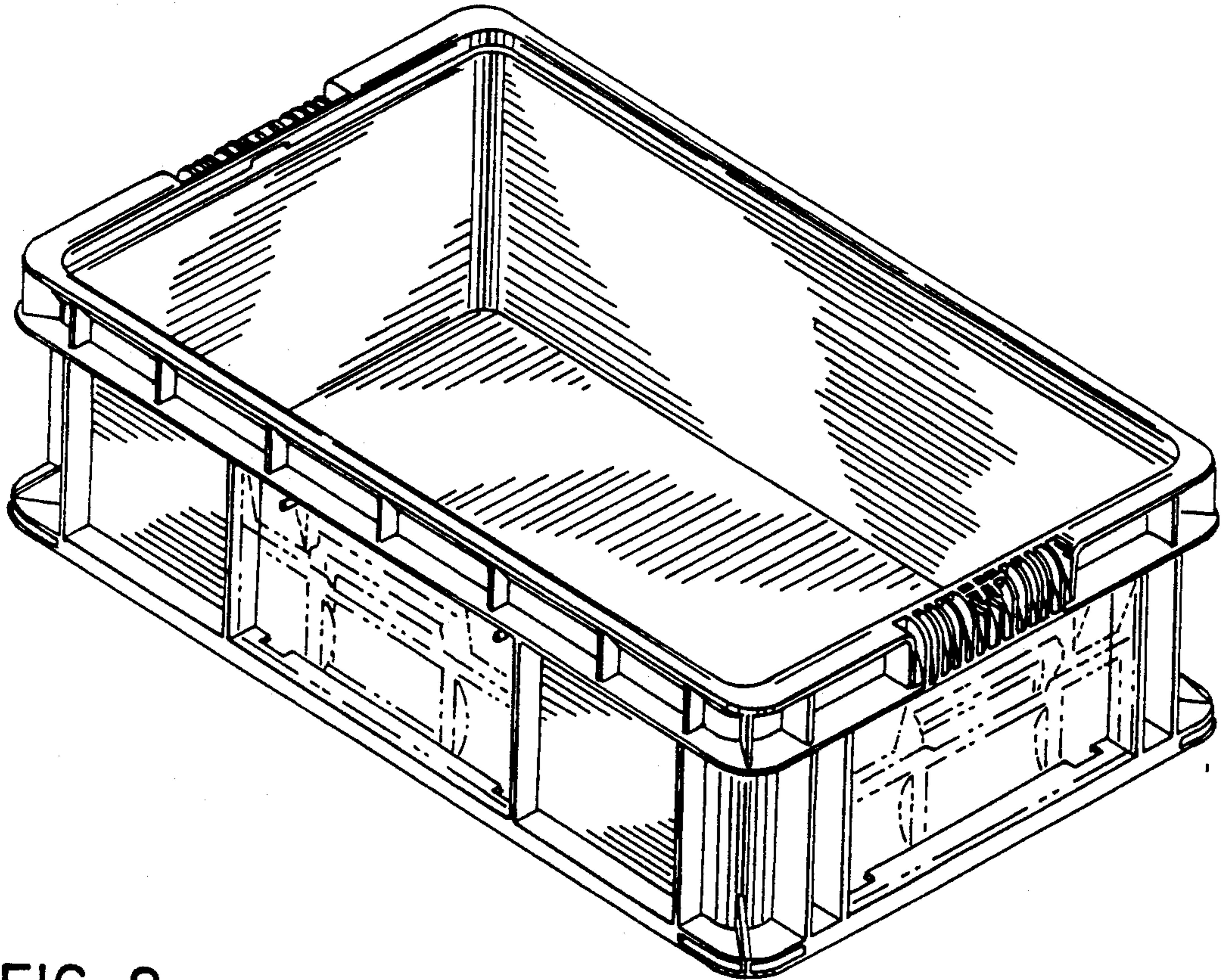
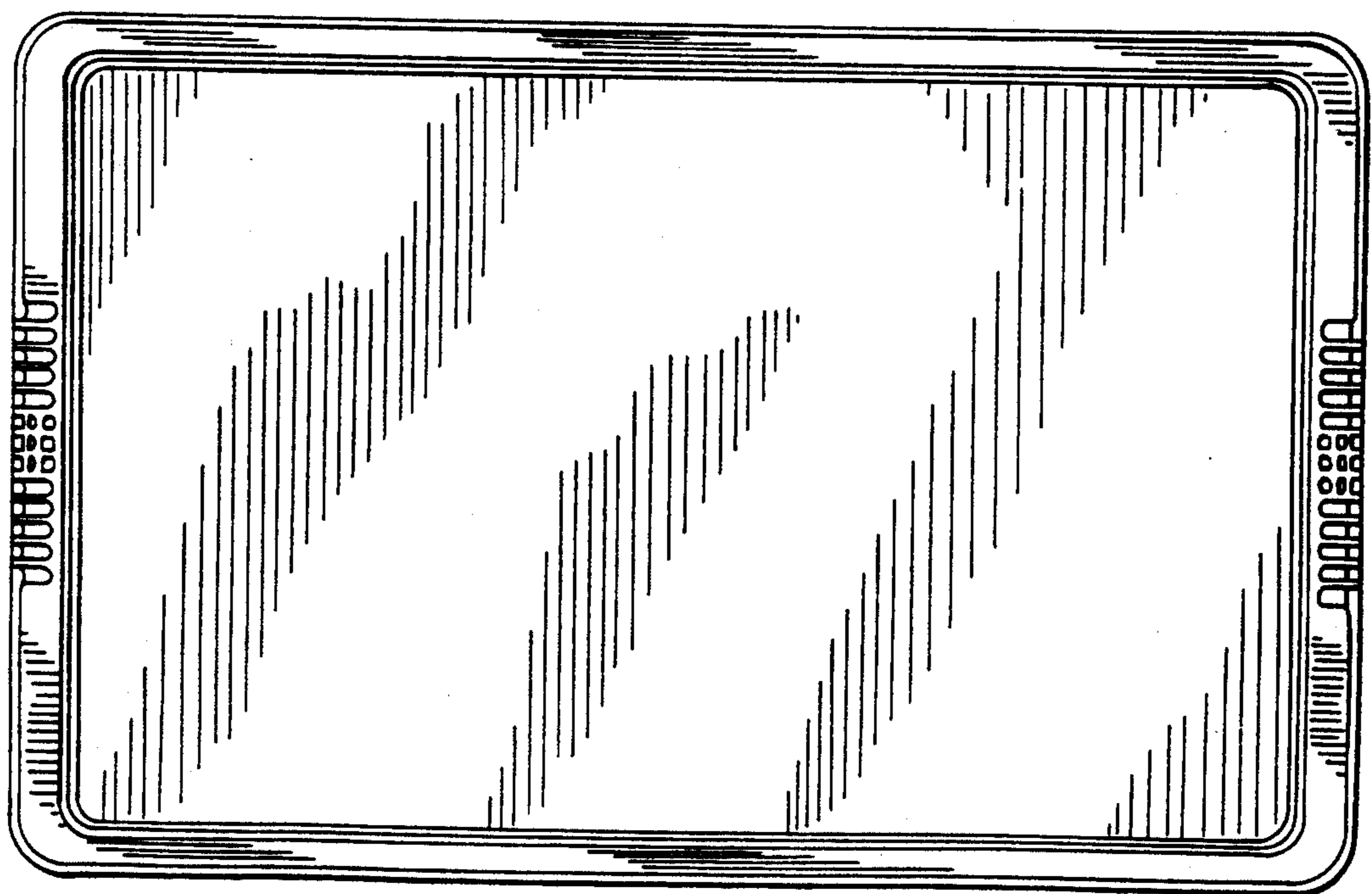


FIG. 2



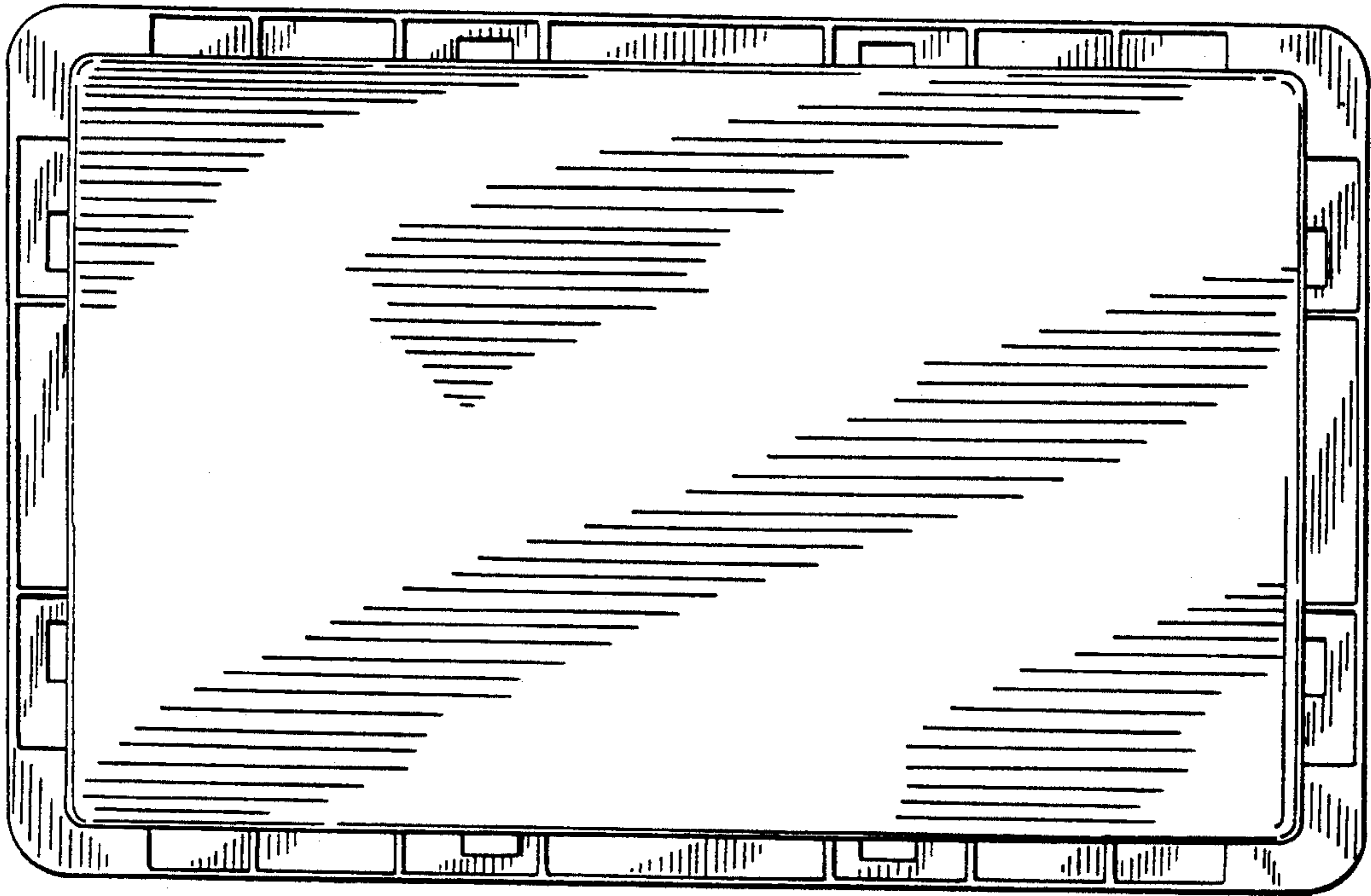


FIG. 3

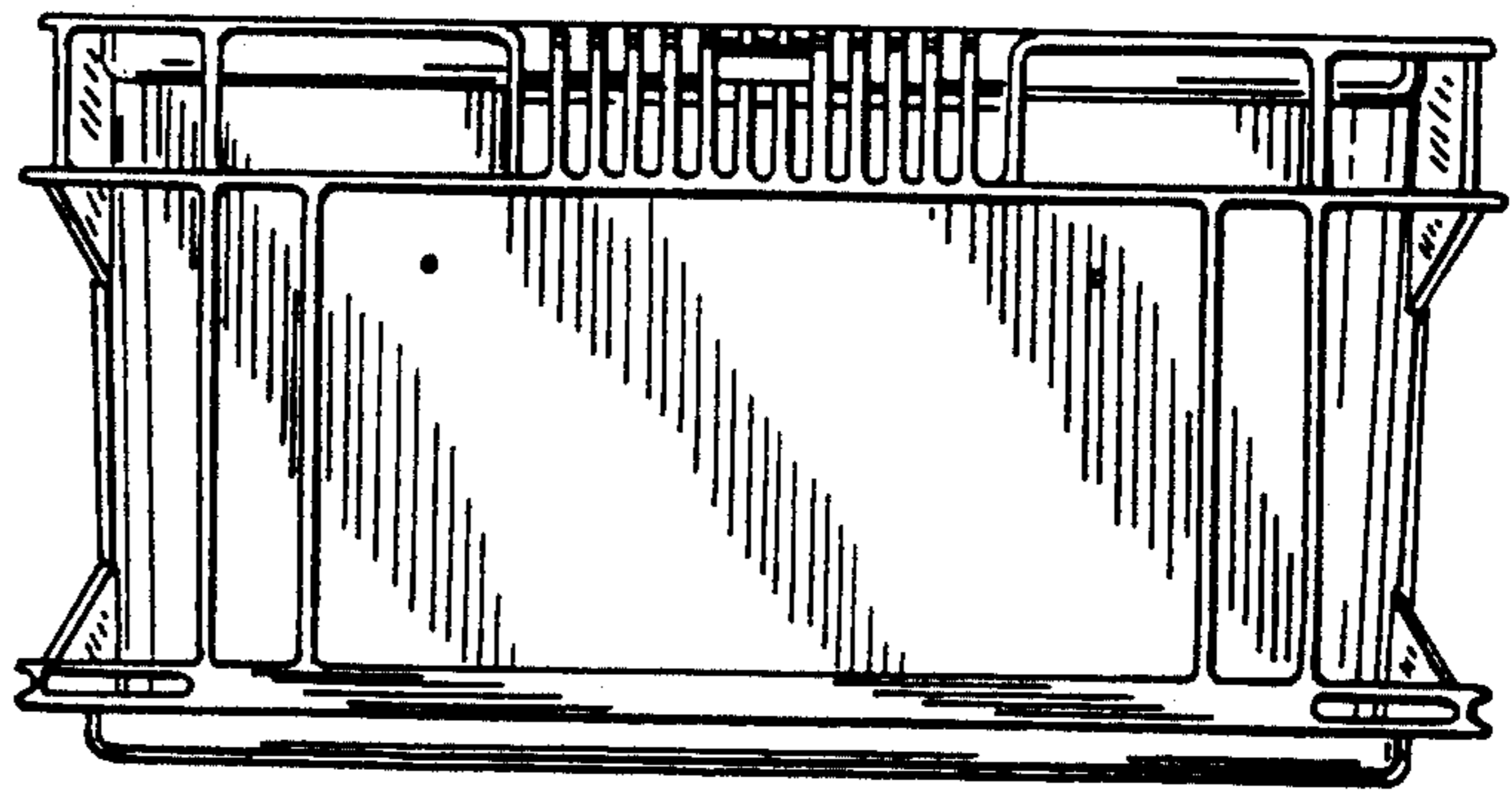
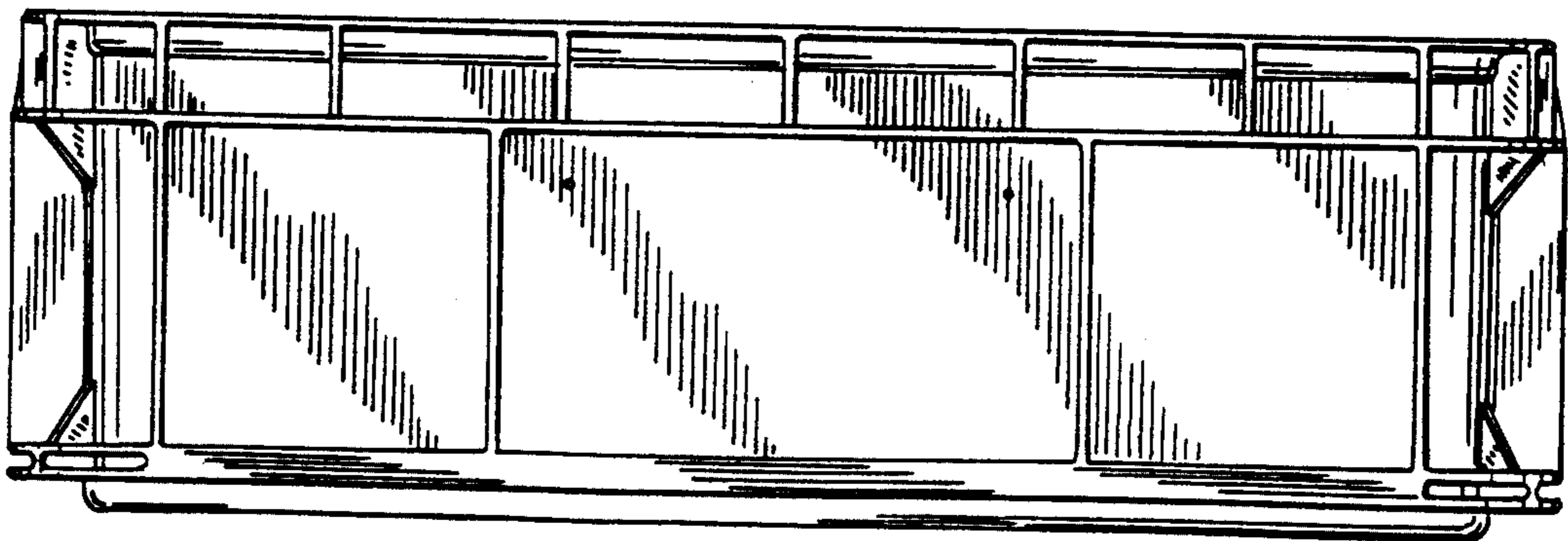


FIG. 4

FIG. 5



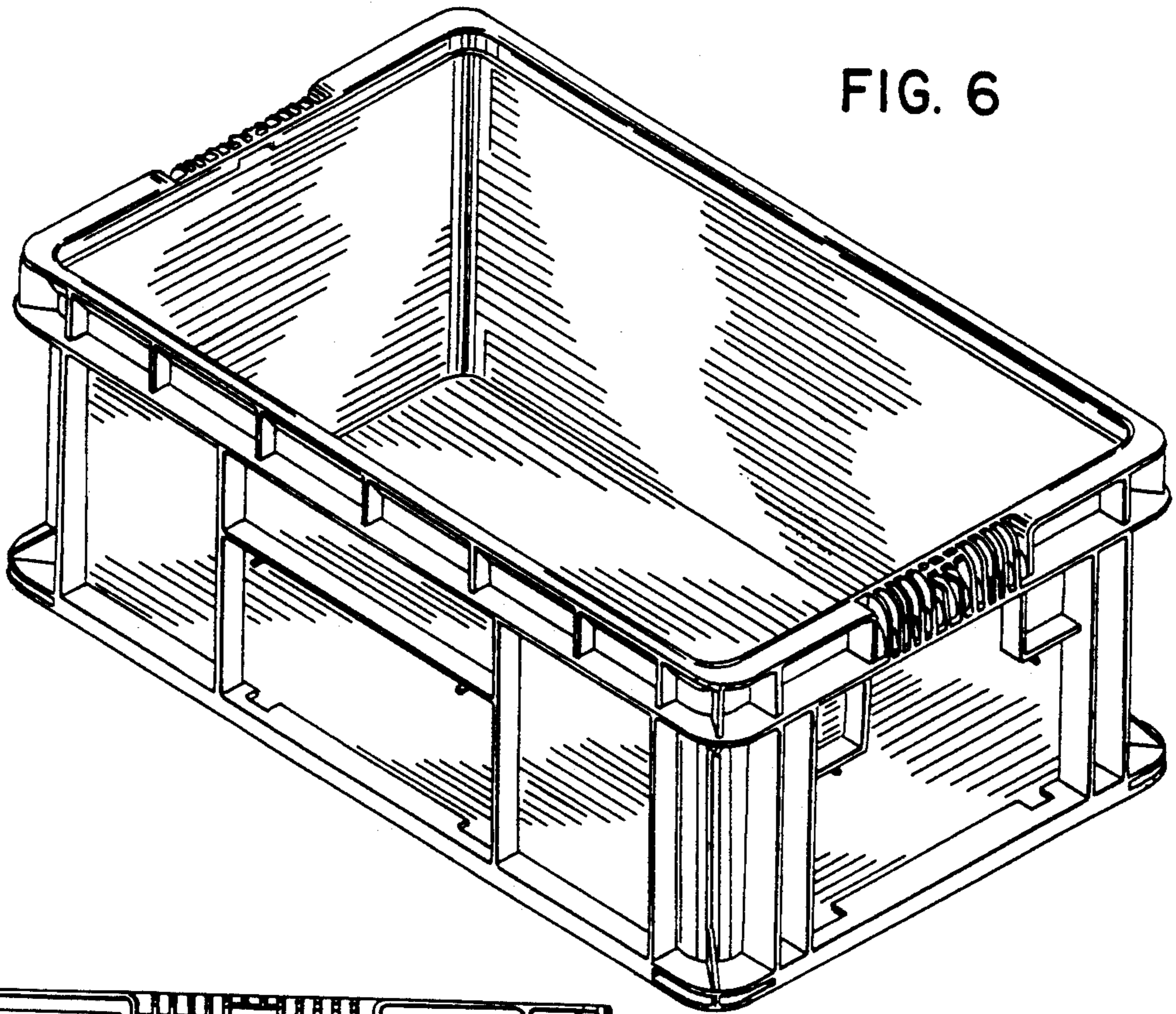


FIG. 6

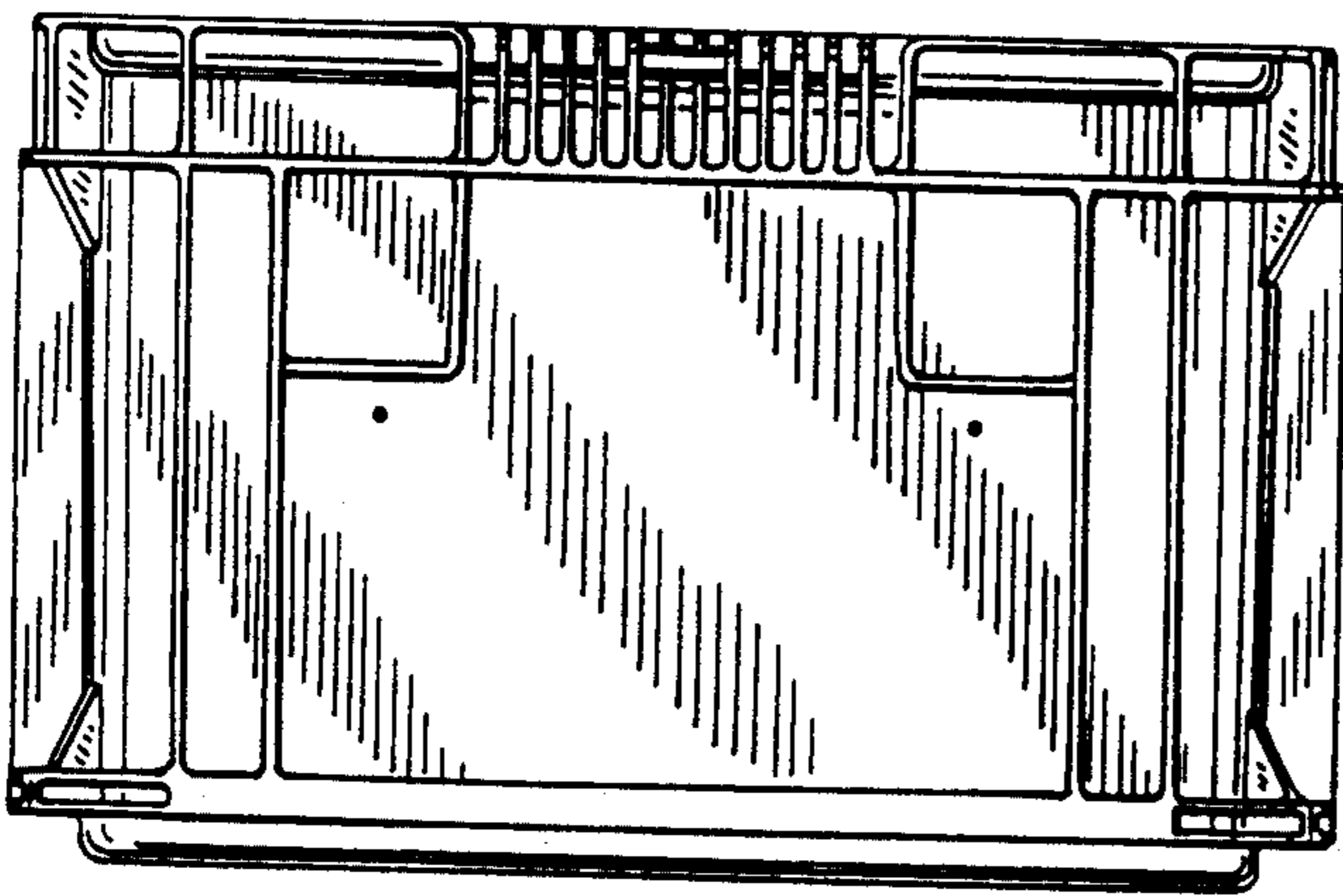


FIG. 7

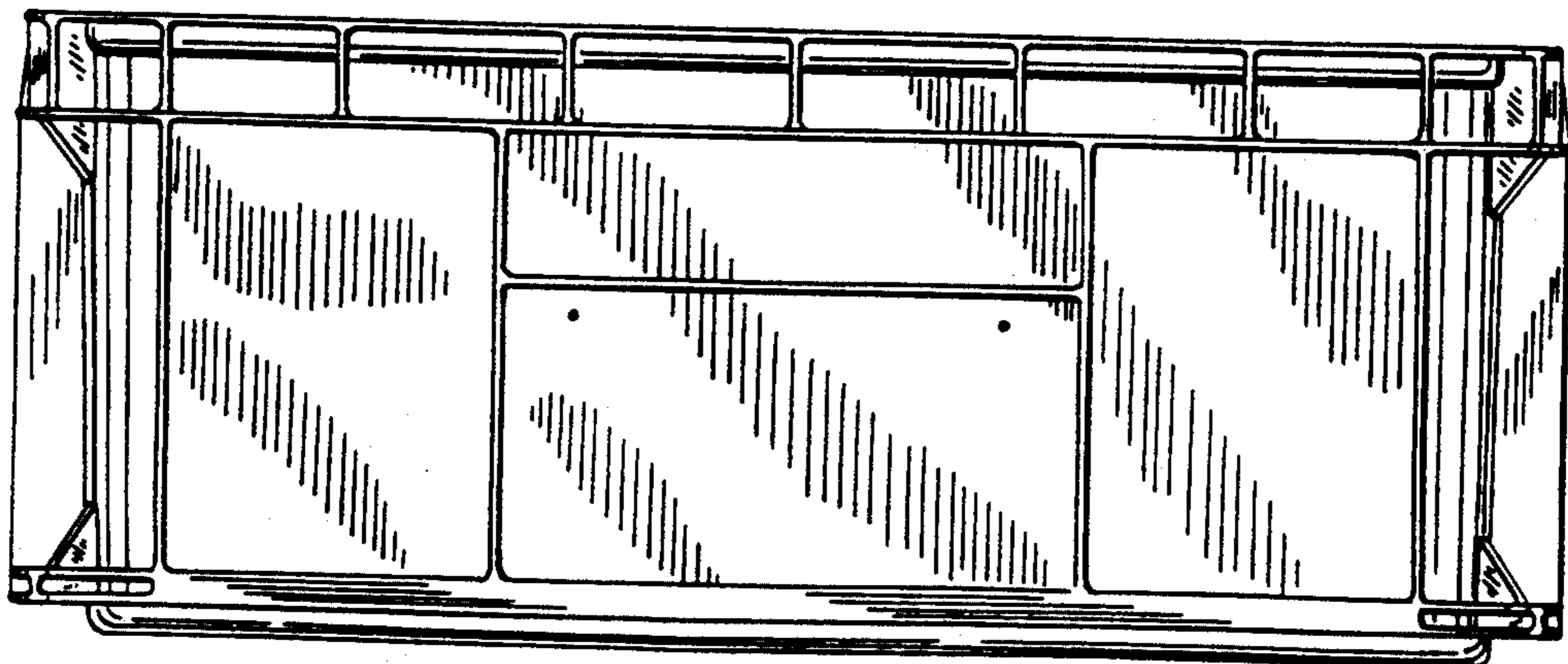


FIG. 8

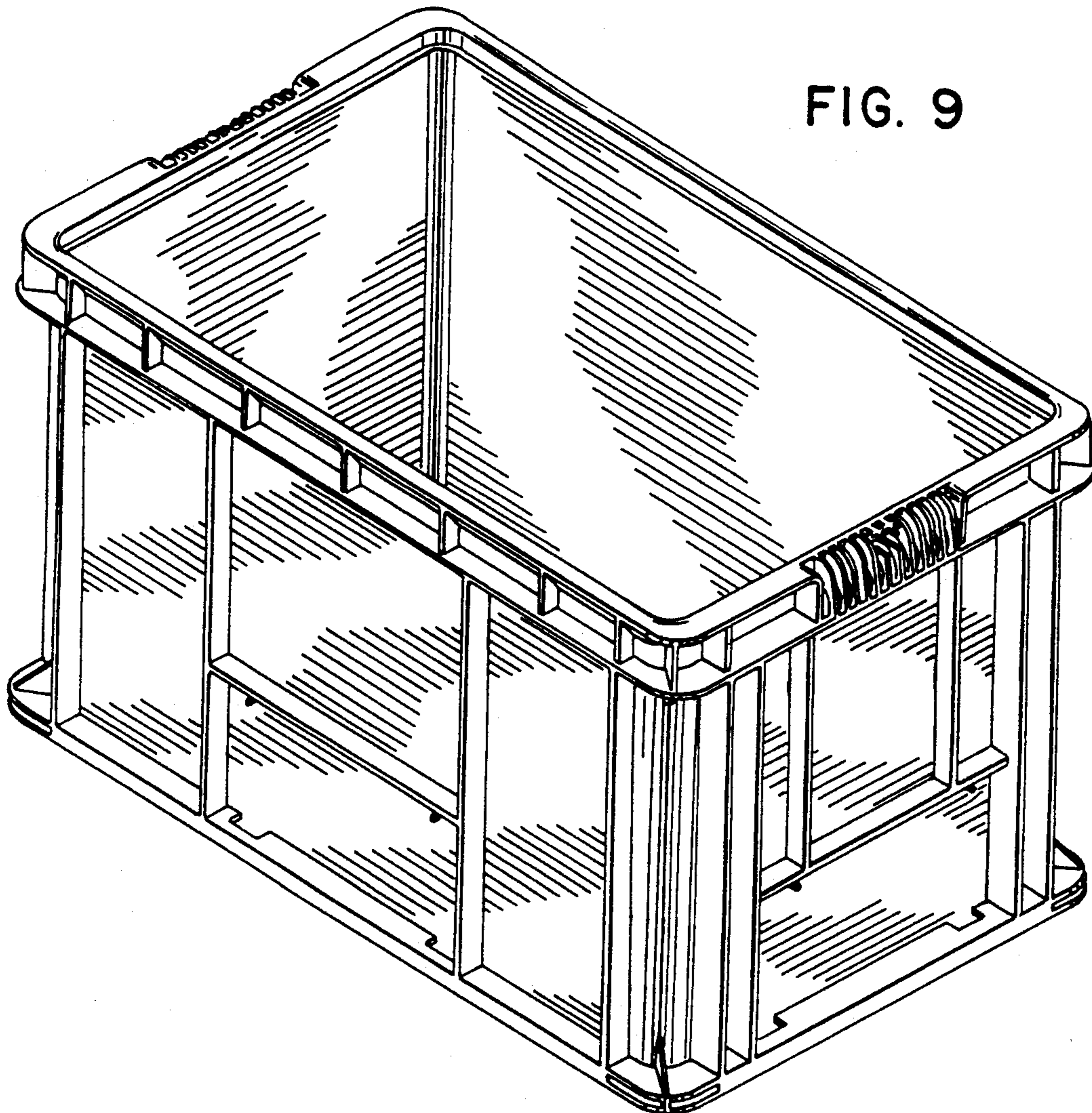


FIG. 9

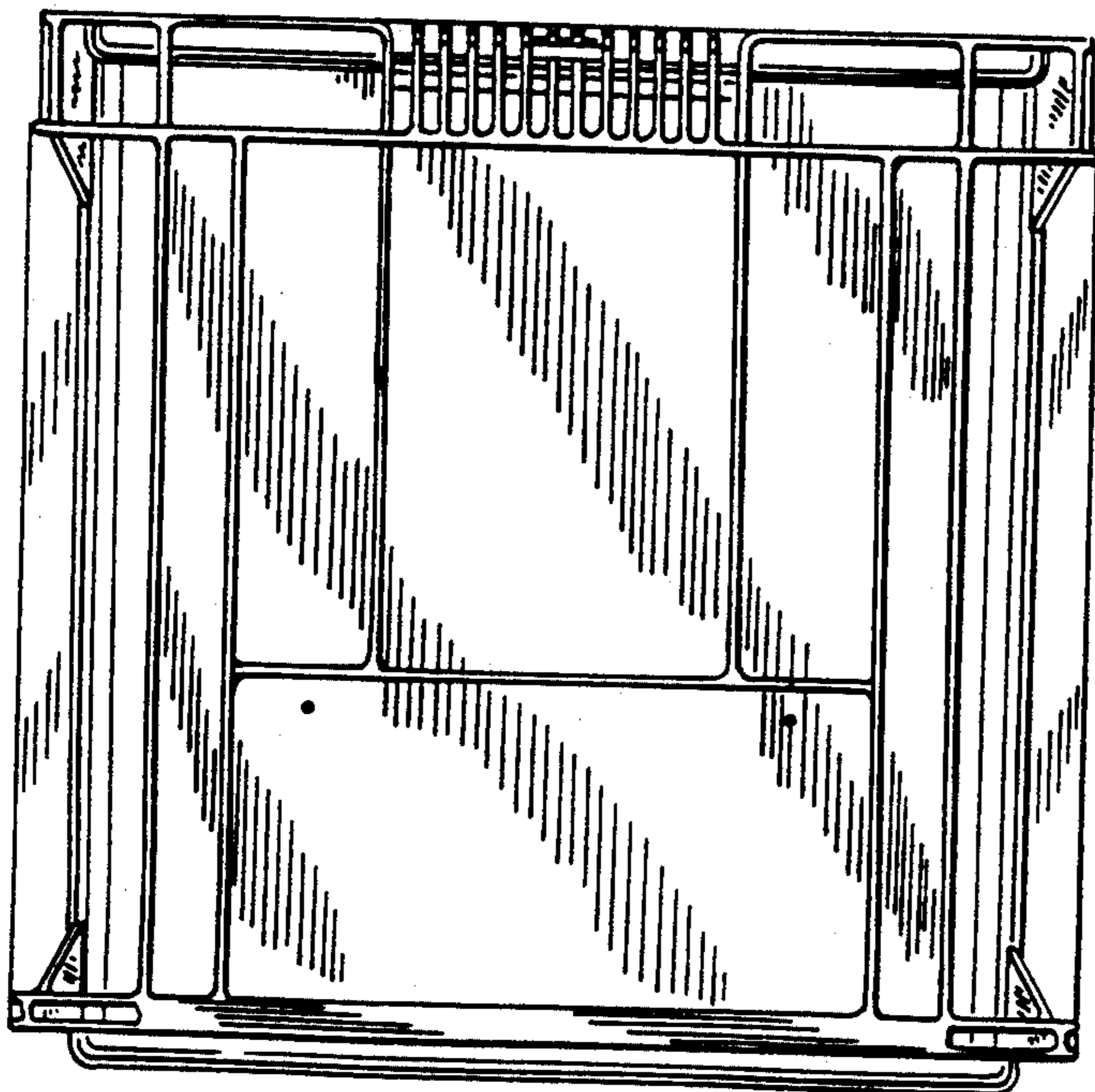


FIG. 10

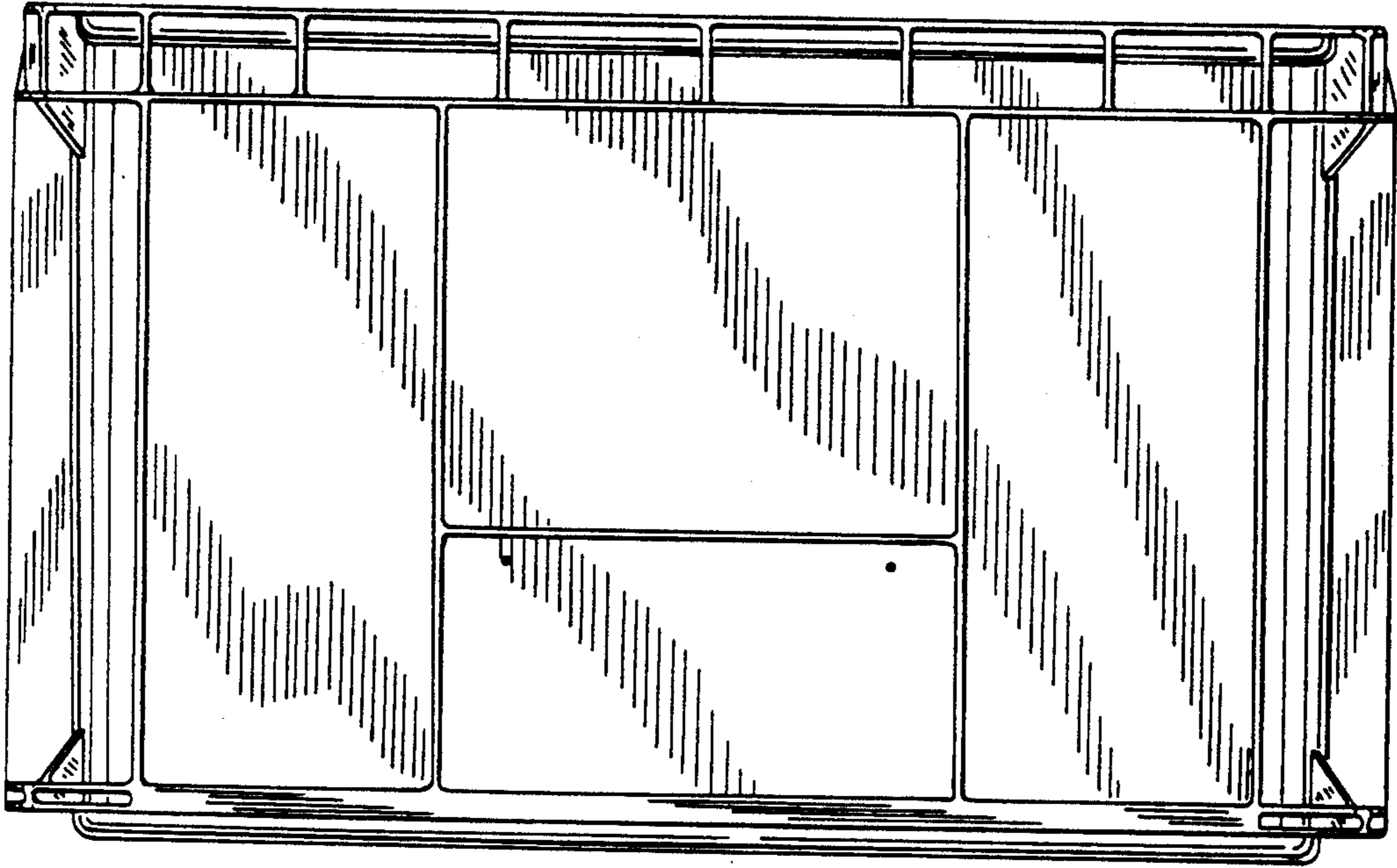


FIG. 11

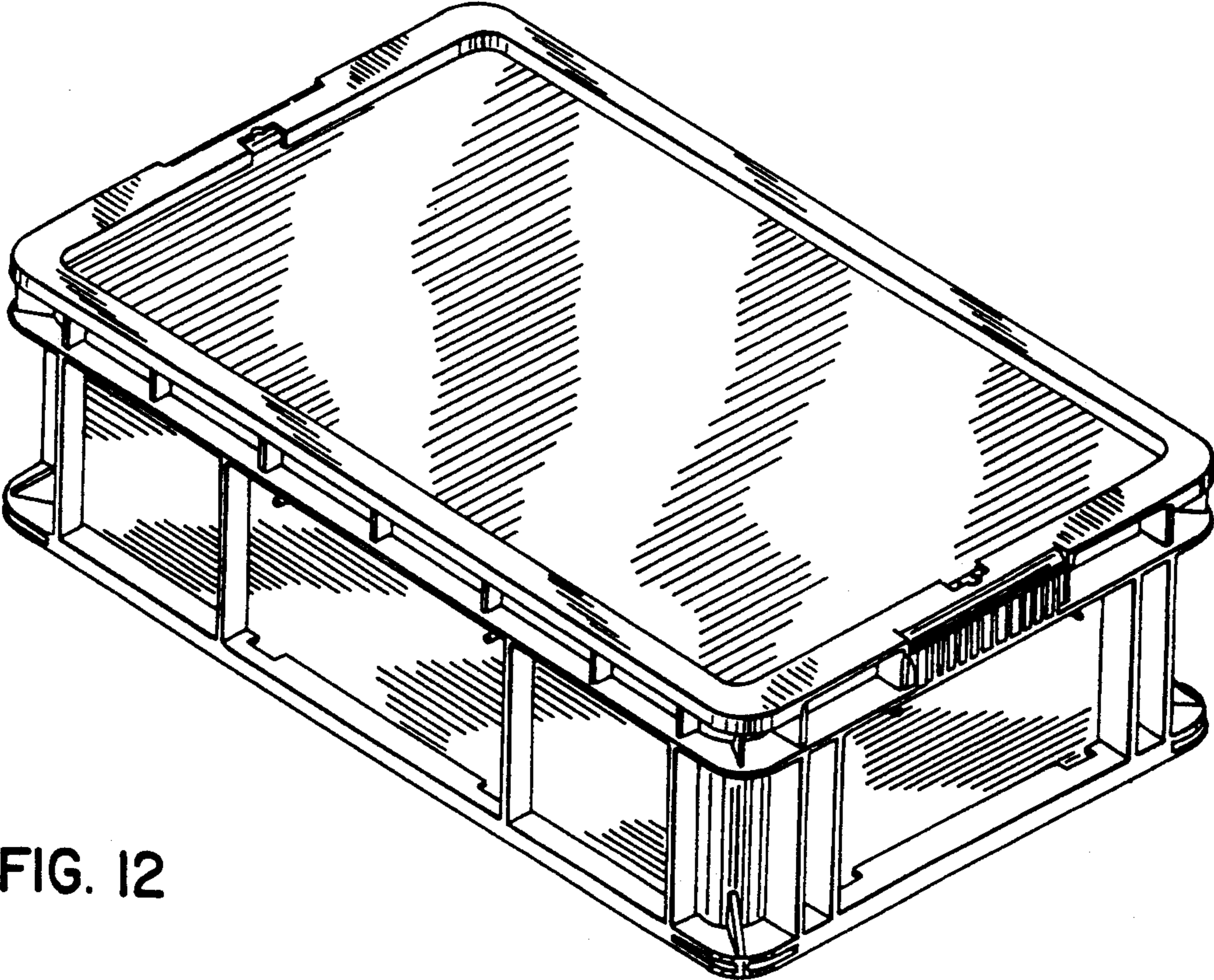


FIG. 12

FIG. 13

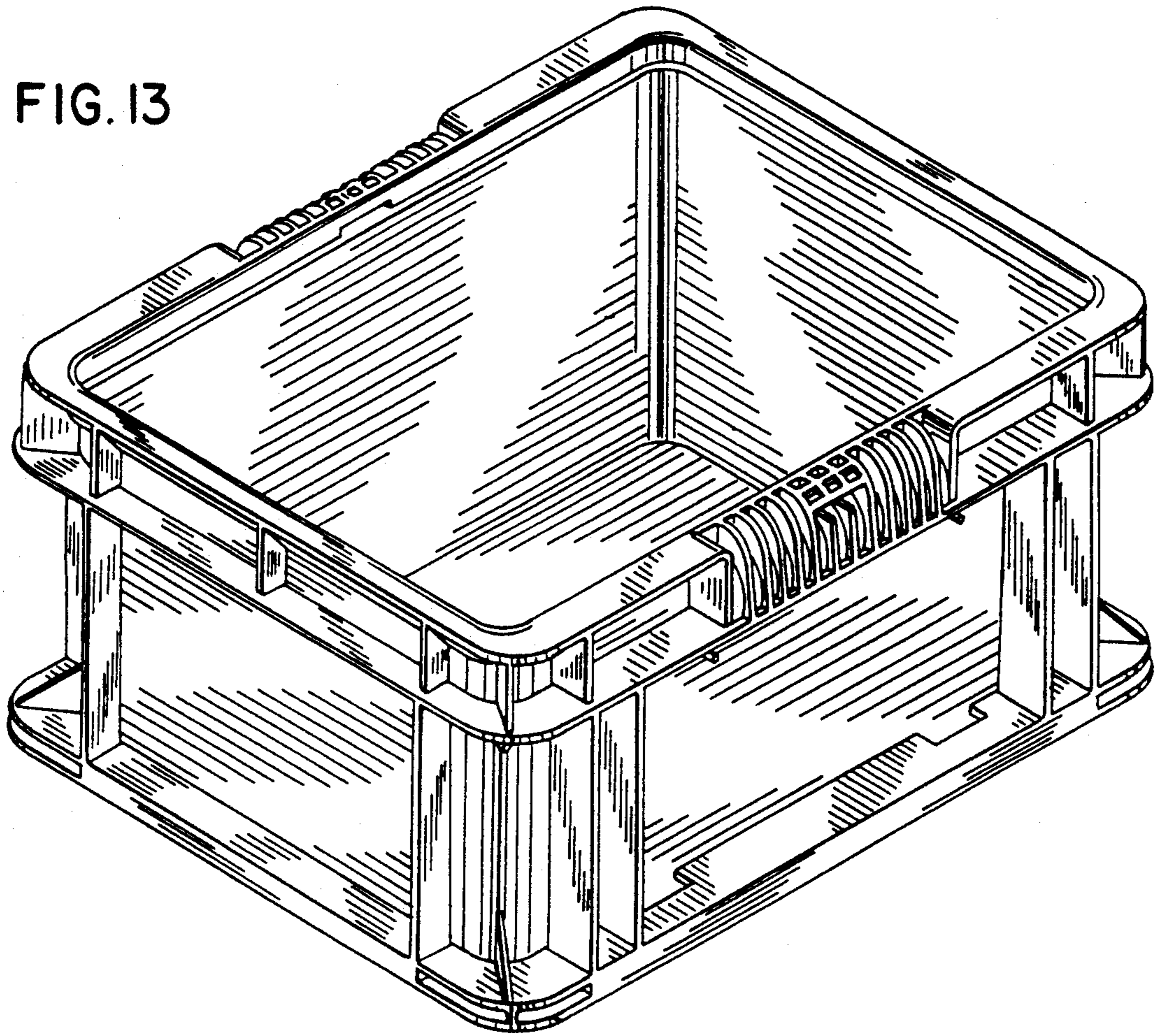
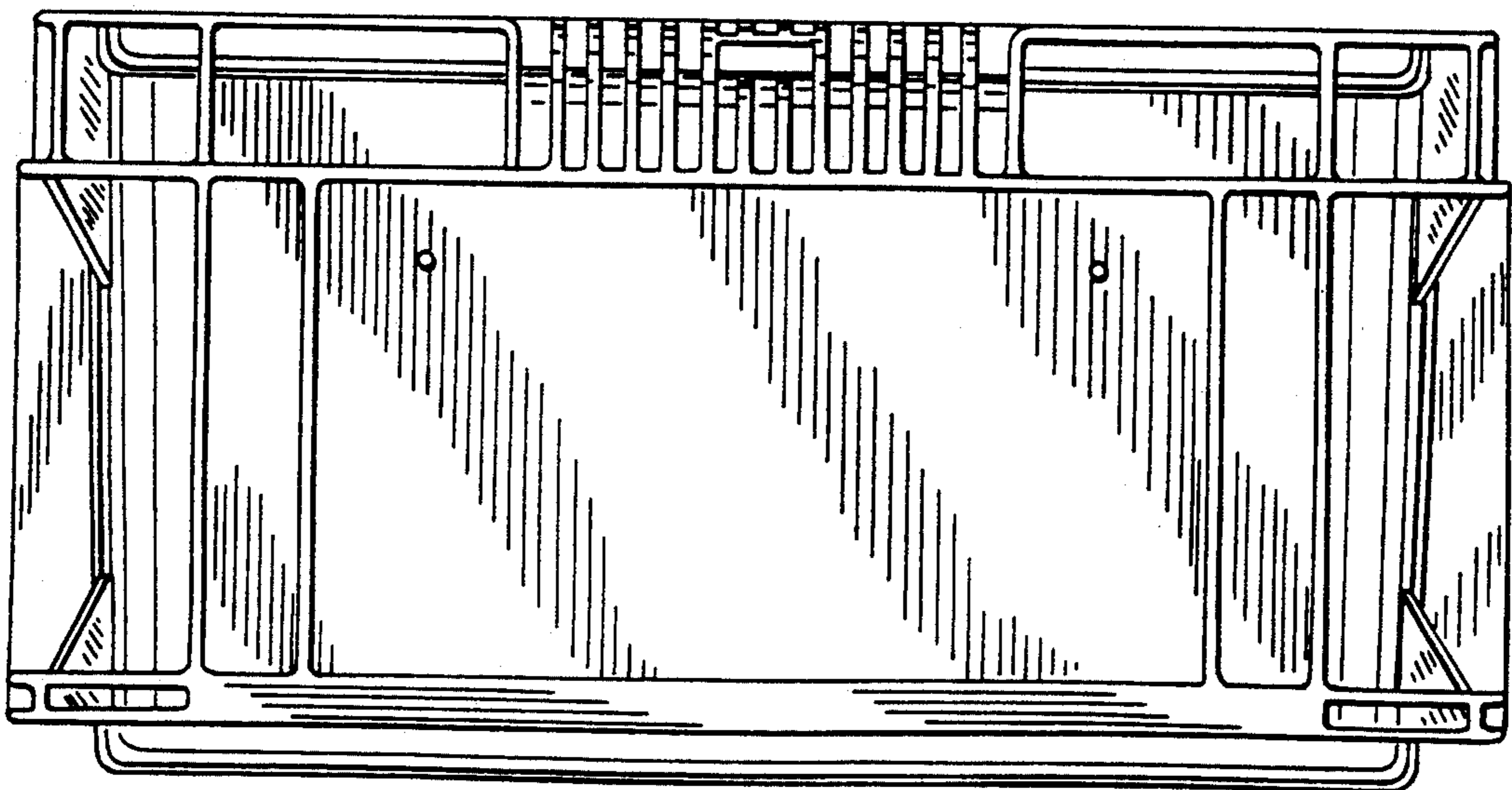


FIG. 15



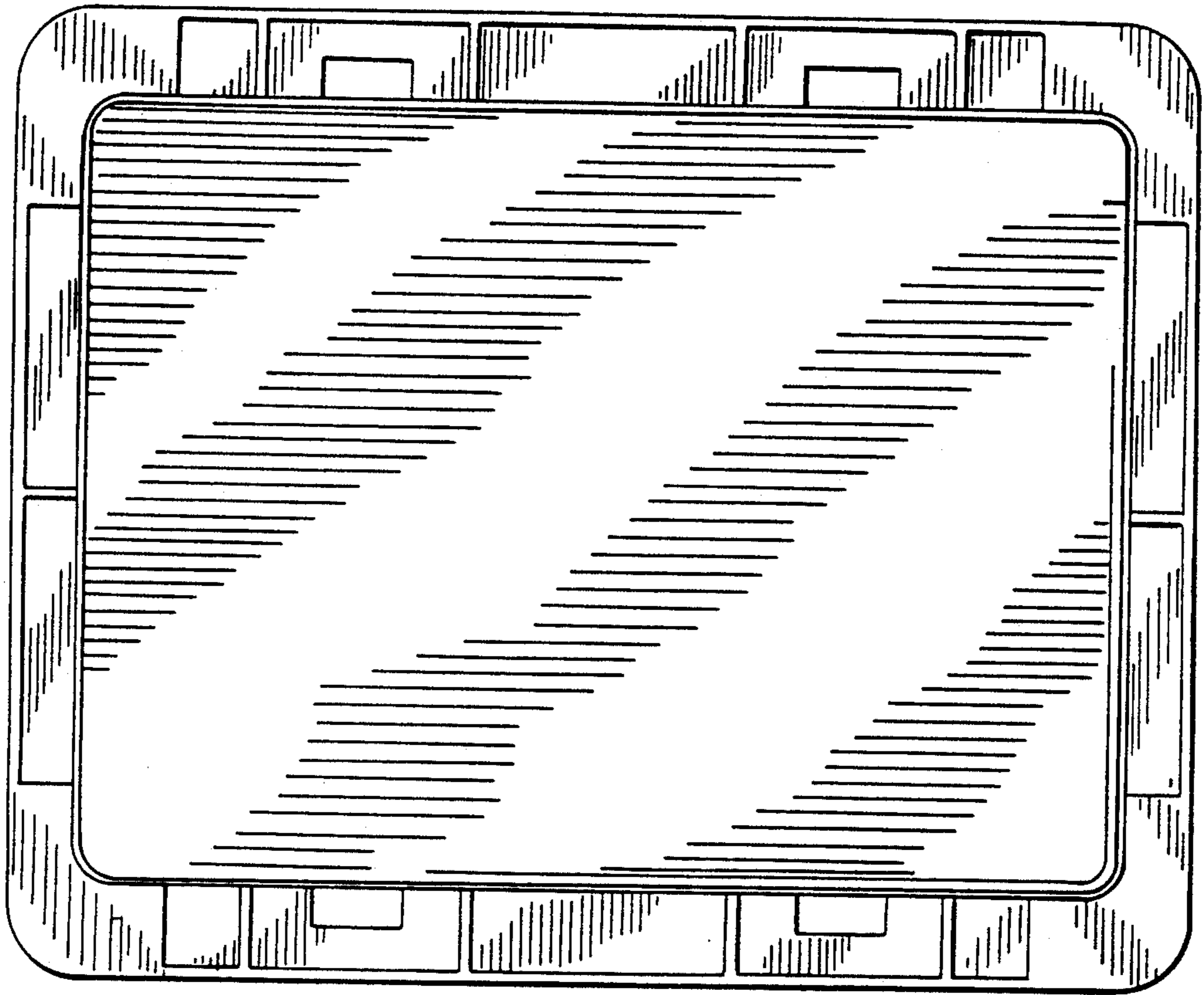
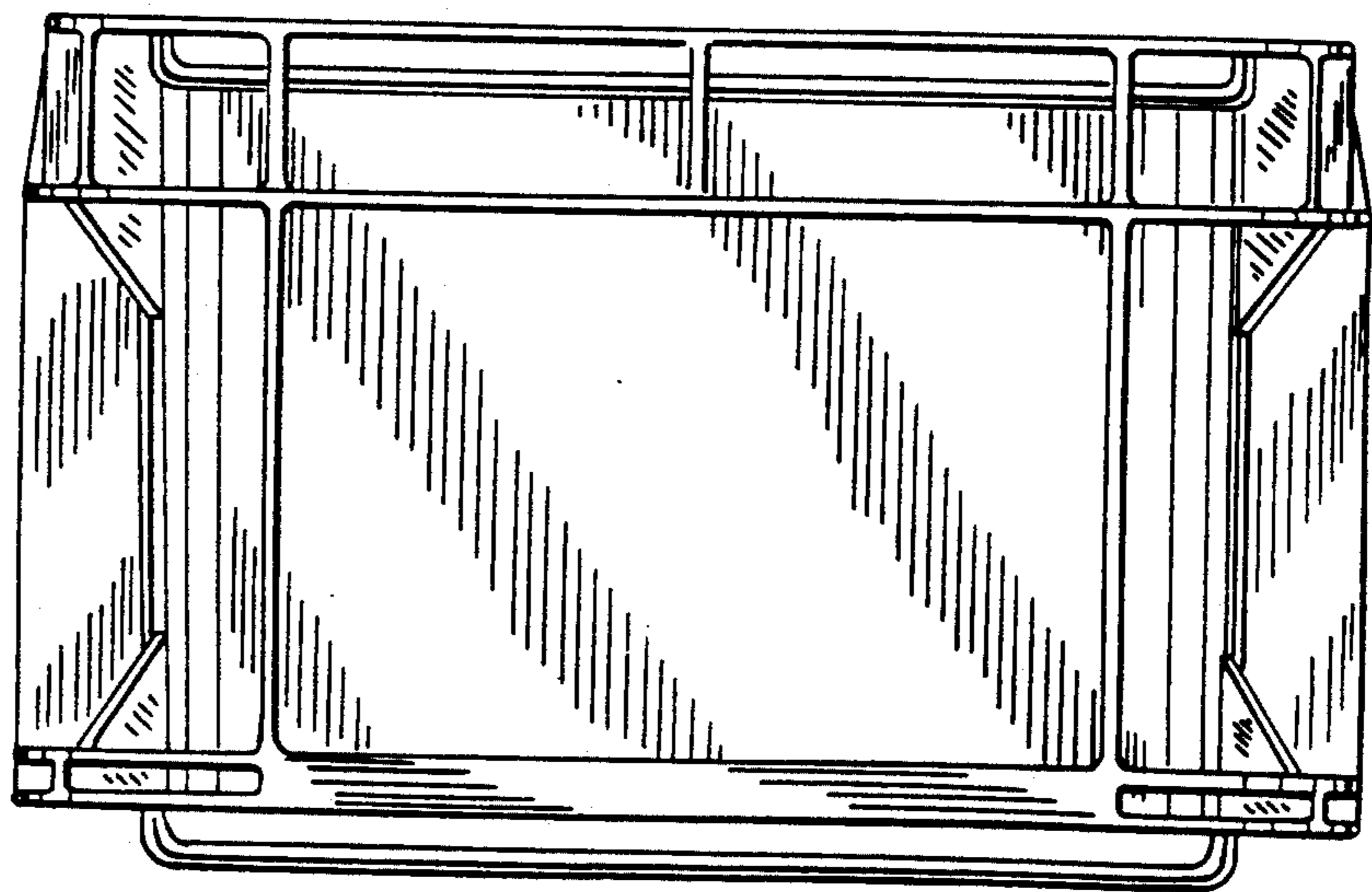


FIG. 14

FIG. 16



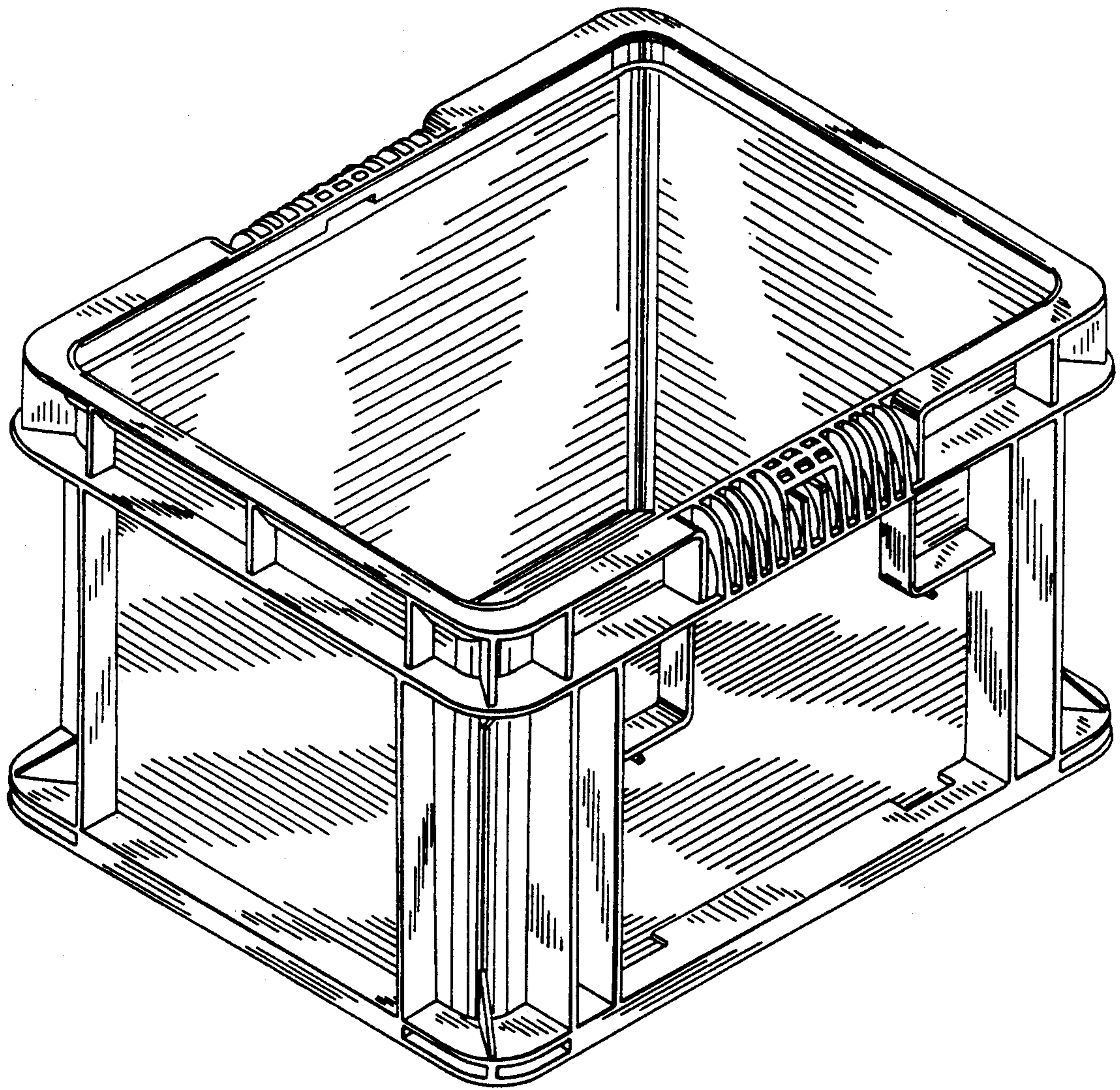


FIG. 17

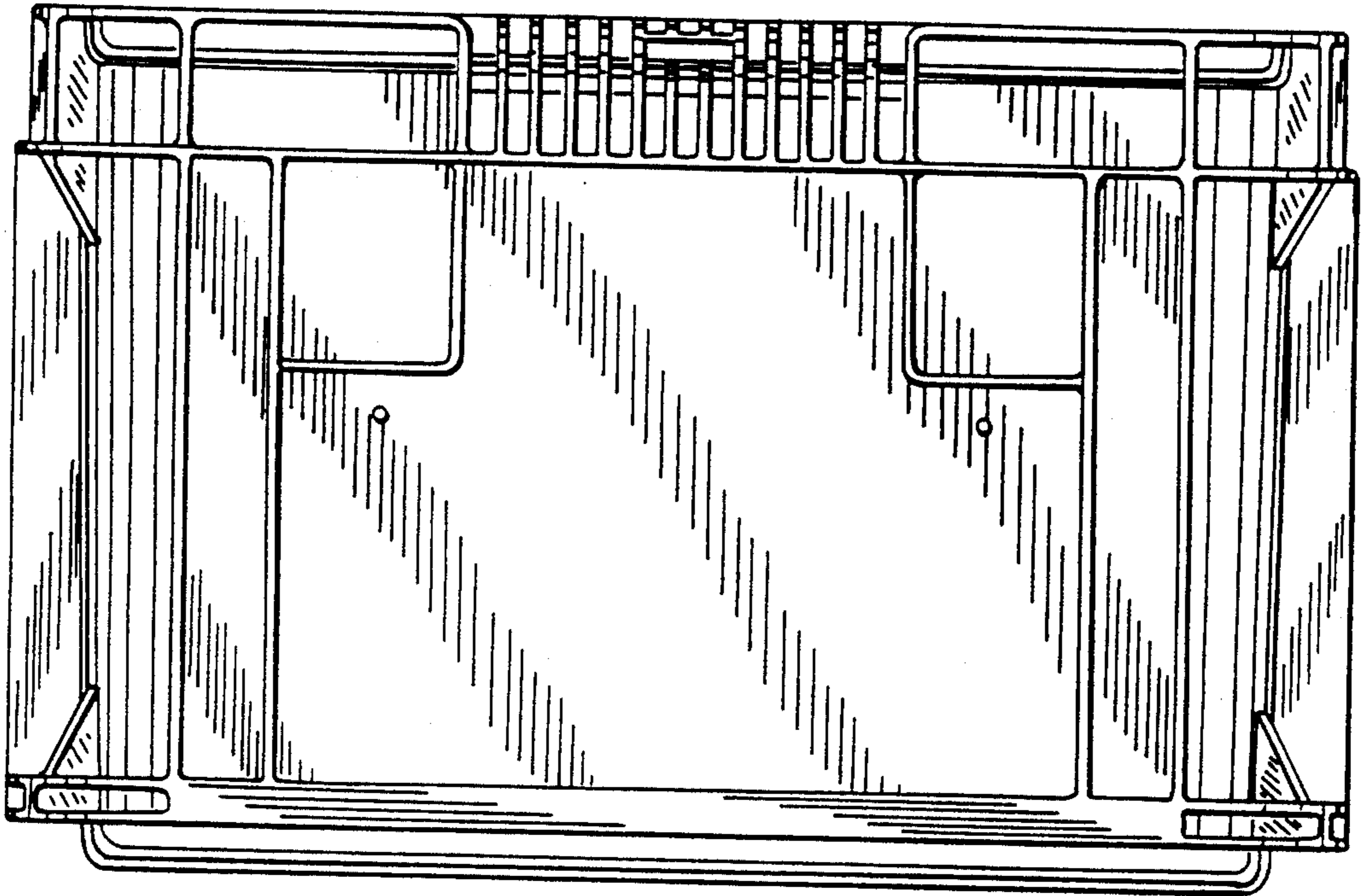
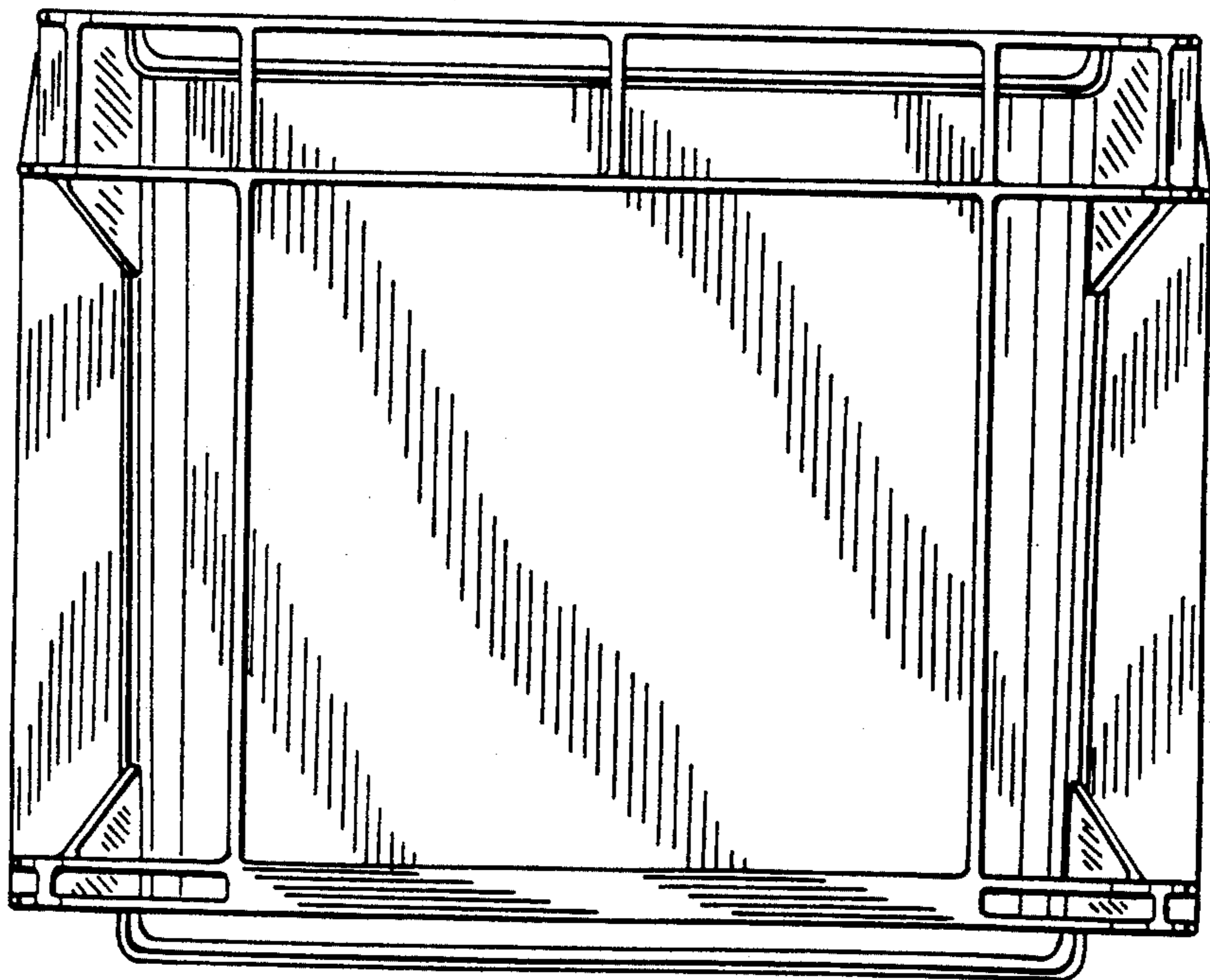


FIG. 18

FIG. 19



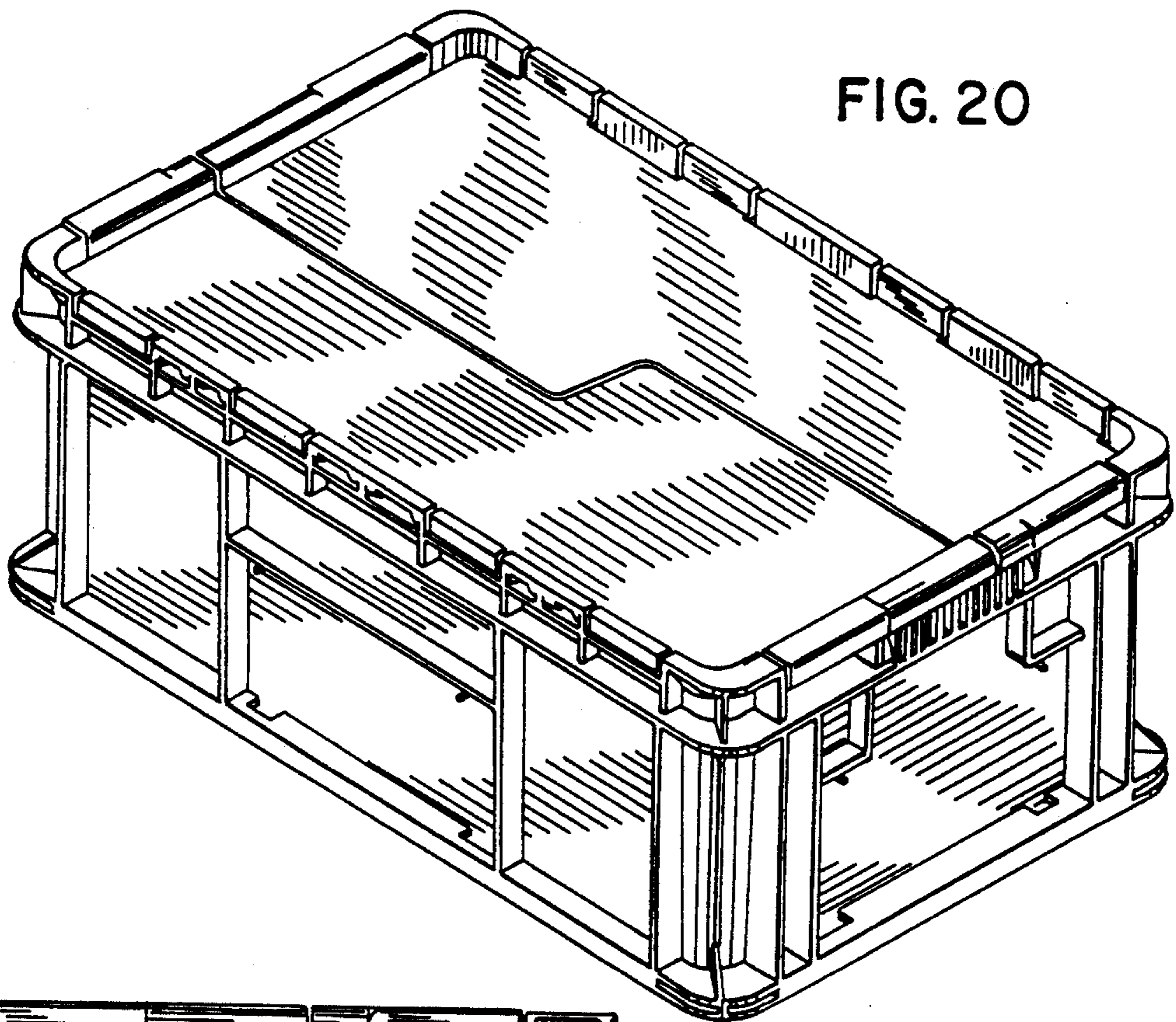


FIG. 20

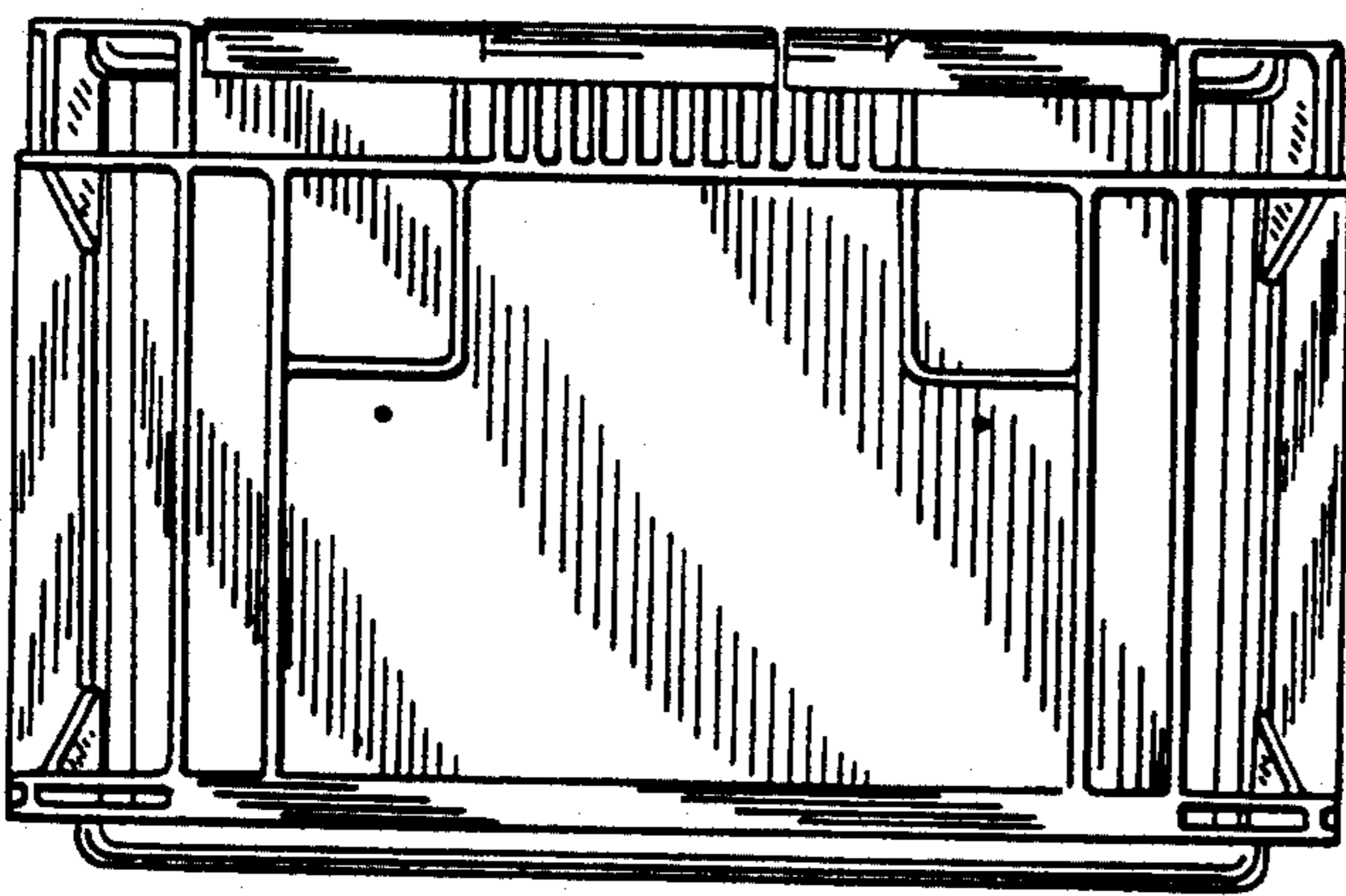


FIG. 21

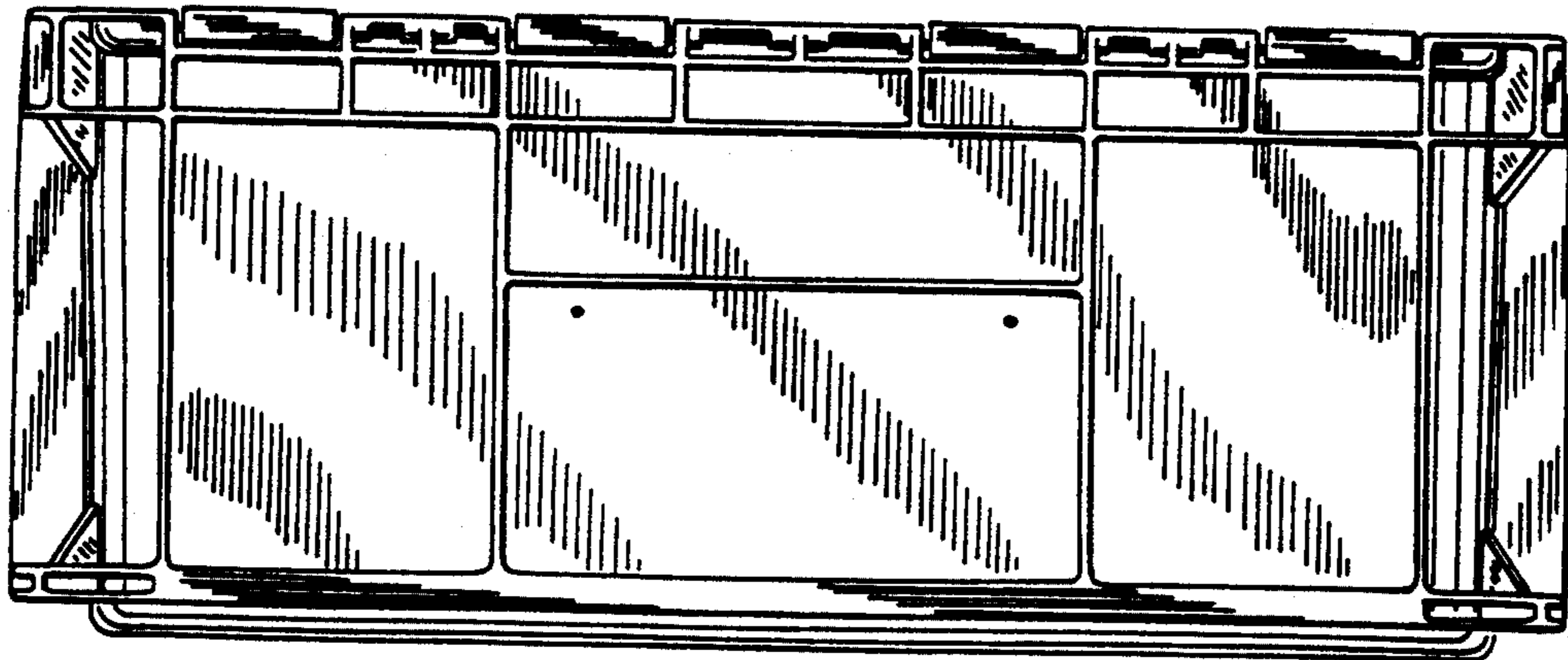


FIG. 22

UNITED STATES PATENT AND TRADEMARK OFFICE
CERTIFICATE OF CORRECTION

PATENT NO. : Des. 336,715
DATED : June 22, 1993
INVENTOR(S) : Paul R. Gora et al.

It is certified that error appears in the above-identified patent and that said Letters Patent is hereby corrected as shown below:

[57] In the Claim "ddescribed" should be --described--.

Fig. 4, lines 1 and 2 after "view thereof" "the left end elevational view thereof," should be deleted.

Fig. 21, line 2 after "identical" "thereof" should be --thereto--.

Signed and Sealed this
Eighth Day of February, 1994



BRUCE LEHMAN

Attest:

Attesting Officer

Commissioner of Patents and Trademarks