



US00D336714S

# United States Patent [19]

[11] Patent Number: **Des. 336,714**

**Brossia et al.**

[45] Date of Patent: **\*\* Jun. 22, 1993**

## [54] BEER KEG

## DESCRIPTION

[75] Inventors: **Charles E. Brossia, Hartland; Phillip S. Desmond, Waukesha; Eckhard F. Rahn, Colgate, all of Wis.**

FIG. 1 is a perspective view showing our new design; FIG. 2 is a side elevational view thereof, the opposite side is the same;

[73] Assignee: **Miller Brewing Company, Milwaukee, Wis.**

FIG. 3 is a front elevational view thereof, the rear elevational view is the same;

[\*\*] Term: **14 Years**

FIG. 4 is a top plan view thereof;

[21] Appl. No.: **800,390**

FIG. 5 is a bottom plan view thereof;

[22] Filed: **Nov. 27, 1991**

FIG. 6 is a top plan view of a second embodiment of the beer keg similar to that shown in FIG. 4;

[52] U.S. Cl. .... **D34/39**

FIG. 7 is a top plan view of a third embodiment of the beer keg similar to that shown in FIG. 4;

[58] Field of Search ..... **D34/39; D23/202, 205; D9/533, 500, 502; 220/601, 466, 623, DIG. 1, 769, 768, 755; 217/72, 75, 74; 215/100 A**

FIG. 8 is a top plan view of a fourth embodiment of the beer leg similar to that shown in FIG. 4;

## [56] References Cited

FIG. 9 is a top plan view of a fifth embodiment of the beer keg similar to that shown in FIG. 4;

### U.S. PATENT DOCUMENTS

D. 210,354	3/1968	Cornelius	.....	D34/39
224,202	2/1880	Maus	.	
264,185	9/1882	Miller	.	
D. 277,041	1/1985	Nichols	.....	D34/39
848,228	3/1907	Ettel	.	
975,342	11/1910	Firth	.....	220/623 X
2,003,050	5/1935	Iselin	.....	62/32
2,146,381	2/1939	Rheem	.....	220/DIG. 1 X
2,792,692	5/1957	Bryan	.....	62/144
3,143,238	8/1964	Bulgrin	.....	D34/39 X
3,614,875	10/1971	McCallun	.....	62/372
3,789,622	2/1974	Yanes	.....	62/396
4,071,160	1/1978	Vick	.....	220/5 R
4,653,290	3/1987	Byrne	.....	62/372
4,690,299	9/1987	Cannon	.....	234/39 X
4,963,175	10/1990	Pace	.....	62/372

FIG. 10 is a top plan view of a sixth embodiment of the beer keg similar to that shown in FIG. 4;

FIG. 11 is a top plan view of a seventh embodiment of the beer keg similar to that shown in FIG. 4.

FIG. 12 is a top plan view of an eight embodiment of the beer keg similar to that shown in FIG. 4;

### FOREIGN PATENT DOCUMENTS

3531646	3/1987	Fed. Rep. of Germany	.....	220/466
165426	11/1980	Netherlands	.....	220/DIG. 1

FIG. 13 is a top plan view of a ninth embodiment of the beer keg similar to that shown in FIG. 4;

FIG. 14 is a top plan view of a tenth embodiment of the beer keg similar to that shown in FIG. 4;

FIG. 15 is a perspective view of the embodiment of FIG. 6;

*Primary Examiner*—Theodore M. Shooman

*Assistant Examiner*—Lucy Lieberman

*Attorney, Agent, or Firm*—Quarles & Brady

FIG. 16 is a section view taken along lines 16—16 in FIG. 15;

FIG. 17 is a perspective view of the embodiment of FIG. 7;

FIG. 18 is a section view taken along lines 18—18 in FIG. 17;

FIG. 19 is a perspective view of the embodiment of FIG. 8;

FIG. 20 is a section view taken along lines 20—20 in FIG. 19;

FIG. 21 is a perspective view of the embodiment of FIG. 9;

FIG. 22 is a section view taken along lines 22—22 in FIG. 21;

FIG. 23 is a perspective view of the embodiment of FIG. 10;

## [57] CLAIM

The ornamental design for a beer keg, as shown and described.

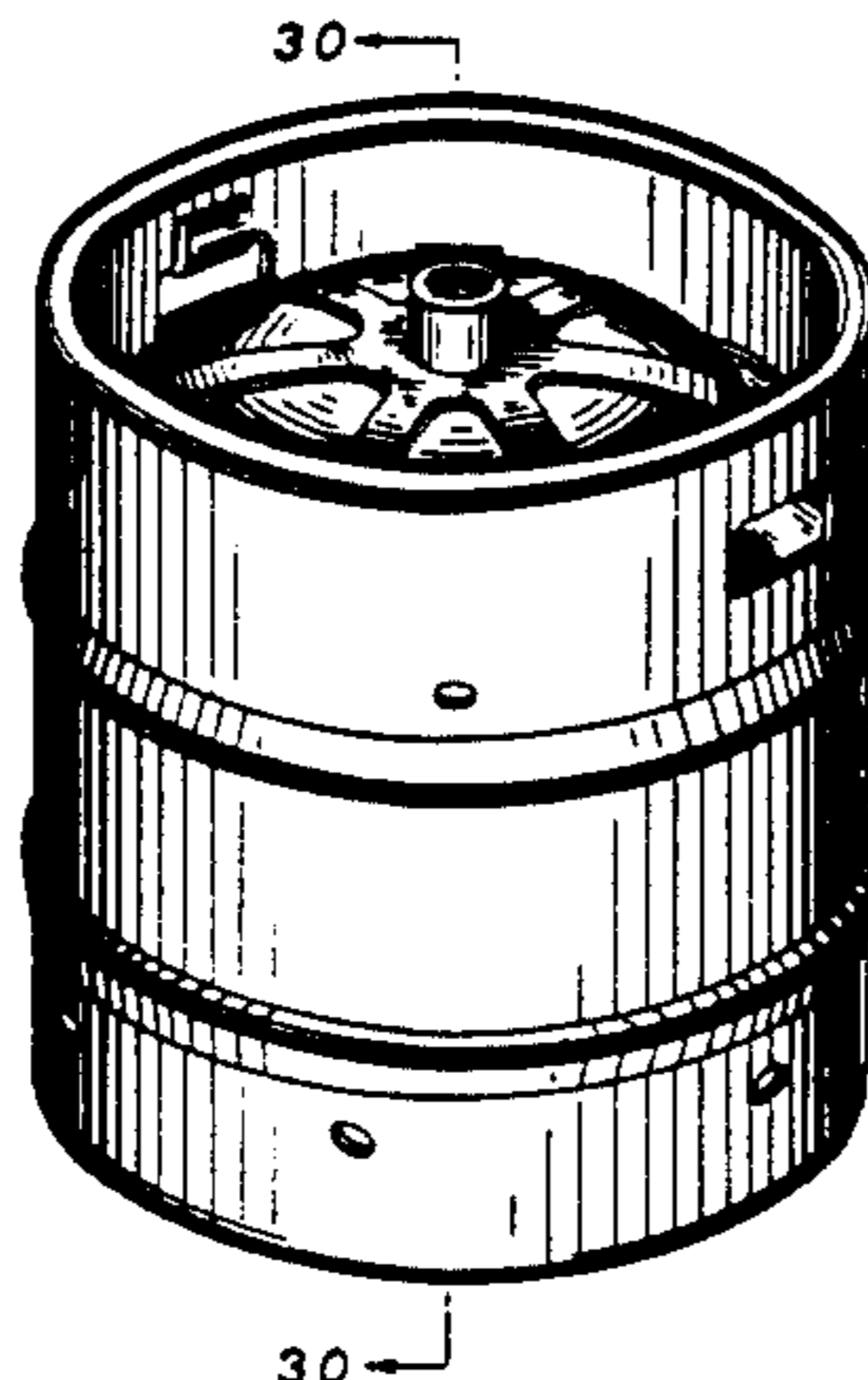


FIG. 24 is a section view taken along lines 24—24 in FIG. 23;  
FIG. 25 is a perspective view of the embodiment of FIG. 11;  
FIG. 26 is a section view taken along lines 26—26 in FIG. 25;  
FIG. 27 is a perspective view of the embodiment of FIG. 12;  
FIG. 28 is a section view taken along lines 28—28 in FIG. 27;

FIG. 29 is a perspective view of the embodiment of FIG. 13;  
FIG. 30 is a section view taken along lines 30—30 in FIG. 29;  
FIG. 31 is a perspective view of the embodiment of FIG. 14; and,  
FIG. 32 is a section view taken along lines 32—32 in FIG. 31.  
The sides and bottom of the beer keg are the same in all embodiments.

FIG. 1

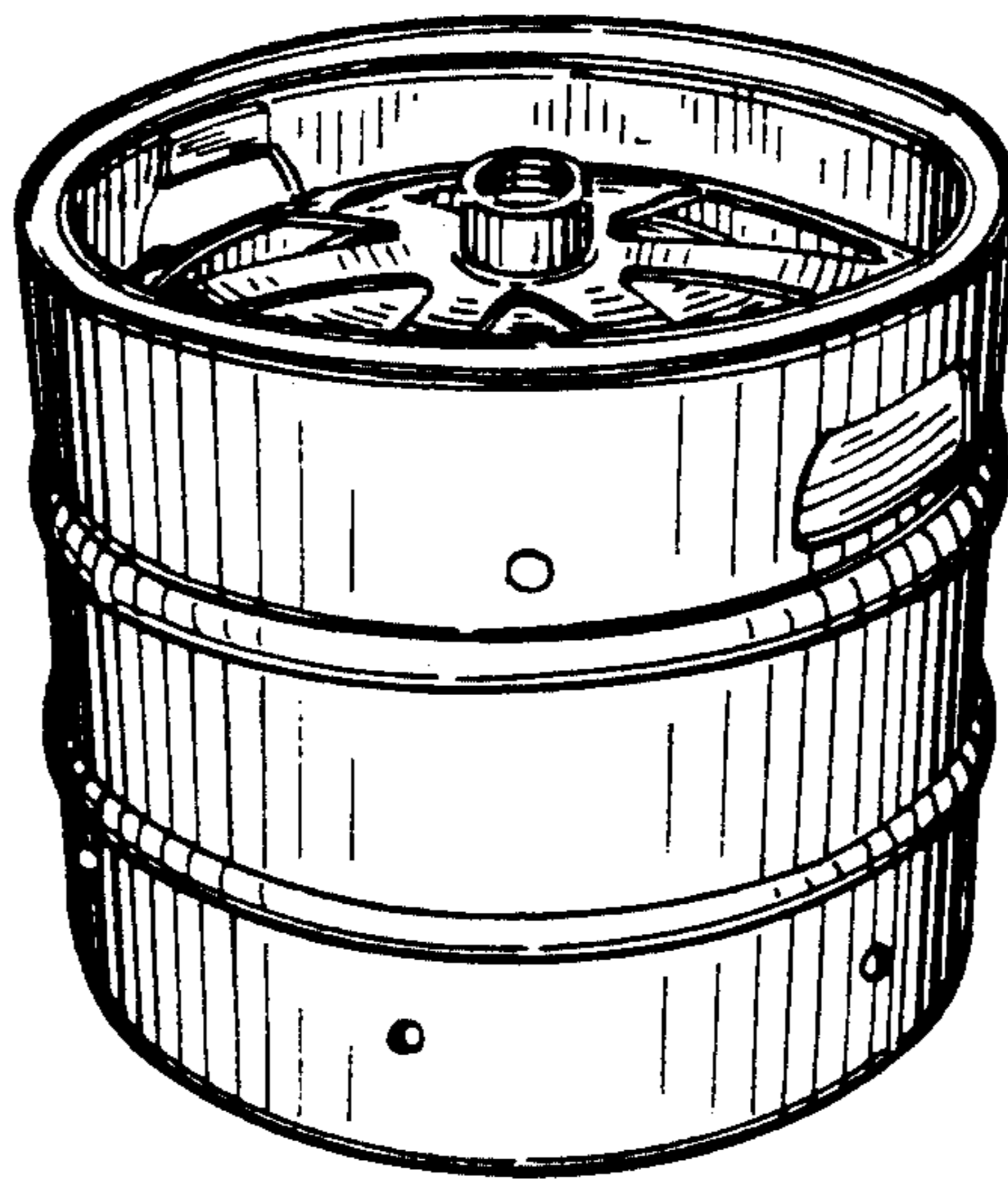


FIG. 2

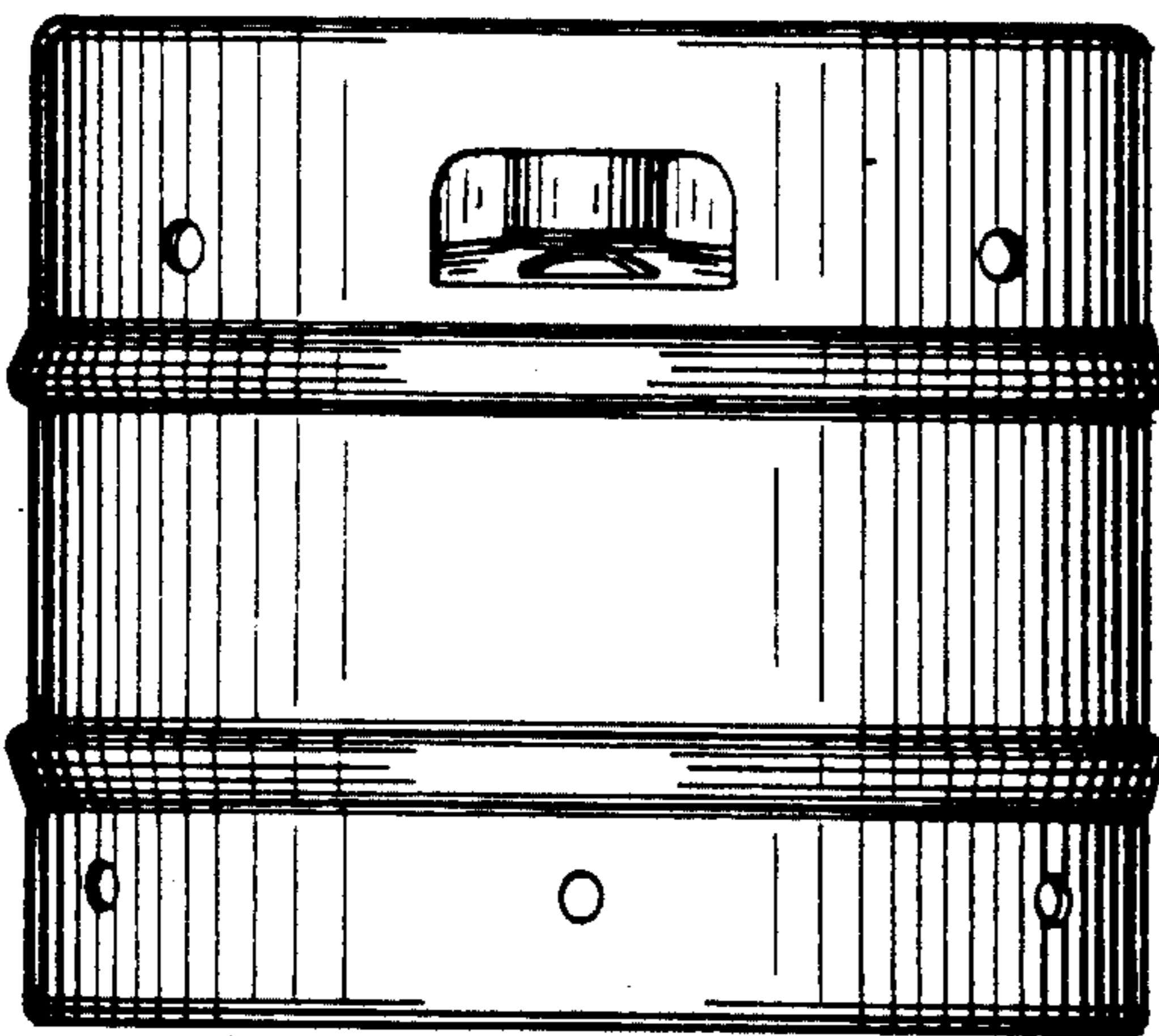


FIG. 3

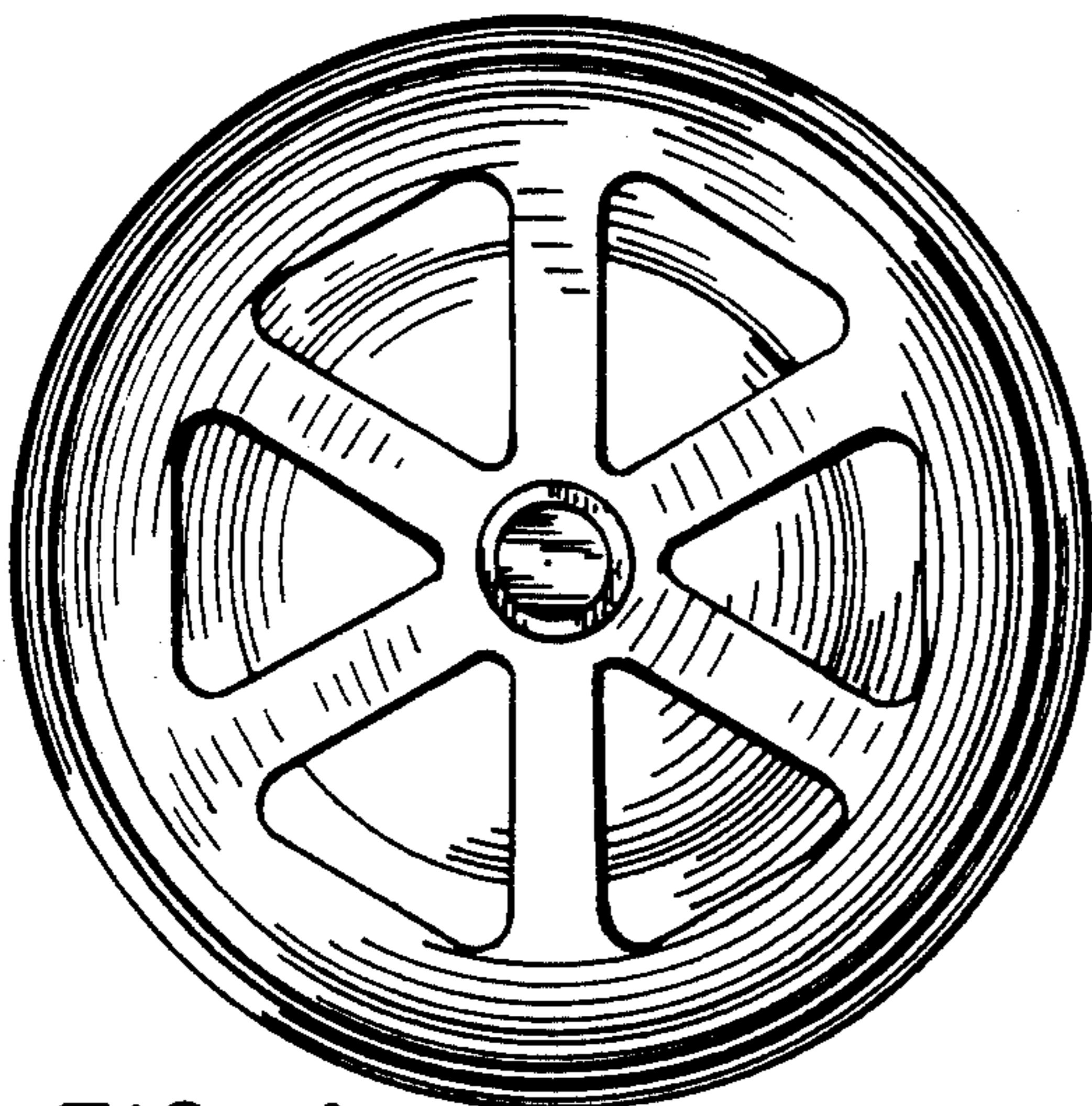
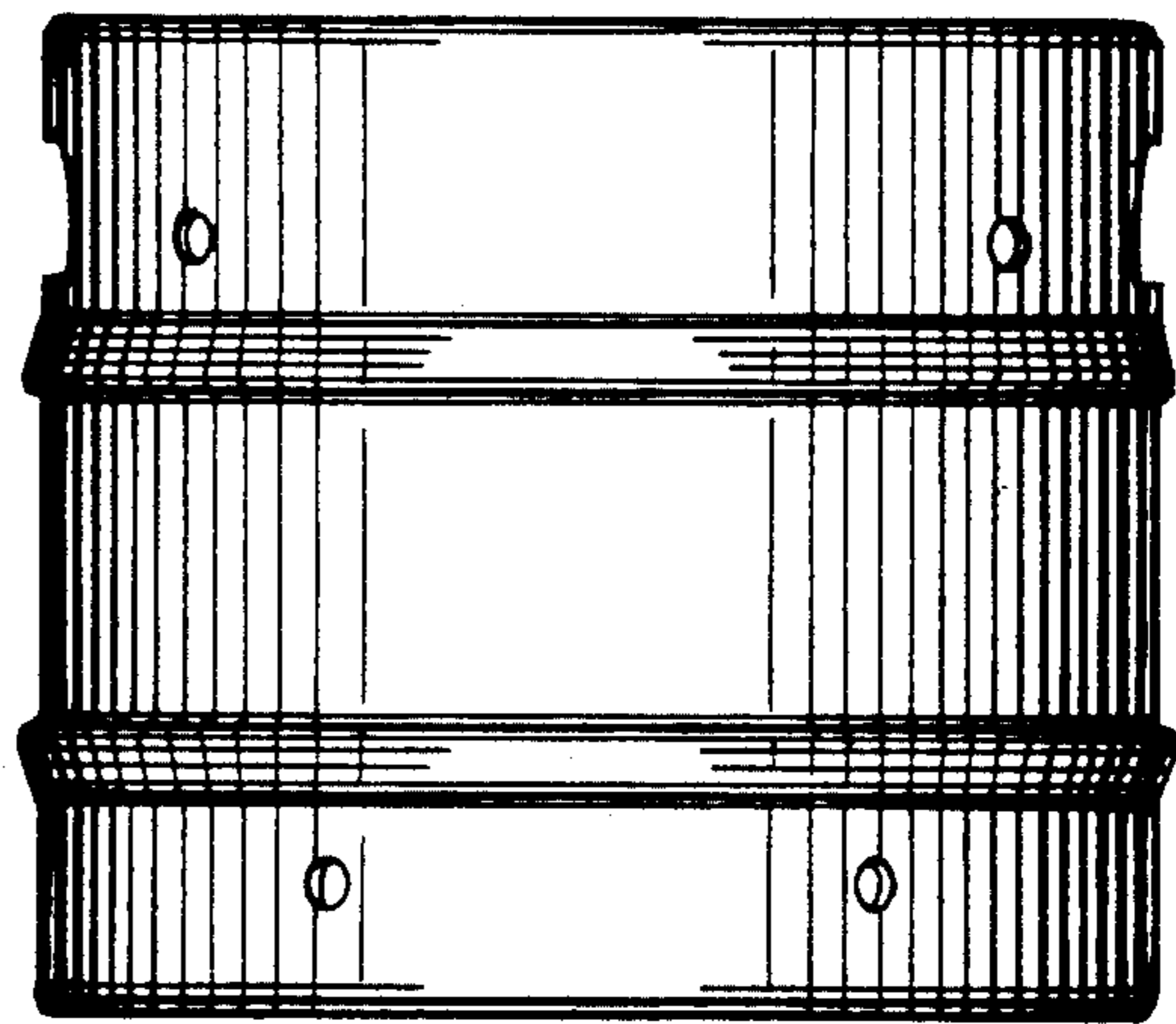


FIG. 4

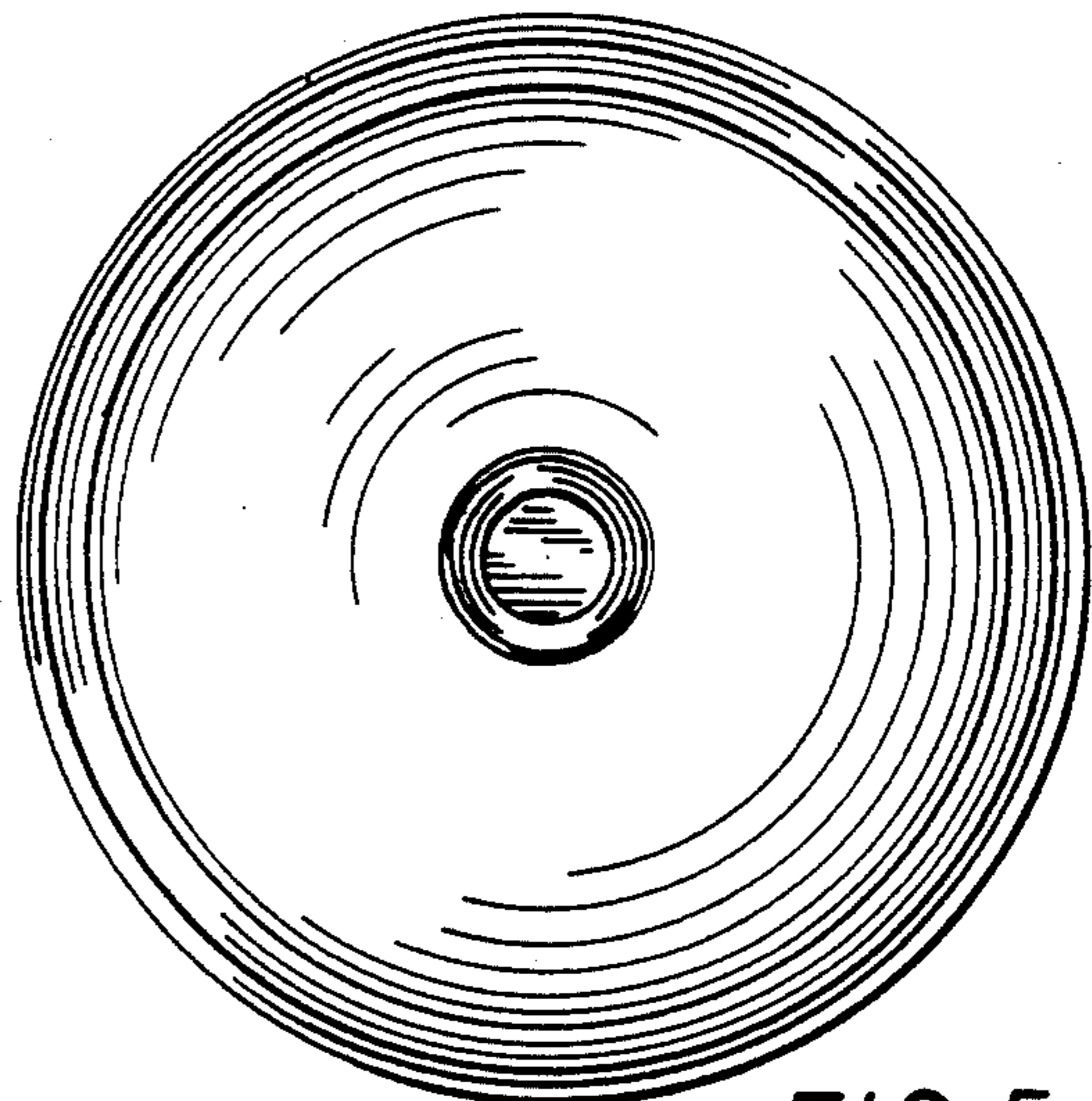


FIG. 5

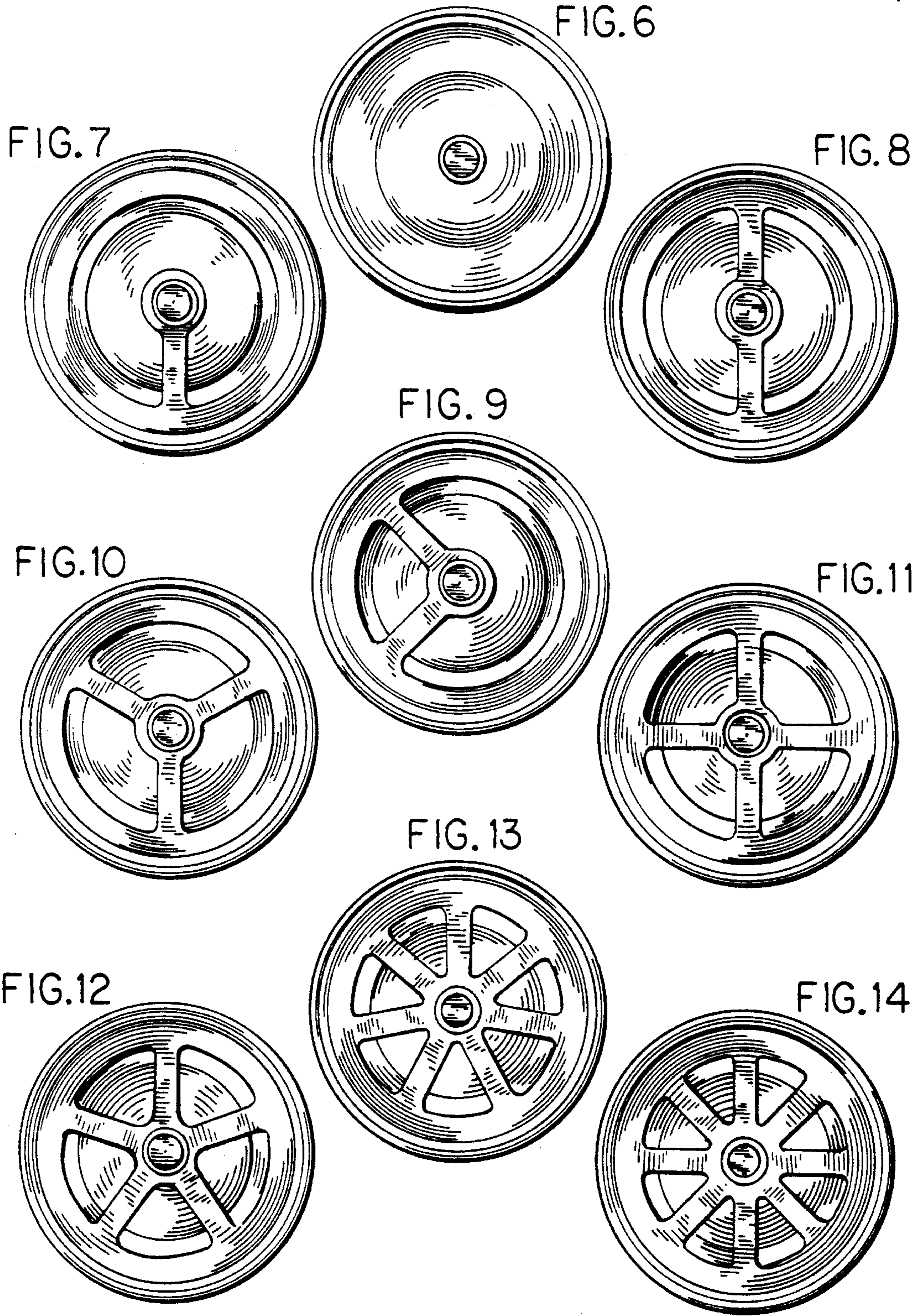
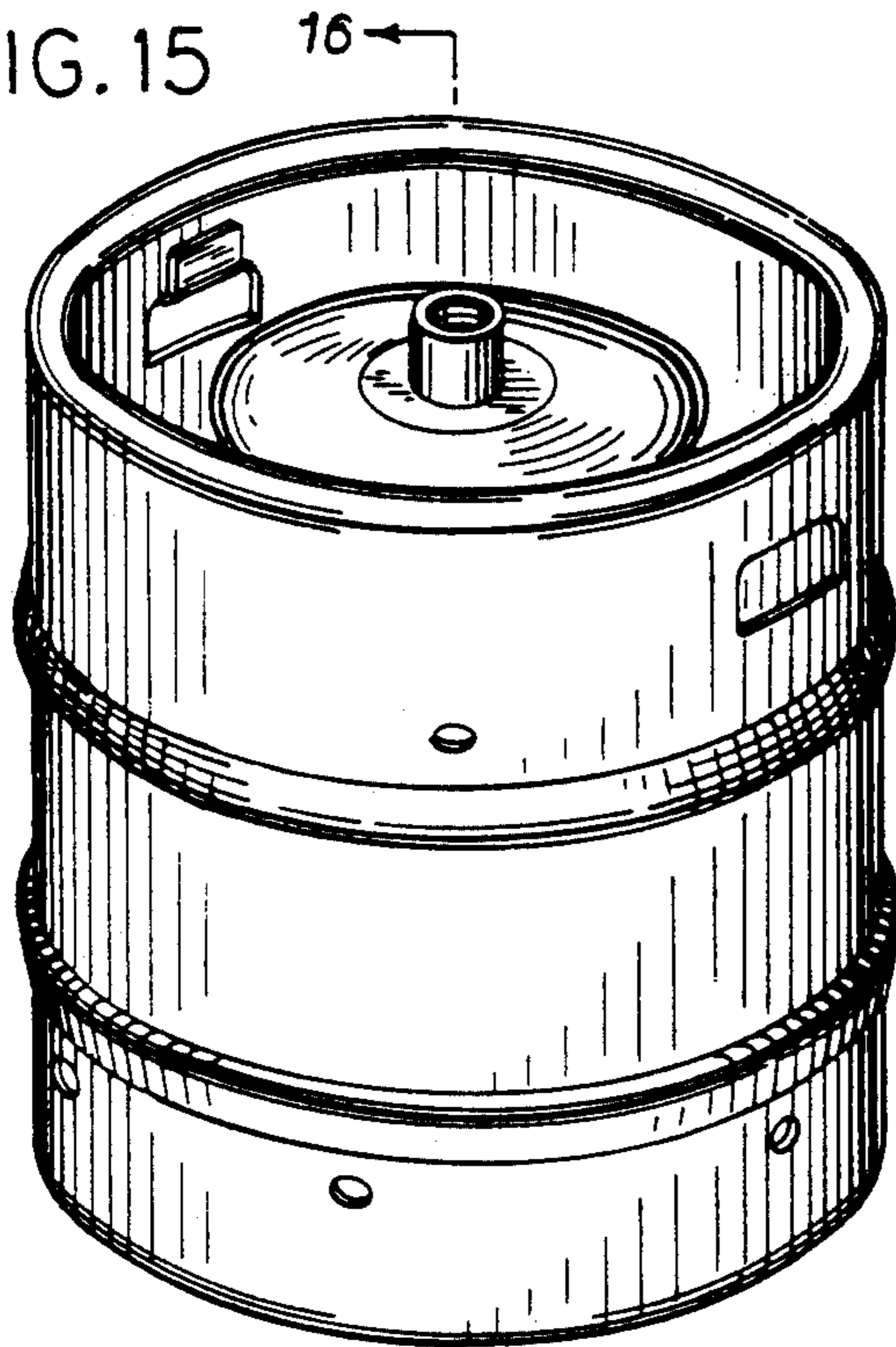
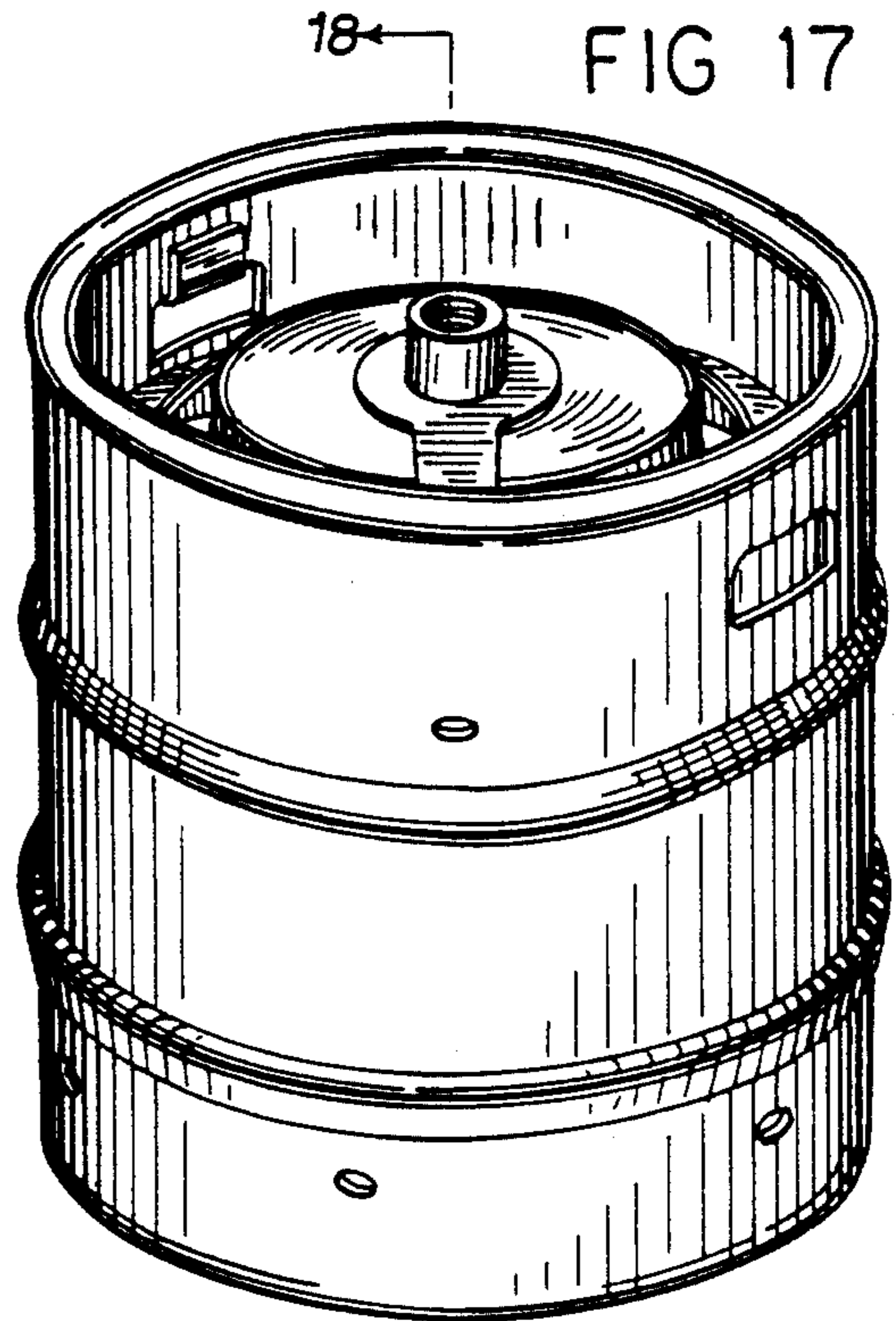


FIG. 15



16 ←

FIG 17



18 ←

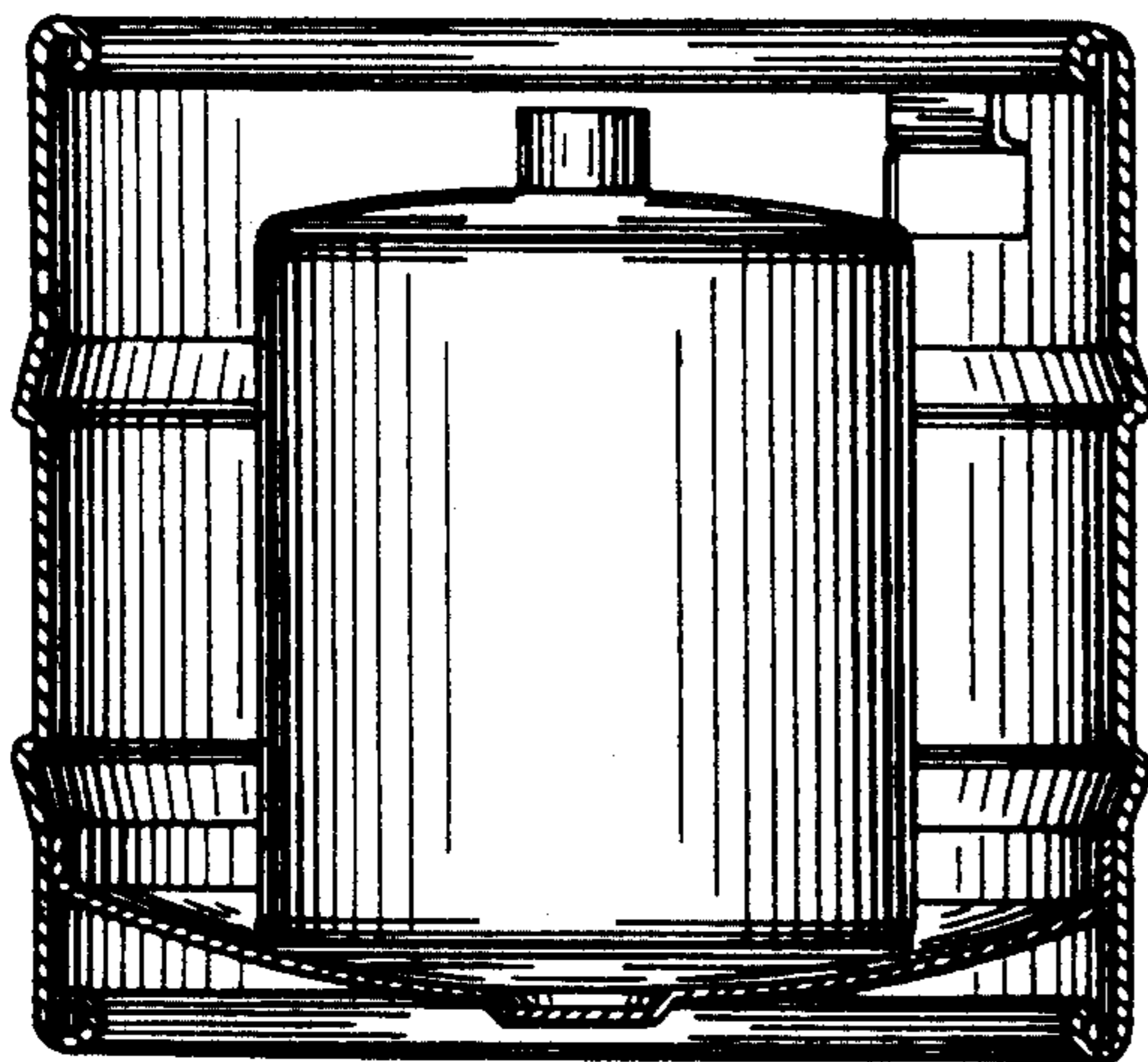


FIG. 16

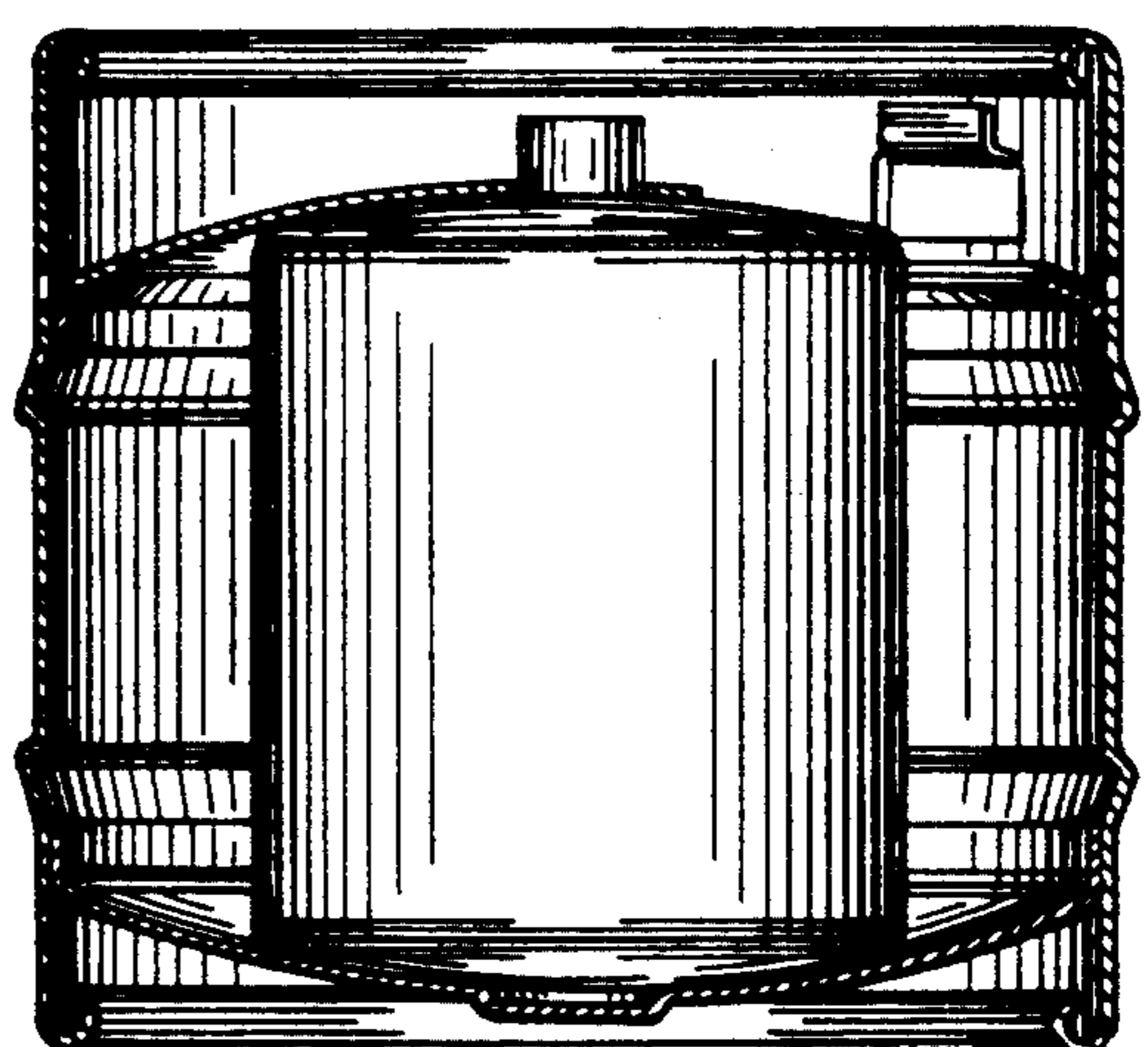


FIG. 18

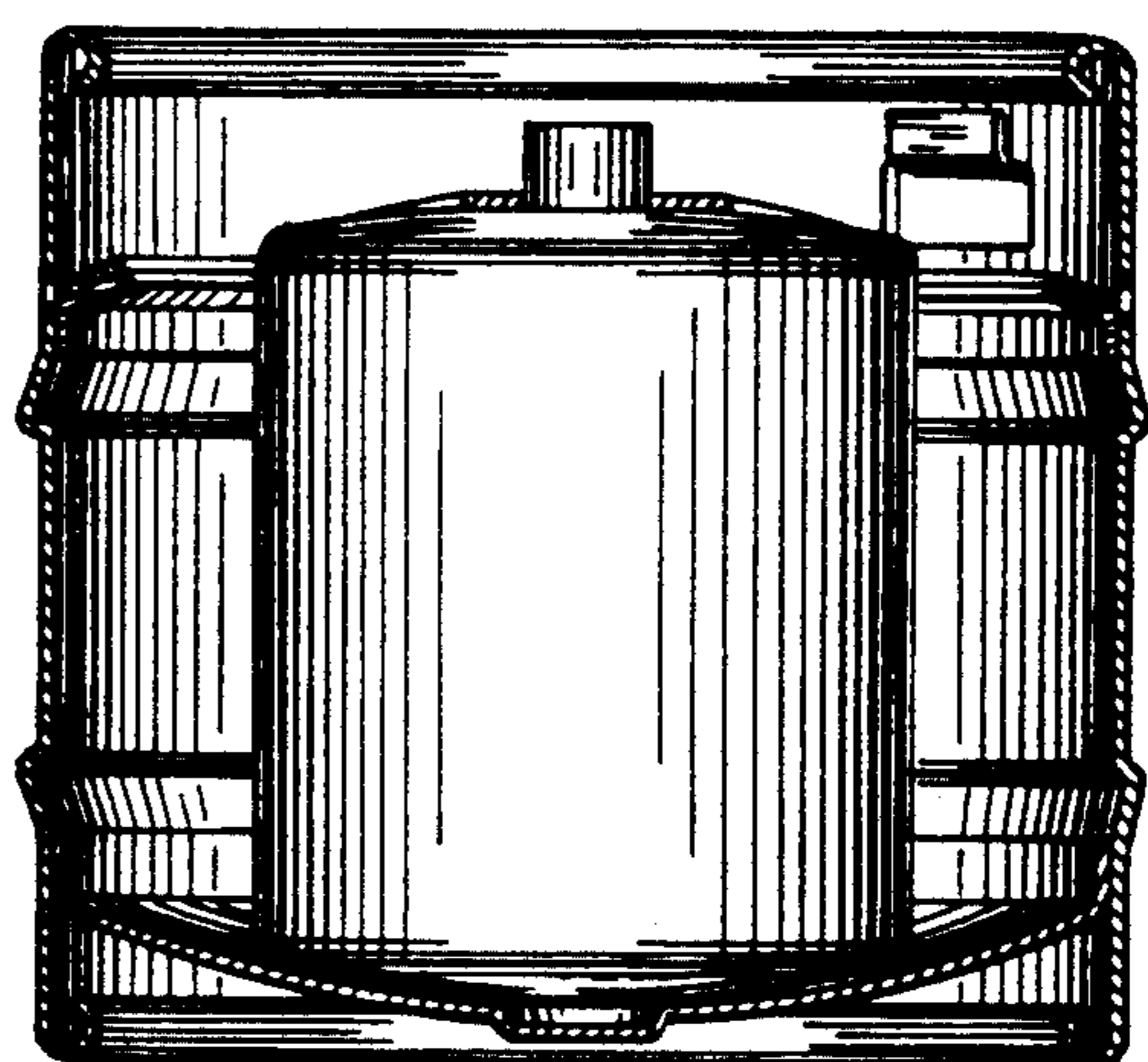
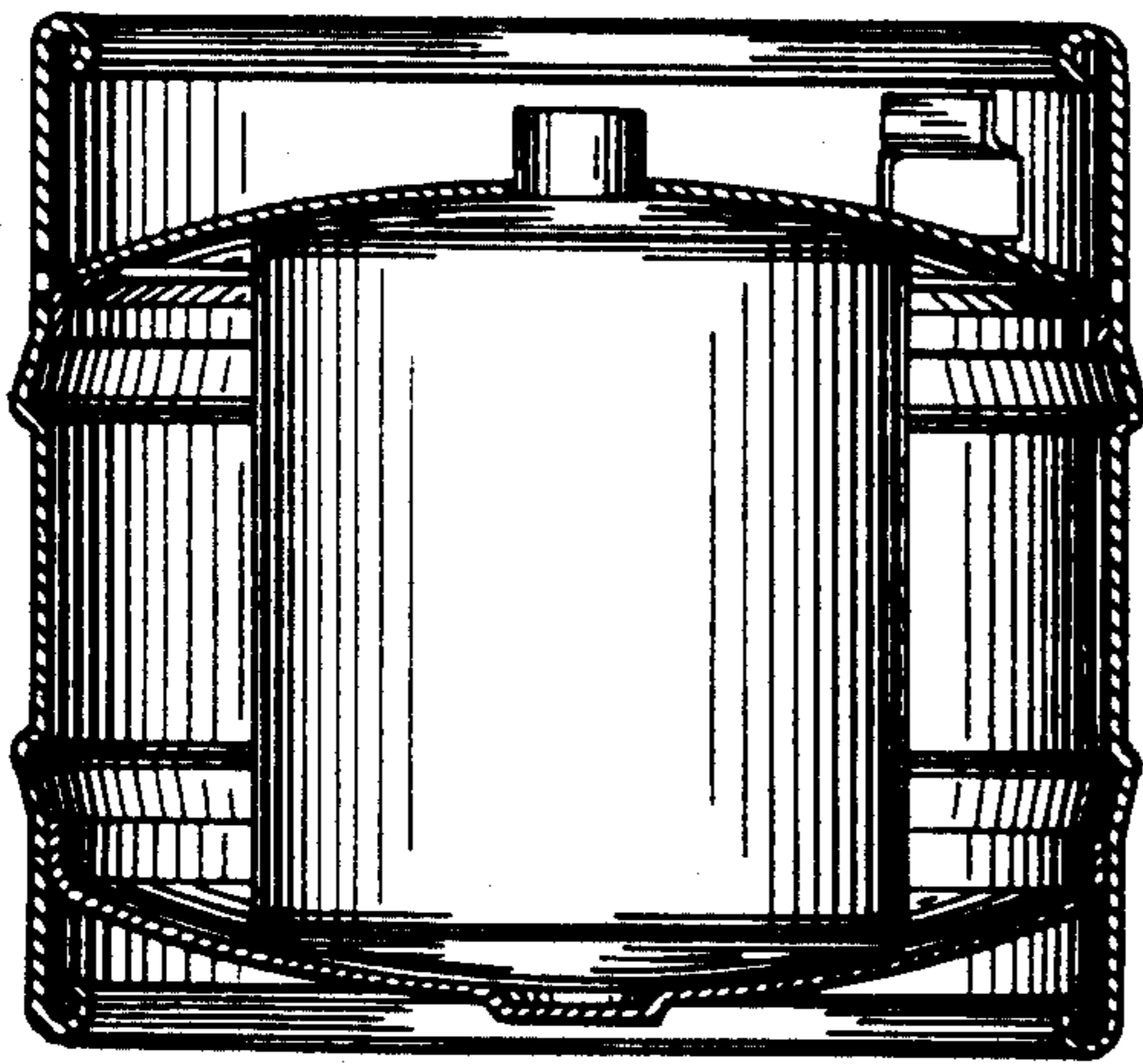
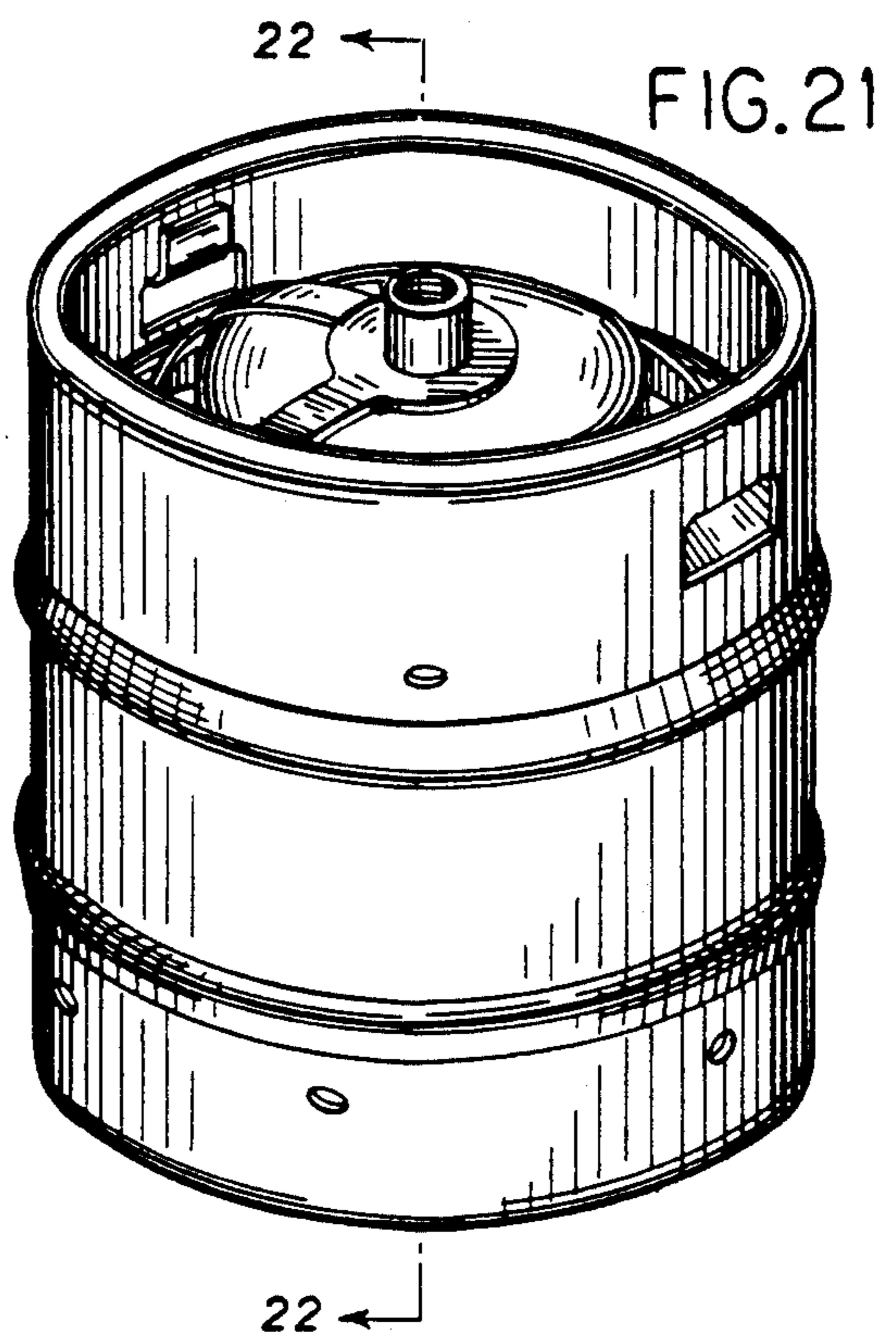
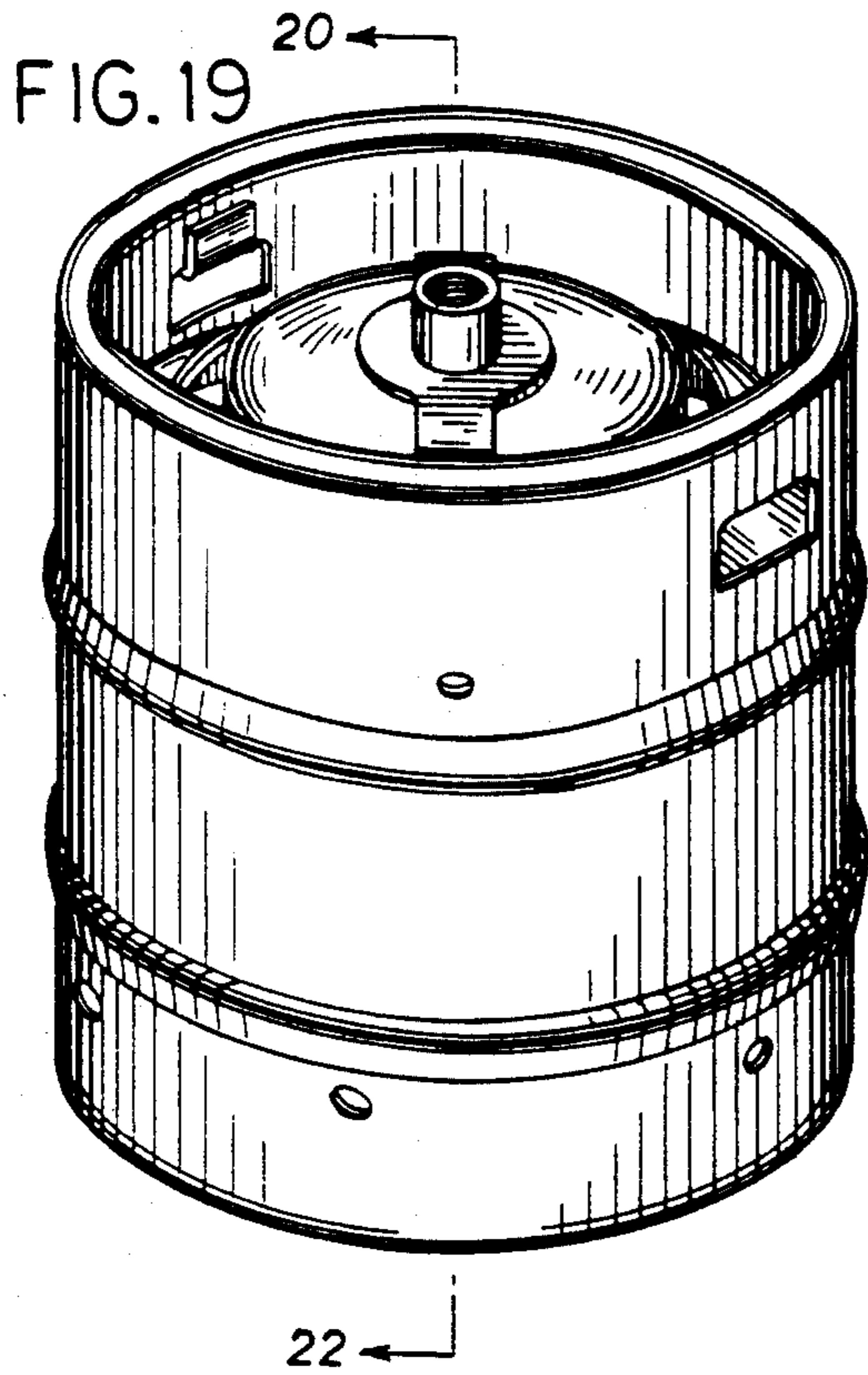
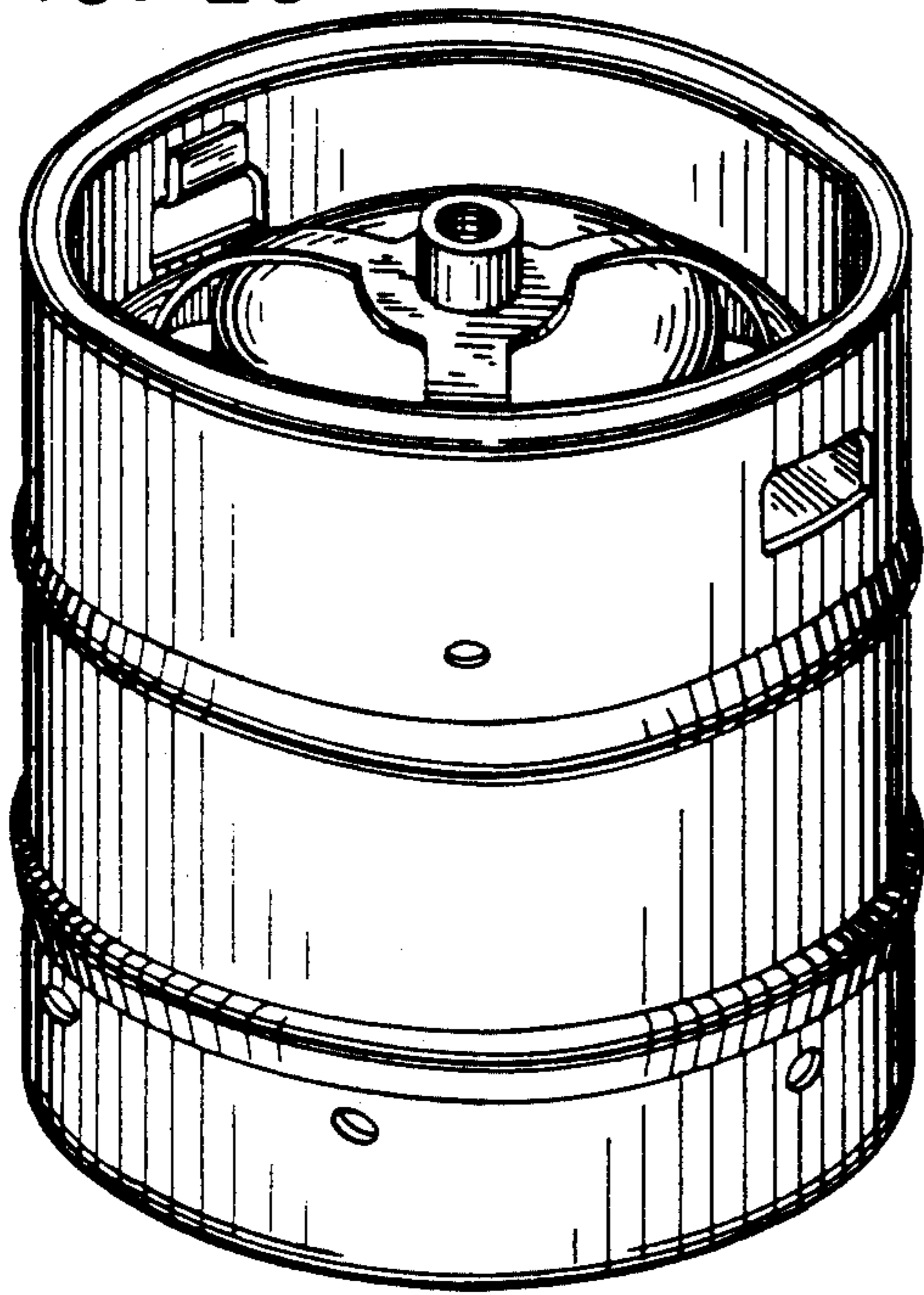
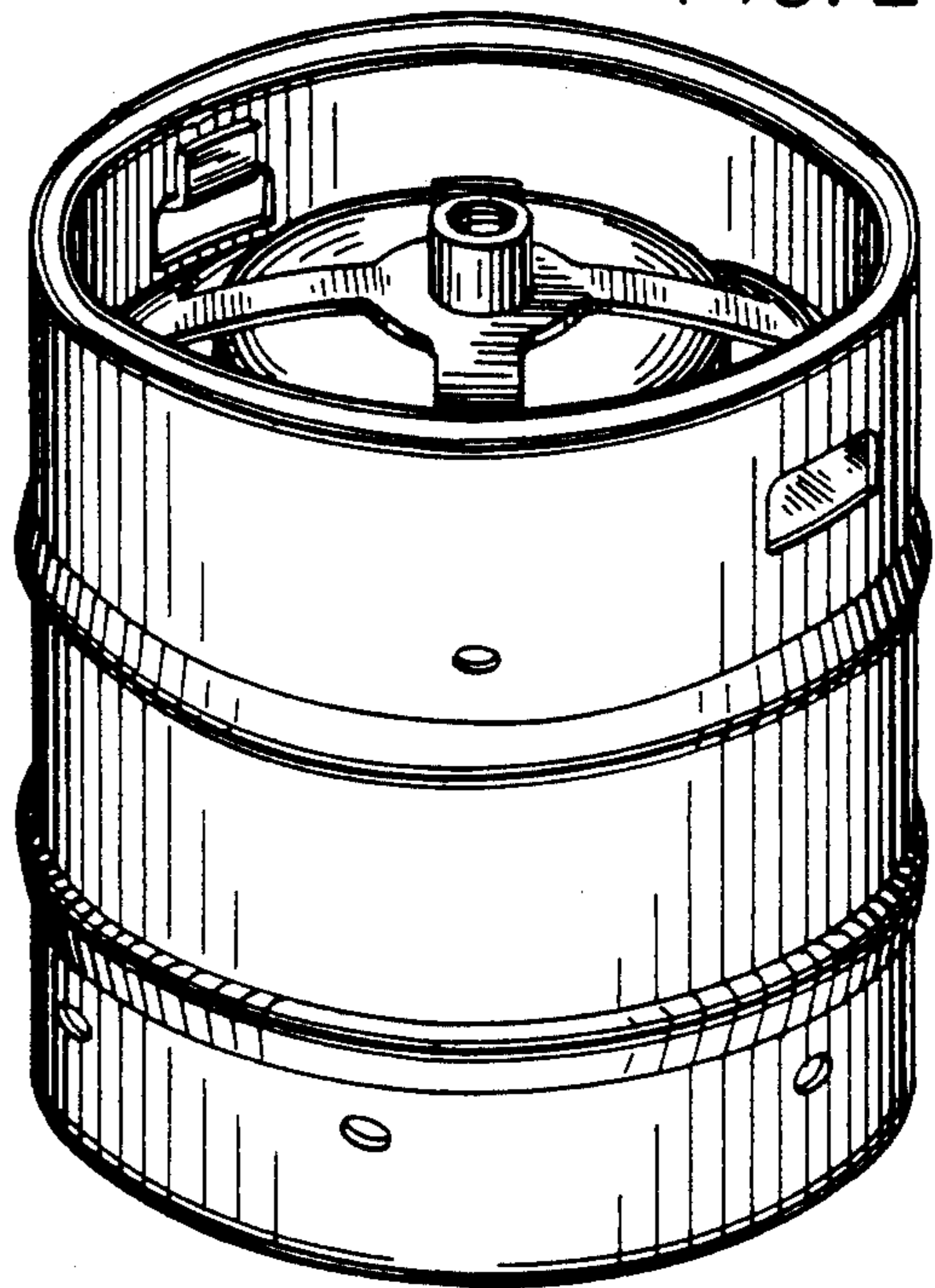


FIG. 23 24 ←



24 ←

26 ← FIG. 25



26 ←

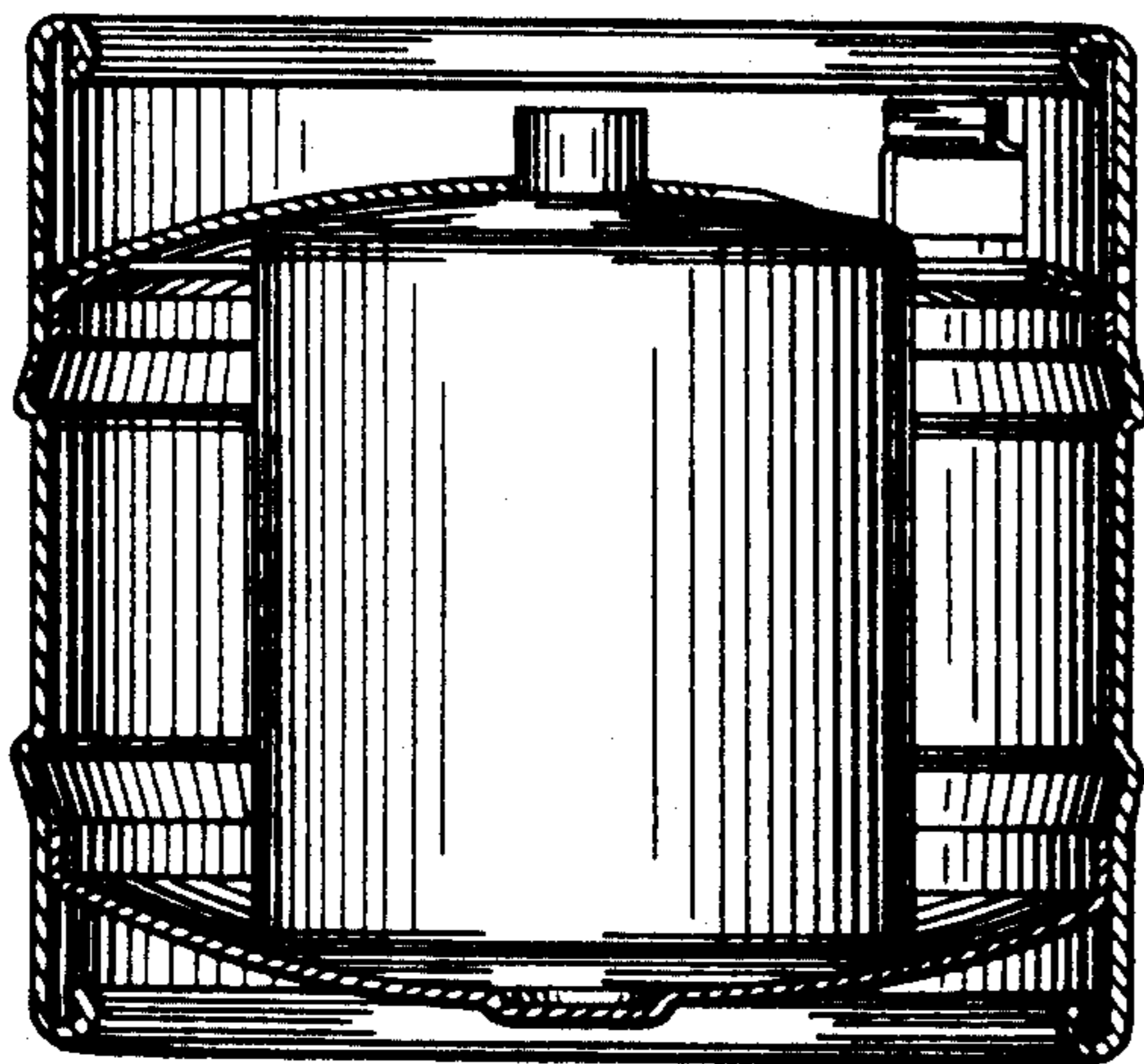


FIG. 24

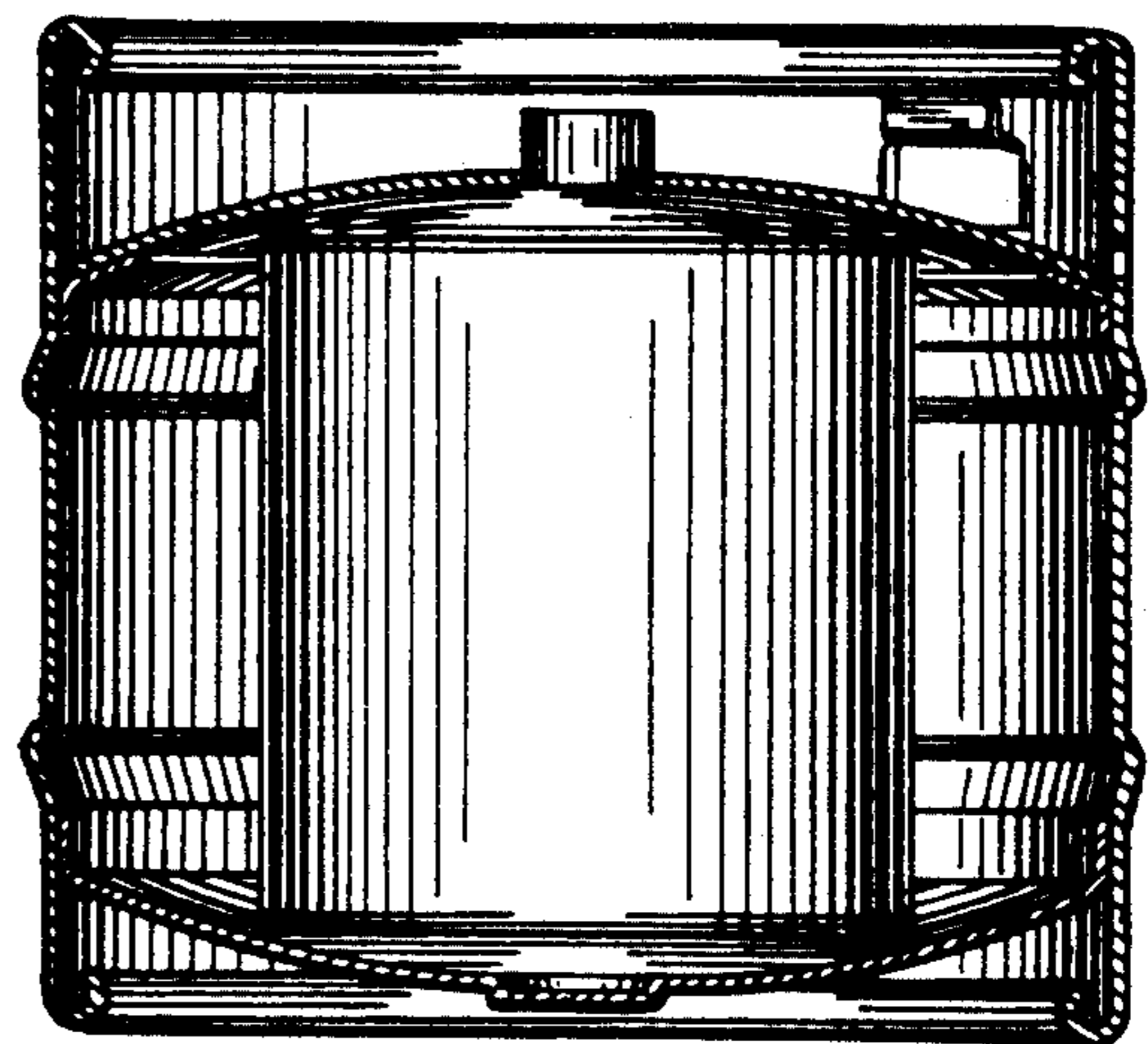
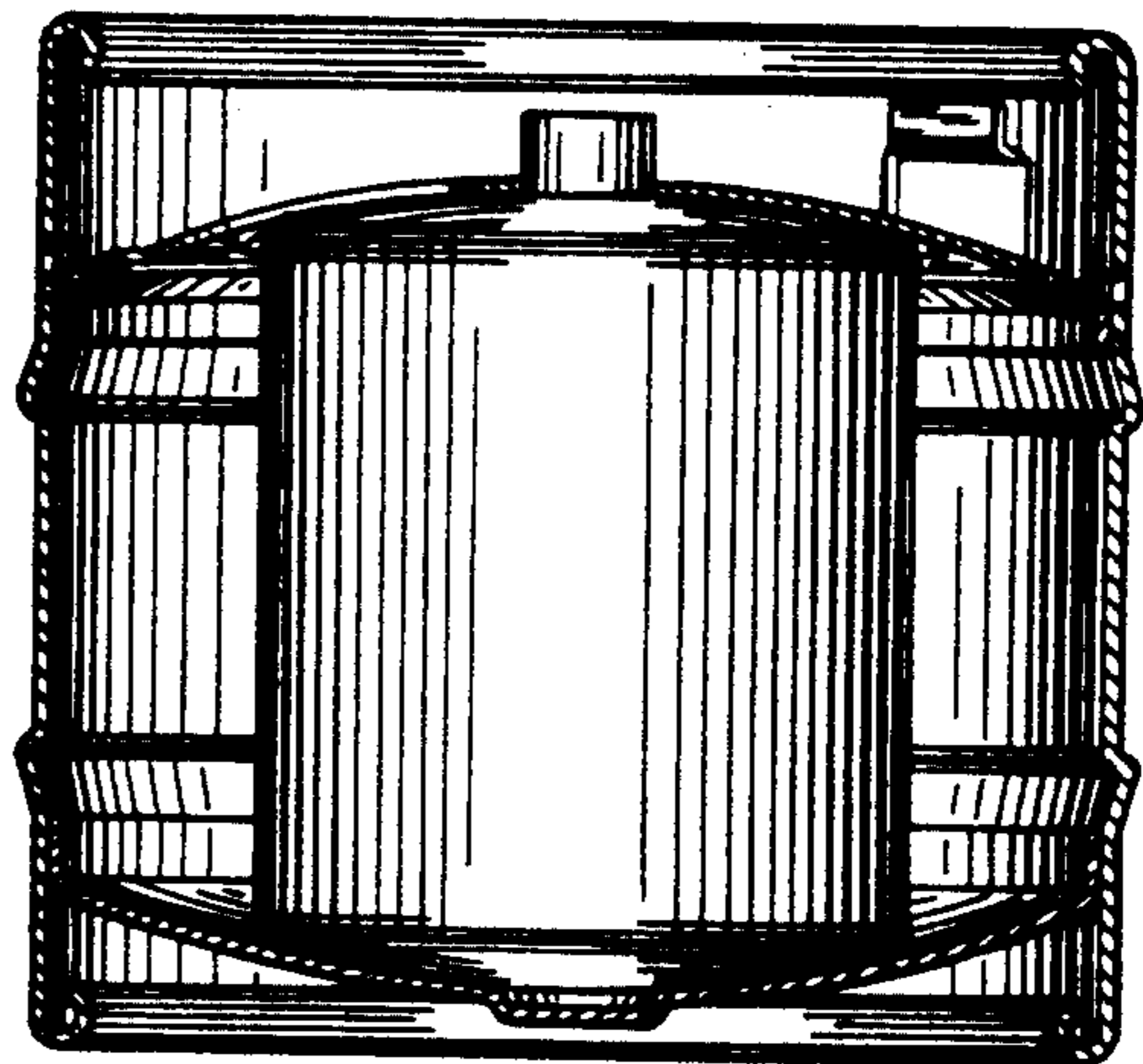
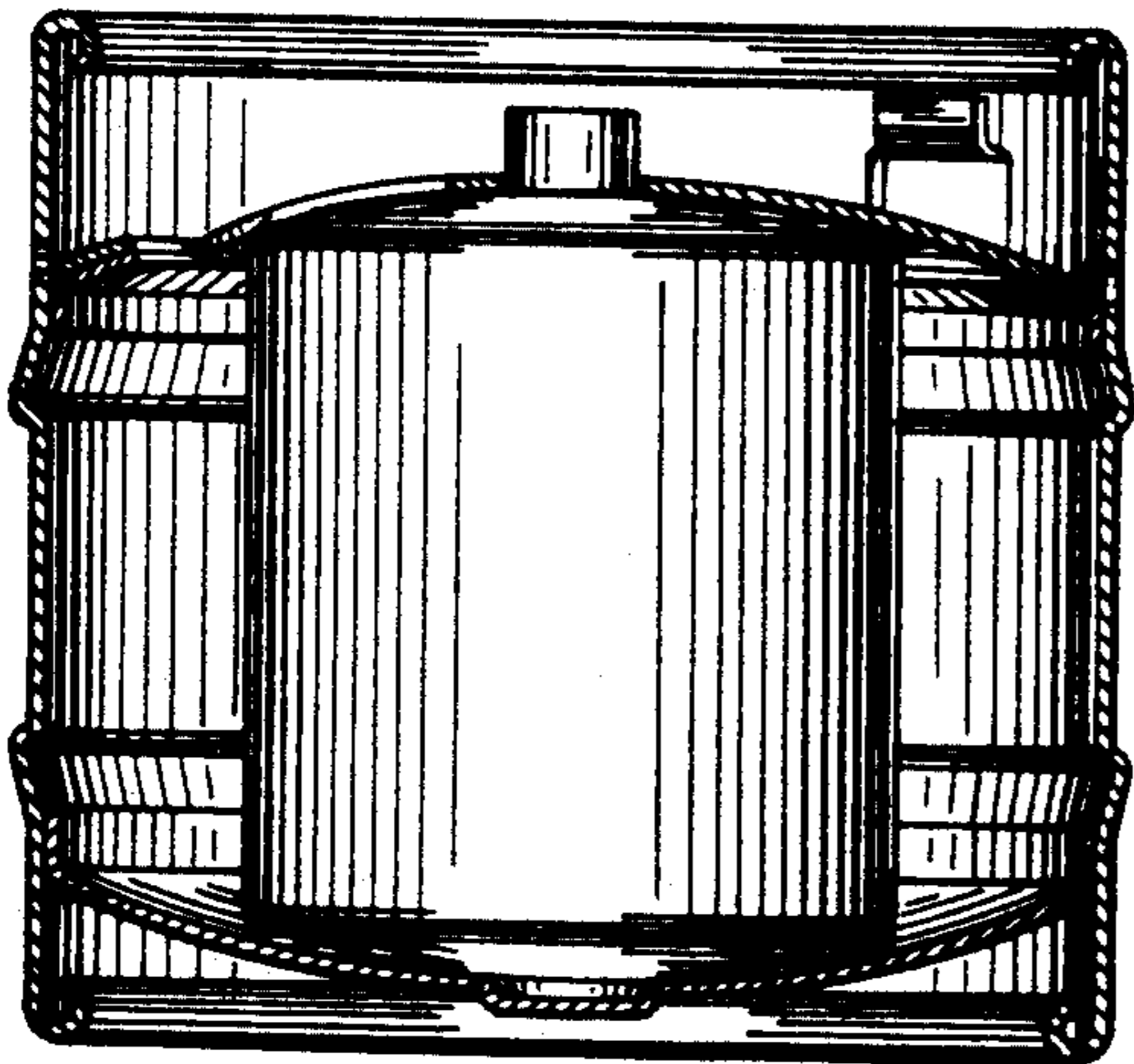
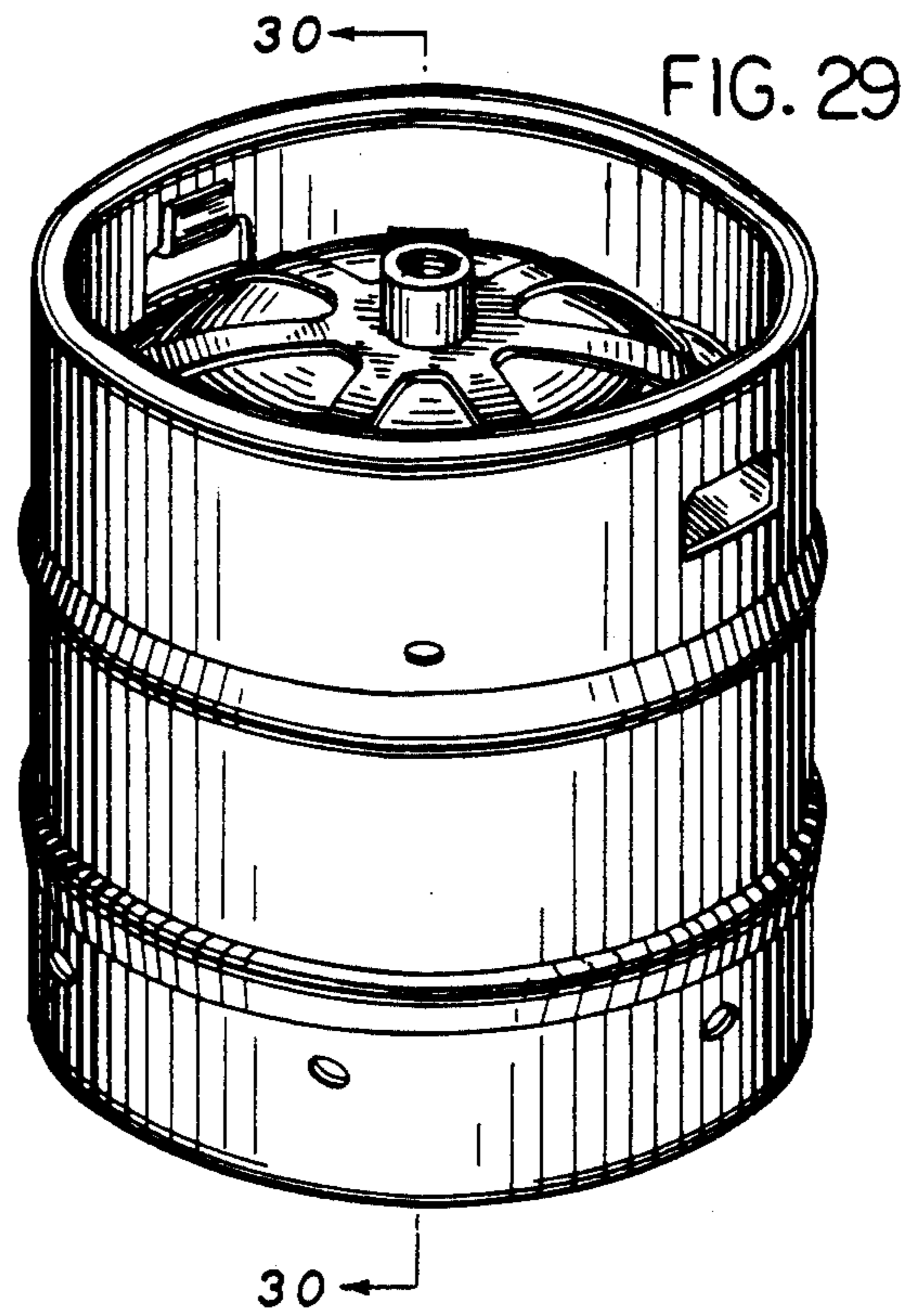
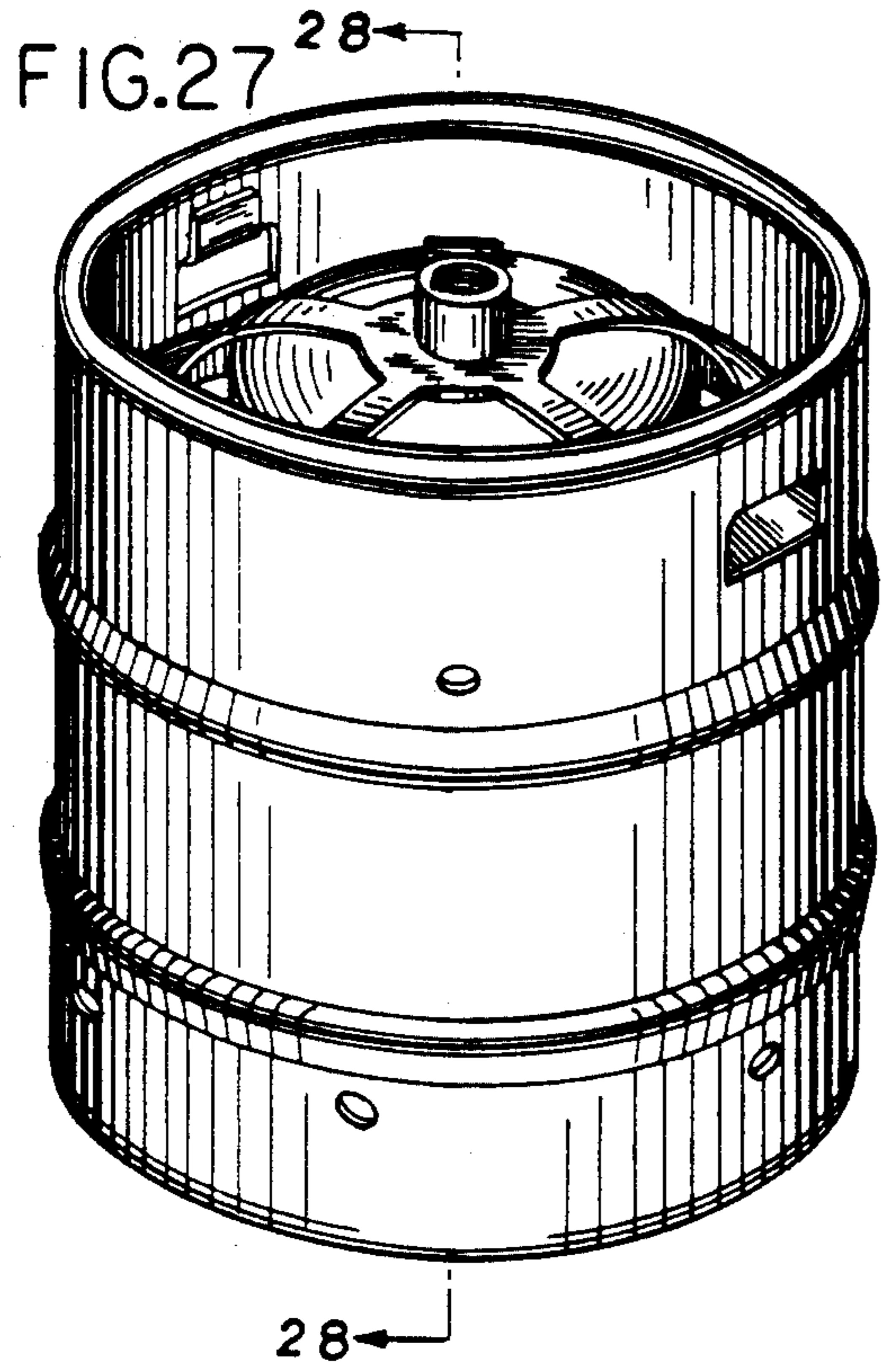


FIG. 26





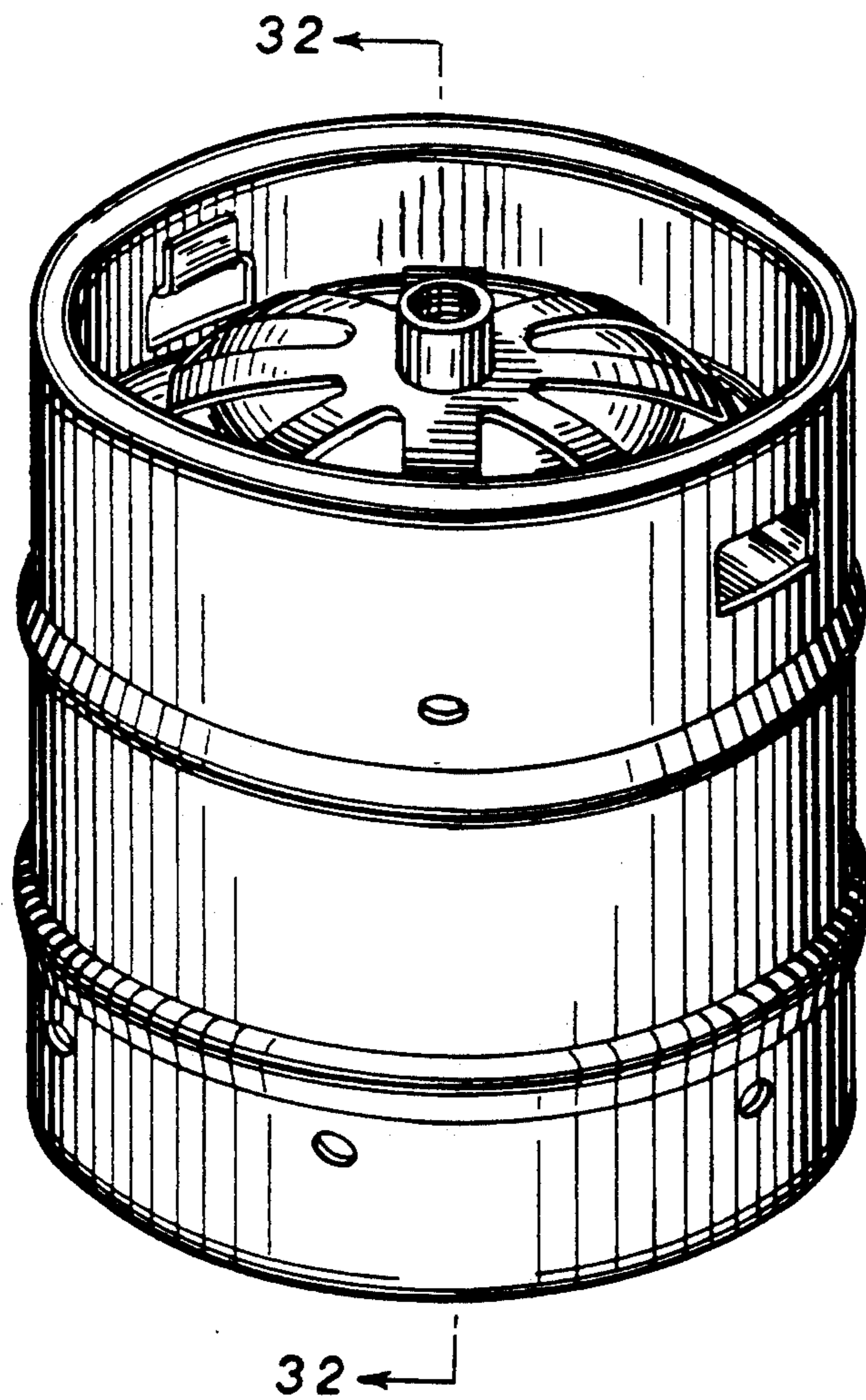


FIG. 31

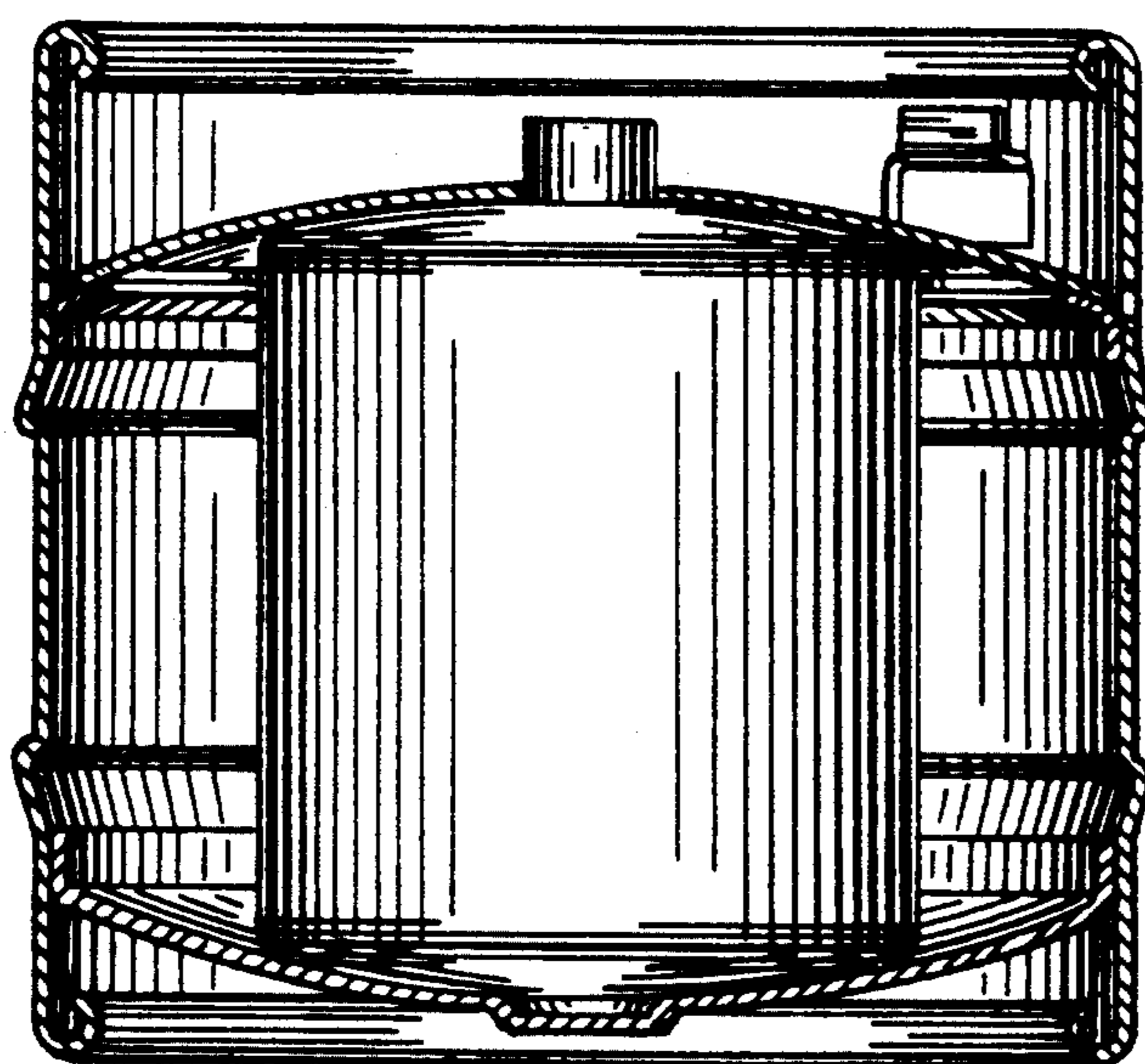


FIG. 32