



US00D336712S

United States Patent [19]
Ledingham

[11] **Patent Number: Des. 336,712**

[45] **Date of Patent: ** Jun. 22, 1993**

[54] **FLEXIBLE PLASTIC RETURN WAY FOR CONVEYOR CHAINS**

[75] **Inventor: Stuart J. Ledingham, Coto de Caza, Calif.**

[73] **Assignee: Valu Engineering, Inc., Irvine, Calif.**

[**] **Term: 14 Years**

[21] **Appl. No.: 611,362**

[22] **Filed: Nov. 9, 1990**

[52] **U.S. Cl. D34/29**

[58] **Field of Search D34/29; 198/841, 750; D25/119, 136; 52/290, 303**

[56] **References Cited**

U.S. PATENT DOCUMENTS

D. 27,757	10/1897	Bradley	D25/136 X
D. 135,948	7/1943	Caplan	D25/119 X
D. 231,592	5/1974	Vihma	D25/119
D. 274,559	7/1984	Rosner	D25/119
D. 285,685	9/1986	Winegard et al.	D25/119 X
D. 287,082	12/1986	Gambon	D25/119 X
D. 327,747	7/1992	Wilkening	D25/136
3,964,800	6/1976	Grimes et al.	.	
4,325,480	4/1982	Butt	.	
4,492,303	1/1985	Foster	198/750
5,054,605	10/1991	Bovis	198/750

OTHER PUBLICATIONS

1989 Catalog No. 10 by Marbett ® entitled "Conveyor Components," relating to wear strips and spacers. Engineering Manual by Rexnord relating to table top chains.

WP Series Moulding Patterns, 1967, p. 7, Moulding item WP 217 on right side of page.

Sweets Catalog, 1984, p. 3, Mouldings, item 28, located at top of page.

Sweet Catalog, 1984, p. 2, Mouldings item 13, located near bottom of page.

Methods & Materials of Residential Construction, 1981, p. 238, moulding, item 1, located at top of page.

New Equipment Digest, Jun. 1990, p. 103, plastic guide rails, located at right side of page.

Primary Examiner—Wallace R. Burke

Assistant Examiner—H. Baynham

Attorney, Agent, or Firm—Knobbe, Martens, Olson & Bear

[57] **CLAIM**

The ornamental design for a flexible plastic return way for conveyor chains, shown and described.

DESCRIPTION

FIG. 1 is a partial isometric view of a flexible plastic return way for conveyor chains, embodying my new design;

FIG. 2 is an end view of either end thereof;

FIG. 3 is a side view of either side thereof; and,

FIG. 4 is a bottom view thereof.

The claimed article is partially shown to indicate indeterminate length.

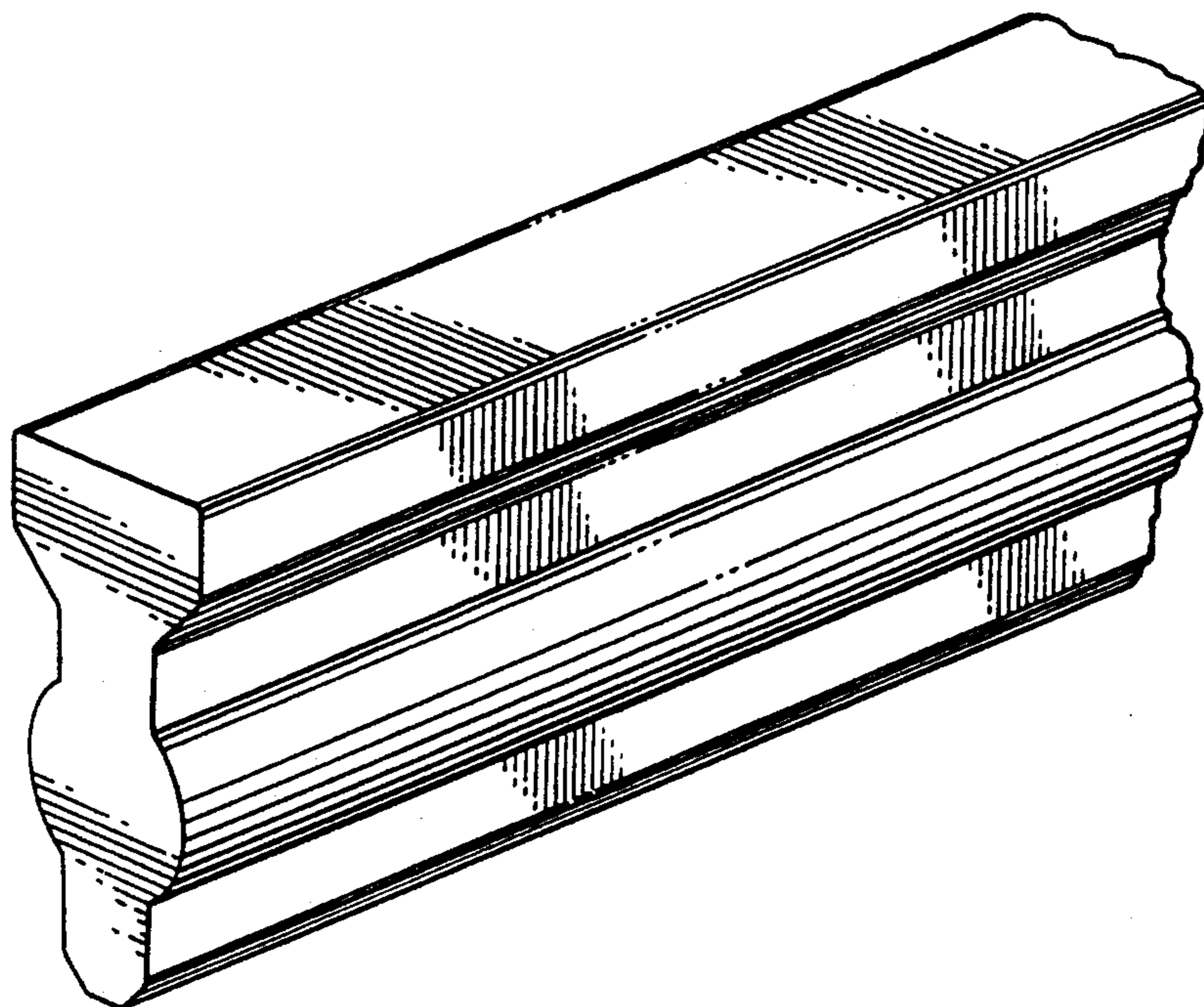


FIG. 1.

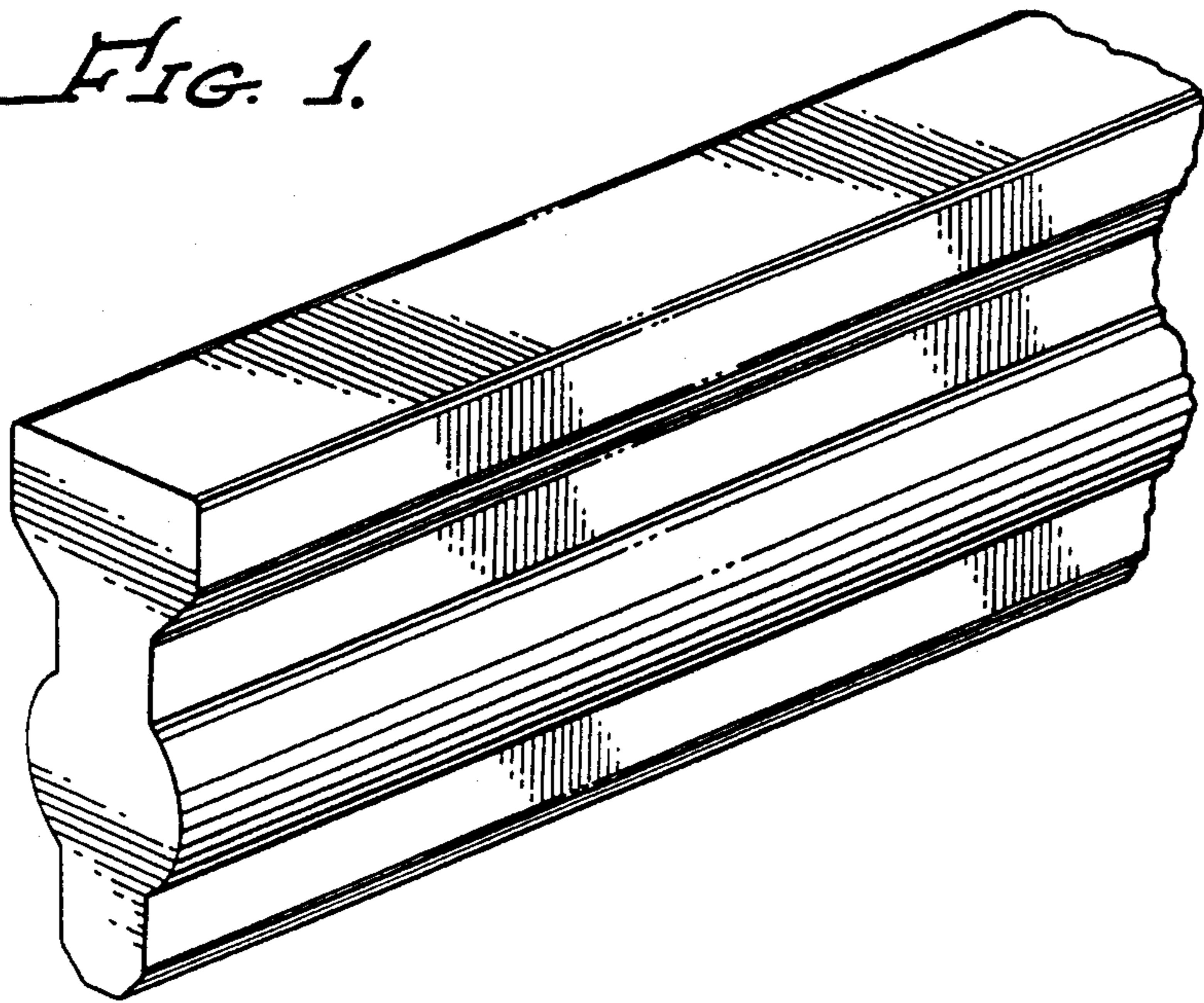


FIG. 2.

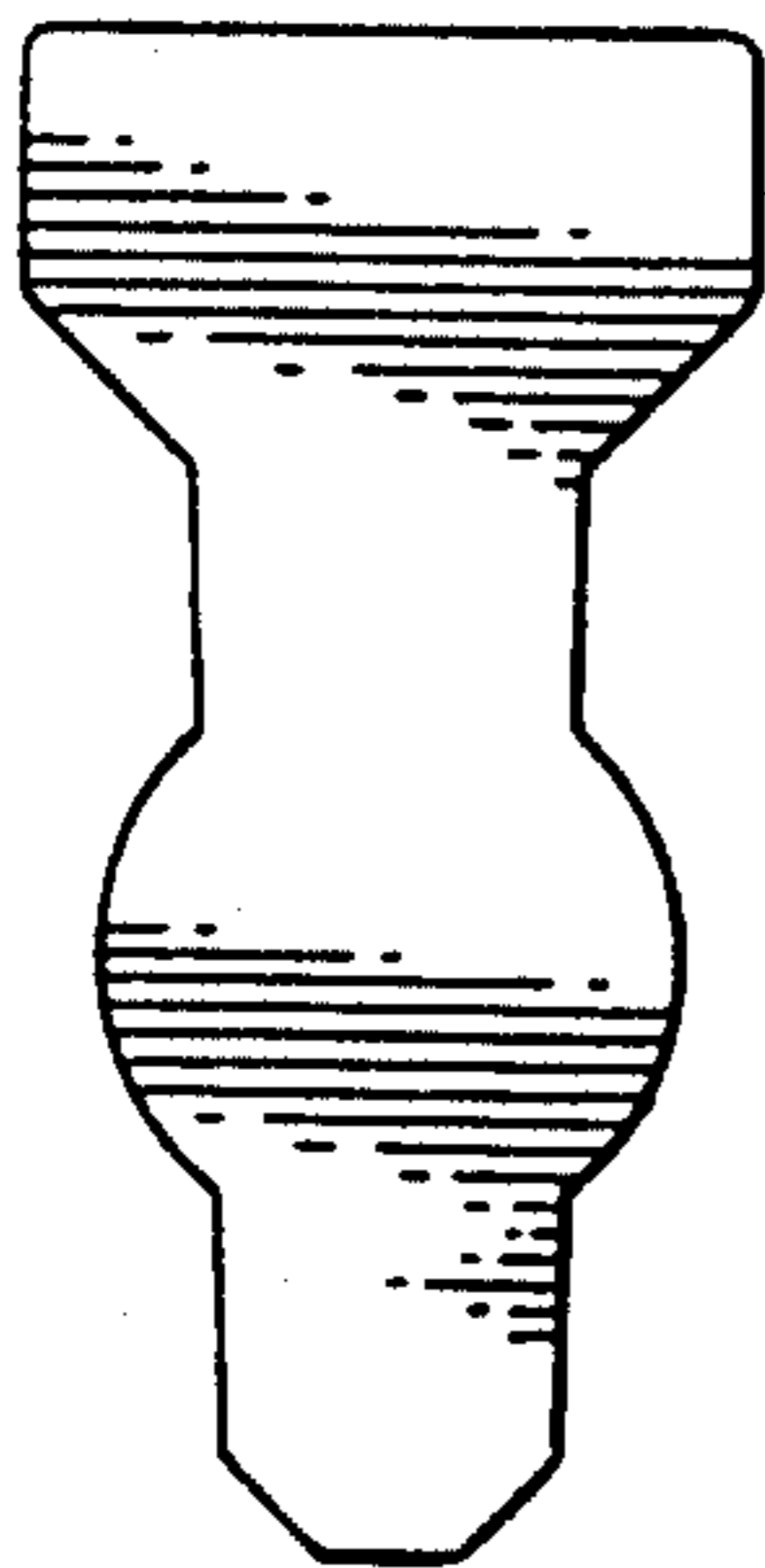


FIG. 3.

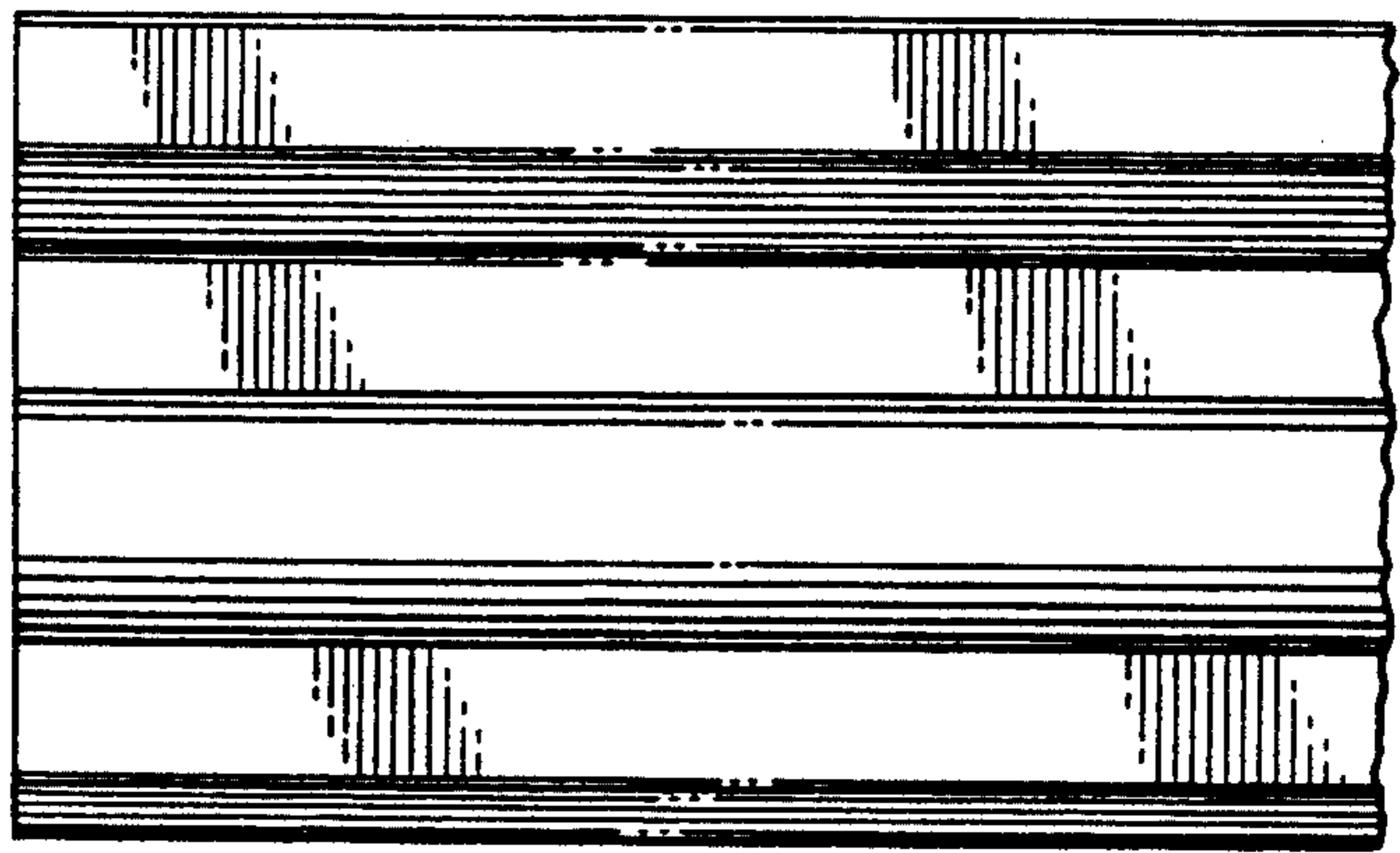


FIG. 4.

