



US00D336710S

United States Patent [19]
Kinnaman

[11] **Patent Number: Des. 336,710**

[45] **Date of Patent: ** Jun. 22, 1993**

[54] **STAIR CLIMBING HAND CART**

2,770,310 11/1956 Gates 280/5.22
3,149,688 9/1964 Russell 180/9.22
4,681,330 7/1987 Misawa 280/47.27

[76] **Inventor: Allen H. Kinnaman, Rte. 1, Box
424-H, Longview, Tex. 75602**

Primary Examiner—Kay H. Chin

[**] **Term: 14 Years**

[57] **CLAIM**

[21] **Appl. No.: 761,615**

The ornamental design for a stair climbing hand cart, as shown and described.

[22] **Filed: Sep. 18, 1991**

DESCRIPTION

[52] **U.S. Cl. D34/26; D34/18**

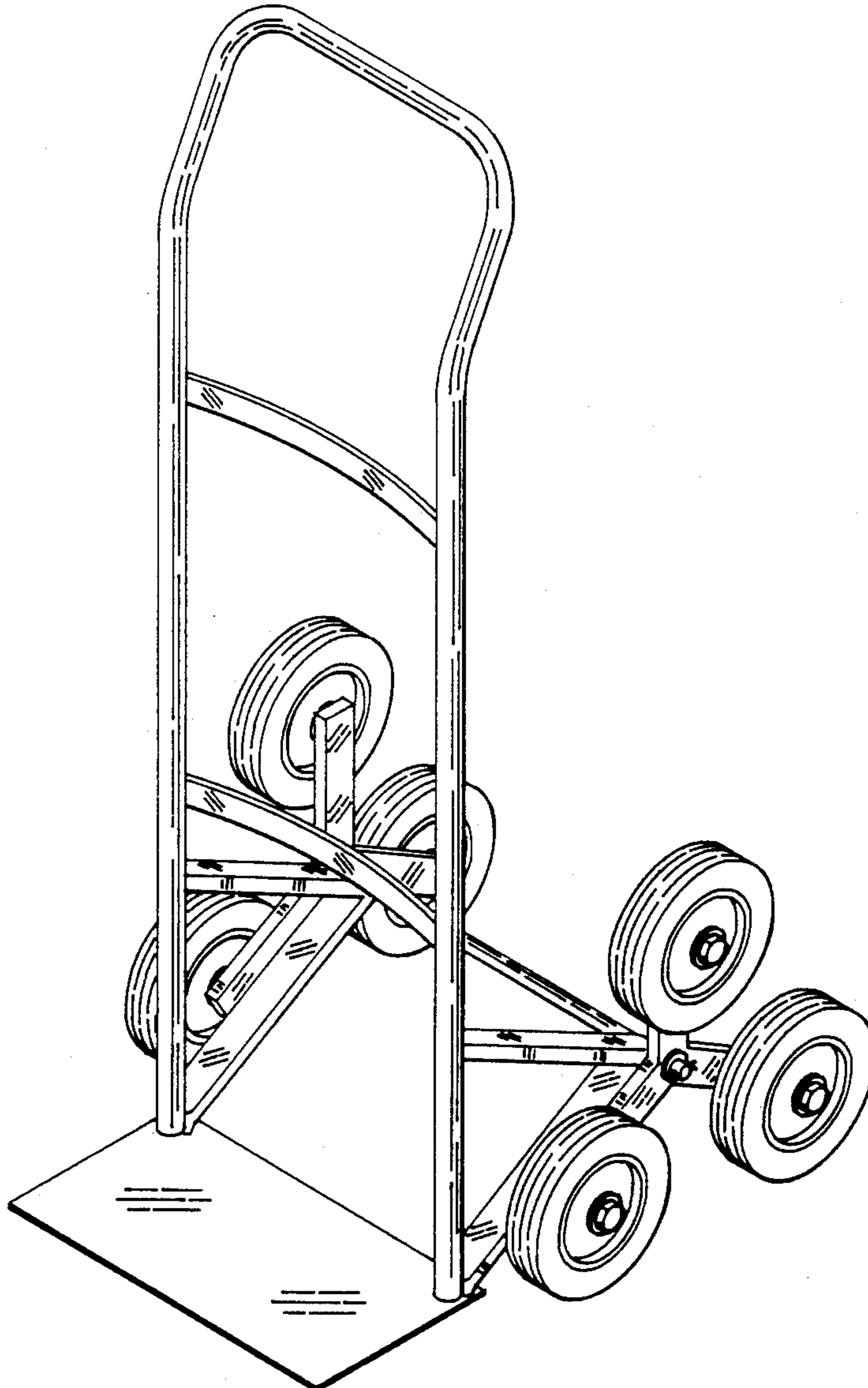
[58] **Field of Search D34/12, 26, 28, 18;
280/5.22, 47.27, 47.2, 47.21; 180/9.22, 9.3**

FIG. 1 is a perspective view of the invention;
FIG. 2 is a front elevation view of the invention;
FIG. 3 is a rear elevation view of the invention;
FIG. 4 is a left side elevation view of the invention, the left side elevation view being a mirror image thereof;
FIG. 5 is a top plan view of the invention; and,
FIG. 6 is a bottom plan view of the invention.

[56] **References Cited**

U.S. PATENT DOCUMENTS

2,715,533 8/1955 Strausburg 280/5.22



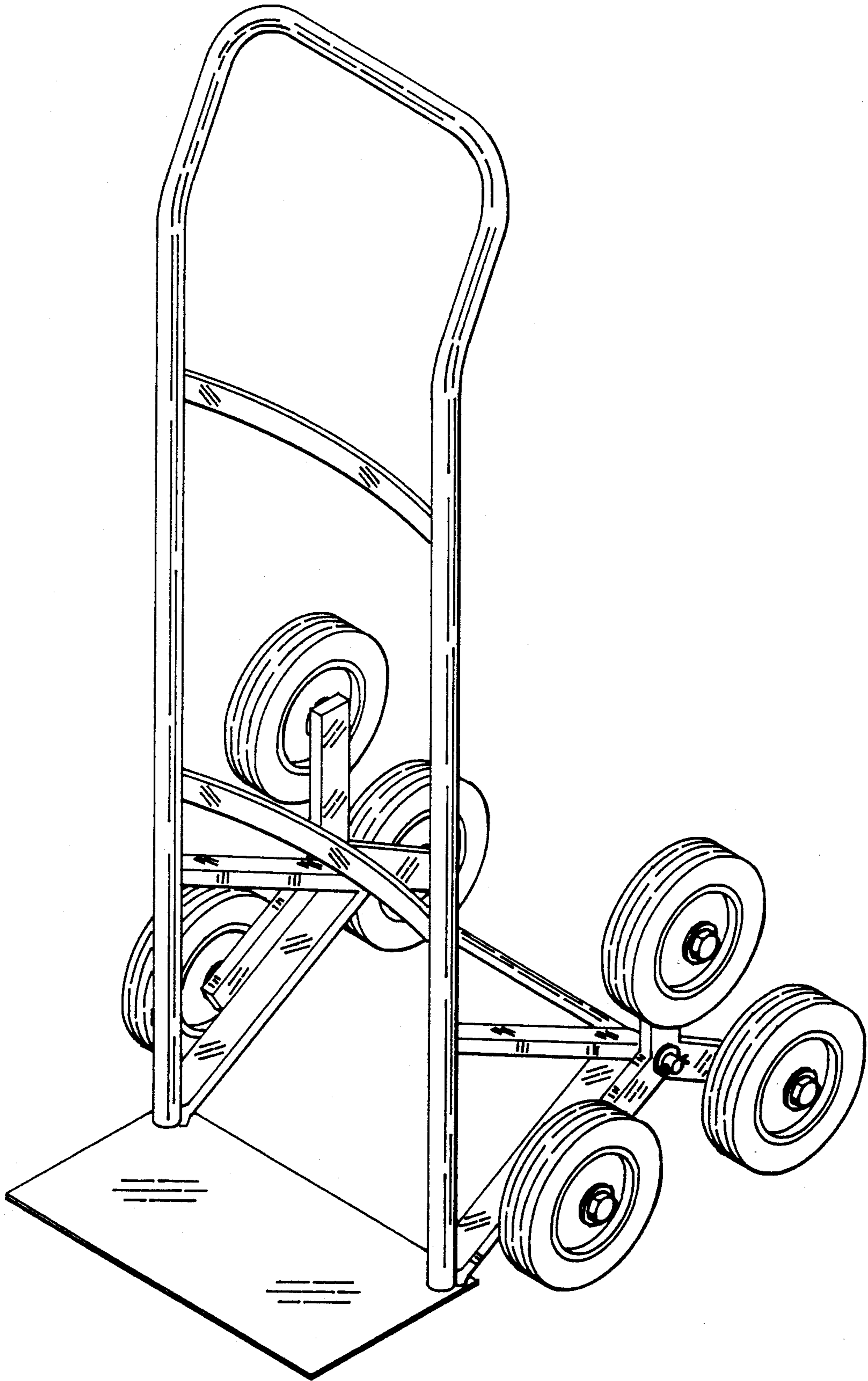


FIG. 1

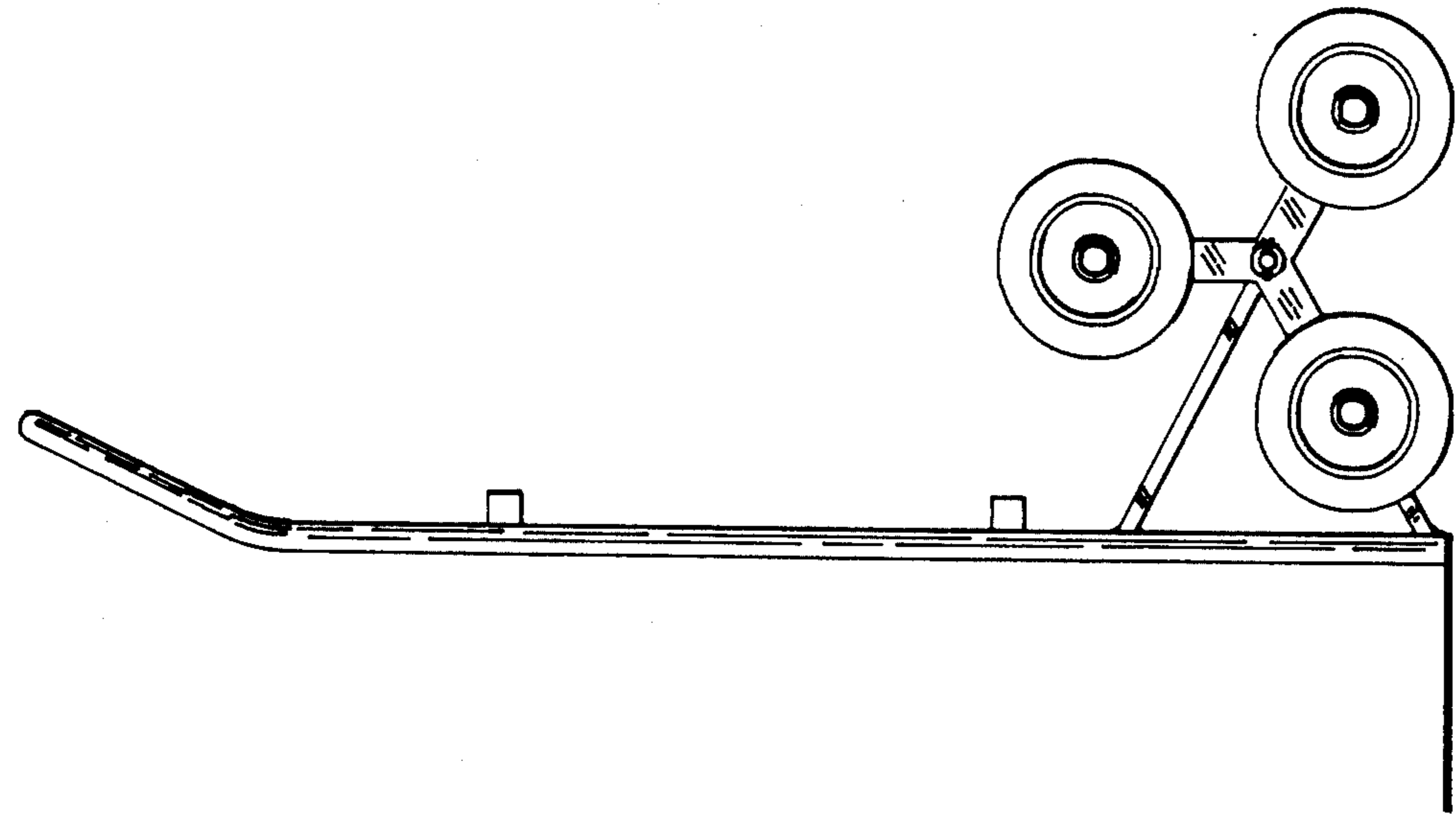


FIG. 4

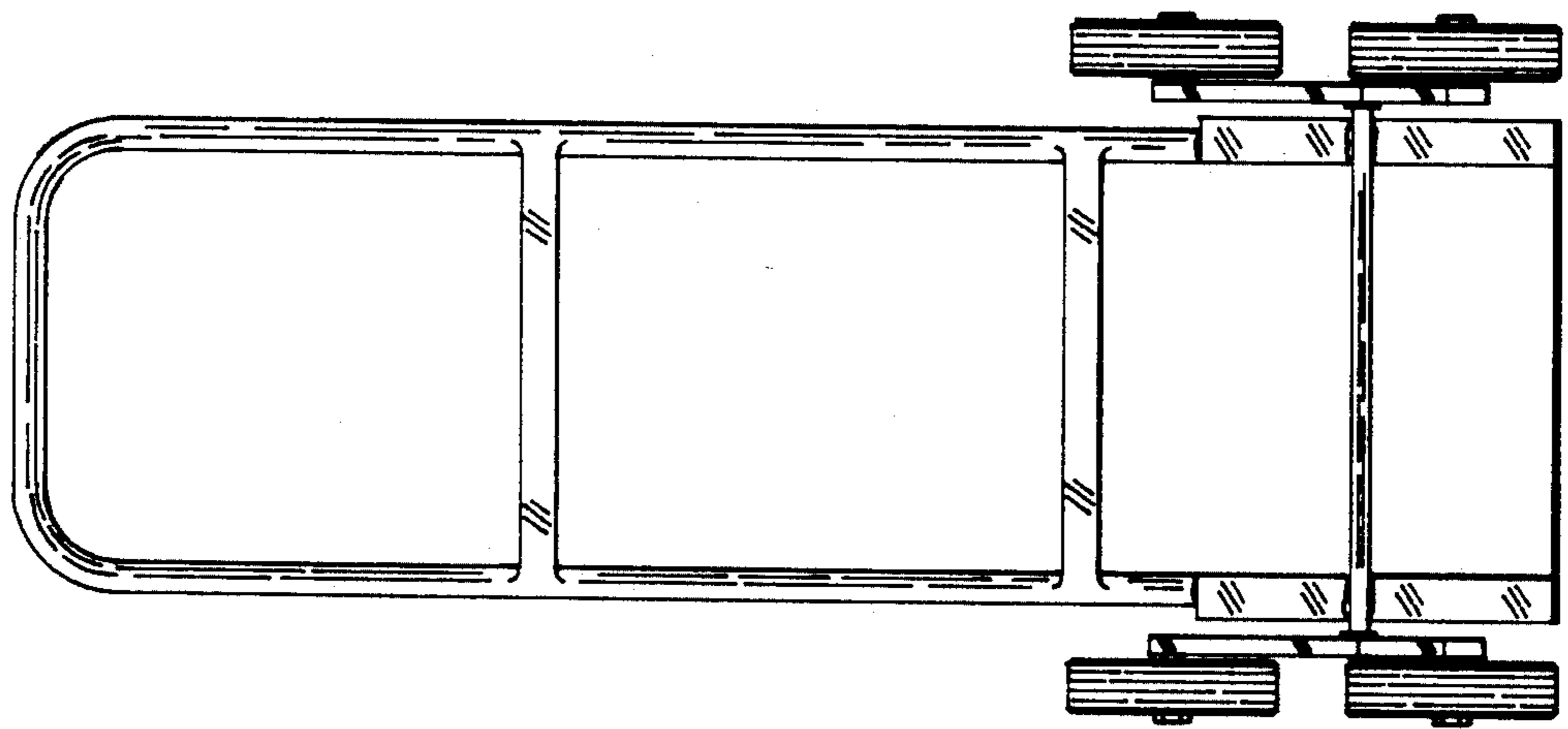


FIG. 3

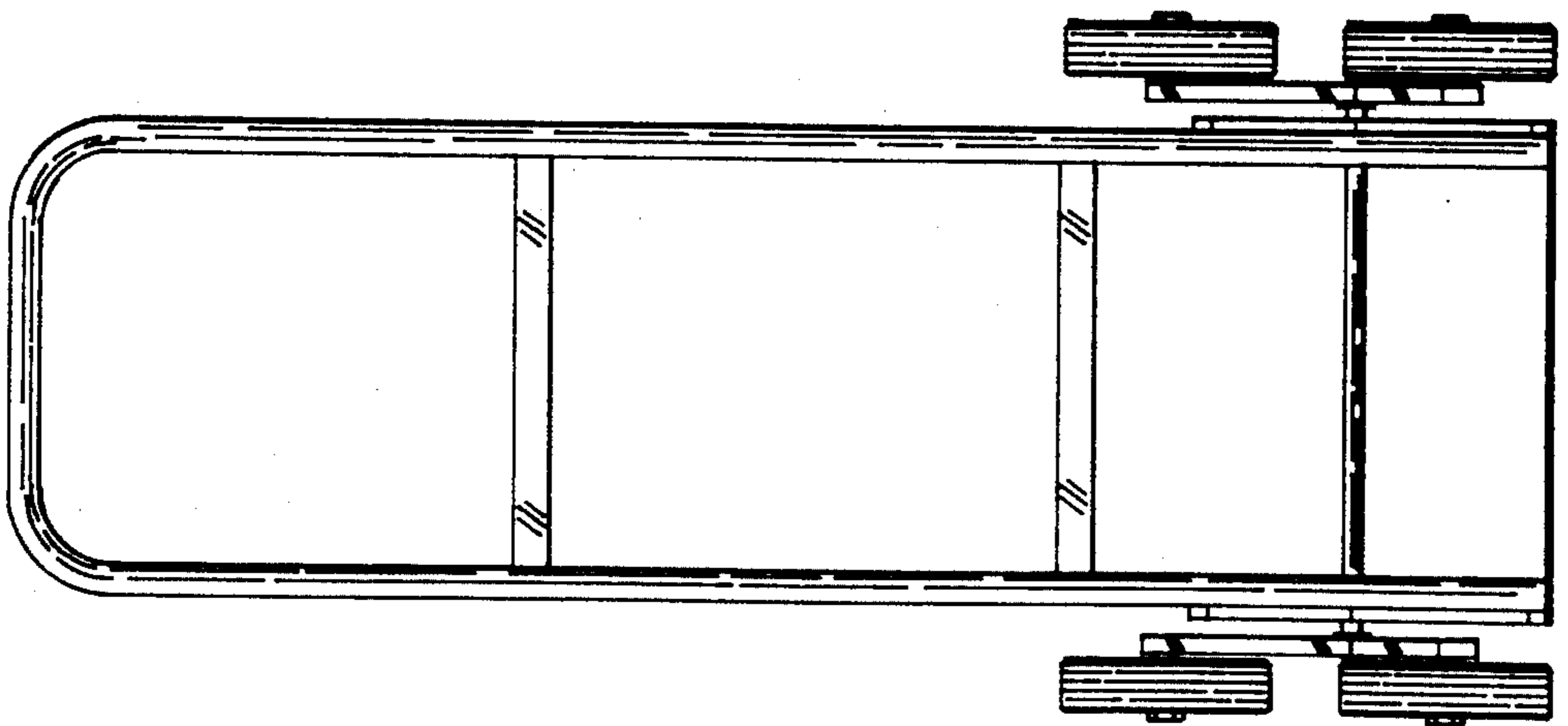


FIG. 2

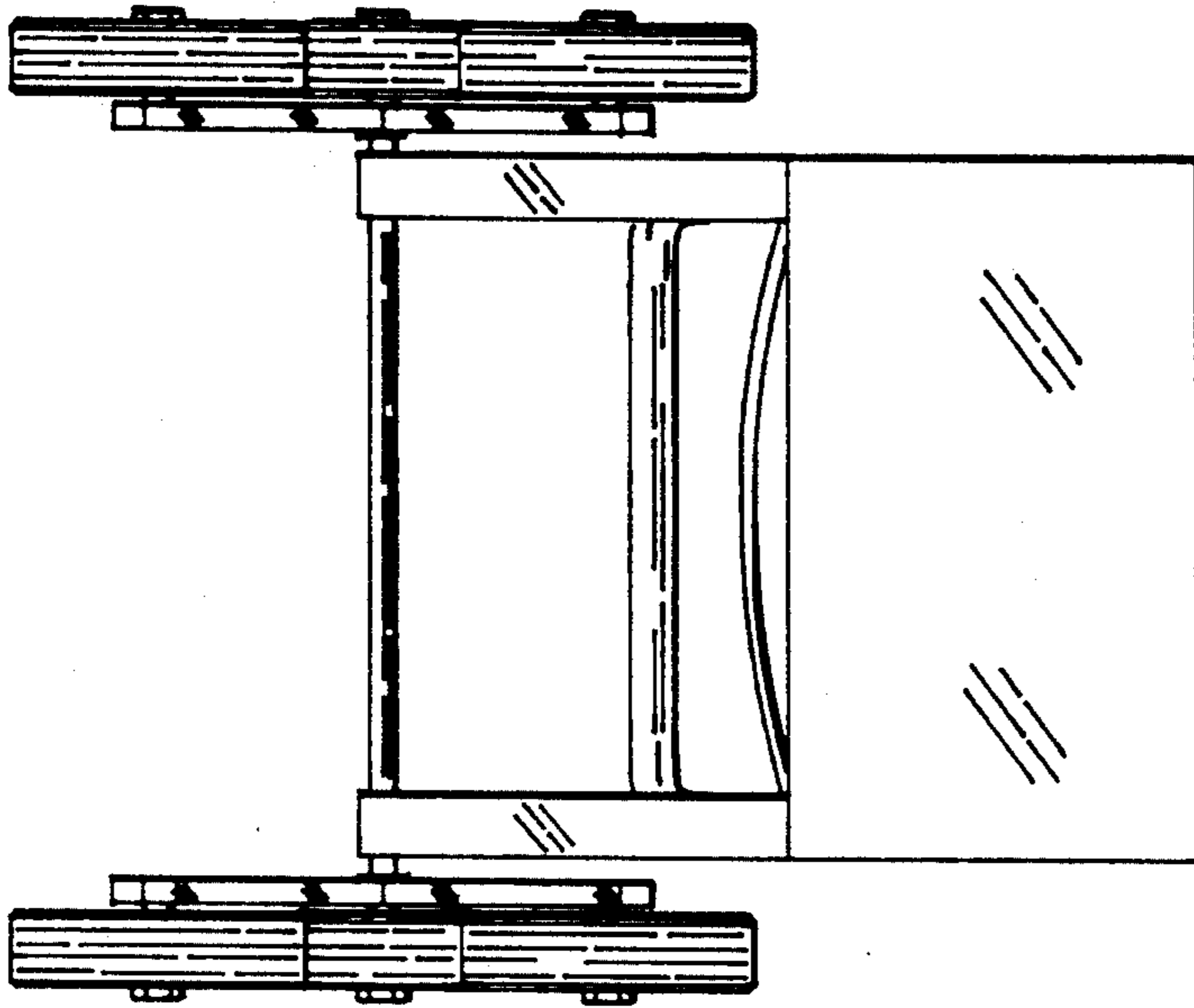


FIG. 6

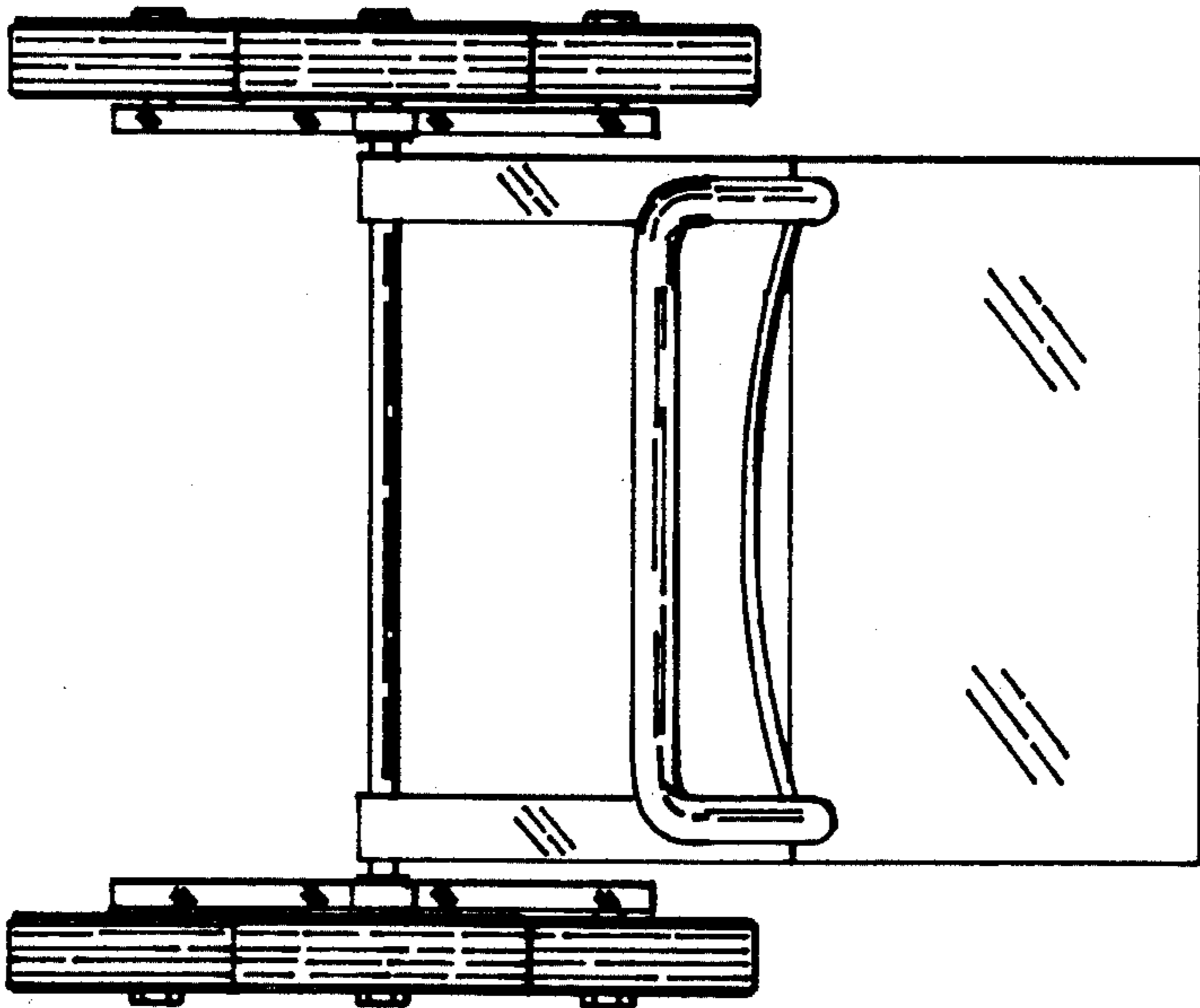


FIG. 5