



US00D336708S

United States Patent [19]
Boughey

[11] **Patent Number: Des. 336,708**
[45] **Date of Patent: ** Jun. 22, 1993**

[54] **DUAL LEVEL TOOL TRAY**

[76] **Inventor: Kenneth Boughey, 314 N. First St.,
Laurens, Iowa 50554**

[**] **Term: 14 Years**

[21] **Appl. No.: 801,179**

[22] **Filed: Dec. 2, 1991**

[52] **U.S. Cl. D34/21; D6/461**

[58] **Field of Search D34/12, 17, 23, 21;
248/159; 108/28, 27; D6/461, 455, 479**

[56] **References Cited**

U.S. PATENT DOCUMENTS

1,900,610 3/1933 Mullins D6/479
4,119,044 10/1978 Hines 108/28

Primary Examiner—Kay H. Chin

Attorney, Agent, or Firm—G. Brian Pingel

[57] **CLAIM**

The ornamental design for a dual level tool tray, as shown and described.

DESCRIPTION

FIG. 1 is a front perspective view of a dual level tool tray showing my new design as seen from an upper vantage point;

FIG. 2 is a top plan view thereof;

FIG. 3 is a side elevation view thereof;

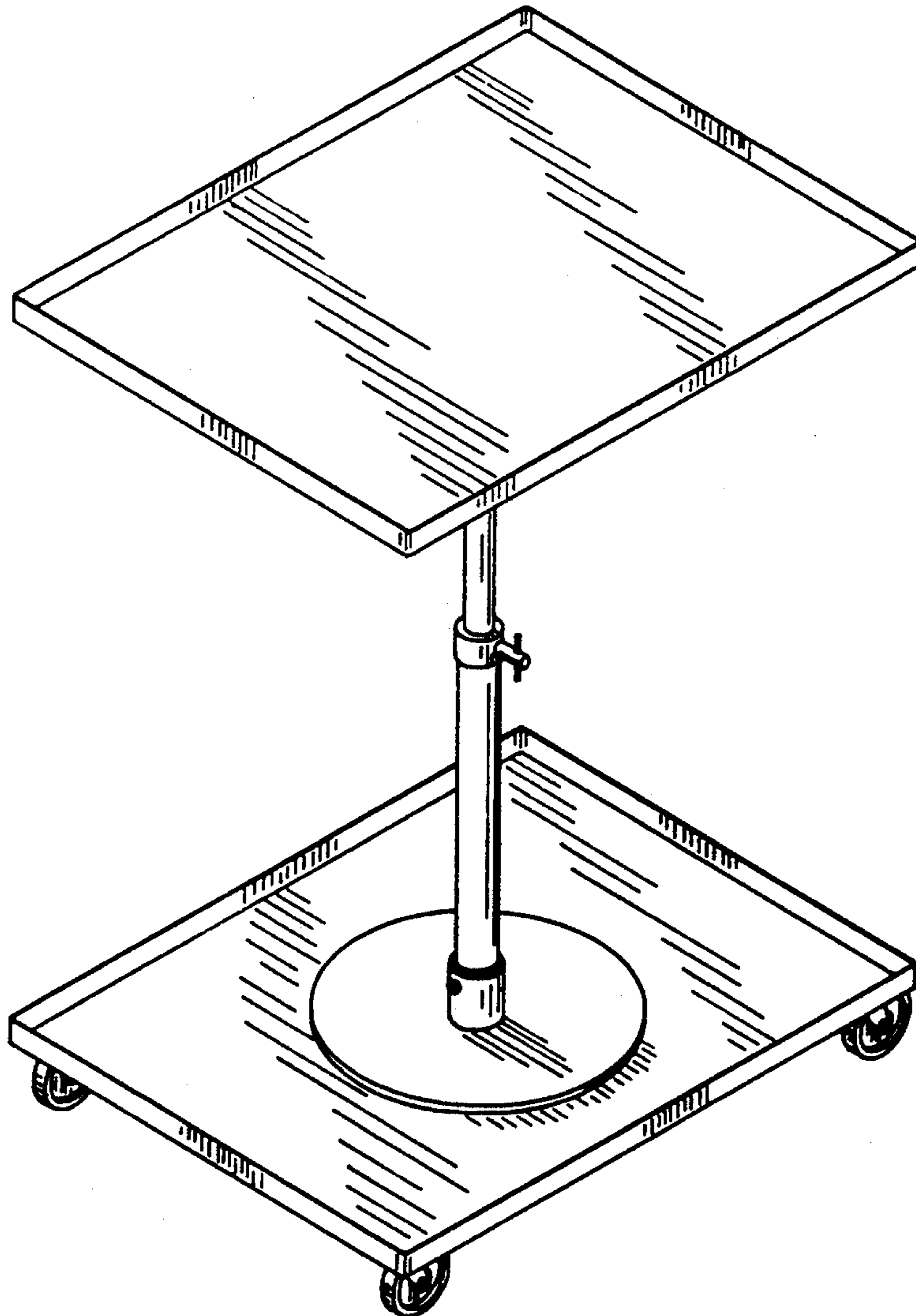
FIG. 4 is a front elevation view thereof;

FIG. 5 is a rear elevation view thereof;

FIG. 6 is a right side elevation view thereof;

FIG. 7 is a bottom view thereof; and,

FIG. 8 is a front perspective view thereof as seen from a lower viewing point.



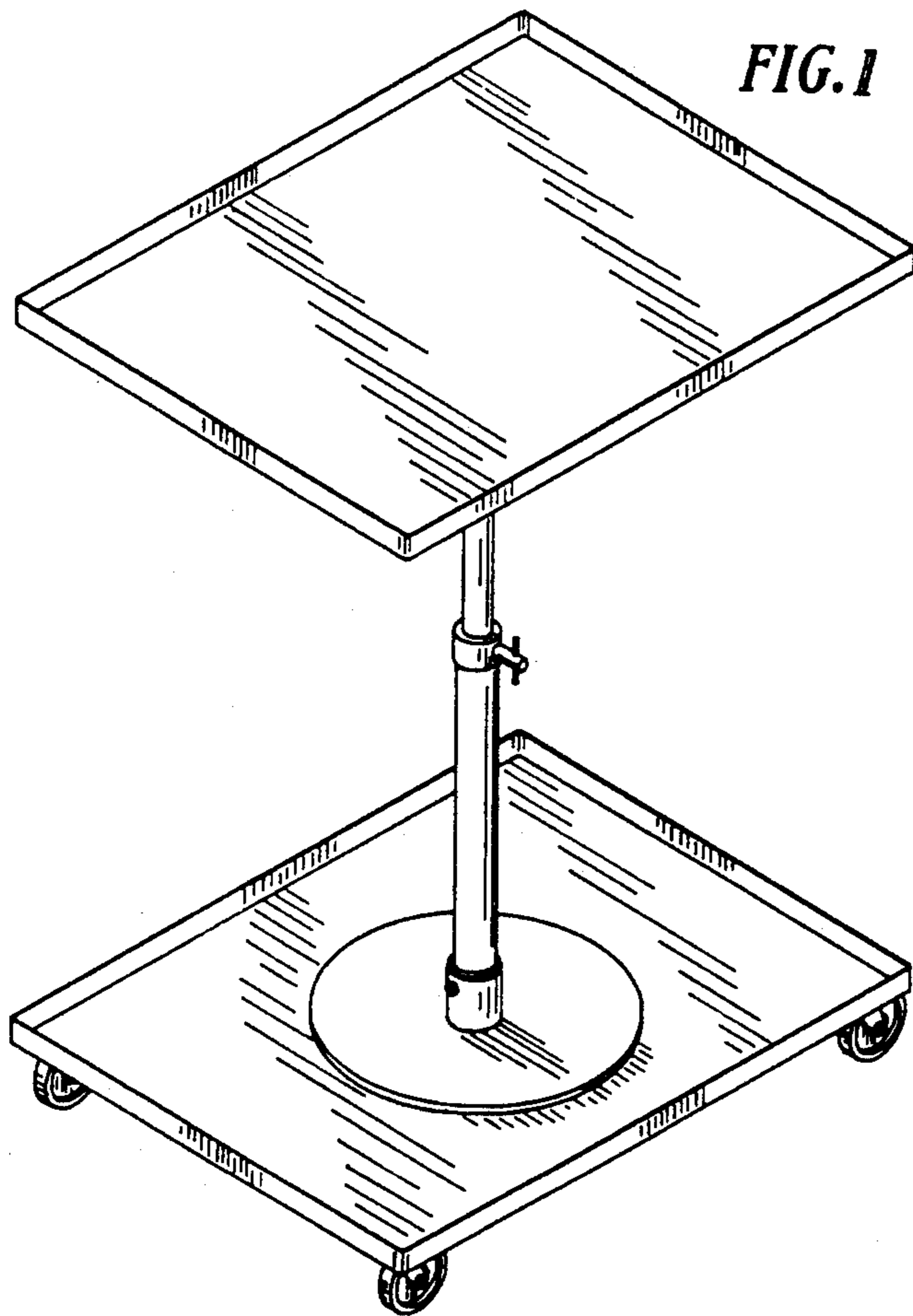


FIG. 2

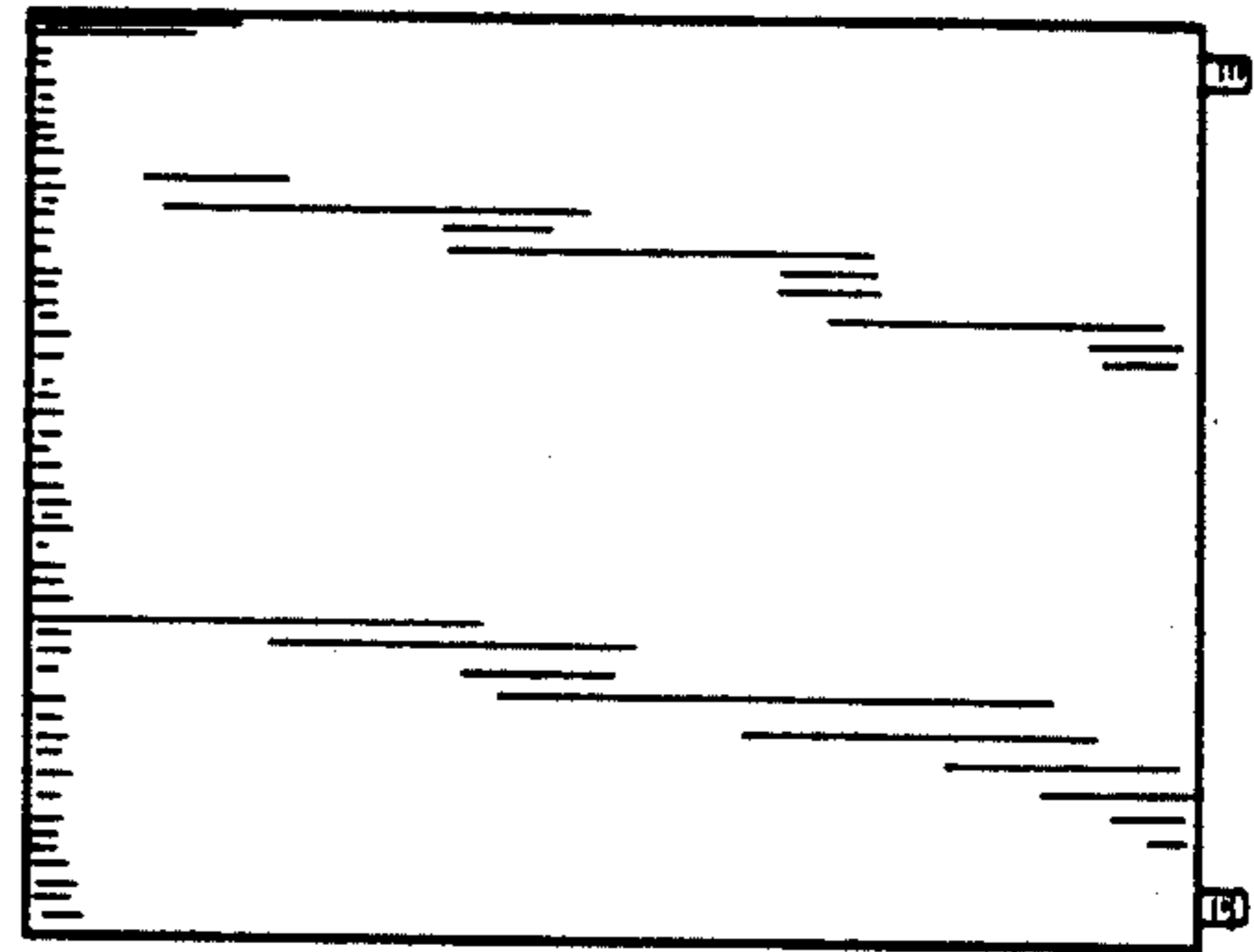


FIG. 3

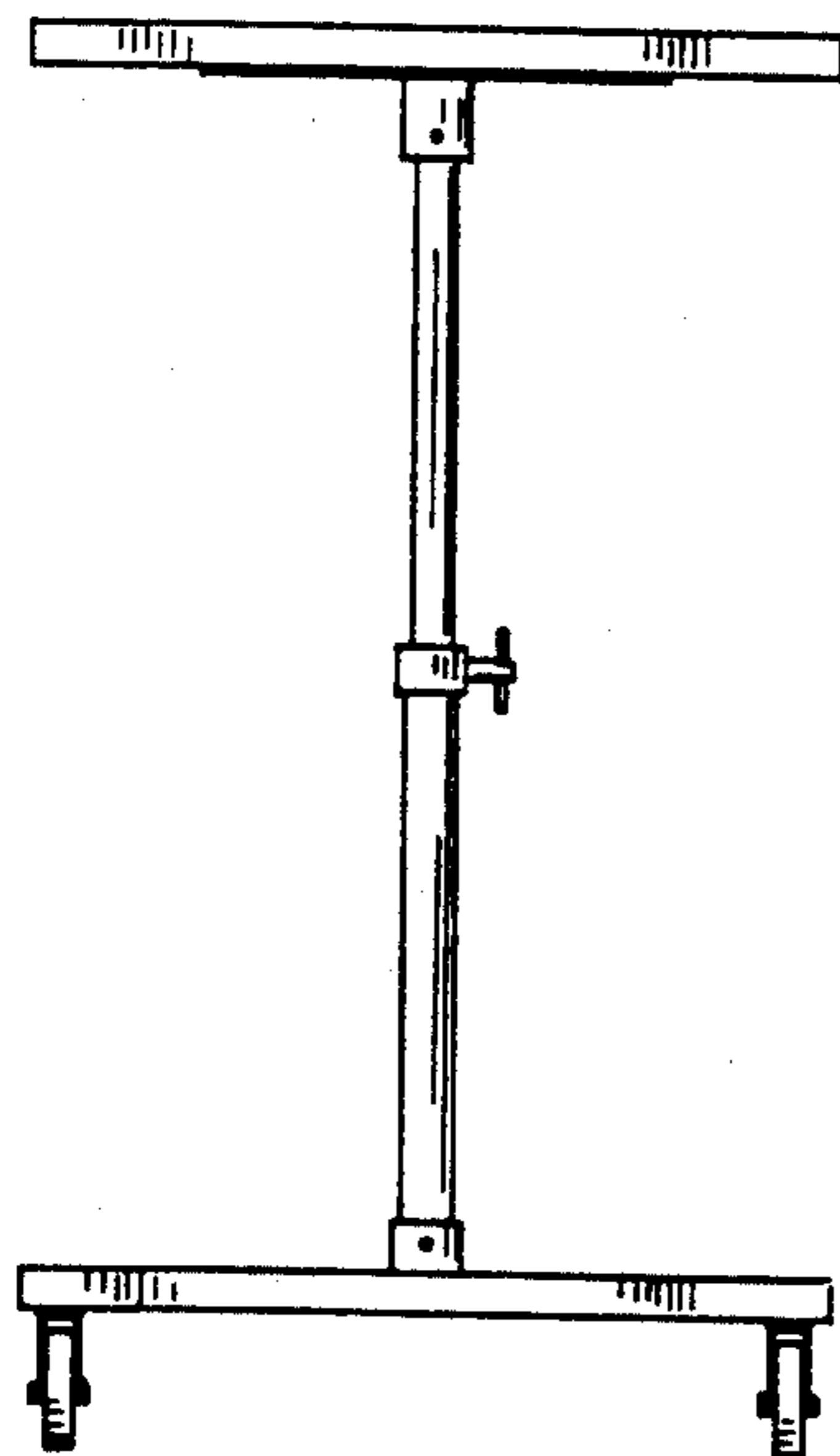


FIG. 4

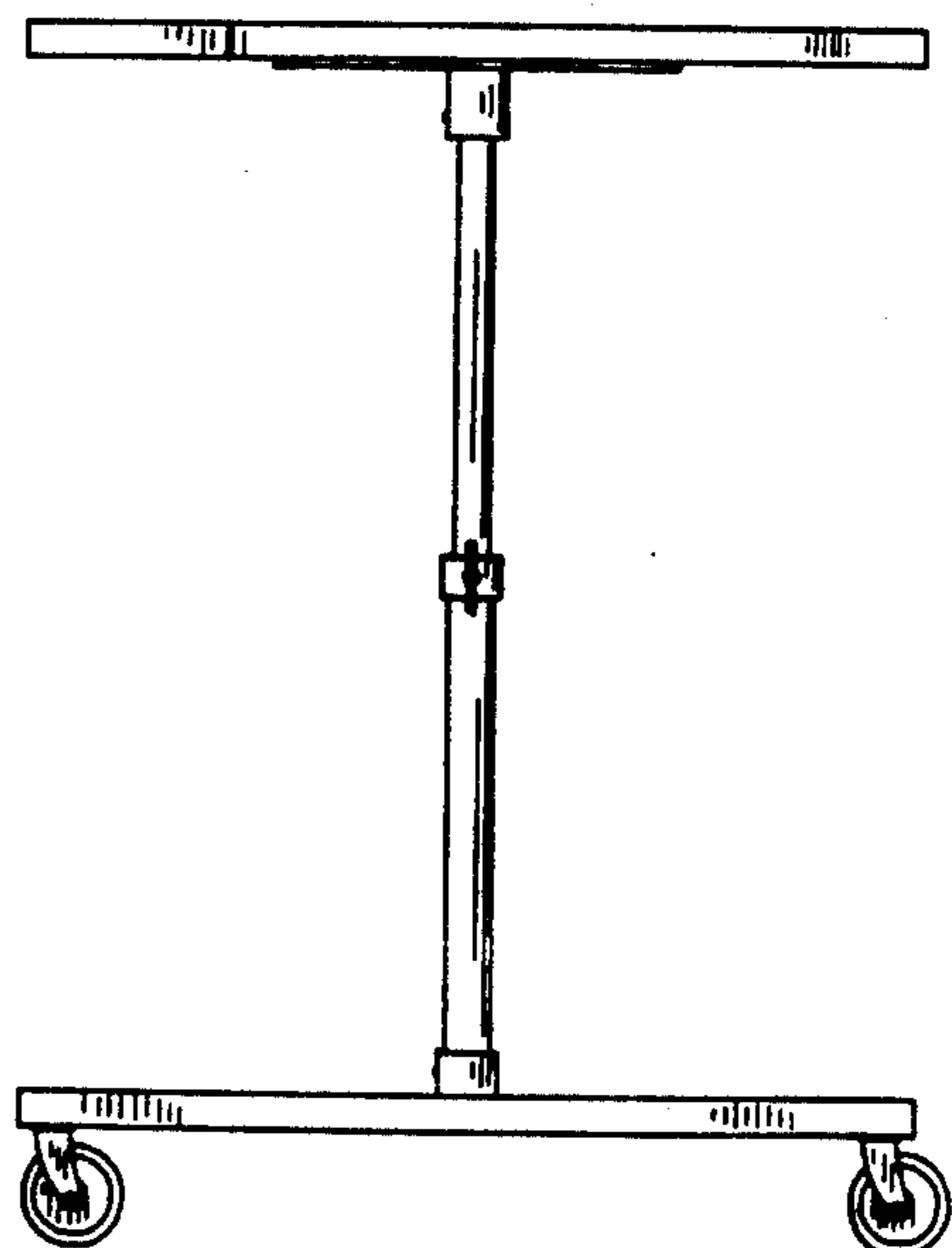


FIG. 5

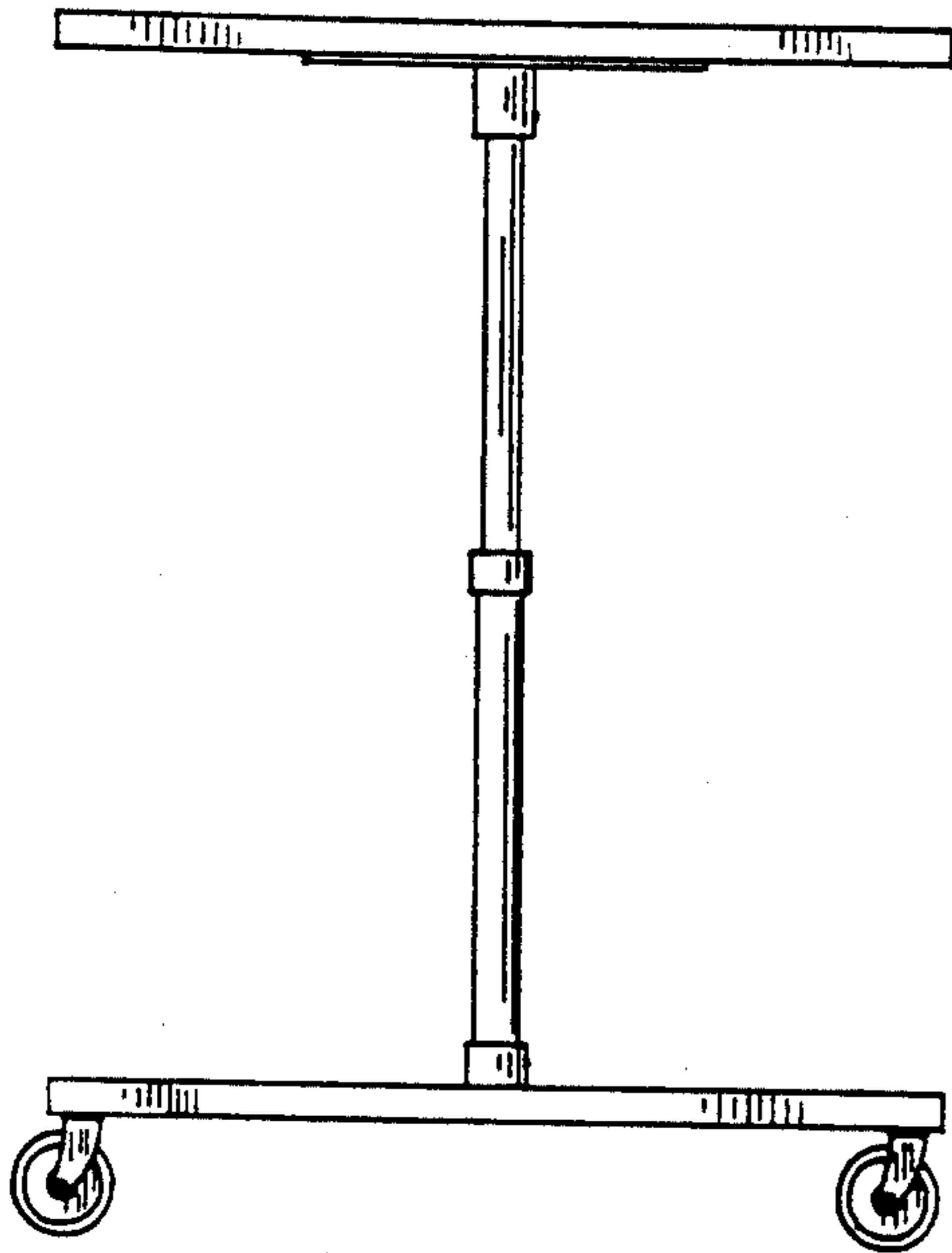


FIG. 6

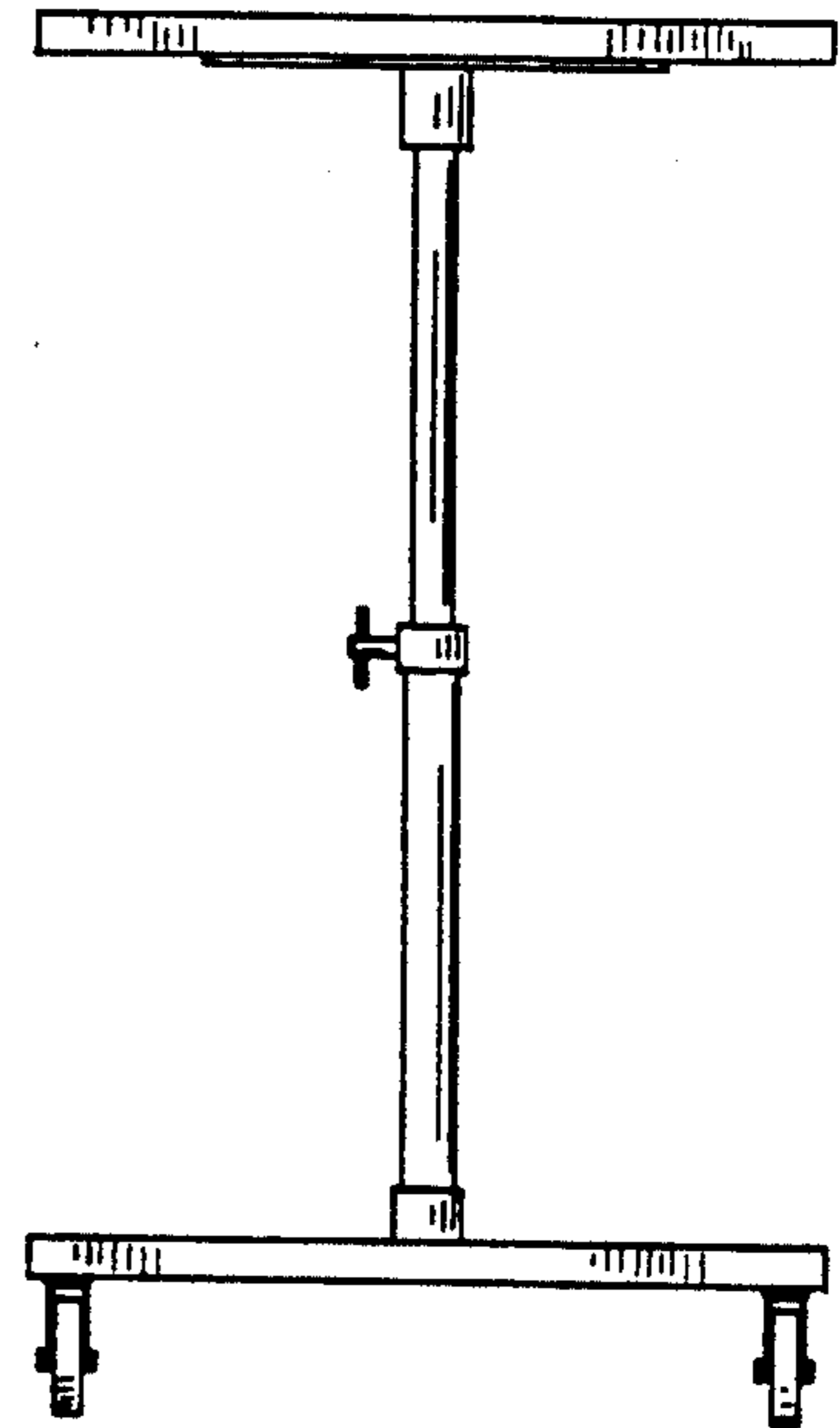


FIG. 8

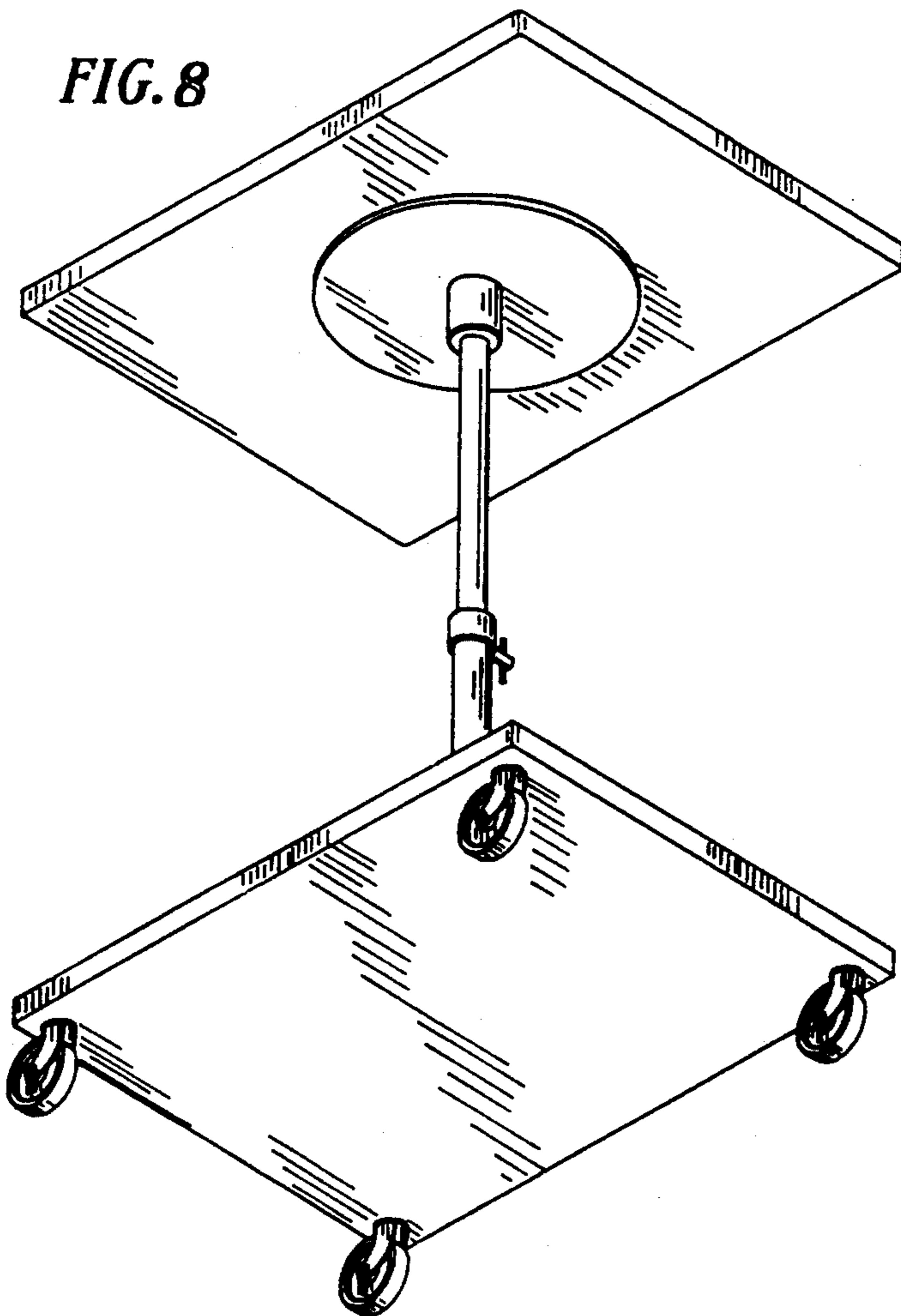


FIG. 7

