



US00D336706S

United States Patent [19]

[11] Patent Number: **Des. 336,706**

Lechman et al.

[45] Date of Patent: **** Jun. 22, 1993**

- [54] **STORAGE CART**
- [75] Inventors: **John N. Lechman; Thomas Wegman,**
both of Effingham, Ill.
- [73] Assignee: **Nova Office Furniture, Inc.,**
Effingham, Ill.
- [**] Term: **14 Years**
- [21] Appl. No.: **653,443**
- [22] Filed: **Feb. 5, 1991**
- [52] U.S. Cl. **D34/20; D34/19**
- [58] Field of Search **D34/12, 17, 19, 20,**
D34/21, 23; 280/47.35, 79.11; 312/209, 216,
250, 311; D6/470, 471

4,114,965	9/1978	Oye et al.	312/209
4,790,610	12/1988	Welch et al.	312/209
4,811,999	3/1989	Remington et al.	312/250

Primary Examiner—Kay H. Chin
Attorney, Agent, or Firm—Olson & Hierl, Ltd.

[57] CLAIM

The ornamental design for a storage cart, as shown and described.

DESCRIPTION

FIG. 1 is a top perspective view of a storage cart showing our new design, with the top drawer shown in an extended condition;

FIG. 2 is a side elevational view thereof, the opposite side elevational view being a mirror image of that shown;

FIG. 3 is a front elevational view thereof;

FIG. 4 is a rear elevational view thereof; and,

FIG. 5 is a top plan view thereof, the bottom being flat and unornamented.

- [56] **References Cited**
- U.S. PATENT DOCUMENTS**
- D. 257,140 9/1980 Groseclose D34/20
- 4,008,931 2/1977 Kennedy, Jr. et al. 312/250

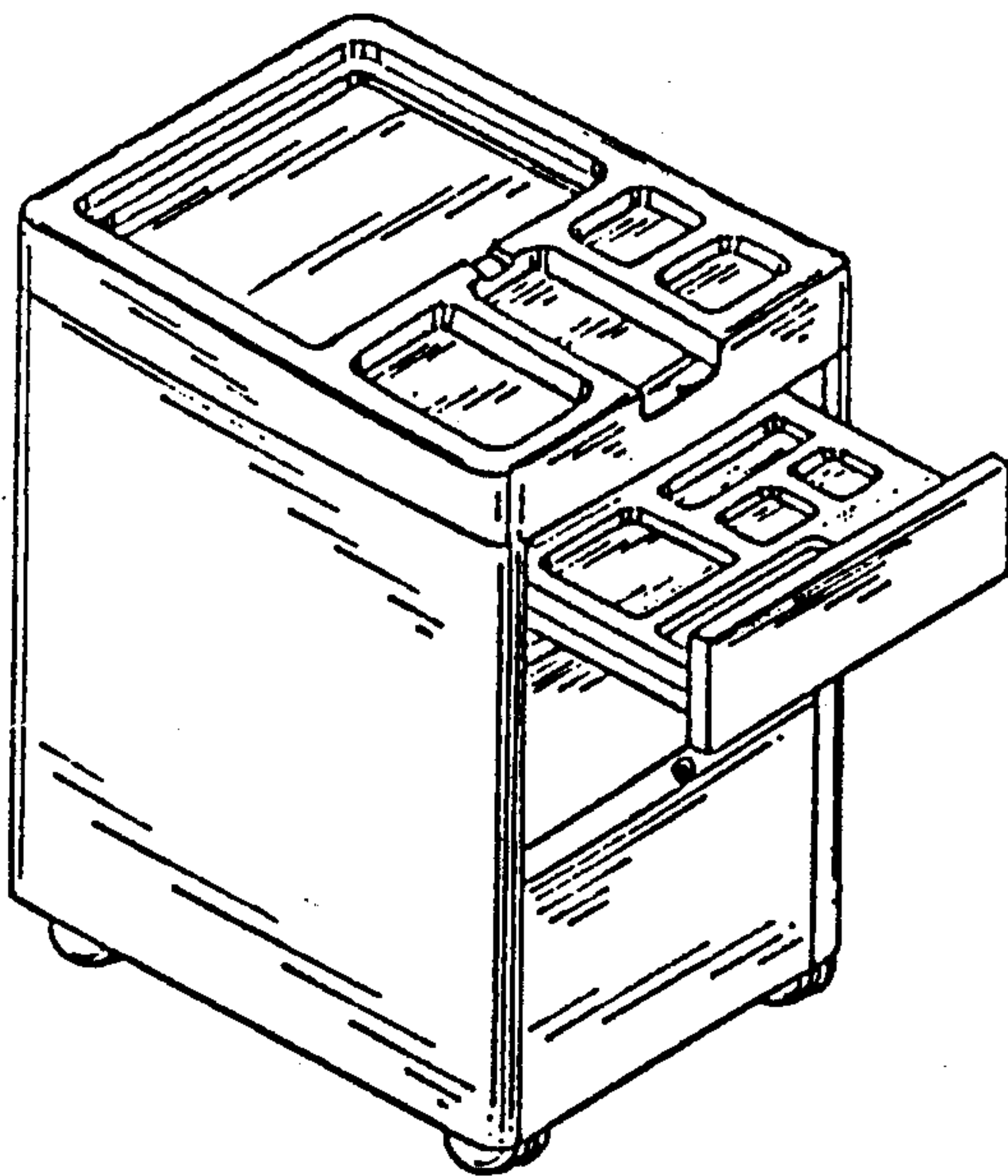


FIG. 1

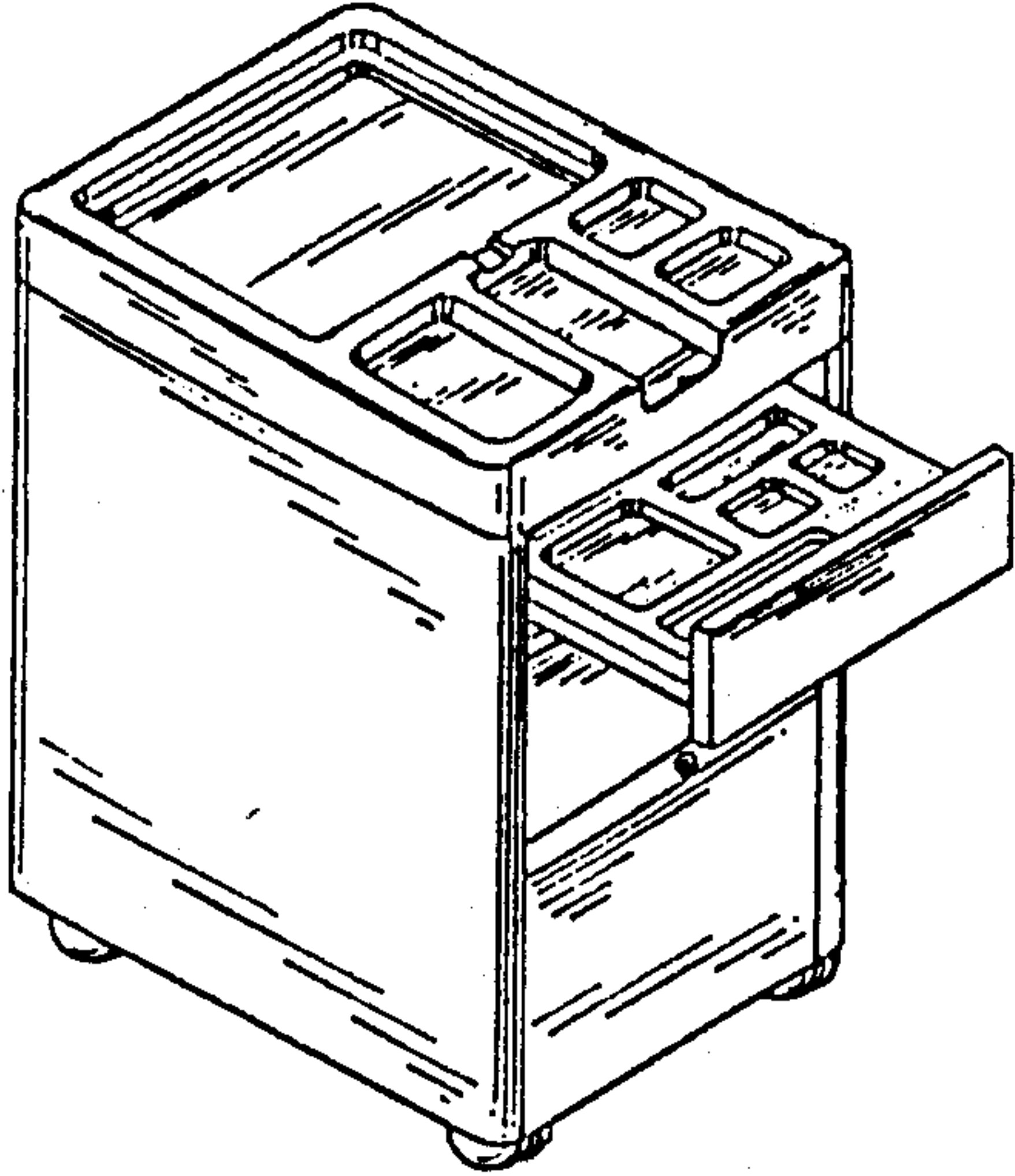


FIG. 3

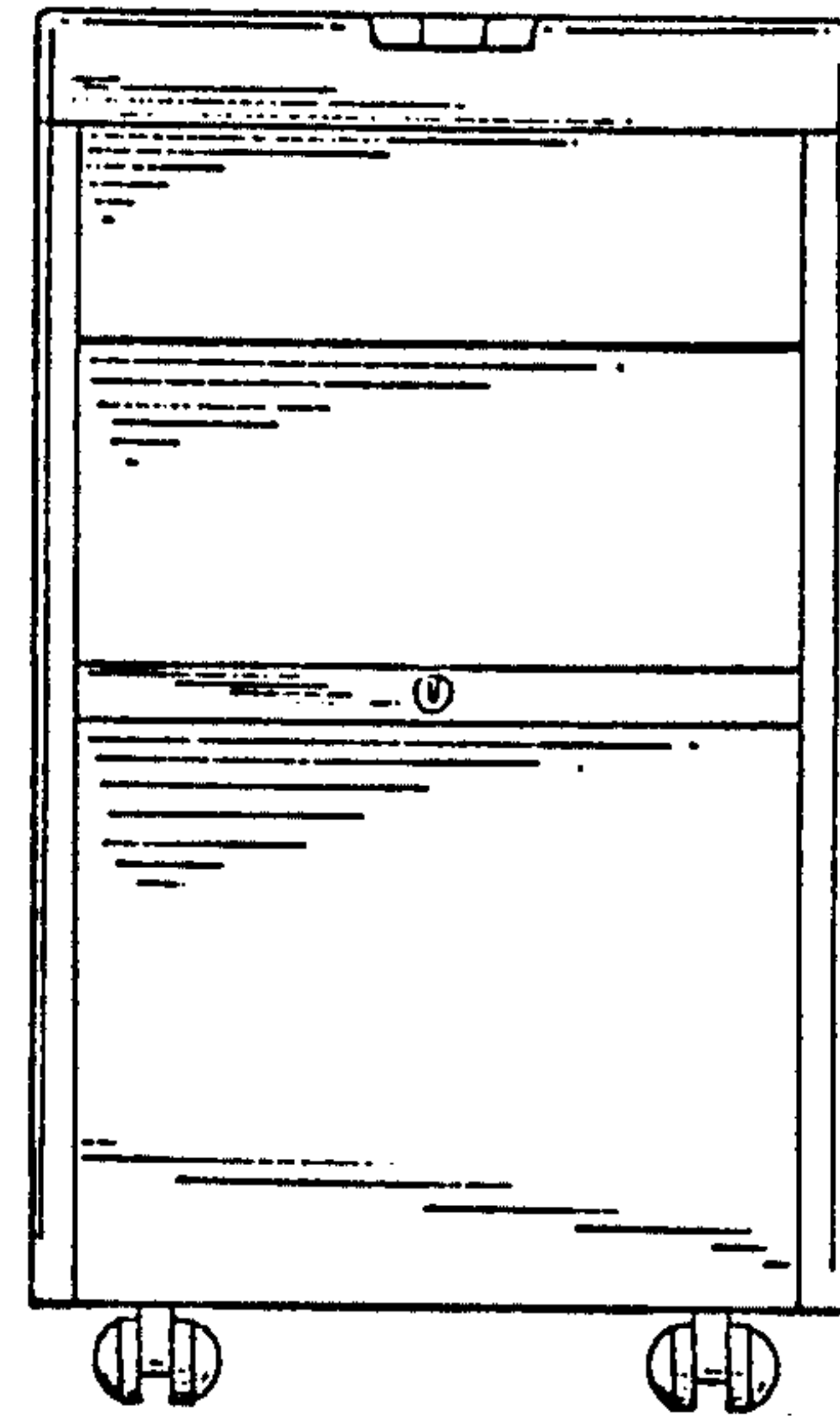


FIG. 2

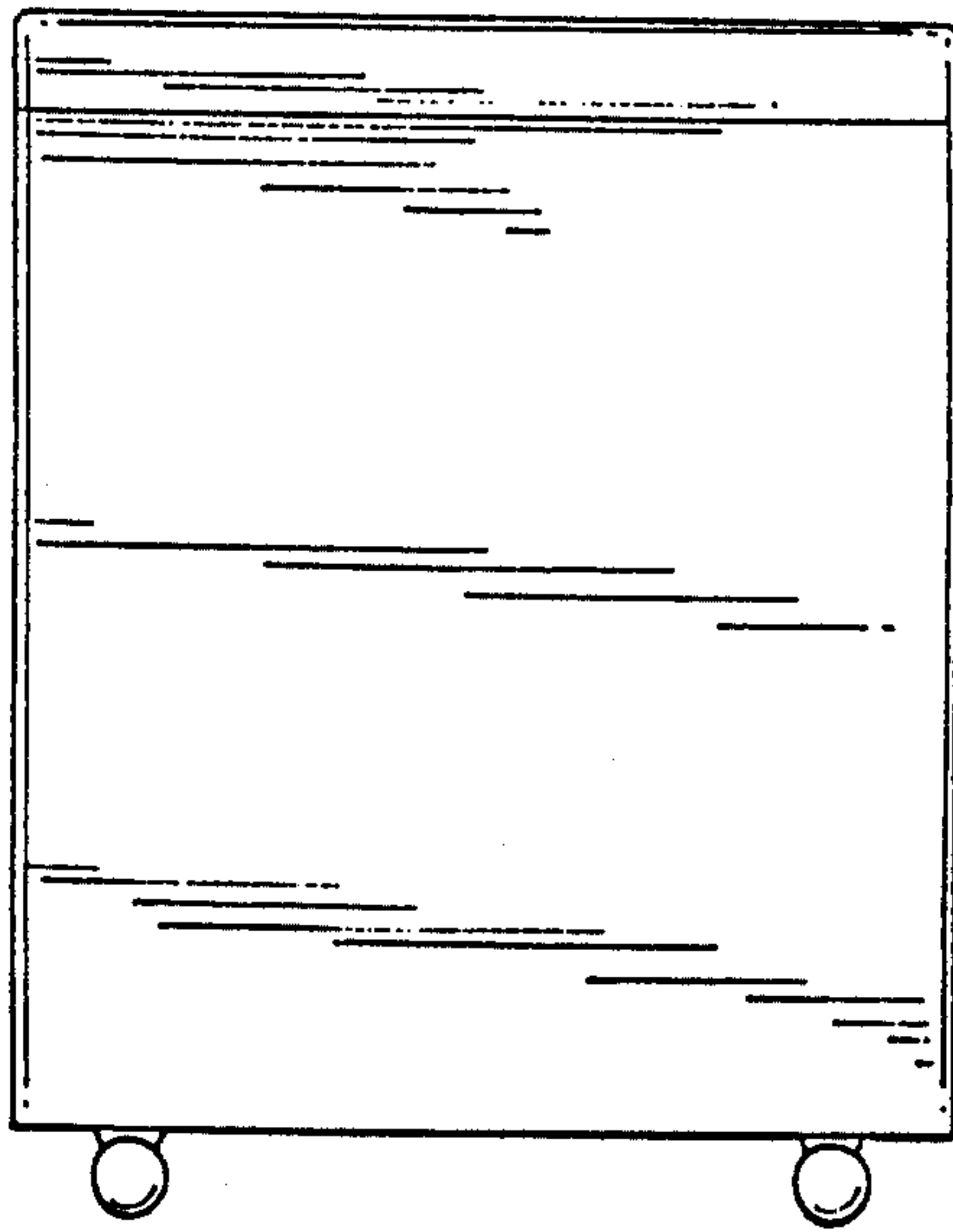


FIG. 4

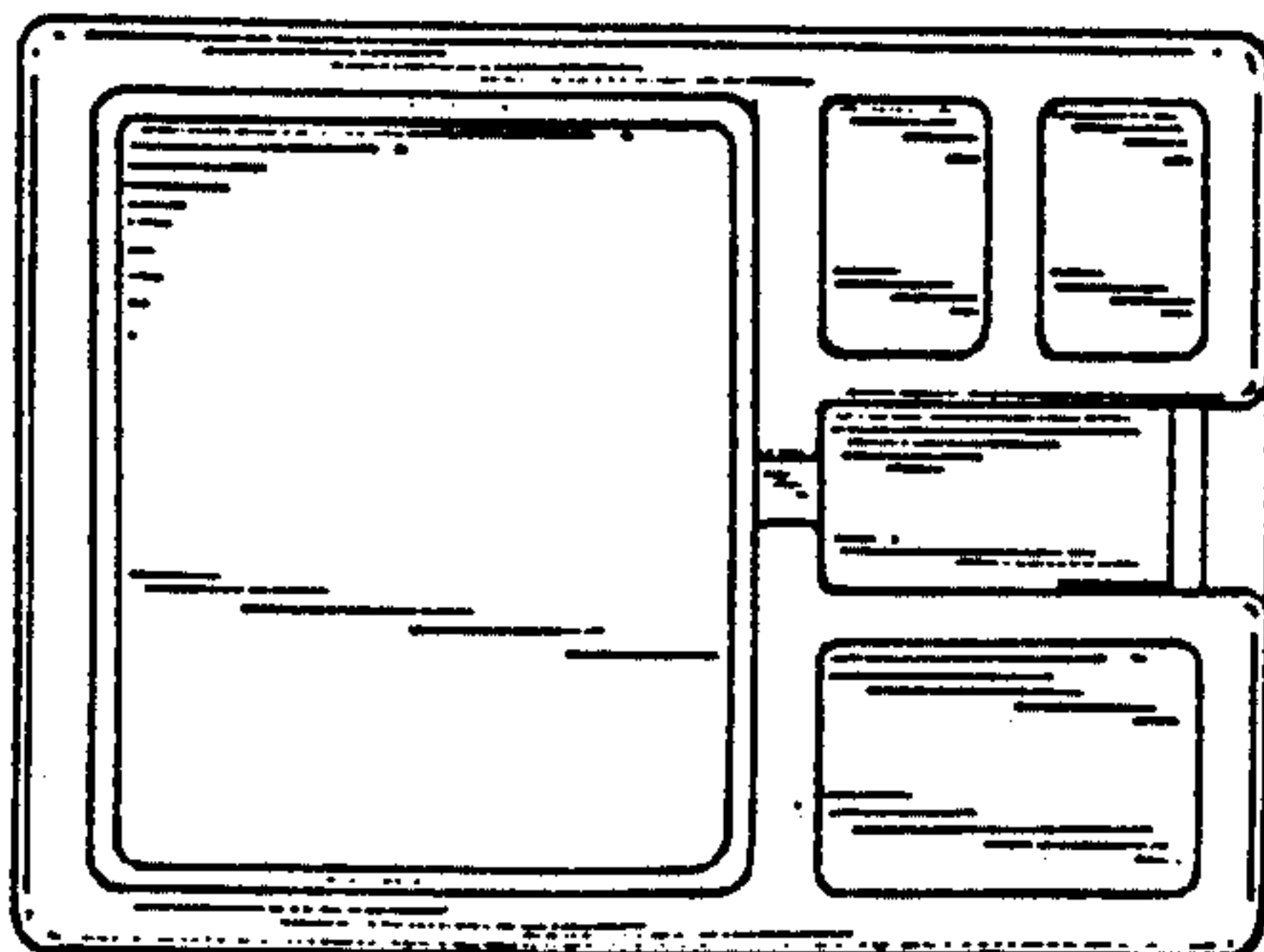
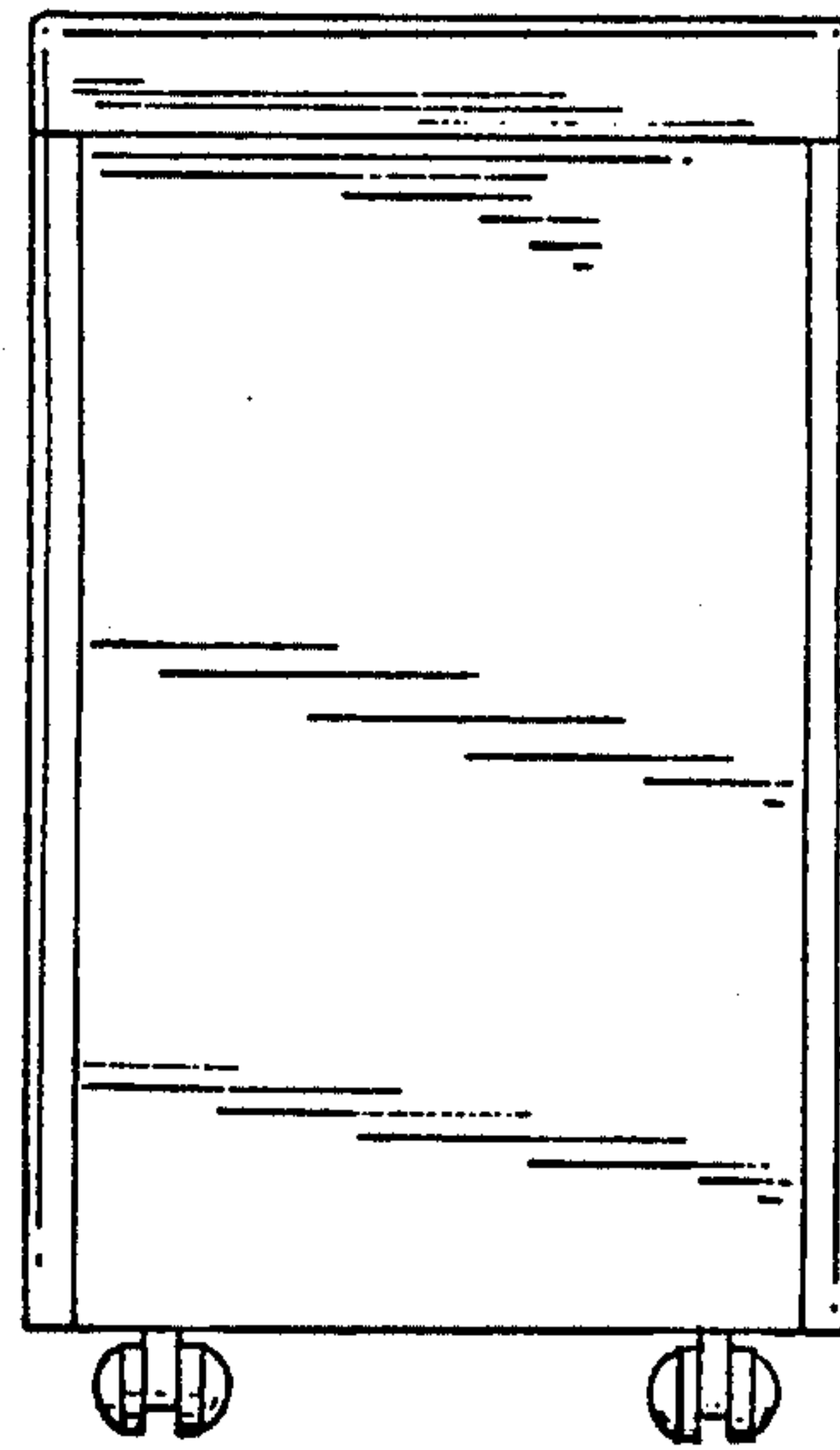


FIG. 5